



US00D847601S

(12) **United States Design Patent** (10) **Patent No.:** **US D847,601 S**
Dechant et al. (45) **Date of Patent:** **** May 7, 2019**

(54) **DRYWALLER'S UTILITY KNIFE**

(71) Applicant: **Fiskars Finland Oy Ab**, Helsinki (FI)

(72) Inventors: **Stephen P. Dechant**, Waunakee, WI (US); **Colin Roberts**, Waunakee, WI (US); **Steve Stokes**, Fitchburg, WI (US); **Aaron Honadel**, Verona, WI (US)

(73) Assignee: **Fiskars Finland Oy Ab**, Helsinki (FI)

(**) Term: **15 Years**

(21) Appl. No.: **29/604,276**

(22) Filed: **May 16, 2017**

(51) **LOC (11) Cl.** **08-03**

(52) **U.S. Cl.**
USPC **D8/95**

(58) **Field of Classification Search**
USPC D8/95, 96, 97, 98, 99, 100, 105, 107; D22/118
CPC .. B26B 1/08; B26B 5/00; B26B 5/001; B26B 5/002; B26B 5/003; B26B 5/006; B26B 1/00; B23D 51/01; B23D 51/10; B23D 49/14; B23D 49/10

See application file for complete search history.

5,584,123 A * 12/1996 Chi B23D 51/01 30/125

5,661,908 A * 9/1997 Chen B23D 51/01 30/125

D412,655 S 8/1999 Gilbert et al.

D414,670 S * 10/1999 Linden D8/95

D420,270 S 2/2000 Martone

6,158,616 A 12/2000 Huang

D439,492 S 3/2001 Martone et al.

D445,662 S 7/2001 Huang

D458,106 S 6/2002 Chong

D462,861 S 9/2002 Schmidt

6,449,850 B1 9/2002 Gilbert

6,467,173 B1 * 10/2002 Umstead B23D 51/01 30/144

6,598,761 B1 7/2003 Chou

6,789,326 B1 * 9/2004 Huang B23D 51/01 30/162

D510,010 S 9/2005 Brown et al.

(Continued)

Primary Examiner — Philip S Hyder
 (74) *Attorney, Agent, or Firm* — Foley & Lardner LLP

(57) **CLAIM**
 We claim the ornamental design for a drywaller's utility knife, as shown and described.

DESCRIPTION

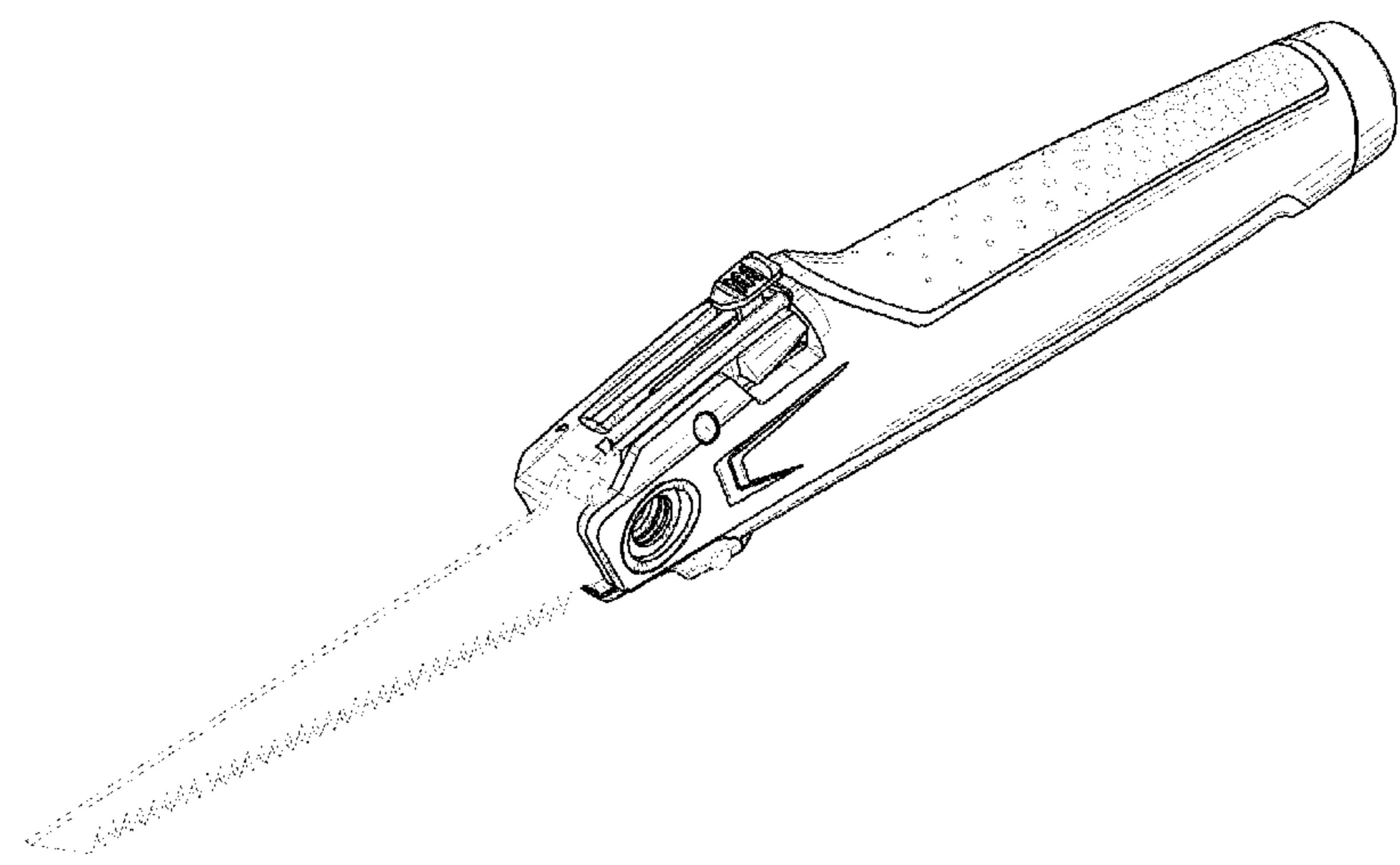
FIG. 1 is a top perspective view of an embodiment of the claimed design;
 FIG. 2 is a front view thereof;
 FIG. 3 is a rear view thereof;
 FIG. 4 is a left side view thereof;
 FIG. 5 is a right side view thereof;
 FIG. 6 is a top view thereof;
 FIG. 7 is a bottom view thereof; and,
 FIG. 8 is a bottom perspective view thereof.
 The broken lines depict portions of the drywaller's utility knife in which the design is embodied that are not considered part of the claimed design.

1 Claim, 5 Drawing Sheets

(56) **References Cited**

U.S. PATENT DOCUMENTS

3,650,433	A	3/1972	Robertson	
D224,290	S	7/1972	Roberston	
4,379,514	A	4/1983	Joffe	
4,660,284	A *	4/1987	Decarolis B23D 49/14 30/157
4,789,080	A	12/1988	Iten	
D299,413	S *	1/1989	DeCarolis D8/107
4,850,512	A	7/1989	Vujovich	
4,936,014	A	6/1990	Shaanan et al.	
5,251,783	A	10/1993	Gringer	



(56)

References Cited

U.S. PATENT DOCUMENTS

D511,447 S	11/2005	Brown et al.	D686,481 S	7/2013	Robinson et al.
D525,104 S	7/2006	Samberg	8,539,680 B2	9/2013	Strauss
7,093,367 B1 *	8/2006	Huang B23D 51/01	D705,033 S	5/2014	Dahlberg et al.
			D720,628 S	1/2015	Erdmann
			D731,280 S	6/2015	Dahlberg et al.
			D731,281 S	6/2015	Dahlberg et al.
			D731,282 S	6/2015	Dahlberg et al.
			D731,283 S	6/2015	Dahlberg et al.
D527,602 S *	9/2006	Axon D8/95	D731,870 S	6/2015	Dahlberg et al.
D536,624 S	2/2007	Novak et al.	D735,552 S	8/2015	Hung
D551,933 S	10/2007	Guo	D738,182 S	9/2015	Parker et al.
D553,936 S	10/2007	Takamasa	9,162,811 B2	10/2015	Schneider et al.
D554,774 S	11/2007	Antonic	D751,883 S	3/2016	Huang et al.
D558,555 S	1/2008	Huang	D756,191 S	5/2016	Horovitz et al.
D560,462 S	1/2008	Takamasa	D767,915 S	10/2016	Held
D560,999 S	2/2008	Ping	D793,198 S	8/2017	Wang
D564,328 S	3/2008	Smith	2003/0085236 A1	5/2003	Schmidt
D565,919 S	4/2008	Kondo et al.	2004/0099682 A1	5/2004	Huang
D572,107 S	7/2008	Maraia et al.	2004/0178214 A1	9/2004	Wei
7,516,550 B2 *	4/2009	Hagan B23D 51/01	2006/0272157 A1	12/2006	Zeng
			2016/0304269 A1	10/2016	Erdmann et al.
			2017/0021511 A1	1/2017	Chiu
D596,915 S	7/2009	Garcia et al.	2017/0174412 A1	6/2017	Wonderley et al.
D602,326 S	10/2009	Garcia et al.	2018/0021964 A1	1/2018	Rohrbach
D603,680 S	11/2009	Wu			
7,797,835 B2	9/2010	Zeng			
D624,833 S	10/2010	Van Deursen			

* cited by examiner

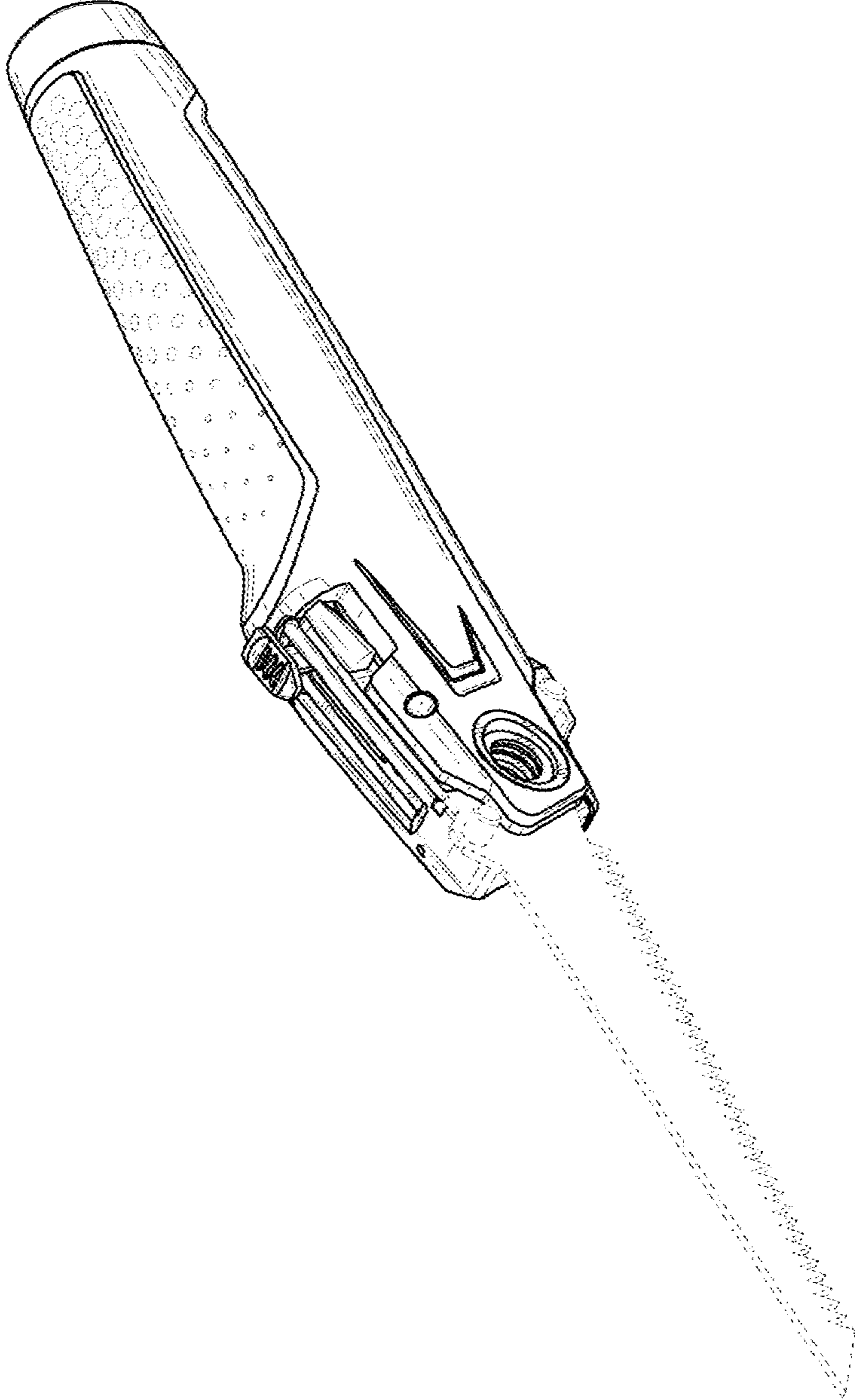


FIG. 1

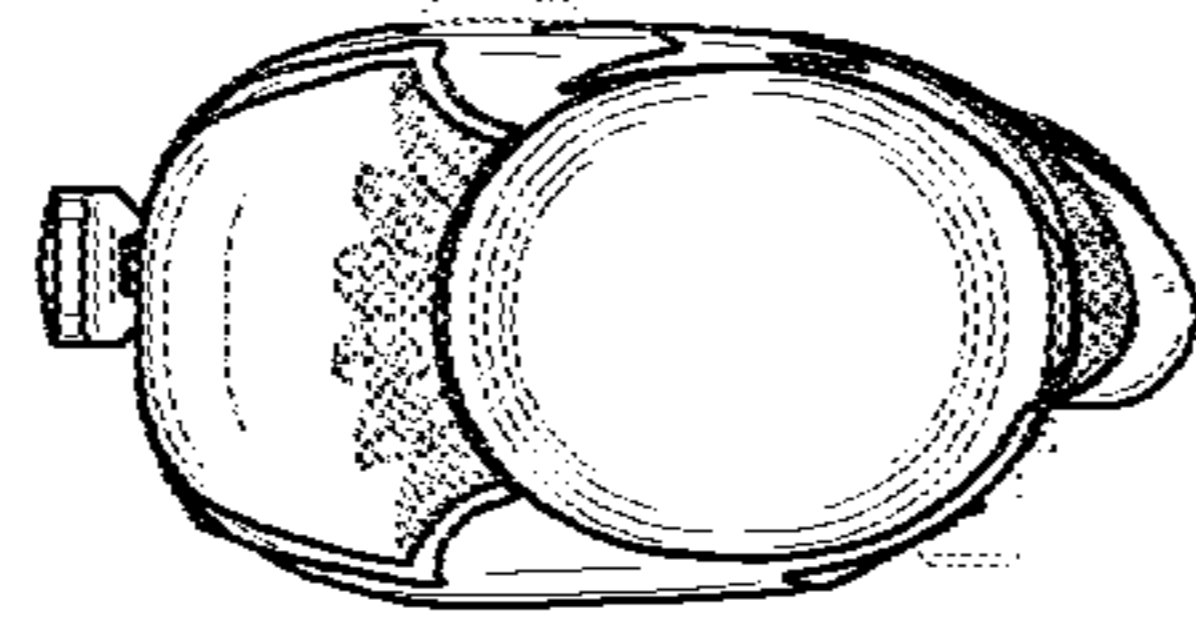


FIG. 3

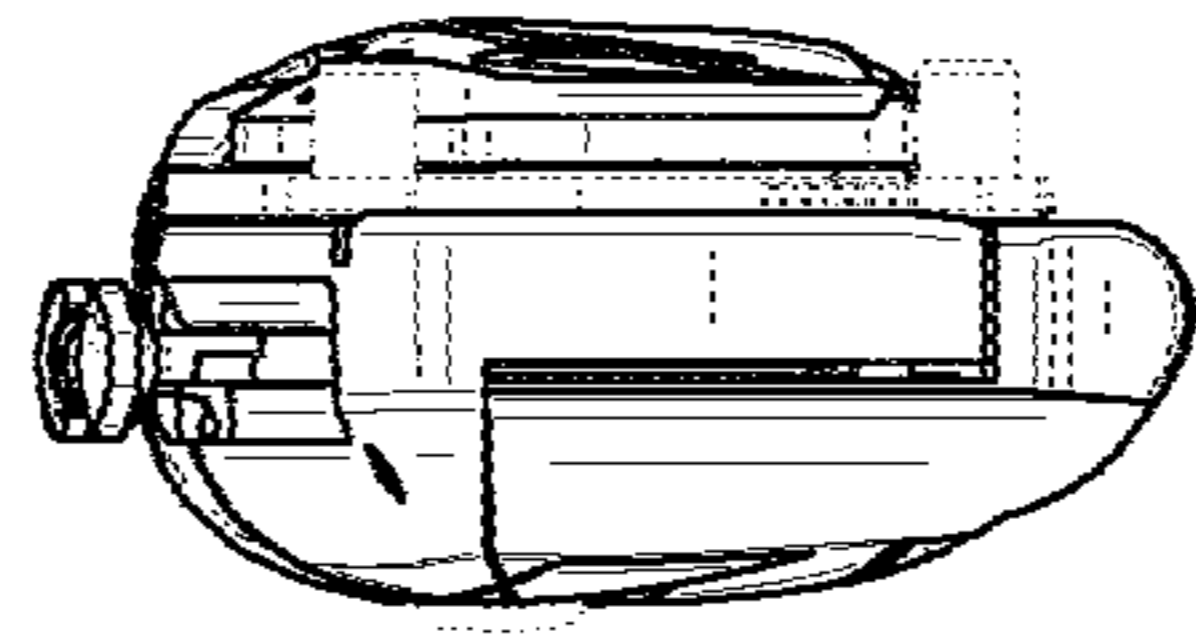


FIG. 2

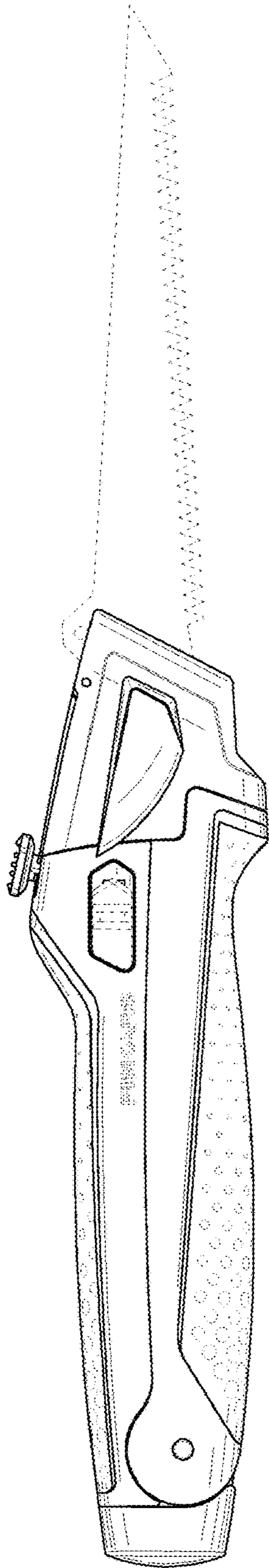


FIG. 4

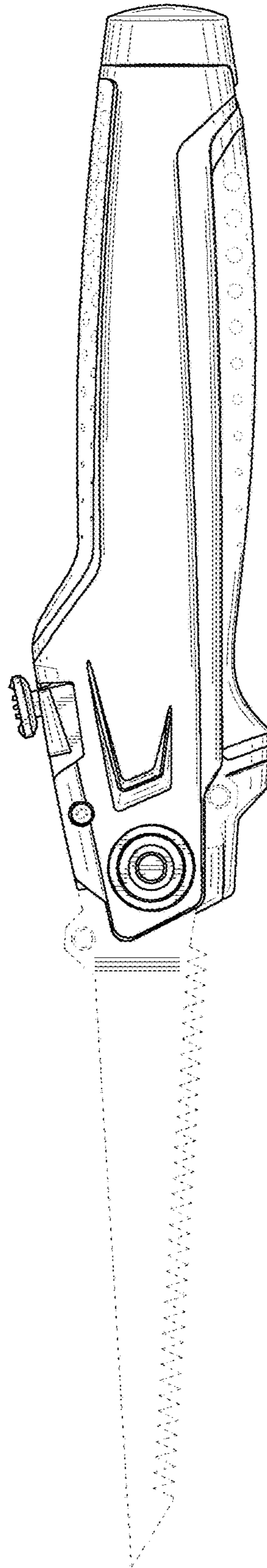


FIG. 5

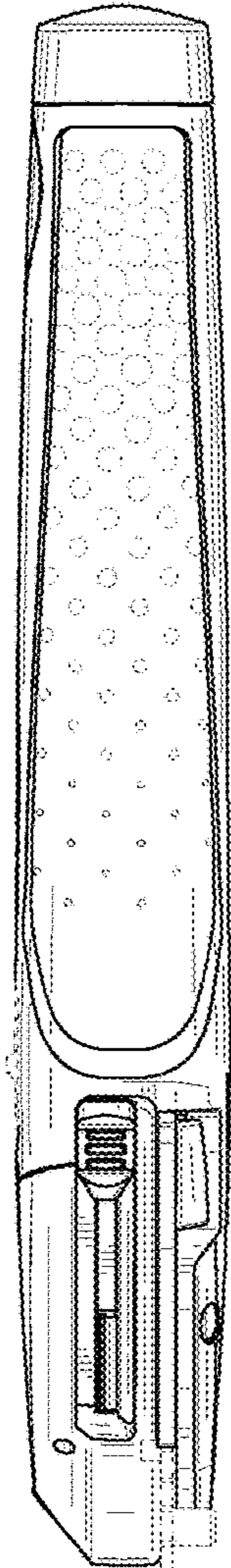


FIG. 6

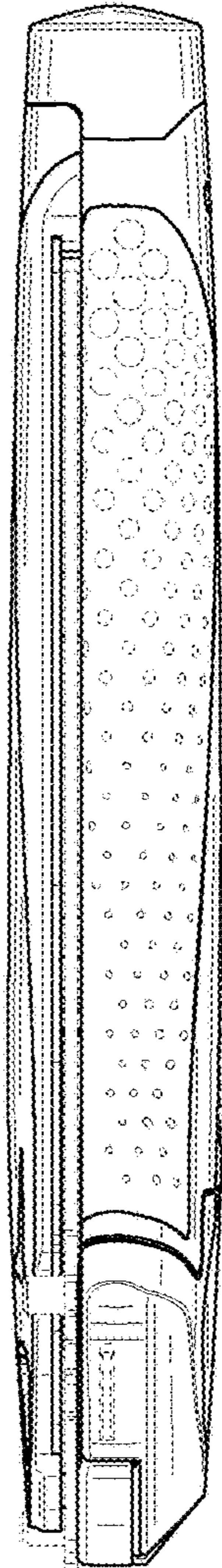


FIG. 7

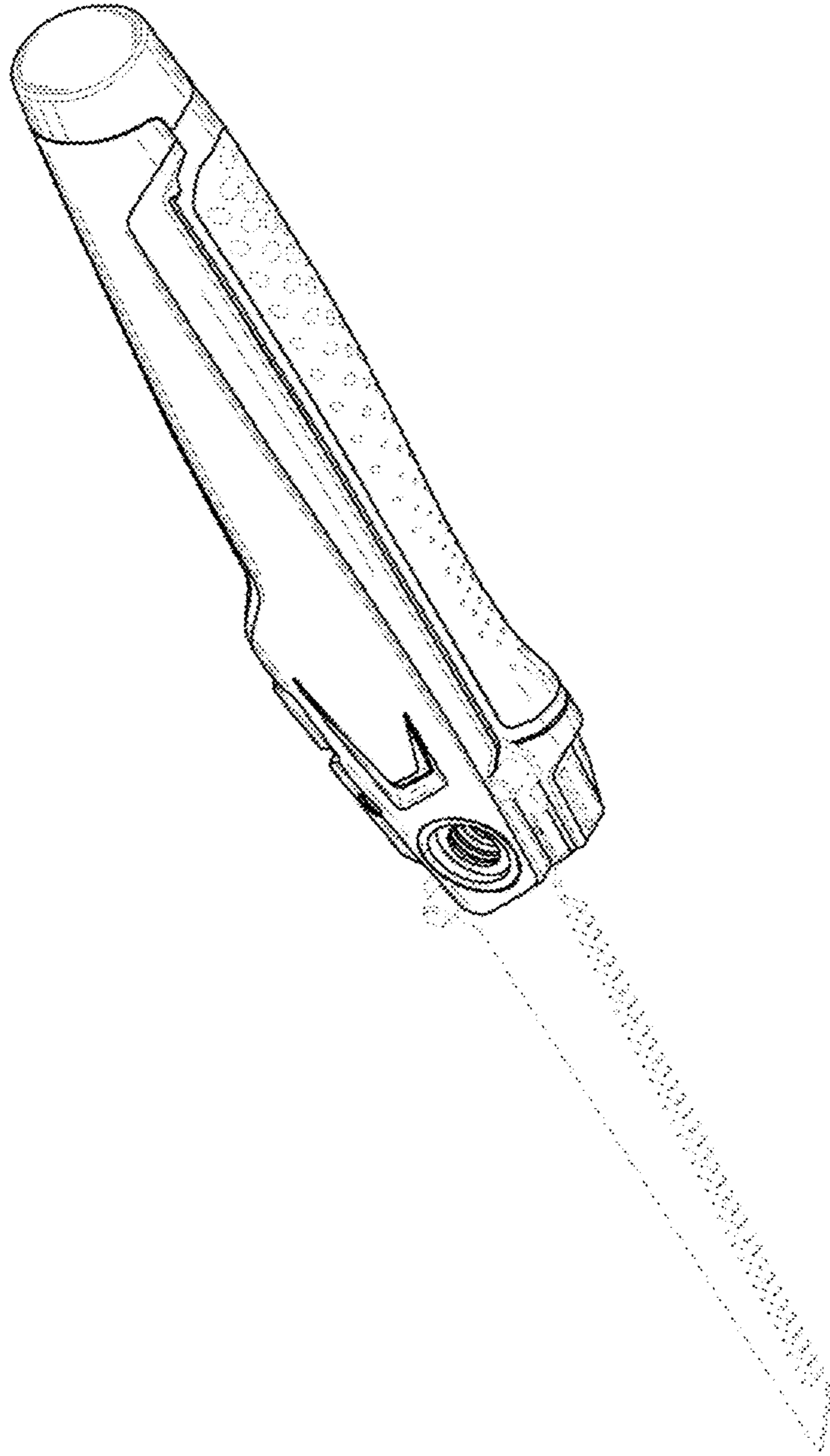


FIG. 8