



US00D847599S

(12) **United States Design Patent**
Chiang

(10) **Patent No.:** **US D847,599 S**

(45) **Date of Patent:** **** May 7, 2019**

(54) **OPEN-PASS RJ45 MODULAR PLUG CRIMPER**

(71) Applicant: **Hanlong Industrial Co., Ltd.**, New Taipei (TW)

(72) Inventor: **Wan-Yu Chiang**, New Taipei (TW)

(73) Assignee: **Hanlong Industrial Co., Ltd.**, New Taipei (TW)

(**) Term: **15 Years**

(21) Appl. No.: **29/632,380**

(22) Filed: **Jan. 8, 2018**

(51) **LOC (11) Cl.** **08-05**

(52) **U.S. Cl.**
USPC **D8/52; D8/56**

(58) **Field of Classification Search**
USPC D8/4, 5, 14, 51-60, 105
CPC Y10T 29/53226
See application file for complete search history.

(56) **References Cited**

U.S. PATENT DOCUMENTS

D179,678 S *	2/1957	Demler	D8/52
4,480,374 A *	11/1984	Meyer	H01R 43/015 29/33 M
D278,876 S *	5/1985	Meyer	D8/52
4,862,580 A *	9/1989	Wang	B25B 27/146 29/566.4
6,230,387 B1 *	5/2001	Gritters	B25B 27/146 29/566.4
6,792,635 B2 *	9/2004	Yen	B25B 27/146 140/106

9,059,573 B2 *	6/2015	Hedrick	H01R 43/0421
D740,095 S *	10/2015	Battenfeld	D8/52
D759,452 S *	6/2016	Persson	D8/52
D778,133 S *	2/2017	Steiner	D8/52
2003/0066136 A1 *	4/2003	Lu	H01R 43/042 7/107
2005/0086993 A1 *	4/2005	Wang	H01R 43/0421 72/409.16
2010/0062657 A1 *	3/2010	Huang	H01R 43/042 439/676
2012/0204413 A1 *	8/2012	Hedrick	H01R 43/0421 29/566.4
2017/0373453 A1 *	12/2017	Liao	H01R 43/042

* cited by examiner

Primary Examiner — Deanna L Pratt

(74) *Attorney, Agent, or Firm* — Alan D. Kamrath;
Kamrath IP Lawfirm, P.A.

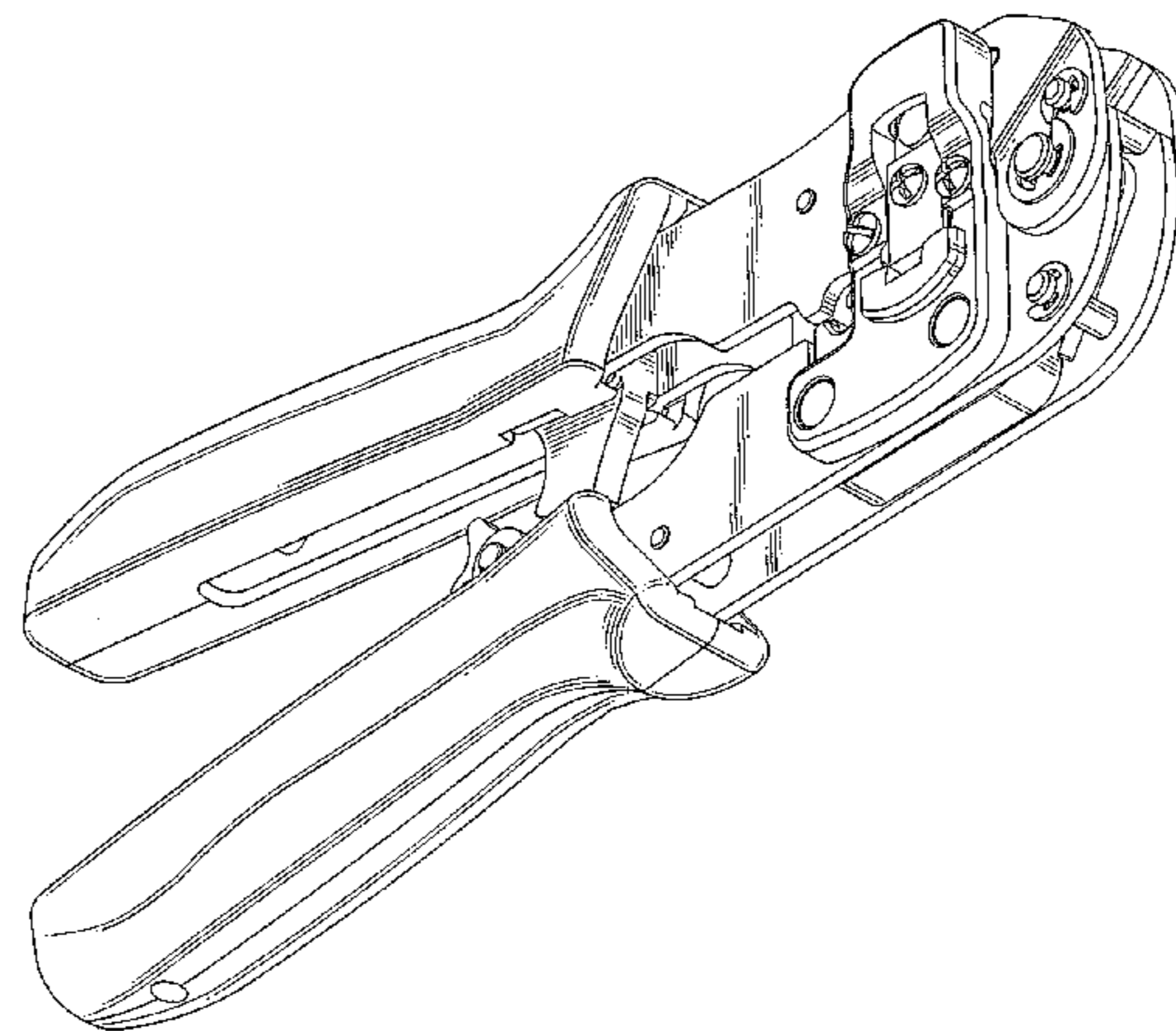
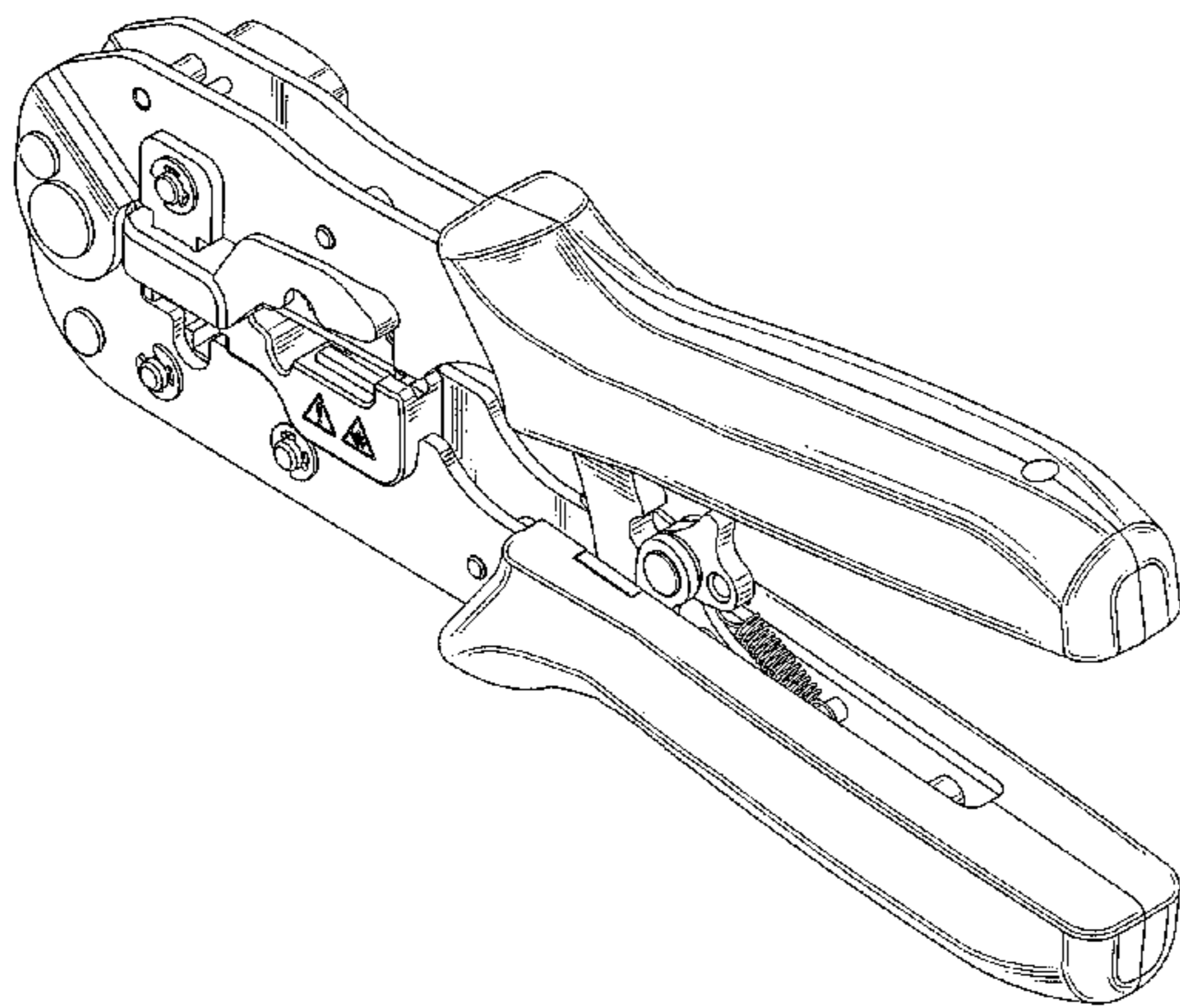
(57) **CLAIM**

The ornamental design for an open-pass RJ45 modular plug crimper, as shown and described.

DESCRIPTION

FIG. 1 is a perspective view of an open-pass RJ45 modular plug crimper in accordance with the design;
FIG. 2 is a front view thereof;
FIG. 3 is a rear view thereof;
FIG. 4 is a left view thereof;
FIG. 5 is a right view thereof;
FIG. 6 is a top view thereof;
FIG. 7 is a bottom view thereof; and,
FIG. 8 is another perspective view thereof.

1 Claim, 6 Drawing Sheets



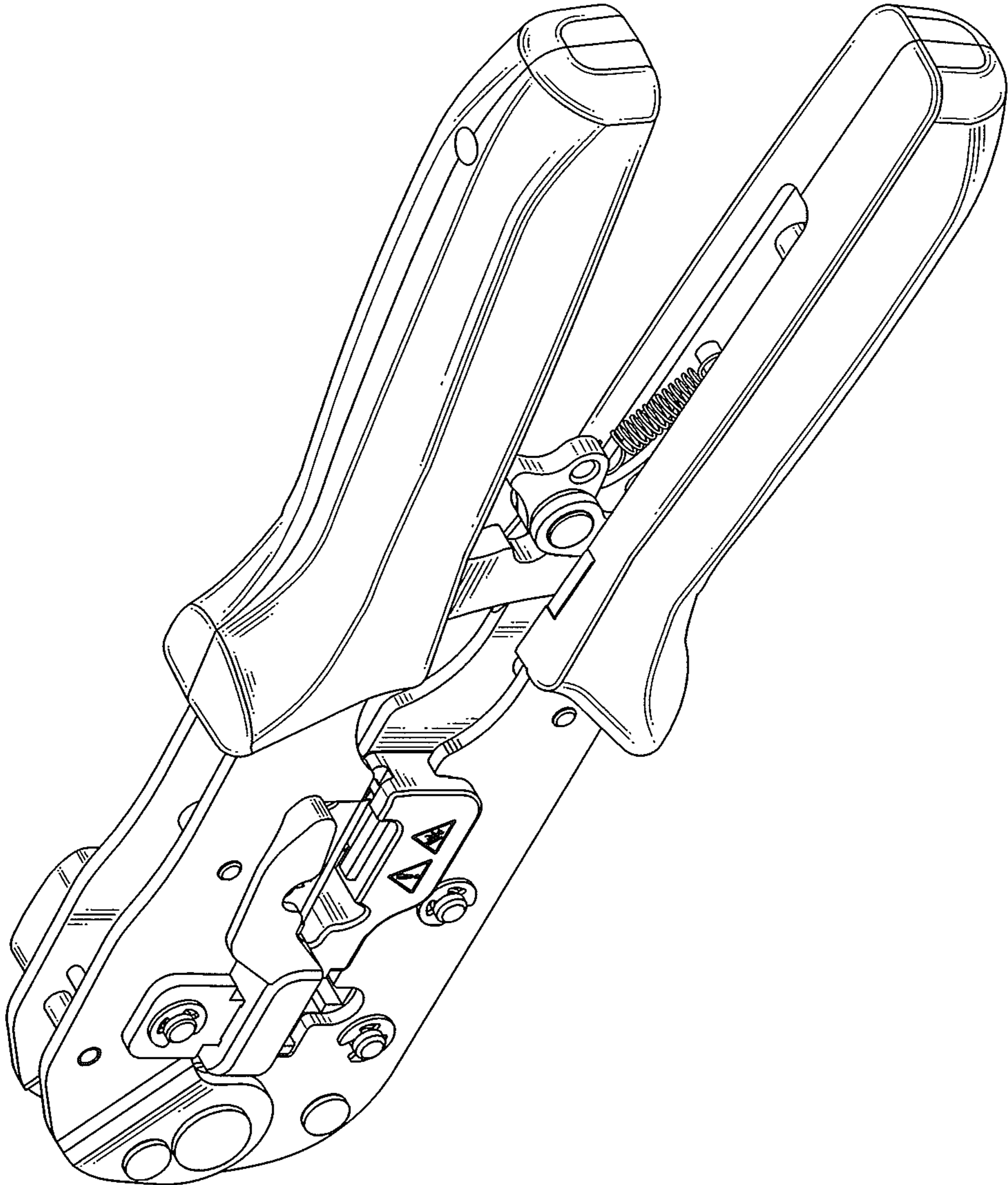


FIG. 1

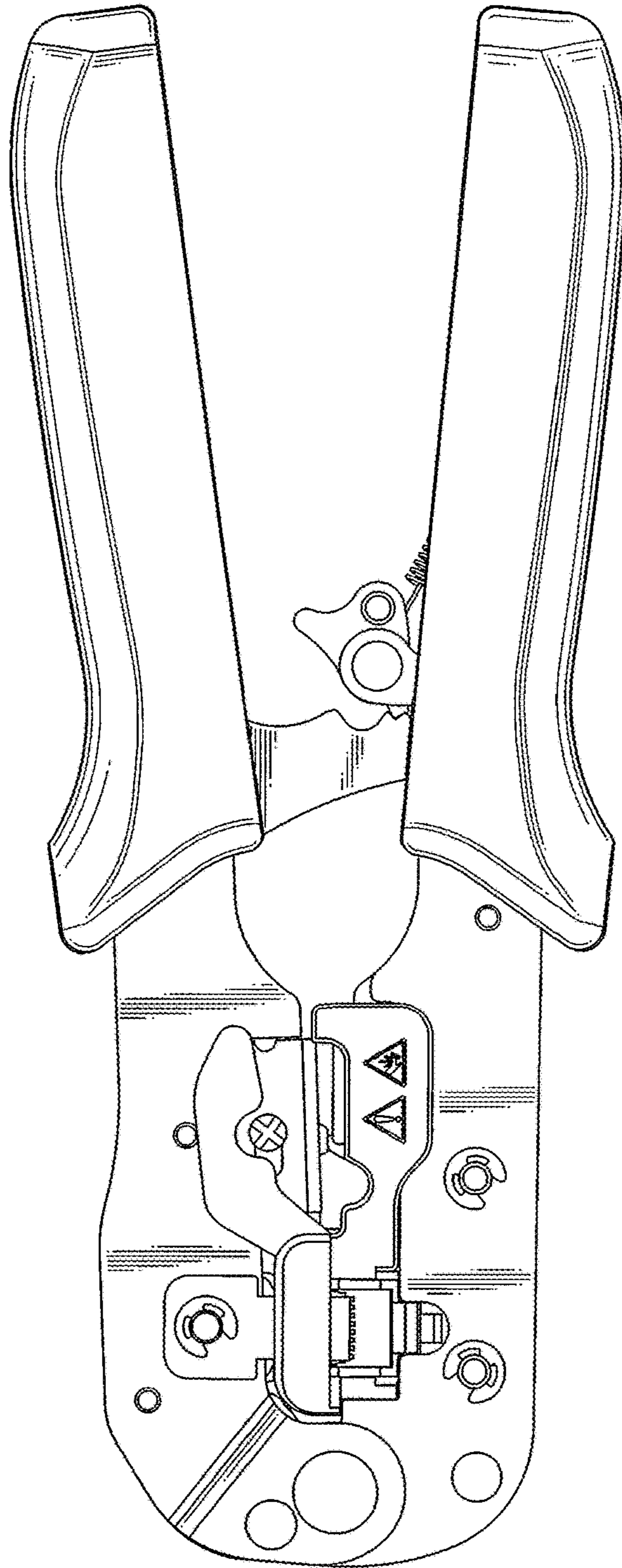


FIG. 2

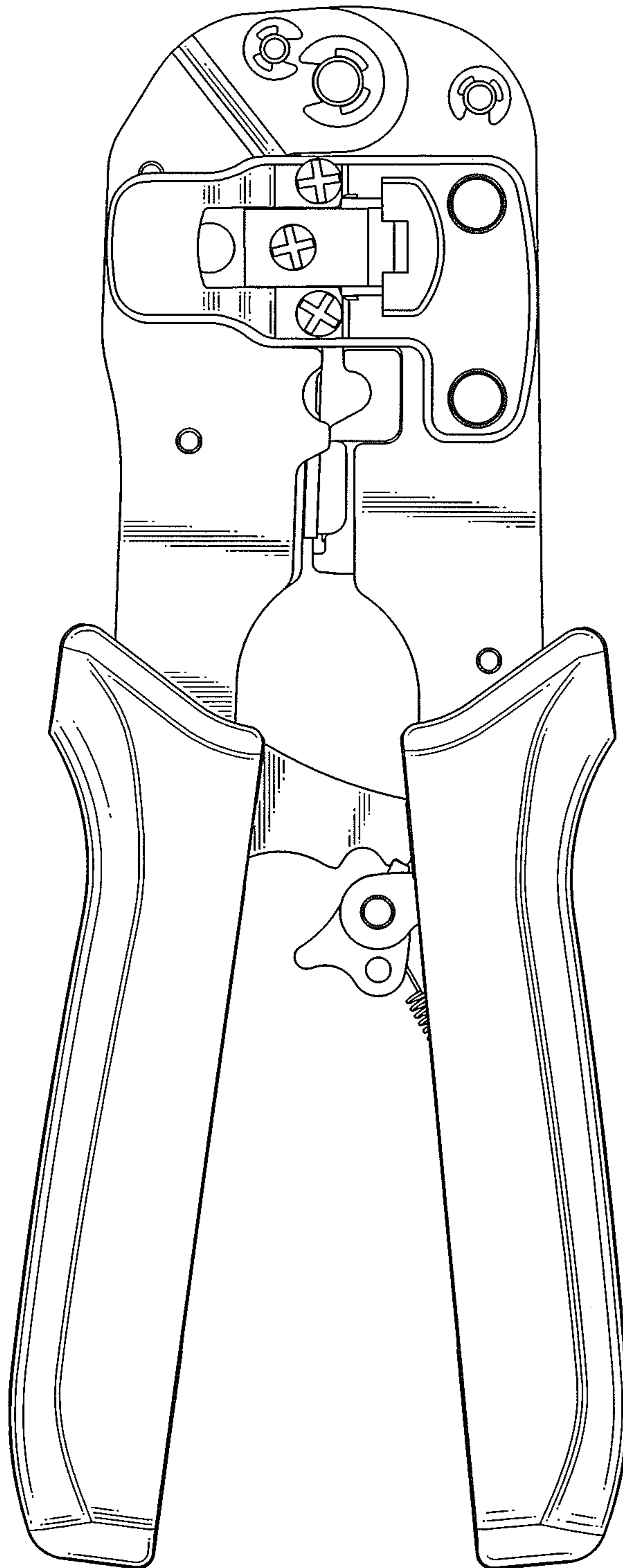


FIG. 3

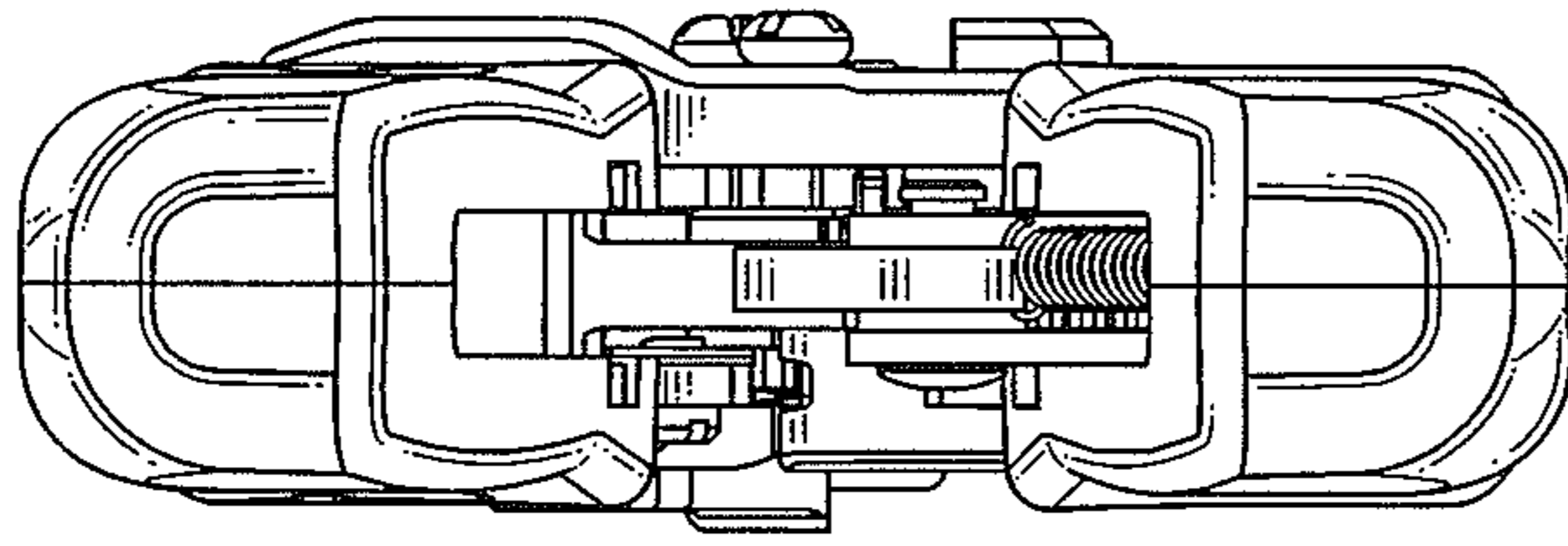


FIG. 5

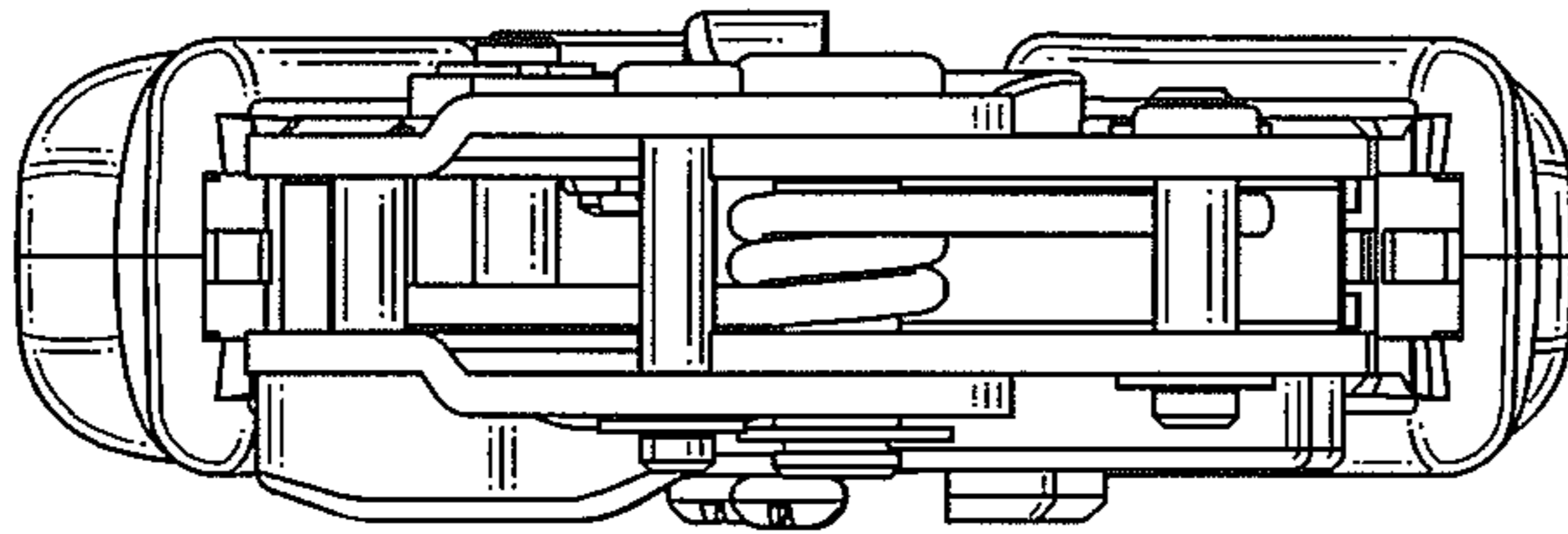


FIG. 4

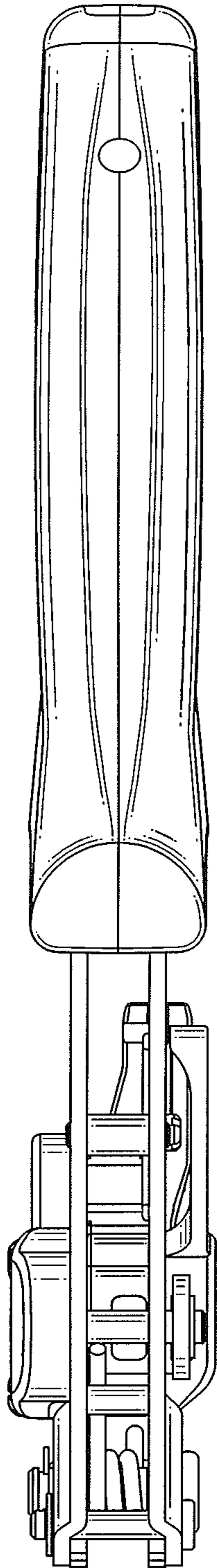


FIG. 6

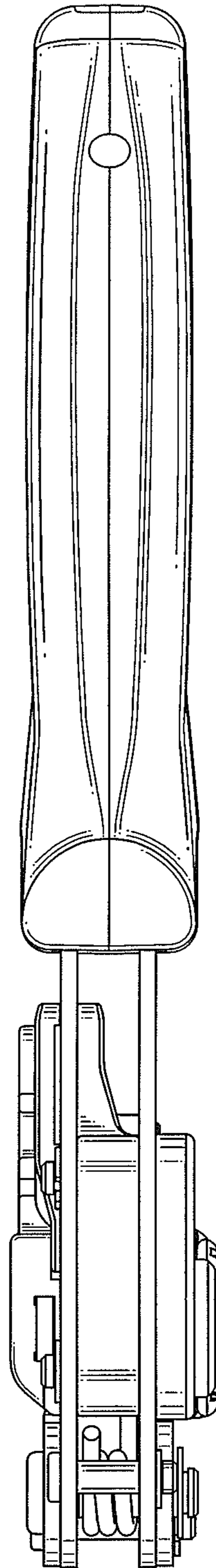


FIG. 7

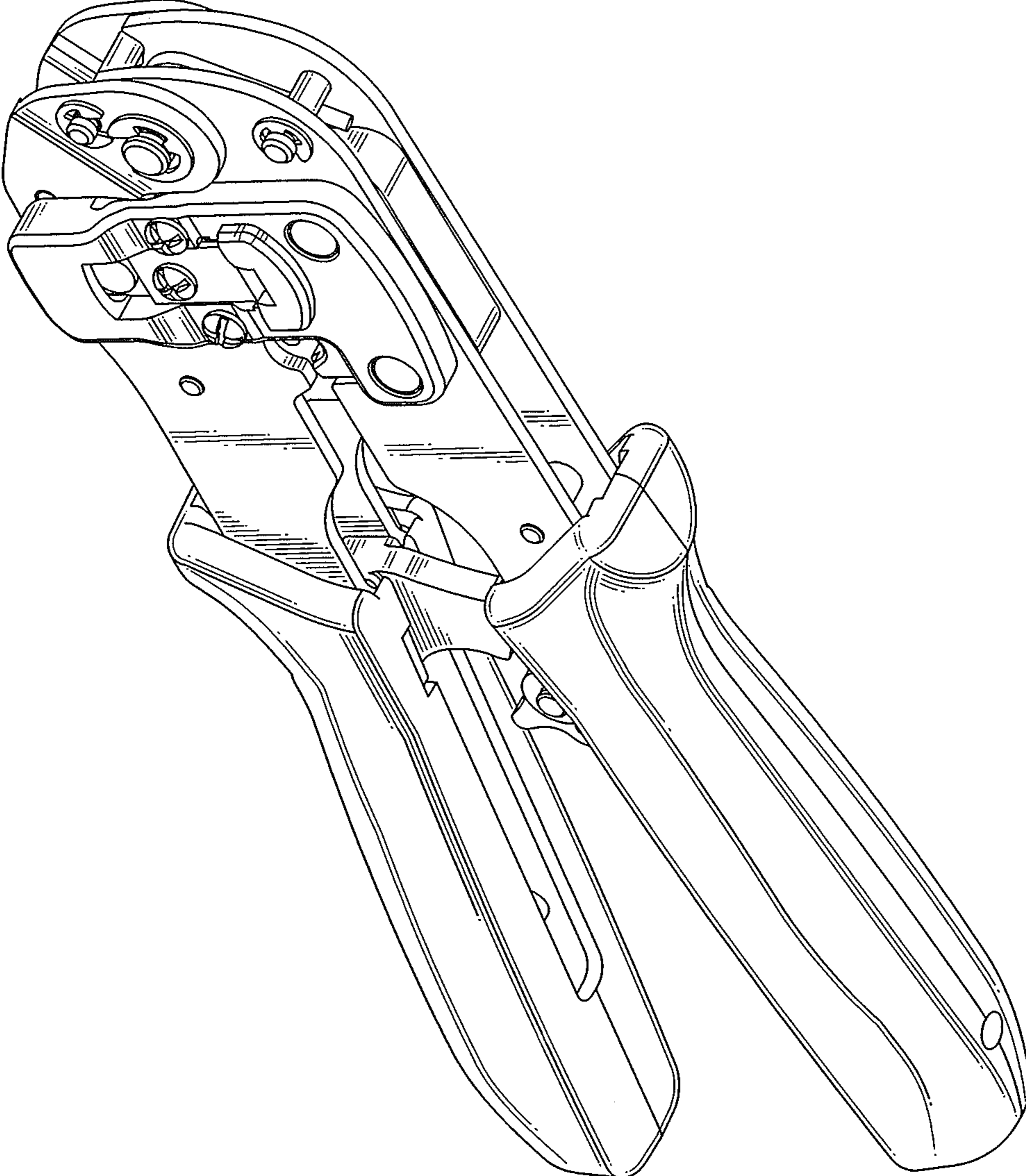


FIG. 8