

US00D847598S

(12) **United States Design Patent** (10) **Patent No.:** **US D847,598 S**
Malcolm (45) **Date of Patent:** **** May 7, 2019**

- (54) **FIBER-RESIN COMPOSITE BOLT CUTTER**
- (71) Applicant: **Roger J. Malcolm**, San Clemente, CA (US)
- (72) Inventor: **Roger J. Malcolm**, San Clemente, CA (US)
- (**) Term: **15 Years**
- (21) Appl. No.: **29/562,350**
- (22) Filed: **Apr. 25, 2016**

D416,458 S *	11/1999	Kun-Meng	D8/52
6,038,735 A *	3/2000	Chang	B25F 1/003
				16/110.1
D628,036 S *	11/2010	Steiner	D8/52
D633,764 S *	3/2011	Malcolm	D8/52
D668,126 S *	10/2012	Malcolm	D8/52
D684,831 S *	6/2013	Malcolm	D8/20
D754,500 S *	4/2016	Malcolm	D8/20
D784,102 S *	4/2017	Honadel	D8/52
2011/0083327 A1 *	4/2011	Poole	B26B 17/02
				30/192
2013/0213202 A1 *	8/2013	Crainich	A61B 17/8863
				83/51

* cited by examiner

Related U.S. Application Data

- (60) Division of application No. 29/450,315, filed on Mar. 15, 2013, now Pat. No. Des. 754,500, which is a continuation-in-part of application No. 29/411,262, filed on Jan. 18, 2012, now Pat. No. Des. 684,831, which is a division of application No. 29/386,284, filed on Feb. 27, 2011, now Pat. No. Des. 668,126, which is a division of application No. 29/336,879, filed on May 11, 2009, now Pat. No. Des. 633,764.

Primary Examiner — Sandra S Snapp

Assistant Examiner — Ieisha N Price

(74) *Attorney, Agent, or Firm* — Charmasson, Buchaca & Leach, LLP

- (51) **LOC (11) Cl.** **08-05**
- (52) **U.S. Cl.**
USPC **D8/52**

(57) **CLAIM**

The ornamental design for a fiber-resin composite bolt cutter, as shown and described.

- (58) **Field of Classification Search**
USPC D8/4, 5, 20, 51, 52, 54, 60
CPC B26B 17/02; B26B 17/00; B23D 29/00;
B23D 29/02
See application file for complete search history.

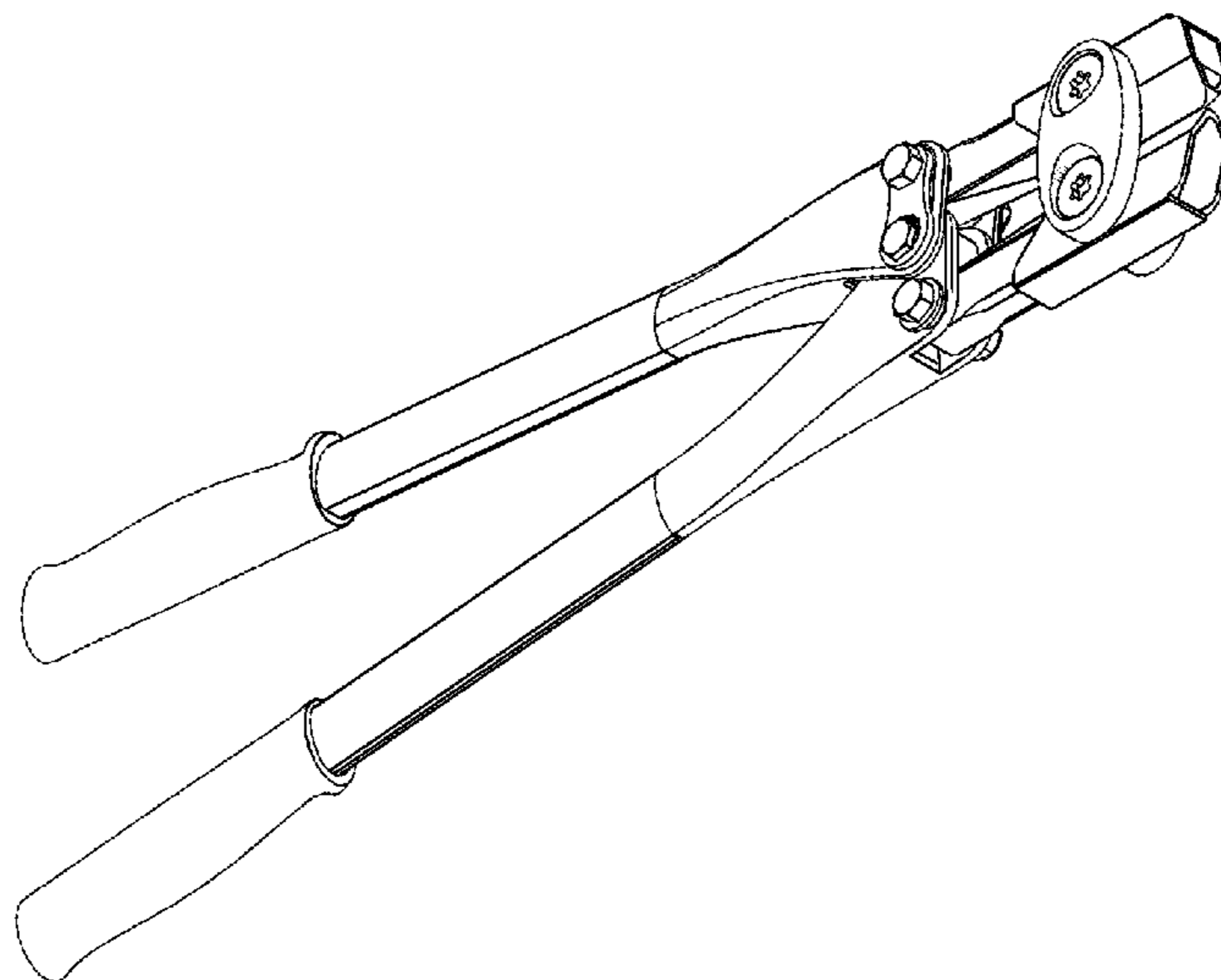
DESCRIPTION

FIG. 1 is a top, back, left side perspective view of a fiber-resin composite bolt cutter showing my new design. FIG. 2 is a bottom, front, right side perspective view thereof. FIG. 3 is a right side elevation view thereof. FIG. 4 is a top plan view thereof; and, FIG. 5 is a back elevation view thereof.

- (56) **References Cited**
U.S. PATENT DOCUMENTS

1 Claim, 2 Drawing Sheets

1,972,515 A *	9/1934	Eyre	B26B 17/02
				30/193
D211,262 S *	6/1968	Theobald	D8/90



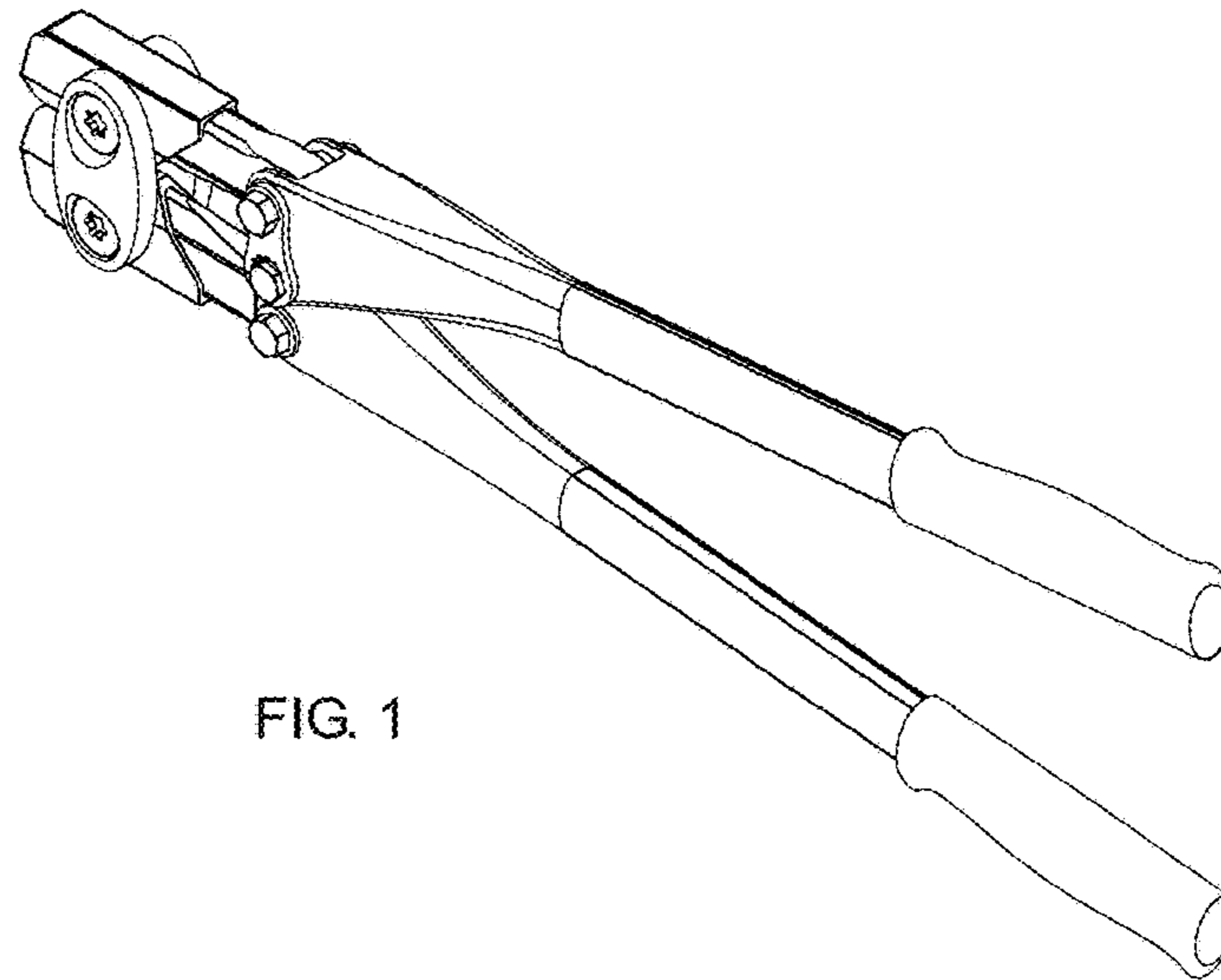


FIG. 1

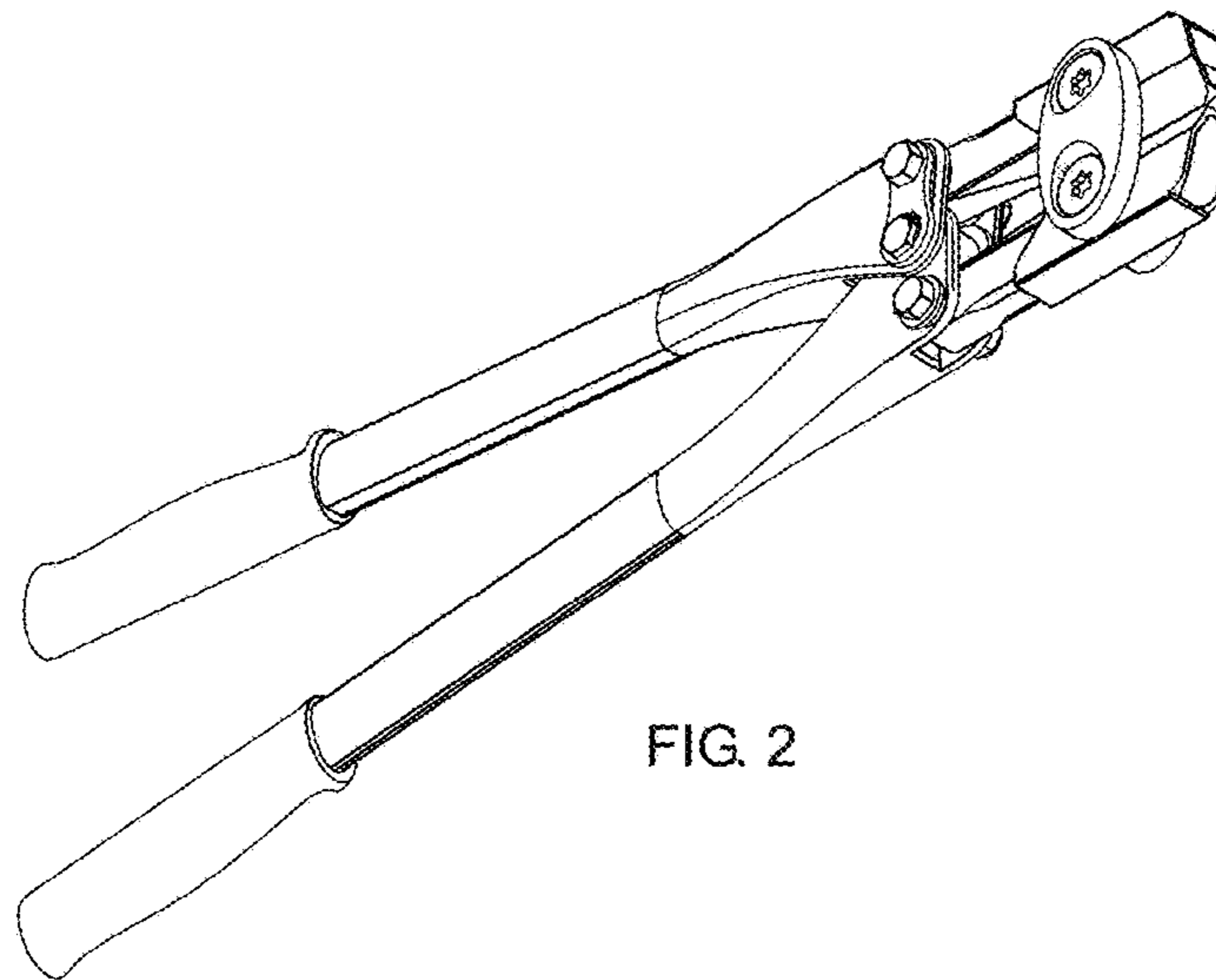


FIG. 2

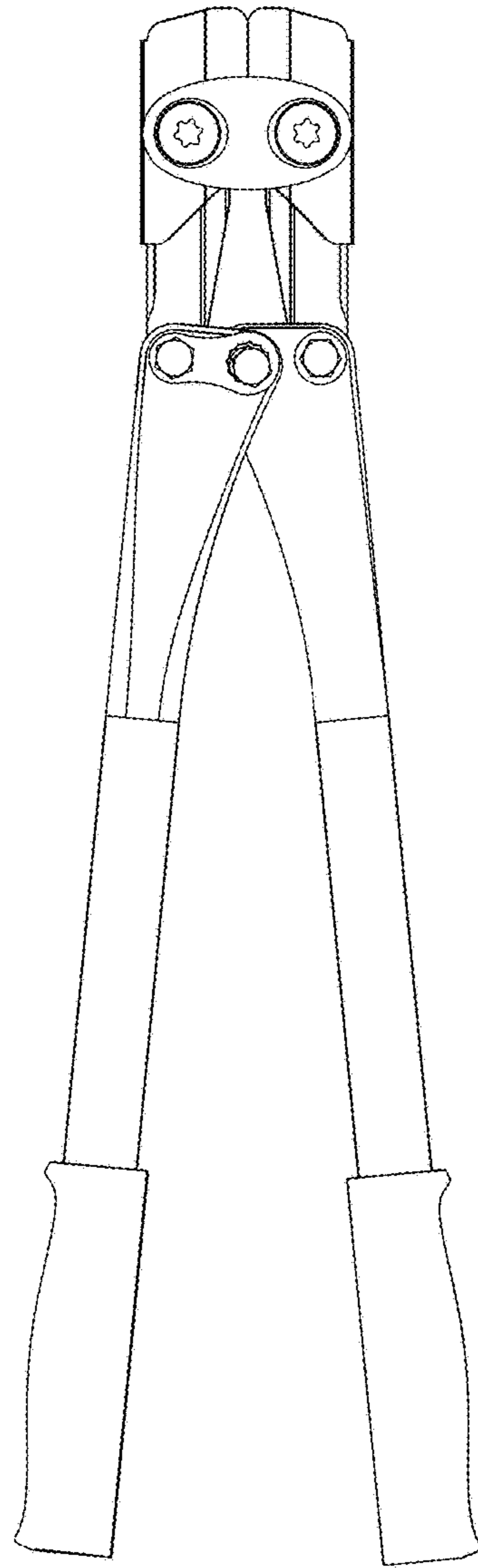


FIG. 3

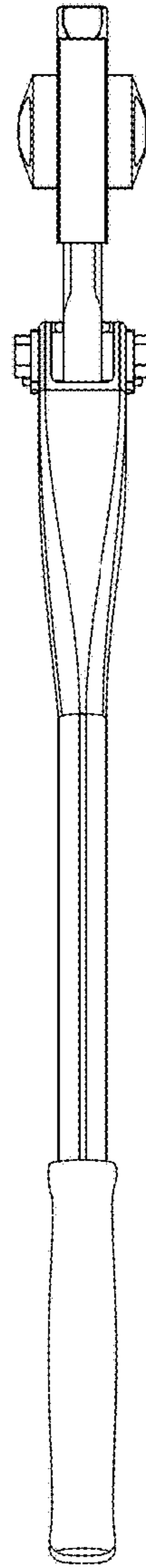


FIG. 4

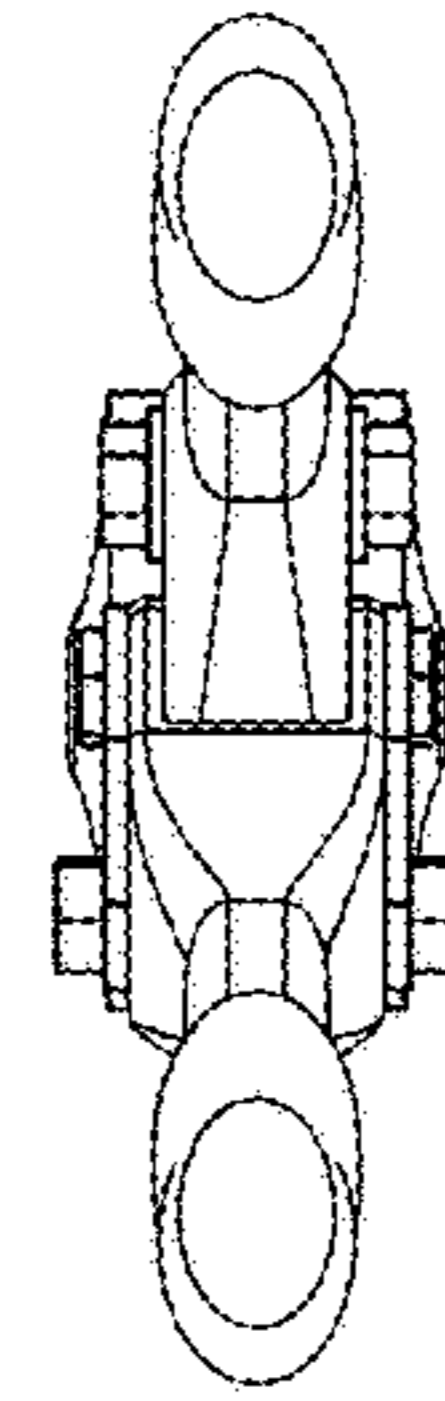


FIG. 5