



US00D847597S

(12) **United States Design Patent**
Cotan

(10) **Patent No.:** **US D847,597 S**

(45) **Date of Patent:** **** May 7, 2019**

(54) **FOIL CUTTER**

(71) Applicant: **True Fabrications, Inc.**, Seattle, WA (US)

(72) Inventor: **Andre Jacob Cotan**, Seattle, WA (US)

(73) Assignee: **TRUE FABRICATIONS, INC.**, Seattle, WA (US)

(**) Term: **15 Years**

(21) Appl. No.: **29/636,734**

(22) Filed: **Feb. 10, 2018**

(51) **LOC (11) Cl.** **07-99**

(52) **U.S. Cl.**
USPC **D8/41**

(58) **Field of Classification Search**
USPC D8/18, 33-43, 105, 107, 356, 367, 49, D8/50; D7/649, 650
CPC B67B 7/00; B67B 7/0423; B67B 7/12; B67B 7/16; B67B 7/18; B67B 7/32; B67B 7/34; B67B 7/44
See application file for complete search history.

(56) **References Cited**

U.S. PATENT DOCUMENTS

1,007,502	A *	10/1911	Stephens	B67B 7/44
					81/3.09
1,590,557	A *	6/1926	Spikes	B65D 51/243
					215/226
1,851,426	A *	3/1932	Haskell	B25F 1/02
					81/124.4
D92,795	S *	7/1934	Ebert	D8/38
4,854,856	A *	8/1989	Steiger, Jr.	B67B 7/16
					431/253
D346,187	S *	4/1994	Kino	D21/532
D347,776	S *	6/1994	Brix-Hansen	D8/40

D391,134	S *	2/1998	Laib	D8/33
D424,966	S *	5/2000	Ofiesh, II	D11/26
6,460,911	B1 *	10/2002	Engelsiepen	A01B 1/00
					294/181
D487,010	S *	2/2004	Marquardt	D8/107
D567,699	S *	4/2008	Jorgensen	D11/26
D568,127	S *	5/2008	Oas	D8/34
D609,069	S *	2/2010	Fischer	D8/34
D622,115	S *	8/2010	Smith	D8/18
D705,619	S *	5/2014	Masalin	D8/10
D719,419	S *	12/2014	Masalin	D8/10
D749,922	S *	2/2016	Masalin	D8/10
D763,046	S *	8/2016	Hume	D8/33
D792,179	S *	7/2017	Hsieh	D8/33

* cited by examiner

Primary Examiner — Elizabeth A. Albert

(74) *Attorney, Agent, or Firm* — Vicky Batwa

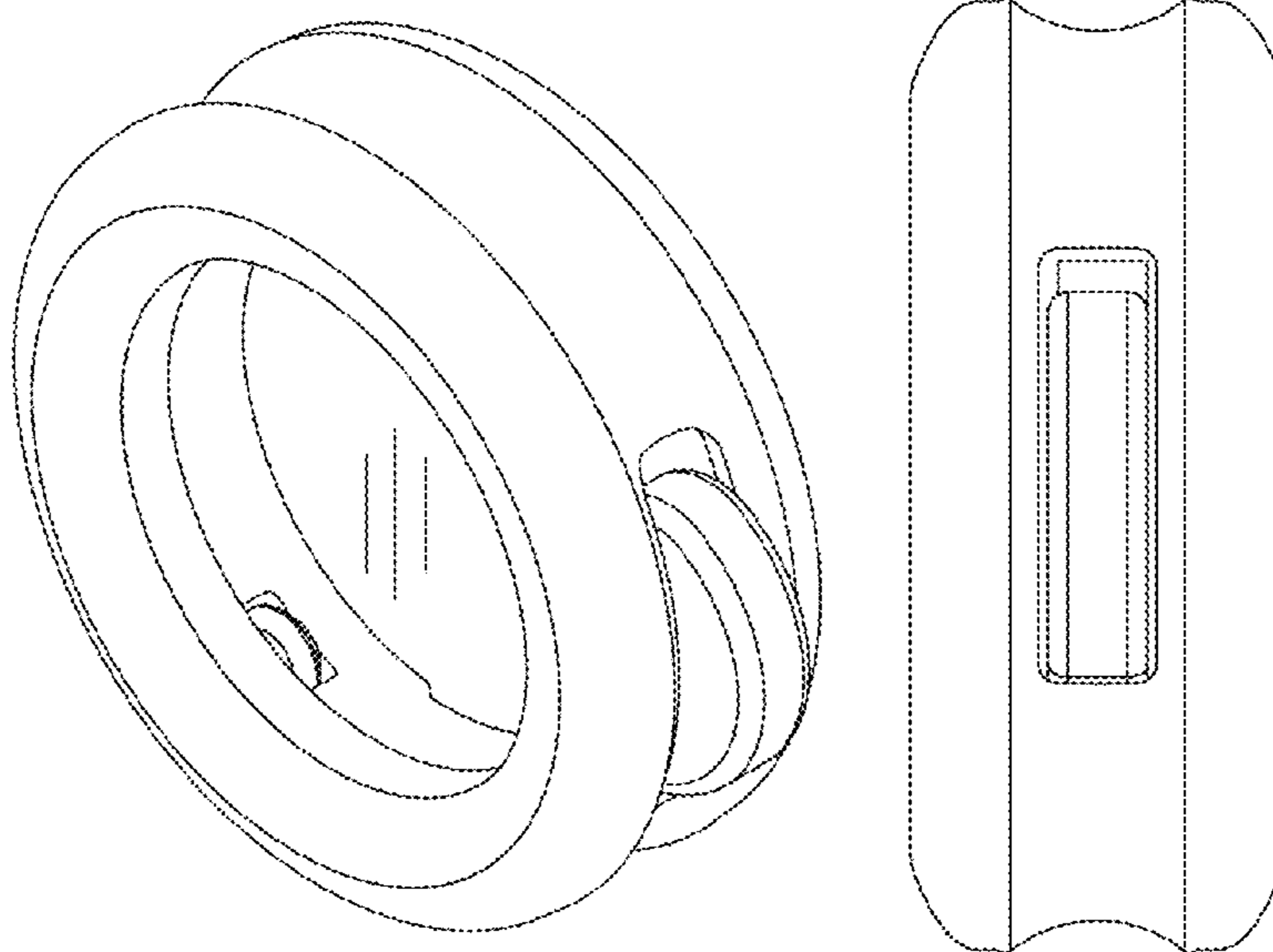
(57) **CLAIM**

The ornamental design for the foil cutter, as shown and described.

DESCRIPTION

FIG. 1 is a top perspective view of the foil cutter showing my new design;
FIG. 2 is a front elevation view of the foil cutter of FIG. 1;
FIG. 3 is a bottom back perspective view of the foil cutter of FIG. 1;
FIG. 4 is a right side elevation view of the foil cutter of FIG. 1;
FIG. 5 is a left side elevation view of the foil cutter of FIG. 1;
FIG. 6 is a bottom view of the foil cutter of FIG. 1, the top view being a mirror image thereof; and,
FIG. 7 is a bottom perspective view of the foil cutter of FIG. 1.

1 Claim, 4 Drawing Sheets



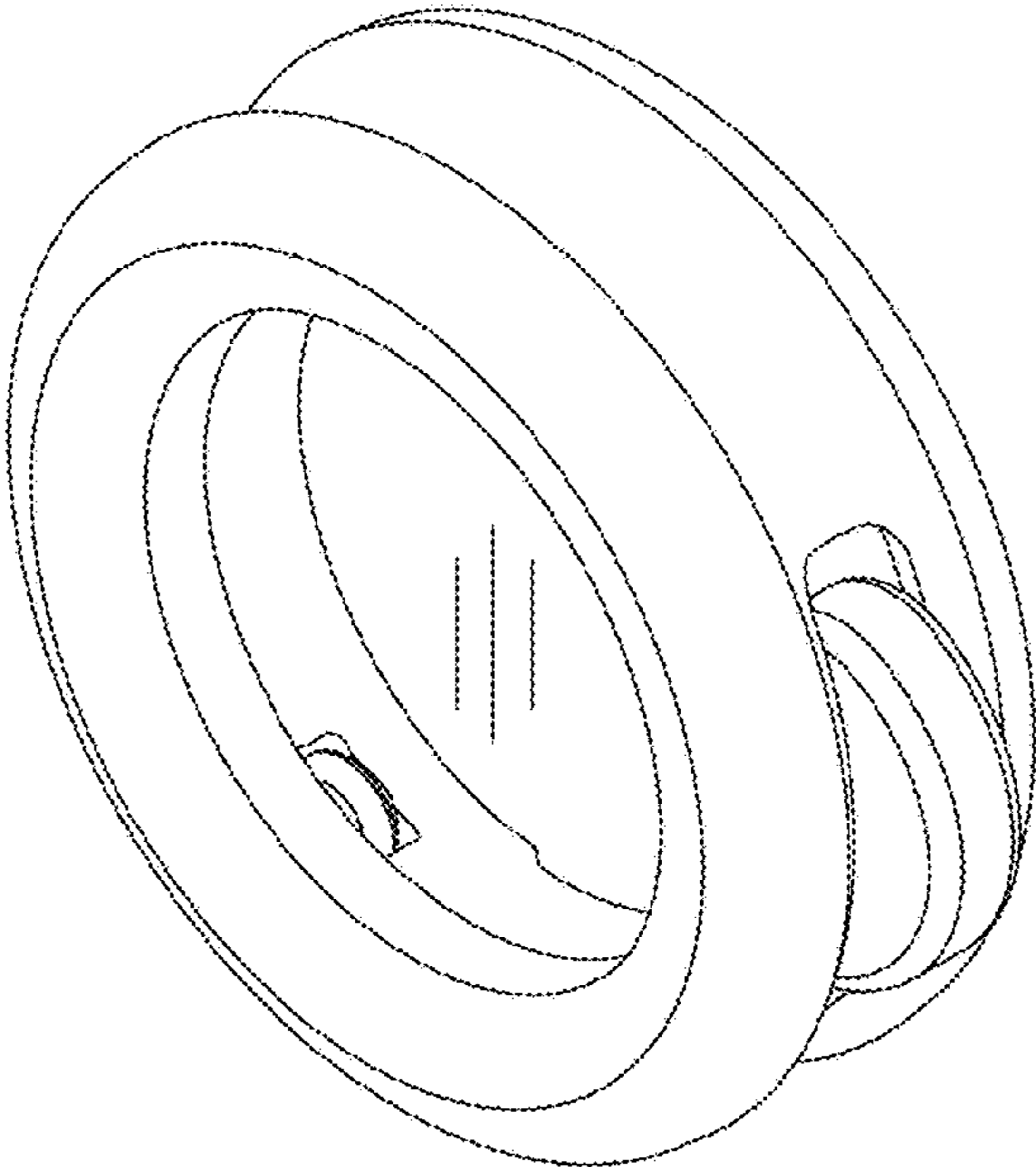


FIG. 1

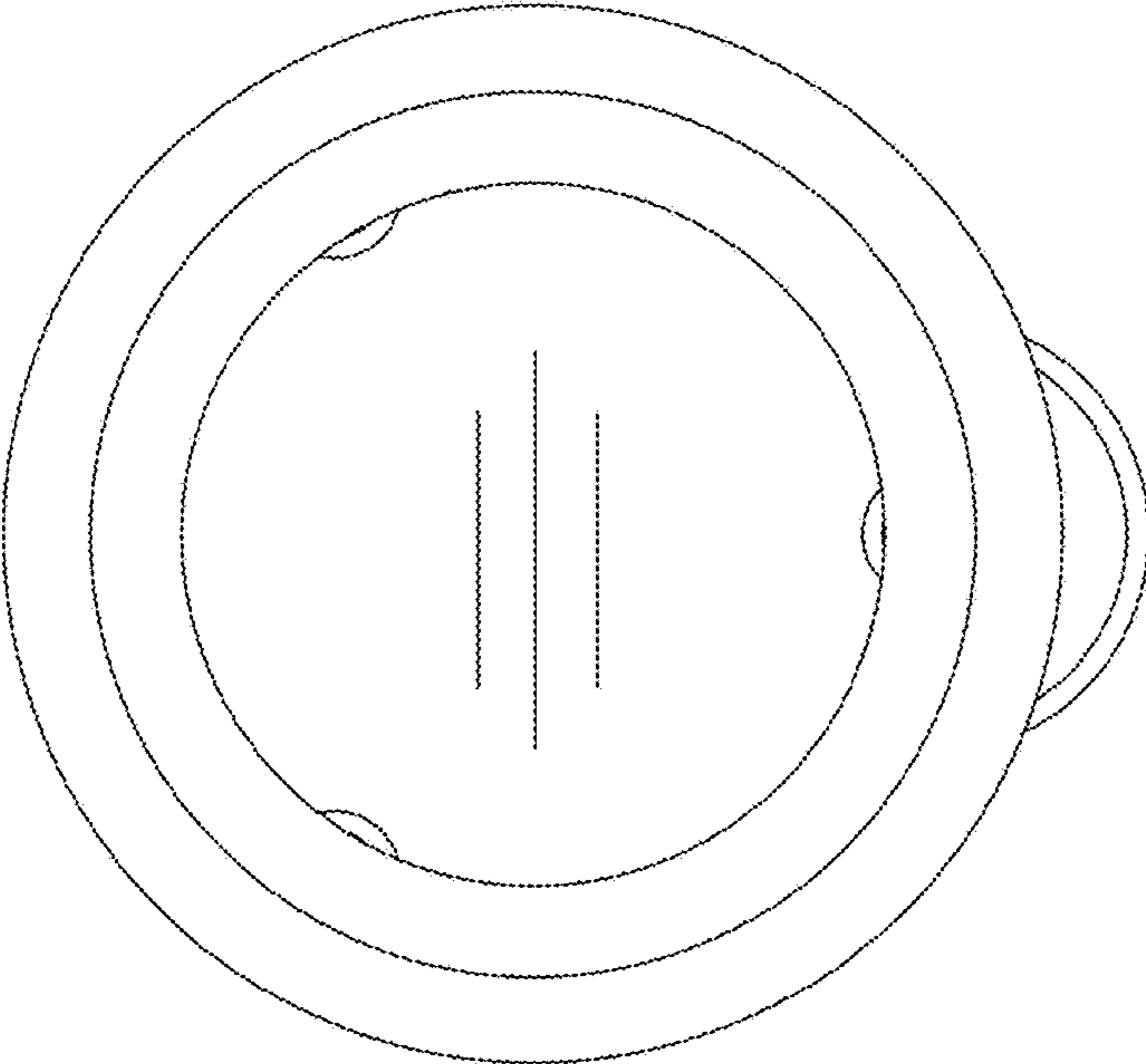


FIG. 2

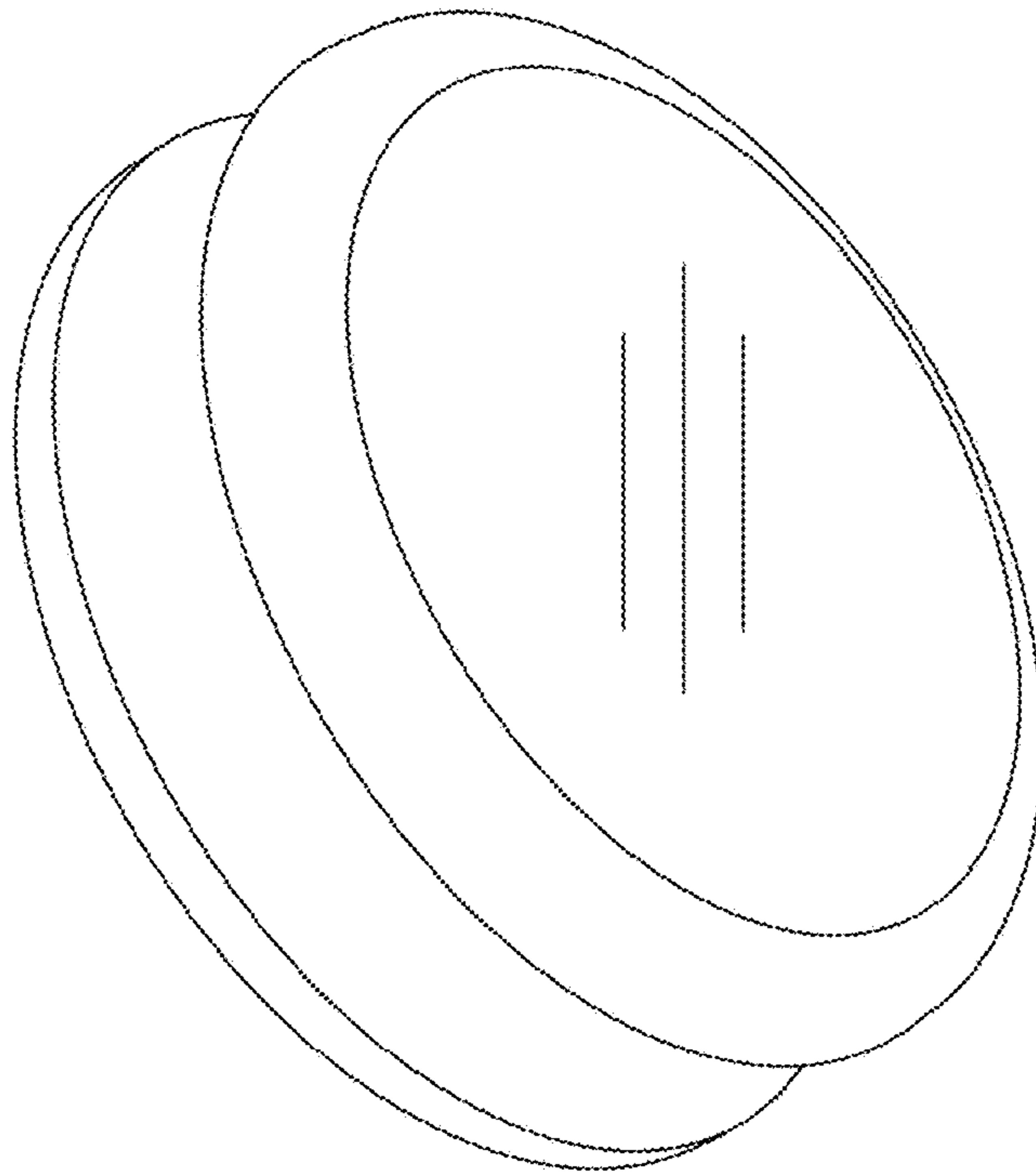


FIG. 3

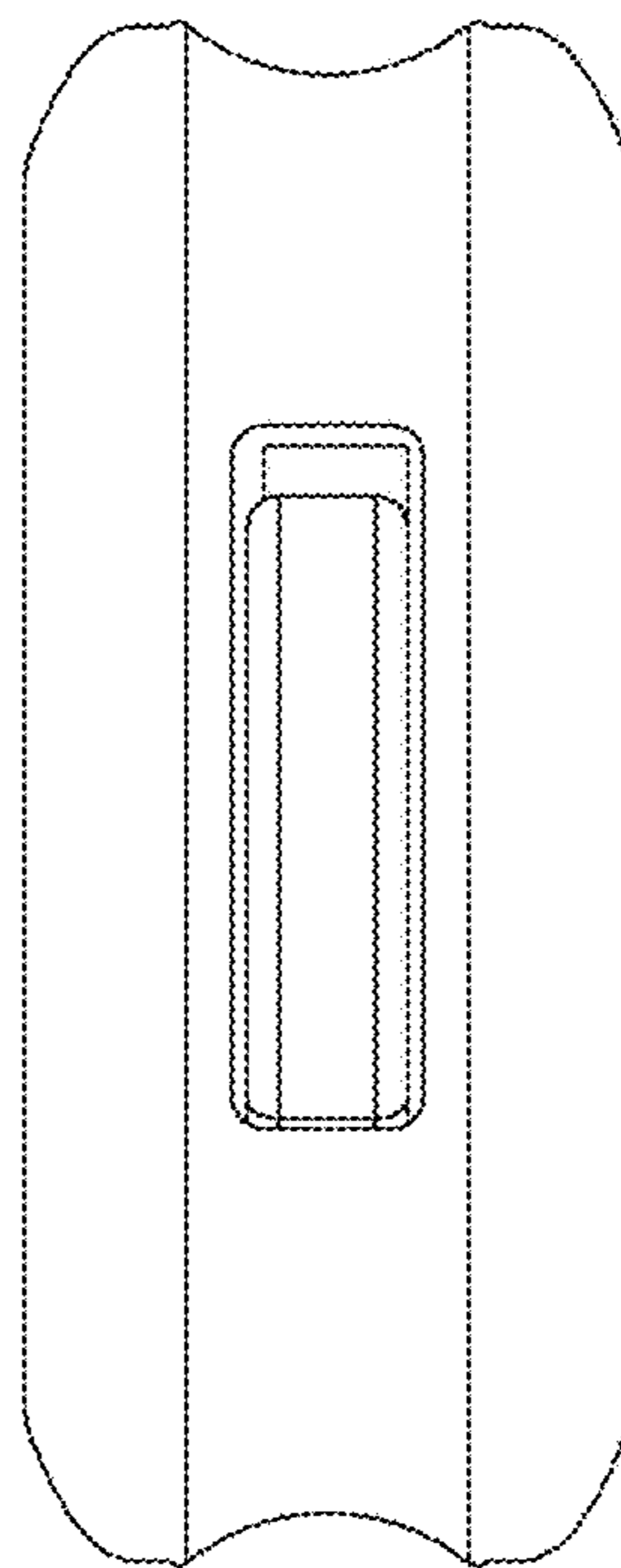


FIG. 4

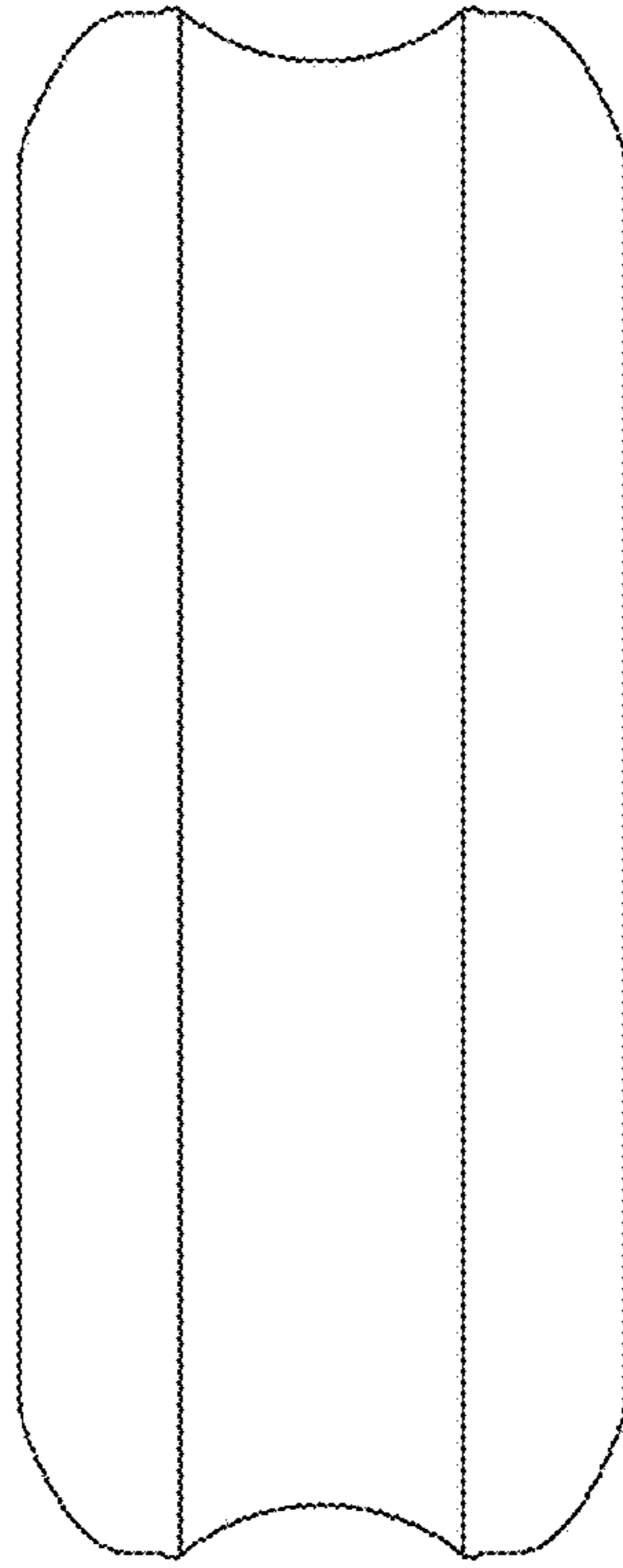


FIG. 5

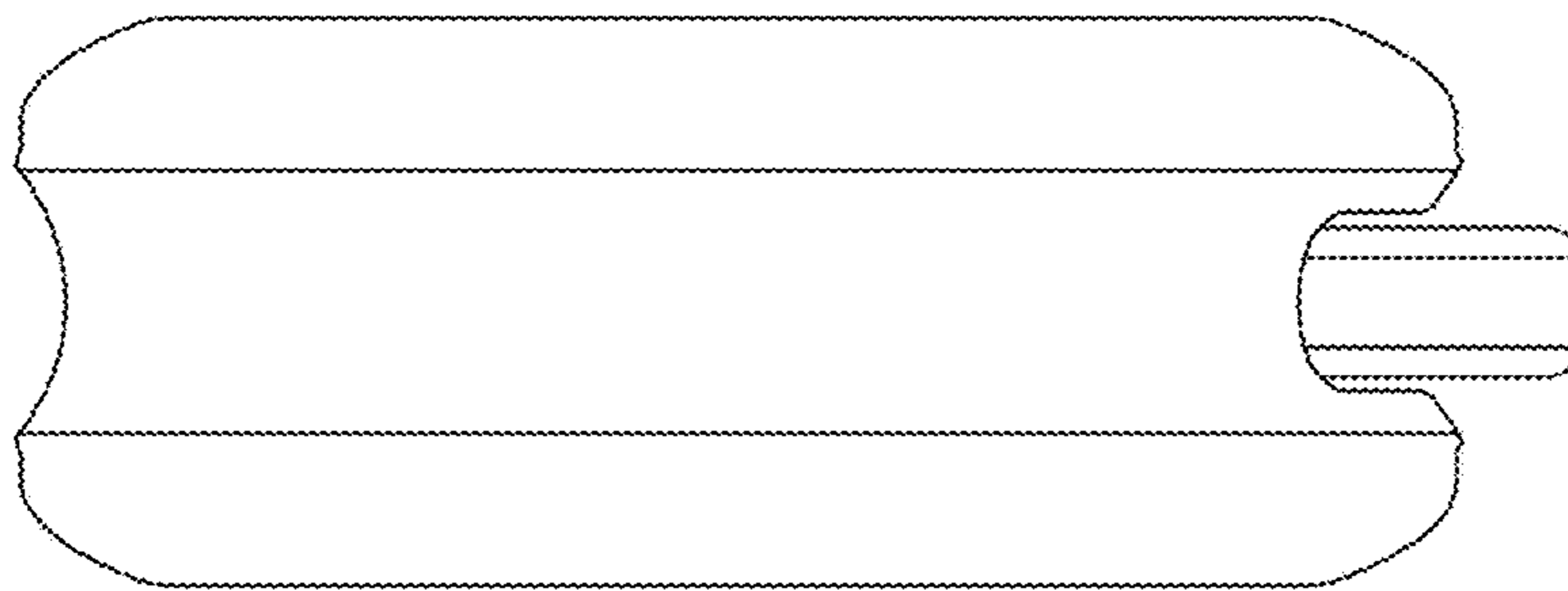


FIG. 6

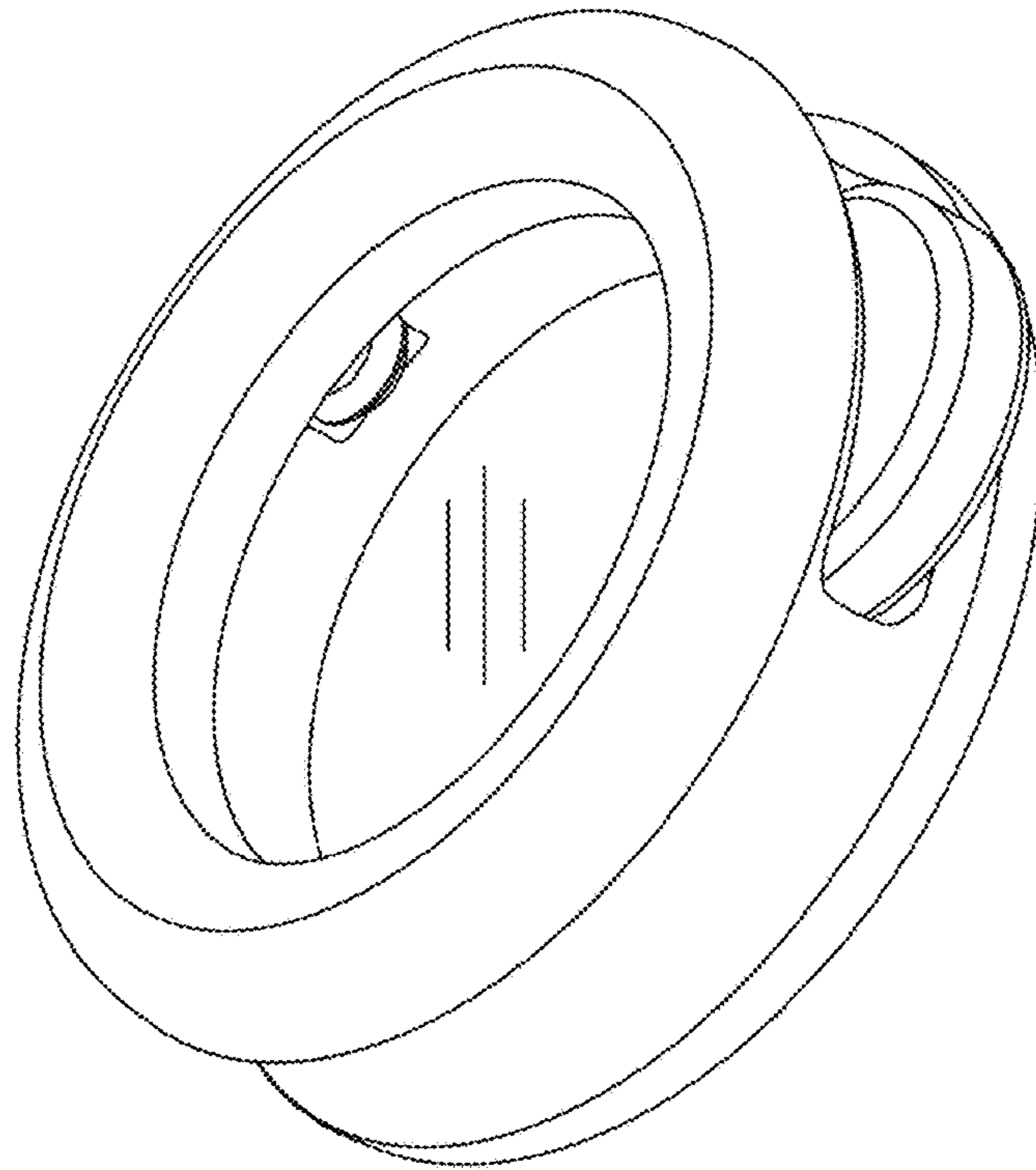


FIG. 7