



US00D847596S

(12) **United States Design Patent** (10) **Patent No.:** **US D847,596 S**
Hastings (45) **Date of Patent:** **** May 7, 2019**

- (54) **STAPLER BOTTLE OPENER**
- (71) Applicant: **Lifetime Brands, Inc.**, Garden City, NY (US)
- (72) Inventor: **Lauren Hastings**, Providence, RI (US)
- (73) Assignee: **Lifetime Brands, Inc.**, Garden City, NY (US)
- (**) Term: **15 Years**
- (21) Appl. No.: **29/631,937**
- (22) Filed: **Jan. 4, 2018**
- (51) **LOC (11) Cl.** **07-99**
- (52) **U.S. Cl.**
USPC **D8/38; D8/49**
- (58) **Field of Classification Search**
USPC D8/18, 33-43, 105, 107, 356, 367, 49, D8/50; D7/649, 650
CPC B67B 7/00; B67B 7/0423; B67B 7/12; B67B 7/16; B67B 7/18; B67B 7/32; B67B 7/34; B67B 7/44
See application file for complete search history.

(56) **References Cited**

U.S. PATENT DOCUMENTS

D211,544 S *	6/1968	Gaya	D8/49
3,398,872 A *	8/1968	Monahan	B25C 5/025 227/110
3,451,076 A *	6/1969	Deaver	B67B 7/0423 7/118
D215,692 S *	10/1969	Glennon	D8/50
3,630,428 A *	12/1971	Olney	B25C 5/0207 227/128
D232,804 S *	9/1974	Power	D8/50
D233,306 S *	10/1974	Power	D19/72
D234,937 S *	4/1975	Olney	D8/50
D244,253 S *	5/1977	Power	D8/50
D277,162 S *	1/1985	Power	227/128

D277,928 S *	3/1985	Suzuki	D8/50
D295,015 S *	4/1988	Ebihara	D8/50
D296,071 S *	6/1988	Chi	D8/49
D296,183 S *	6/1988	Chi	D8/49
D297,300 S *	8/1988	McDermott	D8/50
D306,683 S *	3/1990	Ebihara	D8/49
D314,897 S *	2/1991	Hung	D8/50
D330,317 S *	10/1992	Jacober	D8/50
D331,178 S *	11/1992	Bain	D8/50
D354,209 S *	1/1995	Haluska	D8/50
D373,058 S *	8/1996	Herbst	D8/50
6,209,772 B1 *	4/2001	Wang	B25C 5/025 227/119
D466,774 S *	12/2002	Lee	D8/50
D471,421 S *	3/2003	Lang	D8/105
7,222,768 B2 *	5/2007	Marks	B25C 5/025 227/119
7,407,072 B2 *	8/2008	Marks	B25C 5/0242 227/107
7,681,771 B2 *	3/2010	Kandasamy	B25C 5/0242 227/120

(Continued)

Primary Examiner — Elizabeth A. Albert
(74) *Attorney, Agent, or Firm* — Tutunjian & Bitetto, P.C.

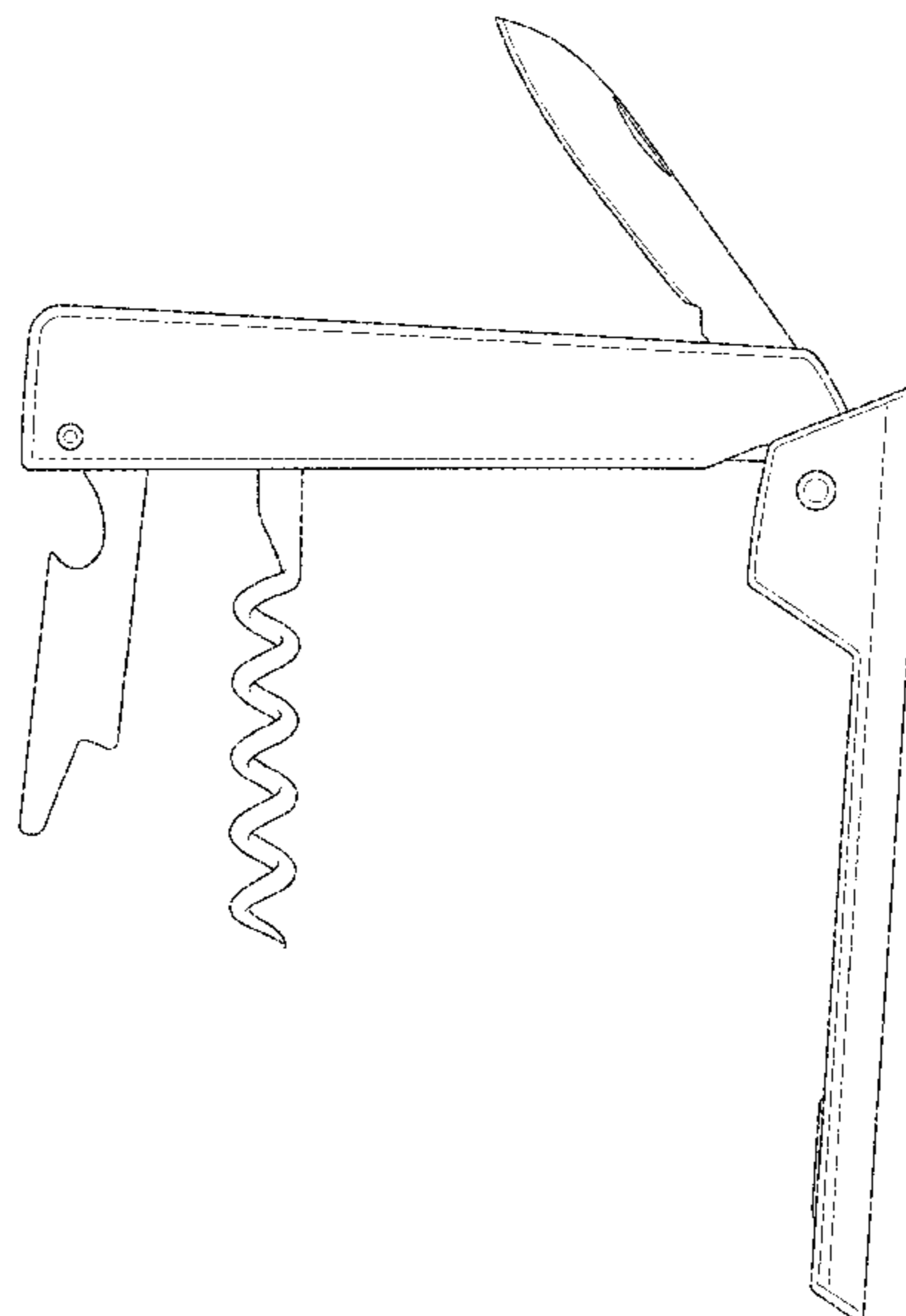
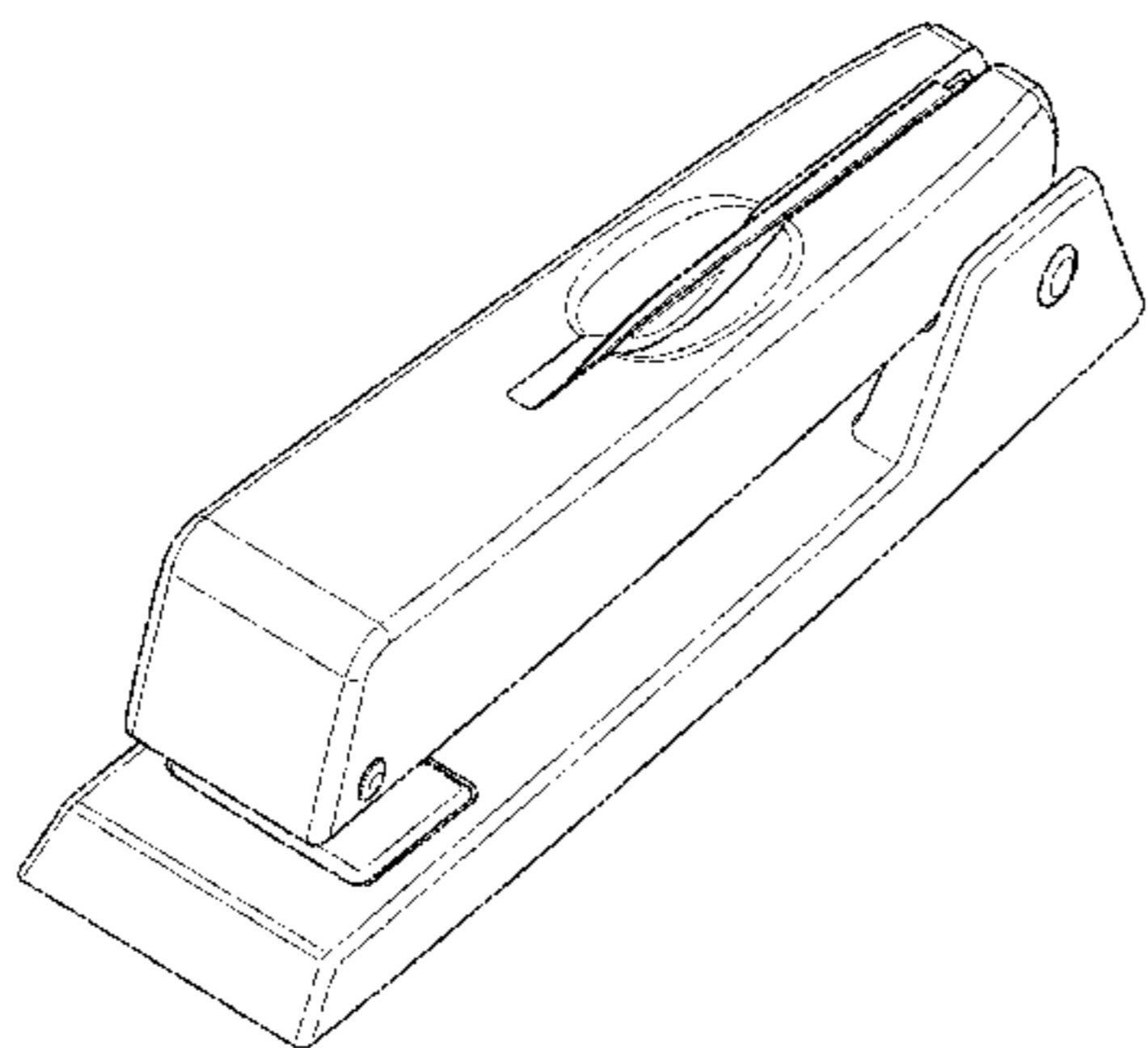
(57) **CLAIM**

The ornamental design for a stapler bottle opener, as shown and described.

DESCRIPTION

FIG. 1 is a top perspective view of the stapler bottle opener showing my new design;
FIG. 2 is a bottom perspective view thereof;
FIG. 3 is a right side view thereof;
FIG. 4 is a left side view thereof;
FIG. 5 is a top view thereof;
FIG. 6 is a bottom view thereof;
FIG. 7 is a front view thereof;
FIG. 8 is a rear view thereof; and,
FIG. 9 is a side view thereof shown in an open position.

1 Claim, 5 Drawing Sheets



(56)

References Cited

U.S. PATENT DOCUMENTS

D617,165 S	*	6/2010	Leung	D8/50
D714,608 S	*	10/2014	Bonacina	D8/50
D785,424 S	*	5/2017	Kapoor	D8/50
D798,123 S	*	9/2017	Racamier	D8/49

* cited by examiner

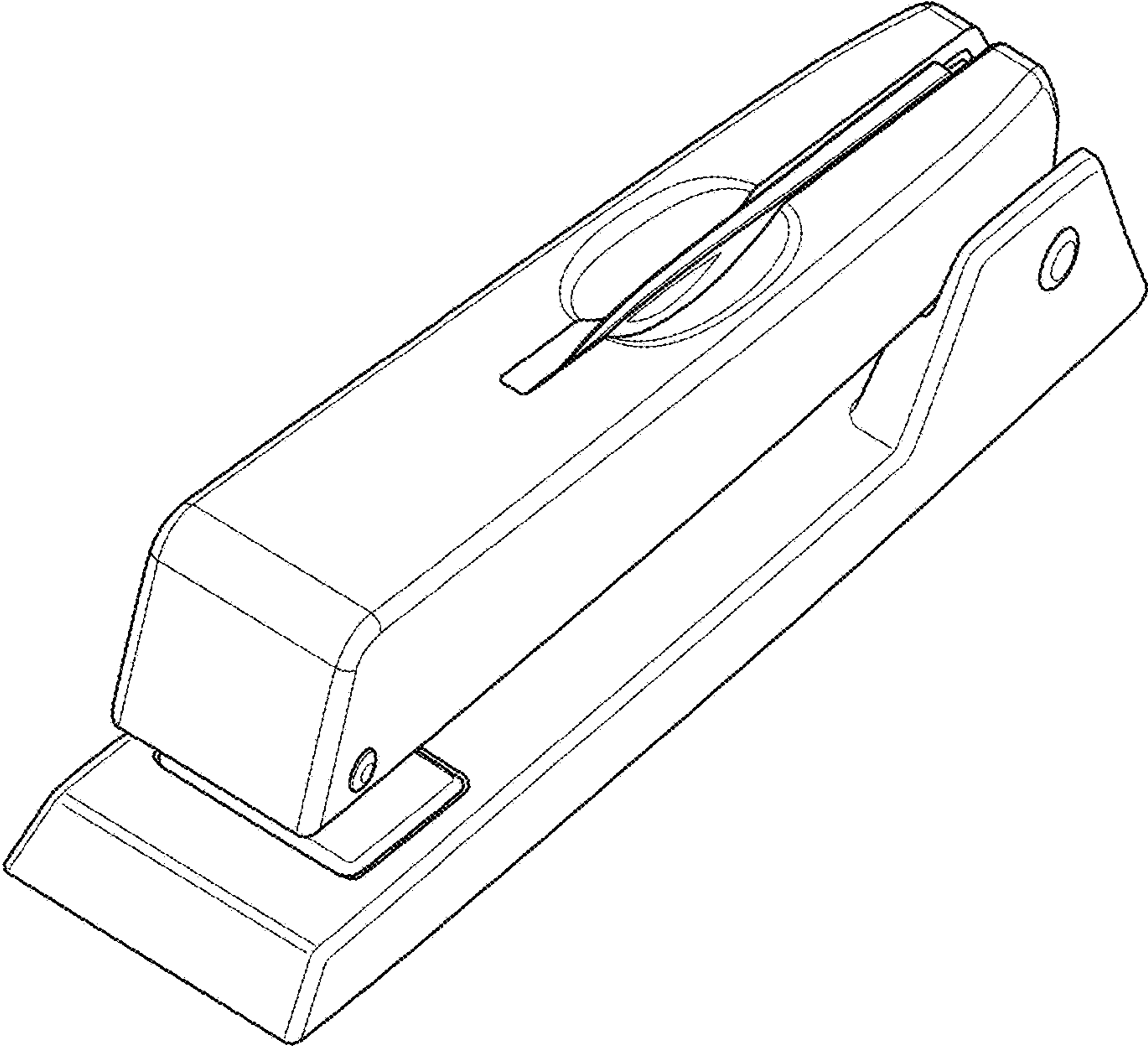


FIG. 1

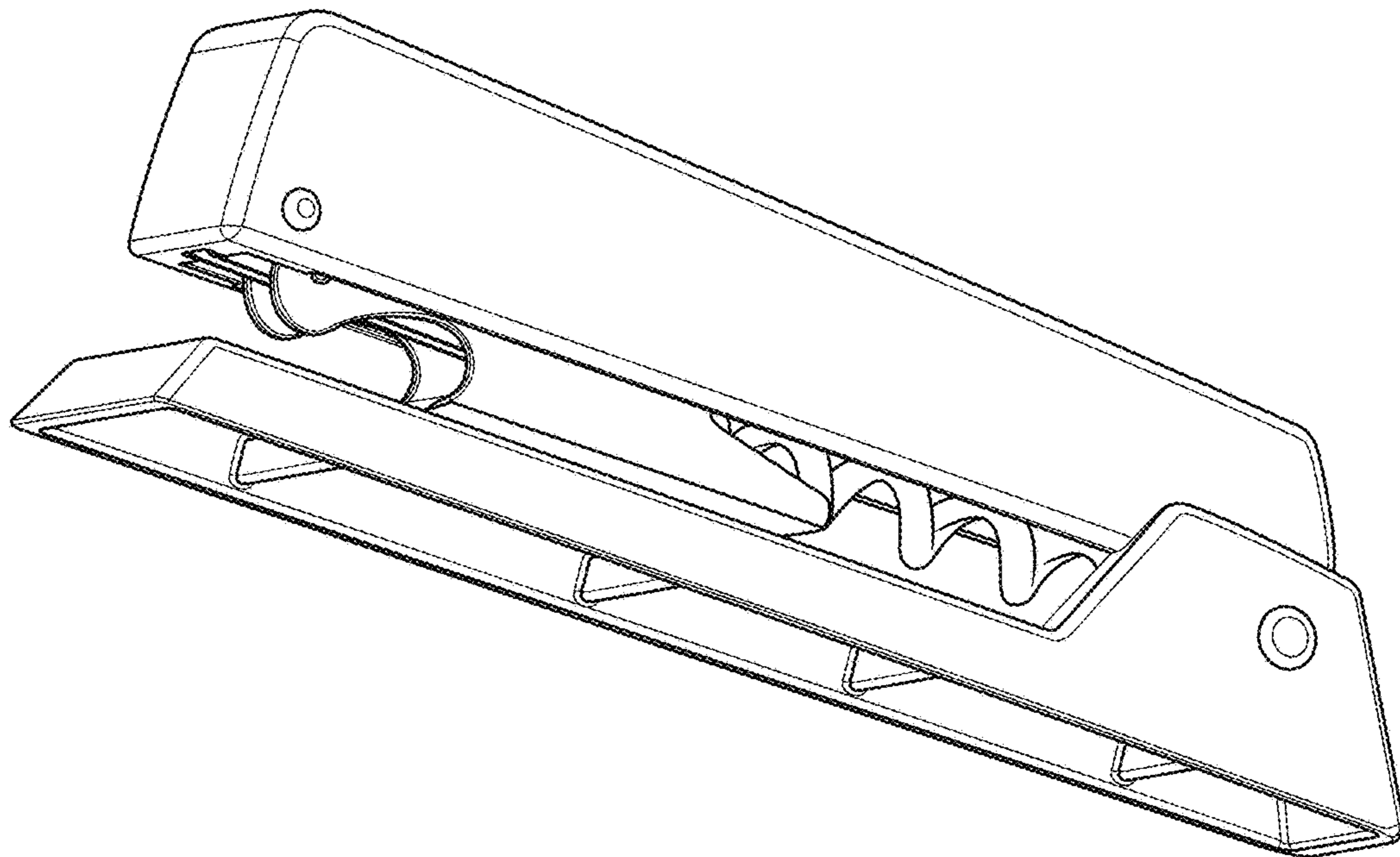


FIG. 2

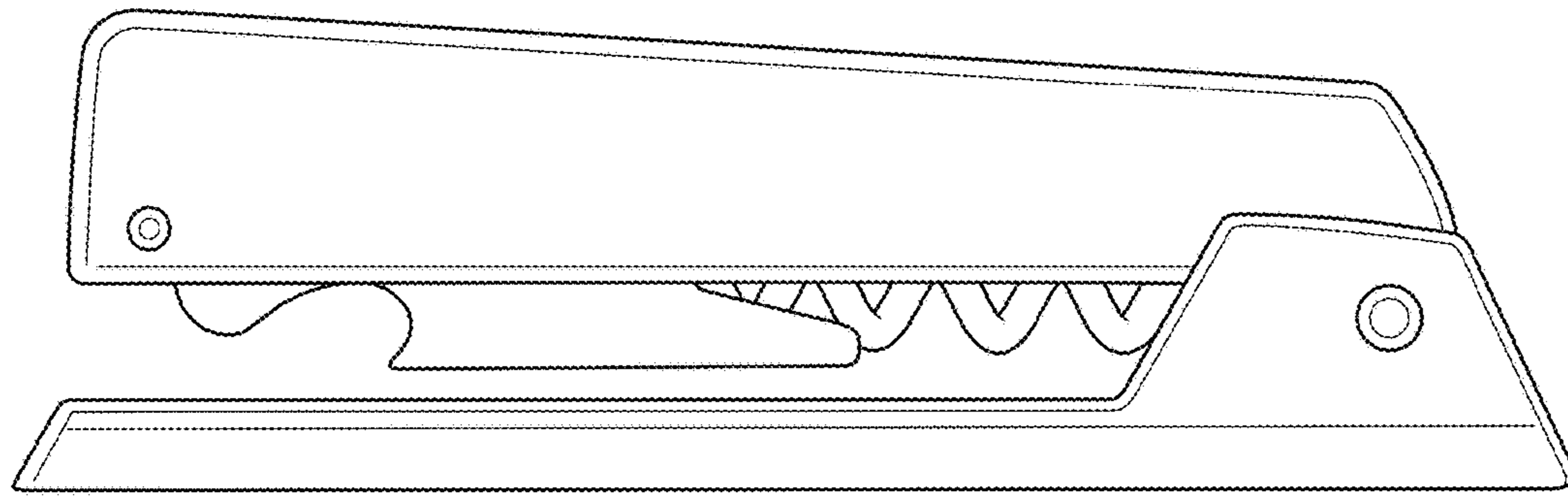


FIG. 3

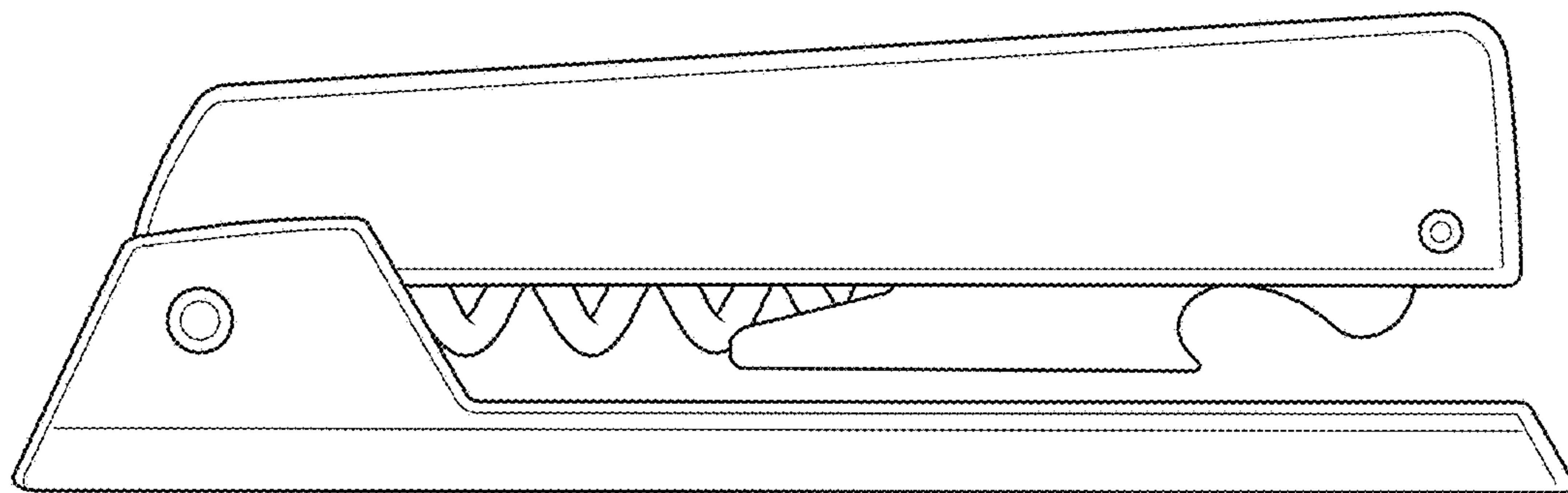


FIG. 4

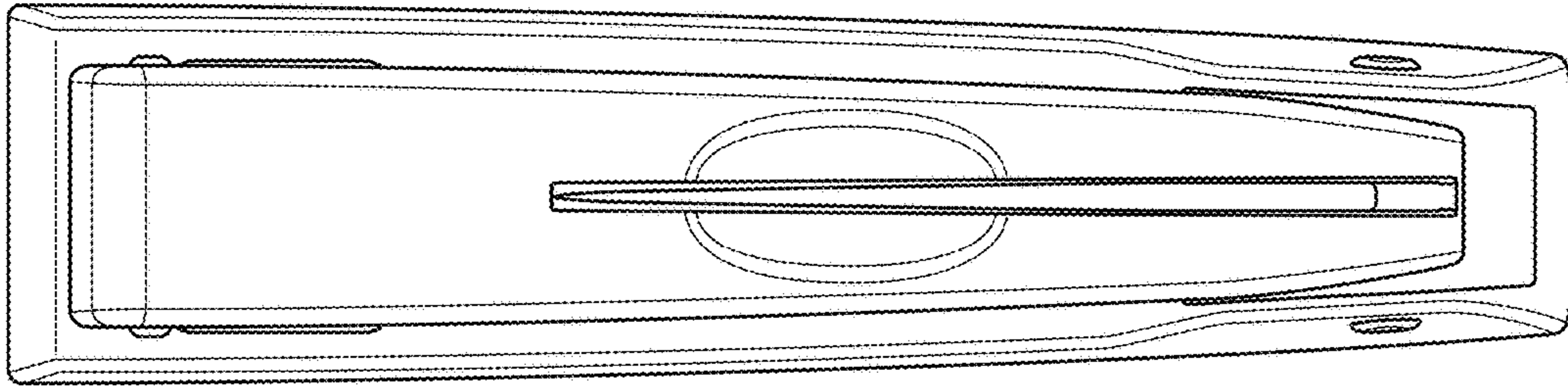


FIG. 5

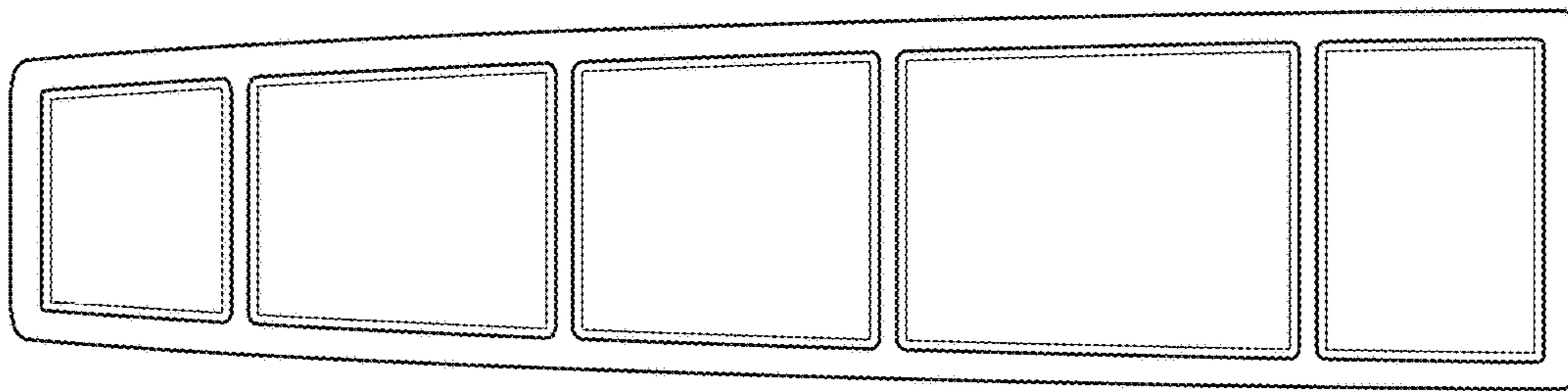


FIG. 6

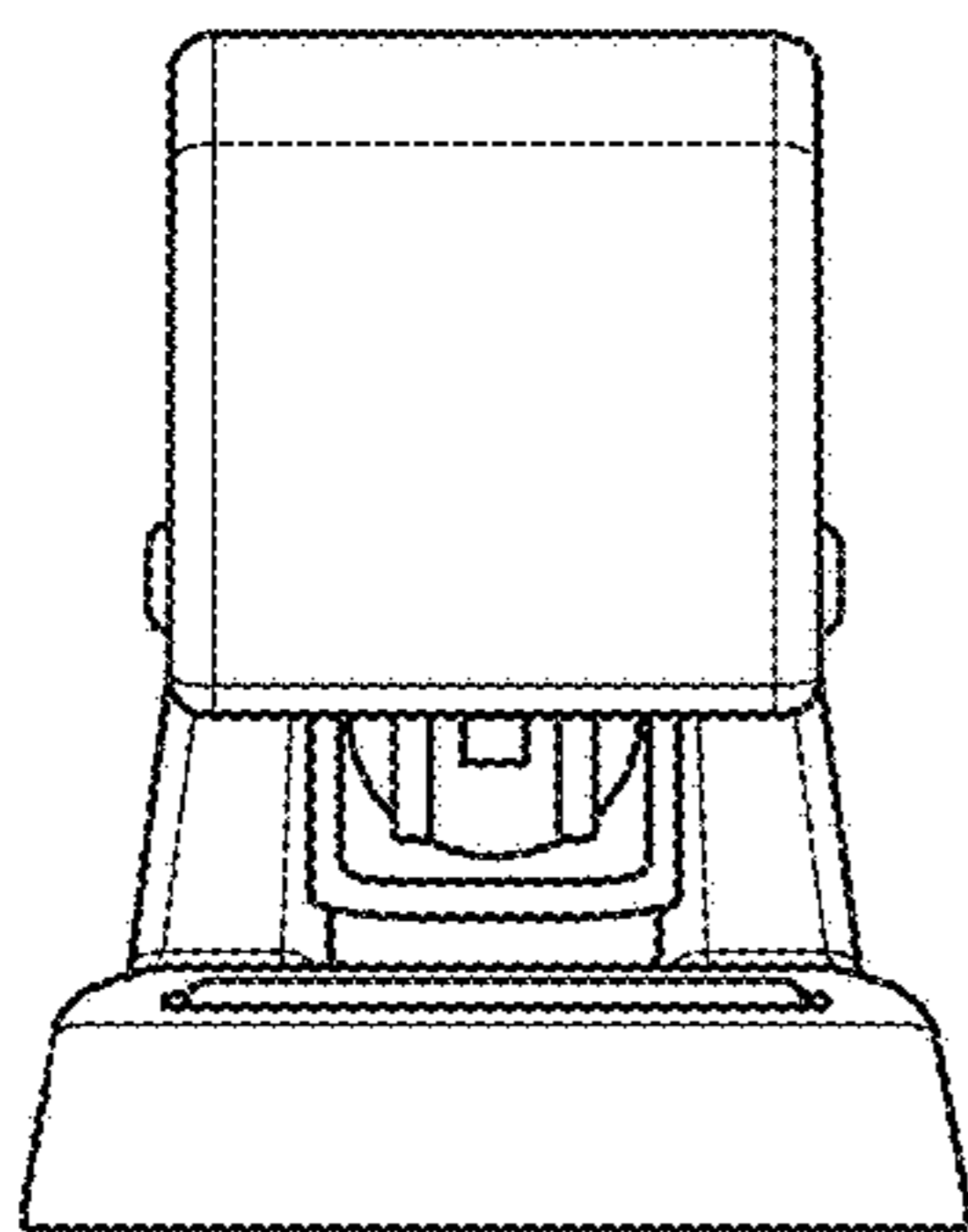


FIG. 7

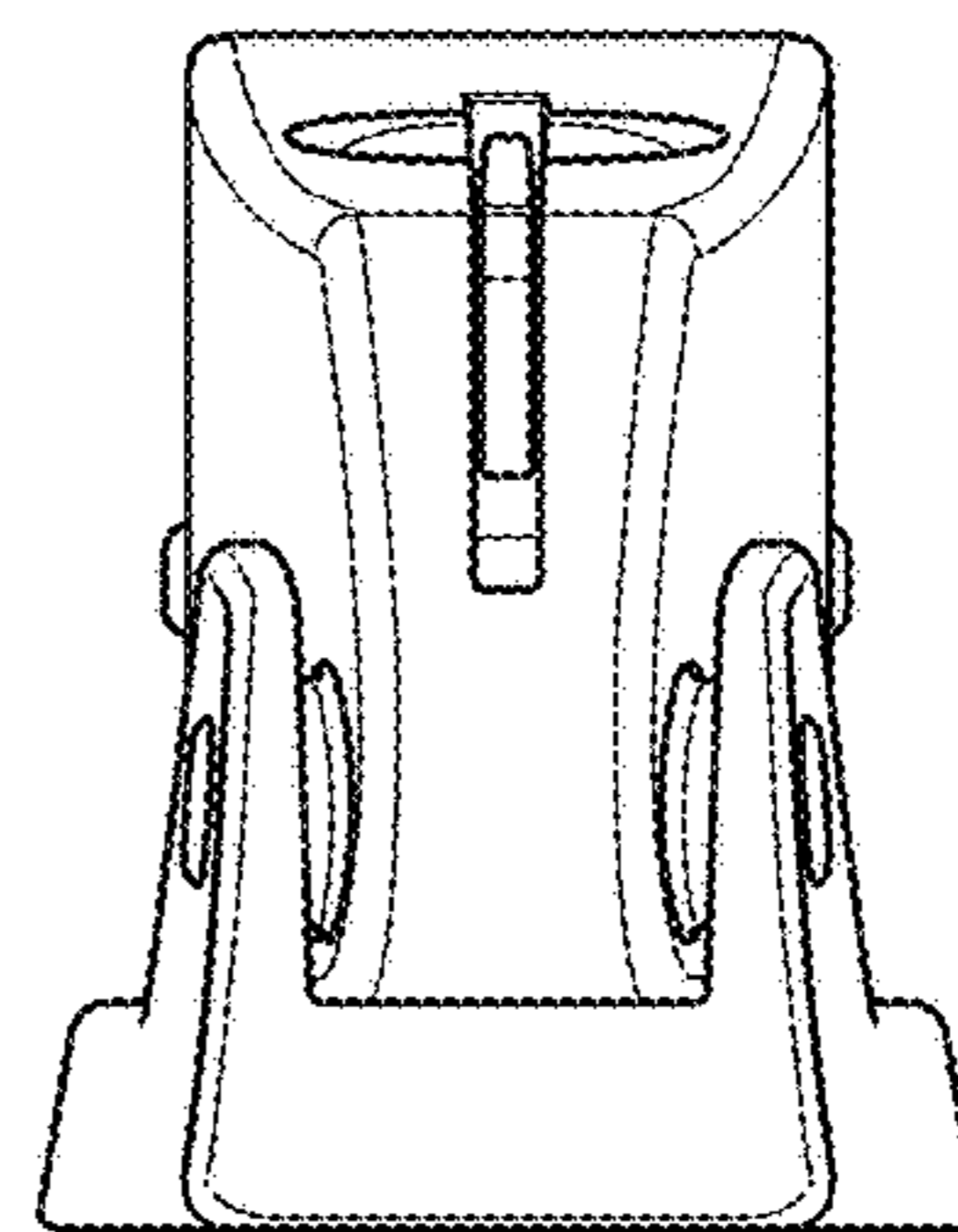


FIG. 8

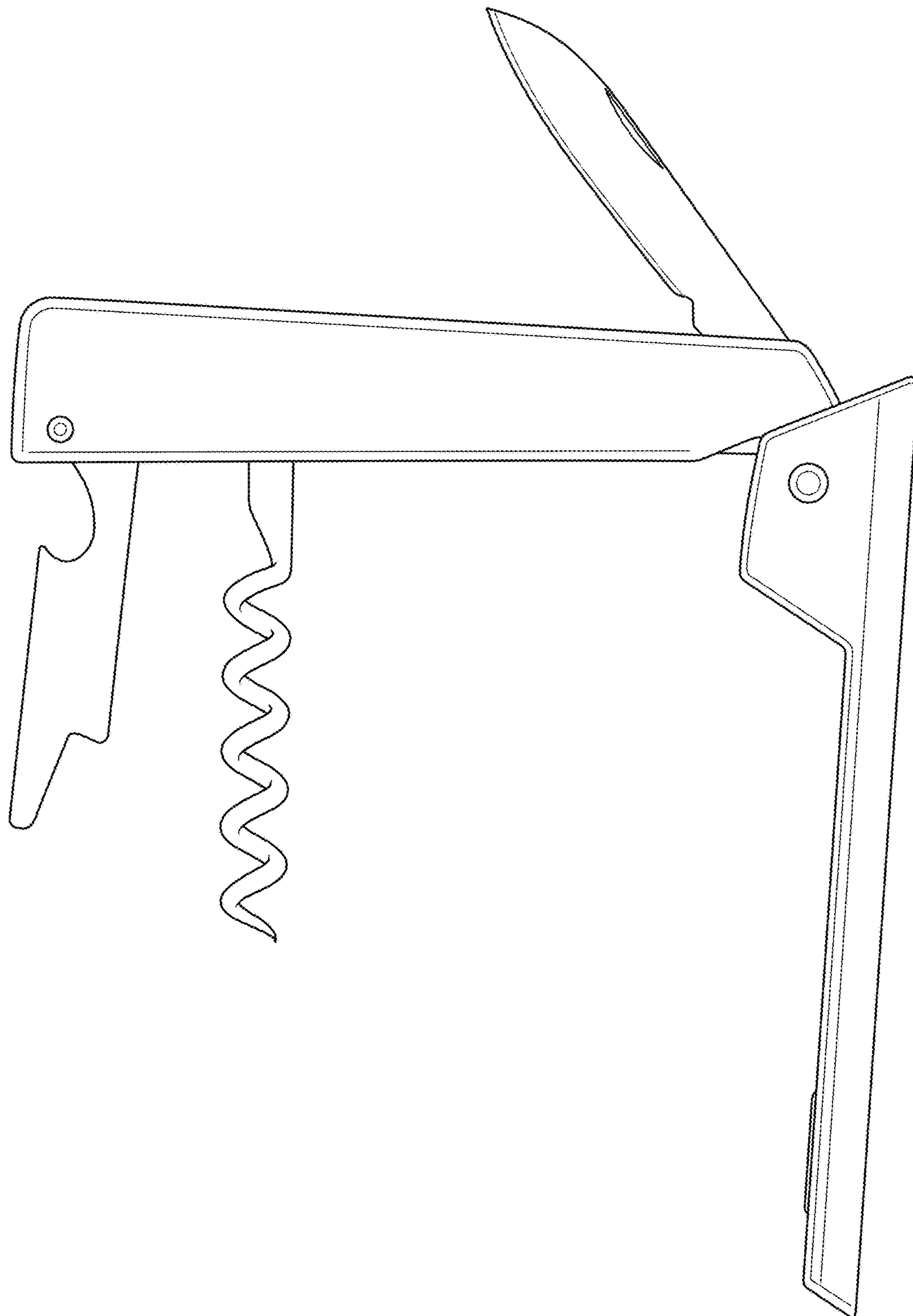


FIG. 9