



US00D847594S

(12) **United States Design Patent** (10) **Patent No.:** **US D847,594 S**
Hamilton (45) **Date of Patent:** **** May 7, 2019**

(54) **WEIGHT ATTACHMENT FOR CASTING A ROPE, STRAP OR THE LIKE**

FOREIGN PATENT DOCUMENTS

(71) Applicant: **LOOPER STRAP WEIGHTS PTY LTD**, Victoria (AU)

KR 101609352 4/2016
WO 2017/063043 4/2017

(72) Inventor: **Ian Hamilton**, Victoria (AU)

OTHER PUBLICATIONS

(73) Assignee: **Looper Strap Weights Pty Ltd**, Victoria (AU)

IHSA, Securing Loads [retrieved from the Internet on Nov. 25, 2016] <URL:https://web.archive.org/web/20140826016206/http://www.ihsa.ca/pdfs/safety_talks/securing_loads.pdf> published on Aug. 26, 2014 as per Wayback Machine Whole document.

(**) Term: **15 Years**

(Continued)

(21) Appl. No.: **29/600,622**

Primary Examiner — Philip S Hyder

(22) Filed: **Apr. 13, 2017**

(74) *Attorney, Agent, or Firm* — Nicholas J. Landau; Bradley Arant Boult Cummings LLP

(30) **Foreign Application Priority Data**

Oct. 13, 2016 (AU) 201615802
(51) **LOC (11) Cl.** **08-05**
(52) **U.S. Cl.**
USPC **D8/14**
(58) **Field of Classification Search**
USPC D8/14; D22/145, 146; D21/680, 694
CPC B66B 7/06
See application file for complete search history.

(57) **CLAIM**

The ornamental design for a weight attachment for casting a rope, strap or the like, as shown and described.

(56) **References Cited**

DESCRIPTION

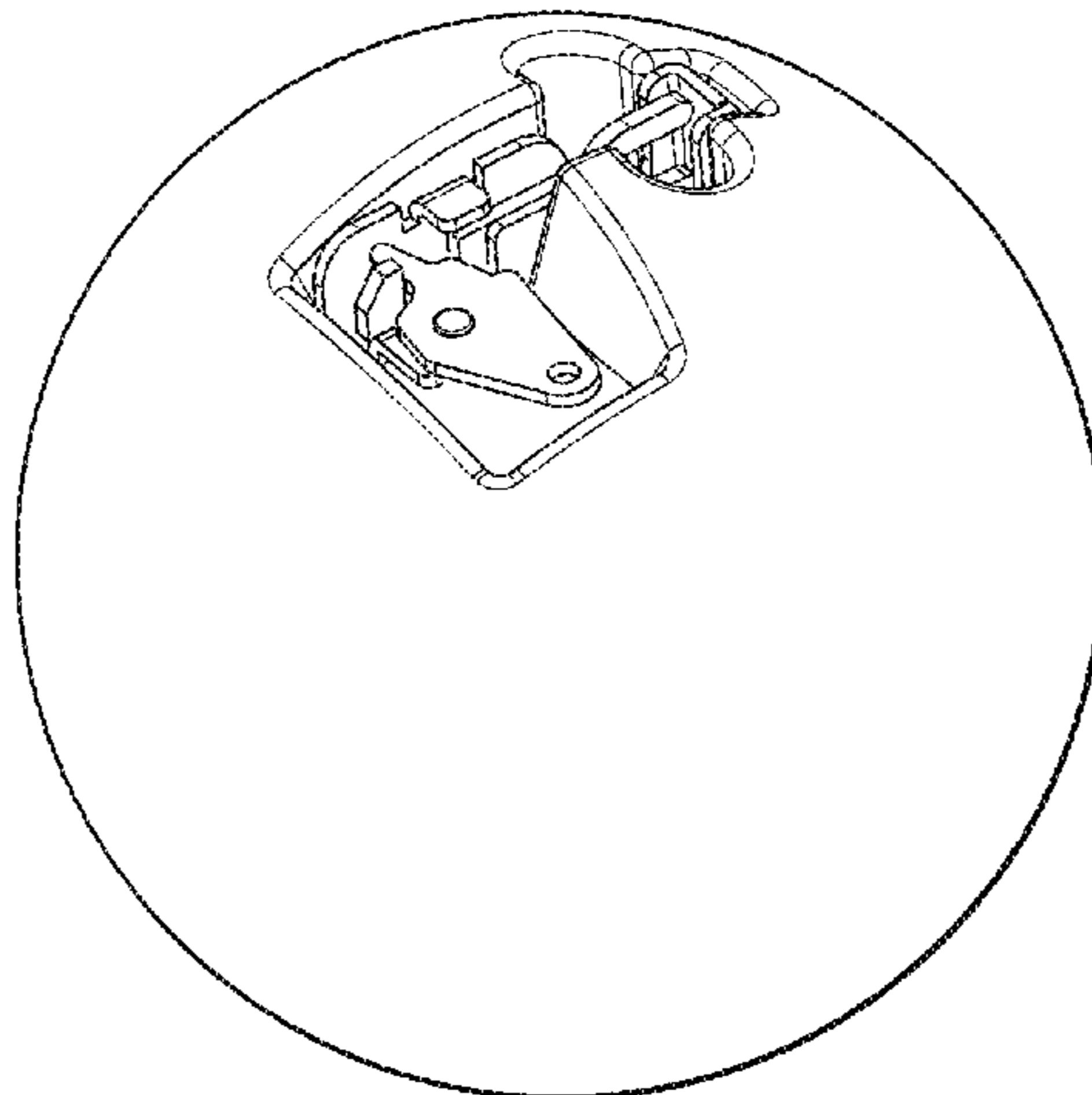
U.S. PATENT DOCUMENTS

2,710,767 A * 6/1955 Wright B66B 7/06
24/136 K
4,127,268 A * 11/1978 Lindgren A63B 43/007
29/432
4,477,996 A * 10/1984 Walter A01K 95/00
43/42.06
4,867,451 A * 9/1989 Mitchell A63B 43/02
273/DIG. 20
5,236,383 A * 8/1993 Connelly A63B 43/007
446/219

FIG. 1 shows a front perspective view of a weight attachment for casting a rope, strap, or the like in accordance with our new design.
FIG. 2 shows a rear perspective view of the embodiment of FIG. 1.
FIG. 3 shows a top view of the embodiment of FIG. 1.
FIG. 4 shows a bottom view of the embodiment of FIG. 1.
FIG. 5 shows a front view of the embodiment of FIG. 1.
FIG. 6 shows a rear view of the embodiment of FIG. 1.
FIG. 7 shows a left side view of the embodiment of FIG. 1; and,
FIG. 8 shows a right side view of the embodiment of FIG. 1.
Any dashed lines shown in the drawings illustrate environmental structure and form no part of the claimed design.

(Continued)

1 Claim, 8 Drawing Sheets



(56)

References Cited

U.S. PATENT DOCUMENTS

6,142,553 A 11/2000 Bodecker
6,173,985 B1 * 1/2001 Thomas B60D 1/06
280/491.1
6,715,781 B1 * 4/2004 Smith B60D 1/06
280/416.1
6,883,822 B1 * 4/2005 Smith B60D 1/06
280/504
6,955,574 B2 * 10/2005 Rogerson B63B 21/22
441/3
9,770,619 B1 * 9/2017 Bullock A63B 21/0603
9,788,527 B1 * 10/2017 Harrington A01K 15/025
2011/0225872 A1 9/2011 Farley et al.

OTHER PUBLICATIONS

Amleo, High Ball Throw Weight Kit with Throw Line [retrieved from the Internet on Nov. 25, 2016] <URL:https://web.archive.org/web/20150927031441/http://www.almeo.com/high-ballthrow-weight-kit-with-throw-line/pNP-HBZ/> published on Sep. 27, 2015.

* cited by examiner

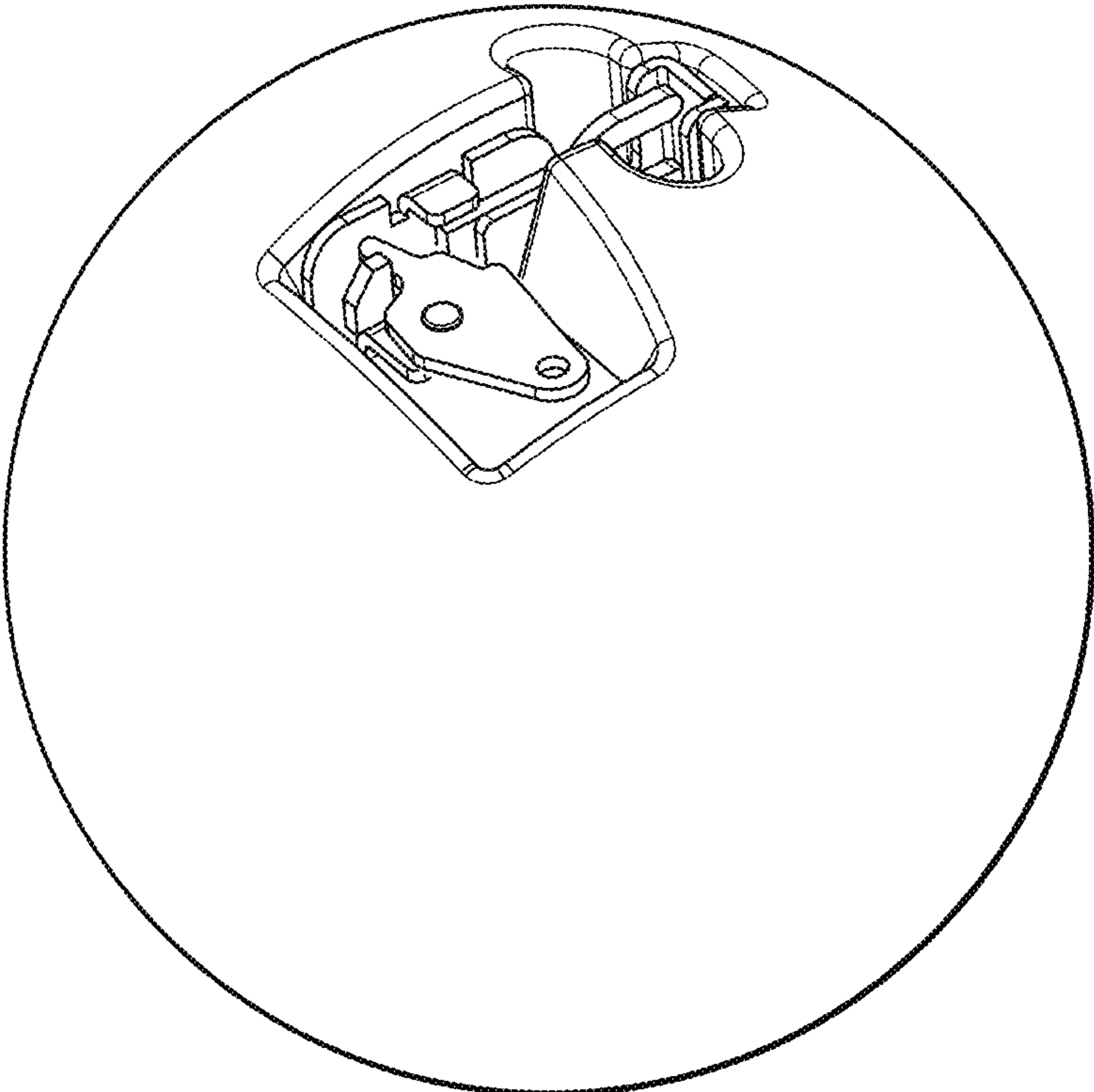


FIG. 1

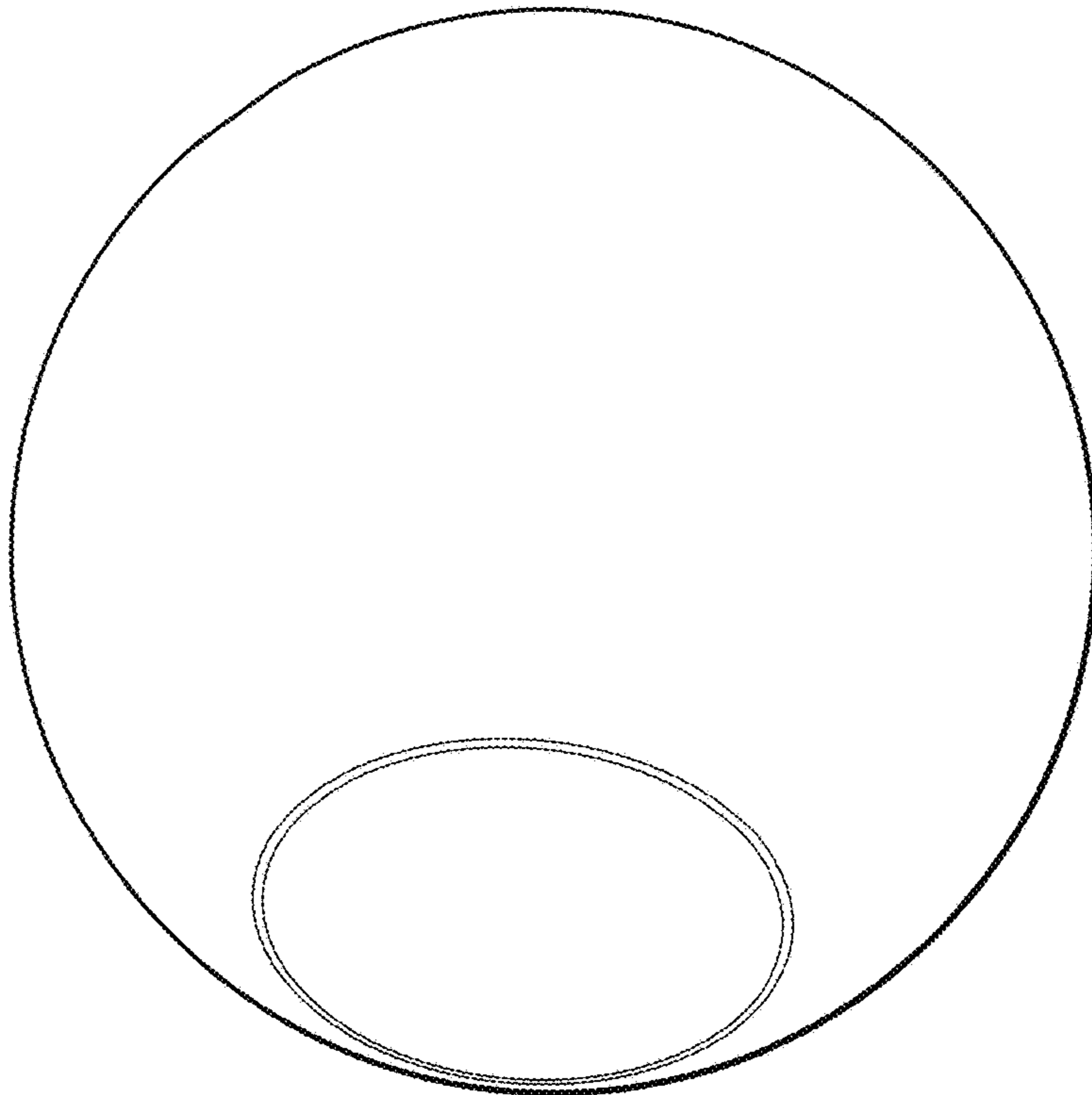


FIG. 2

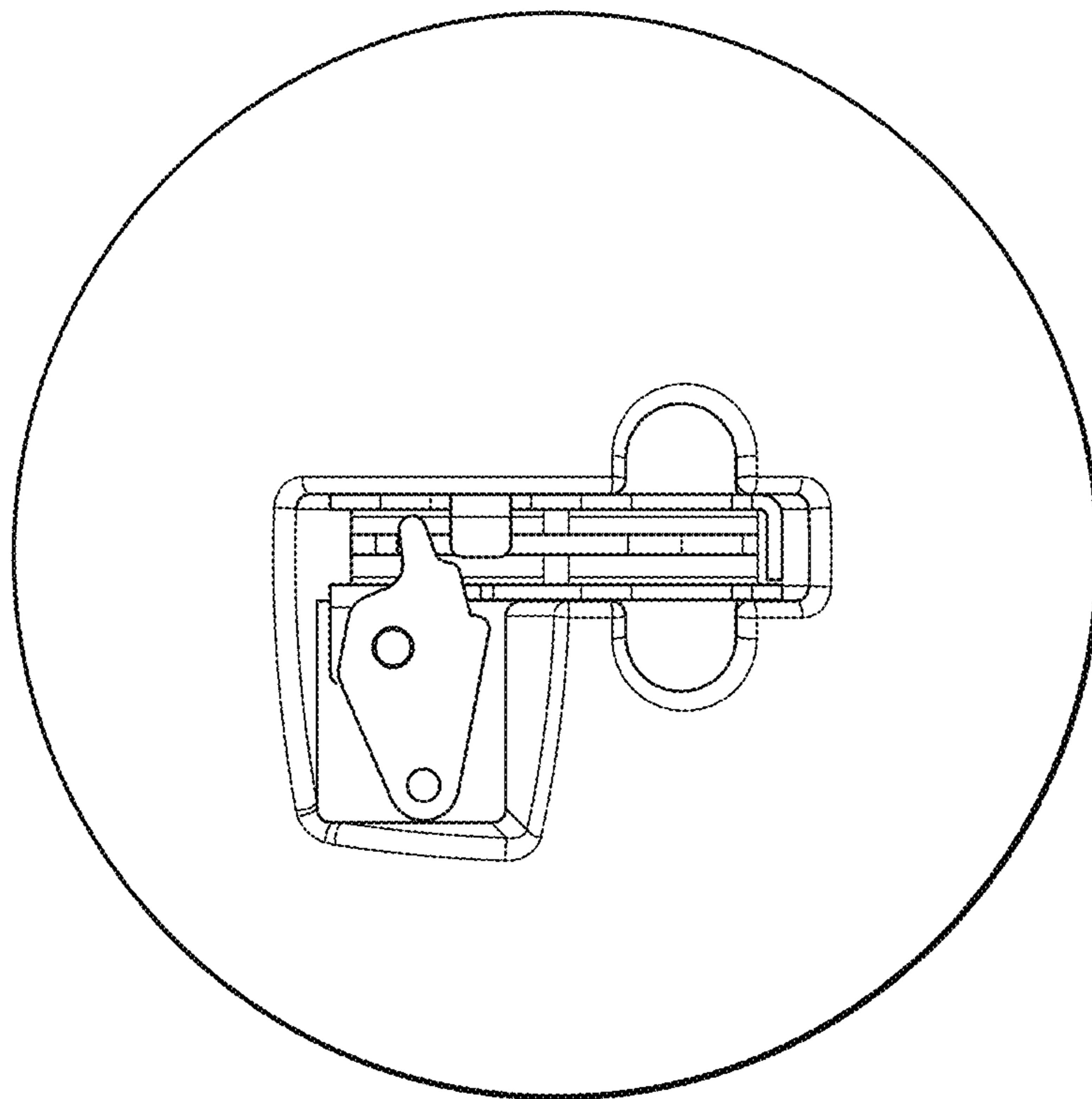


FIG. 3

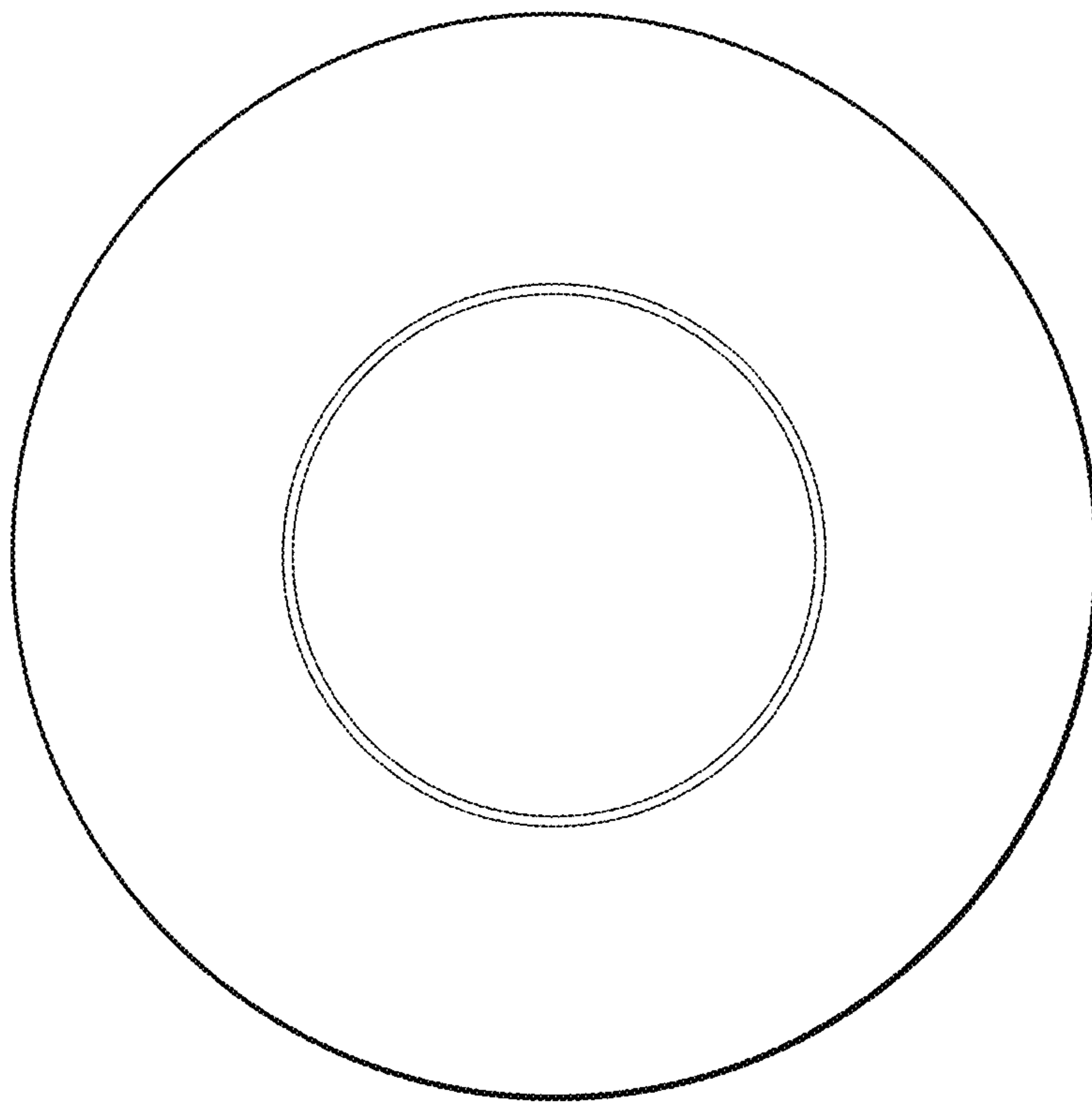


FIG. 4

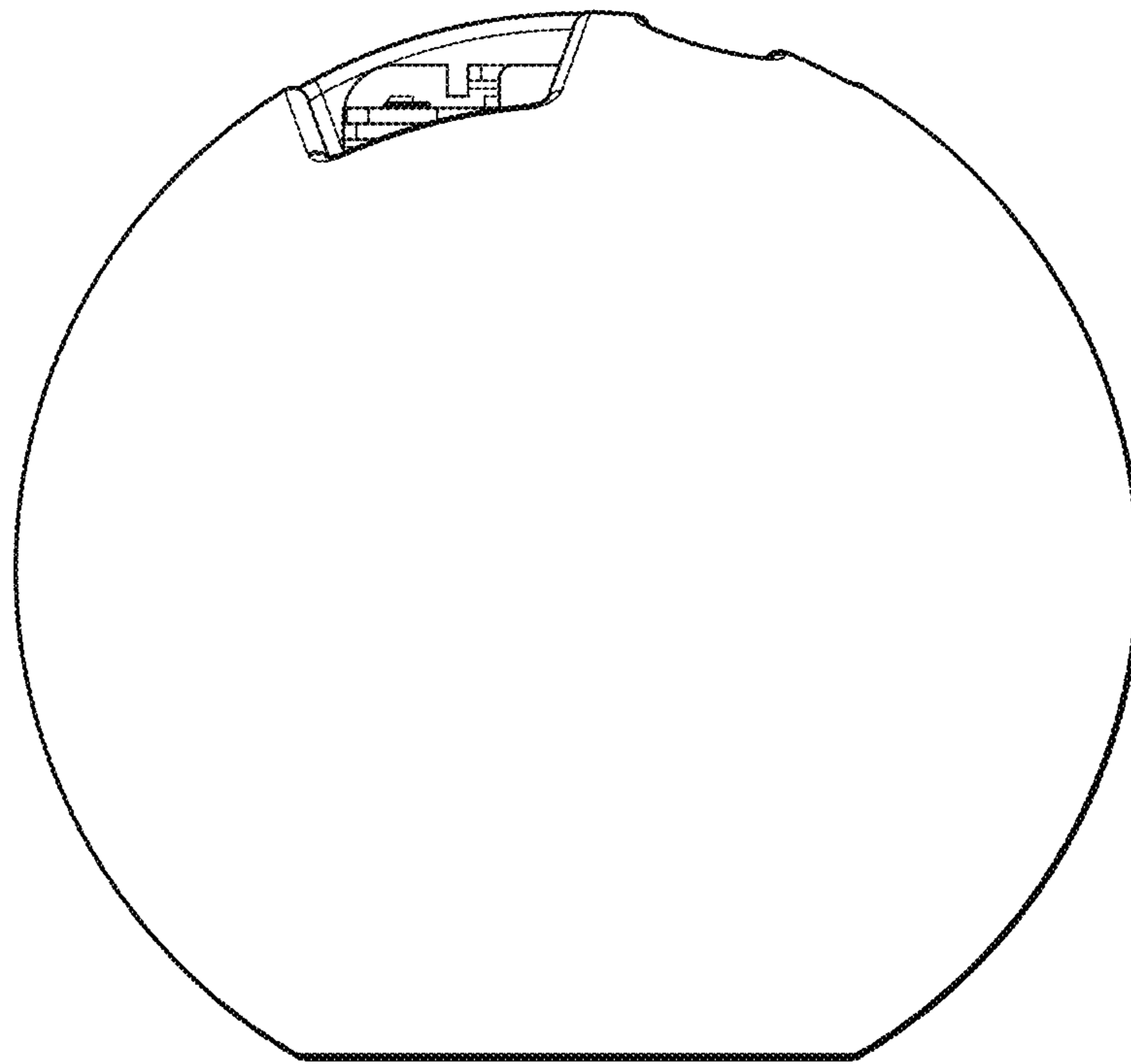


FIG. 5

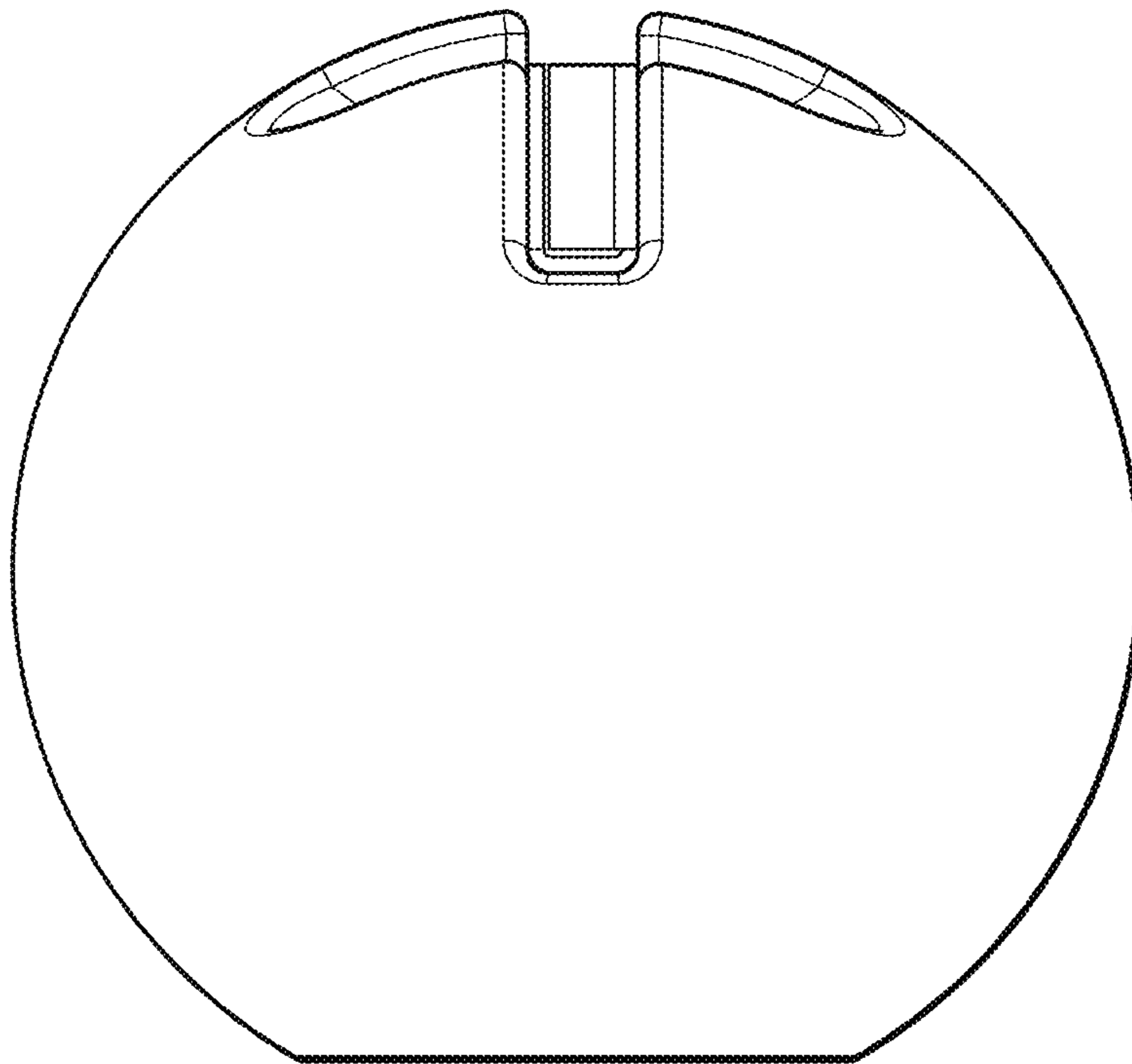


FIG. 6

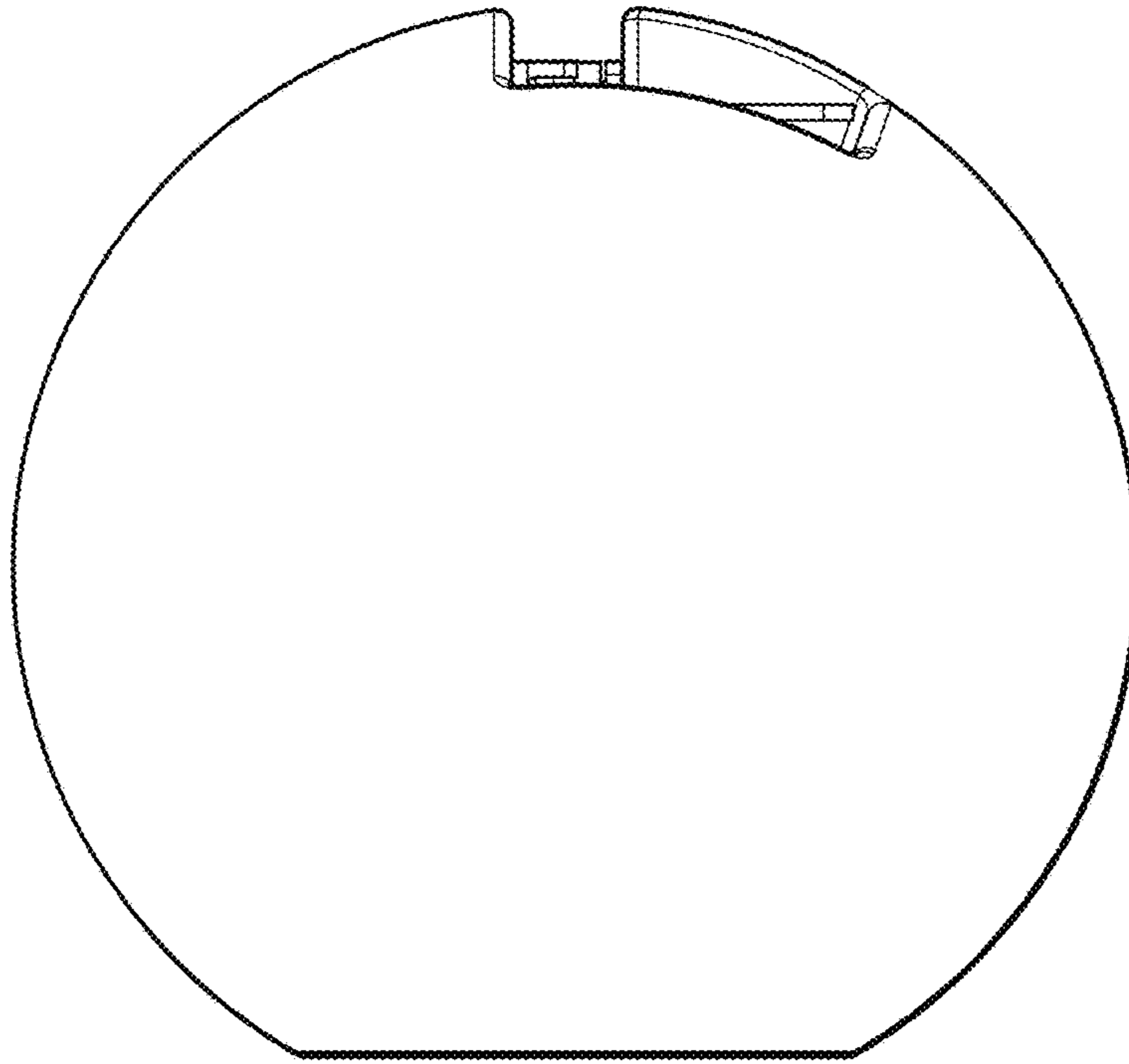


FIG. 7

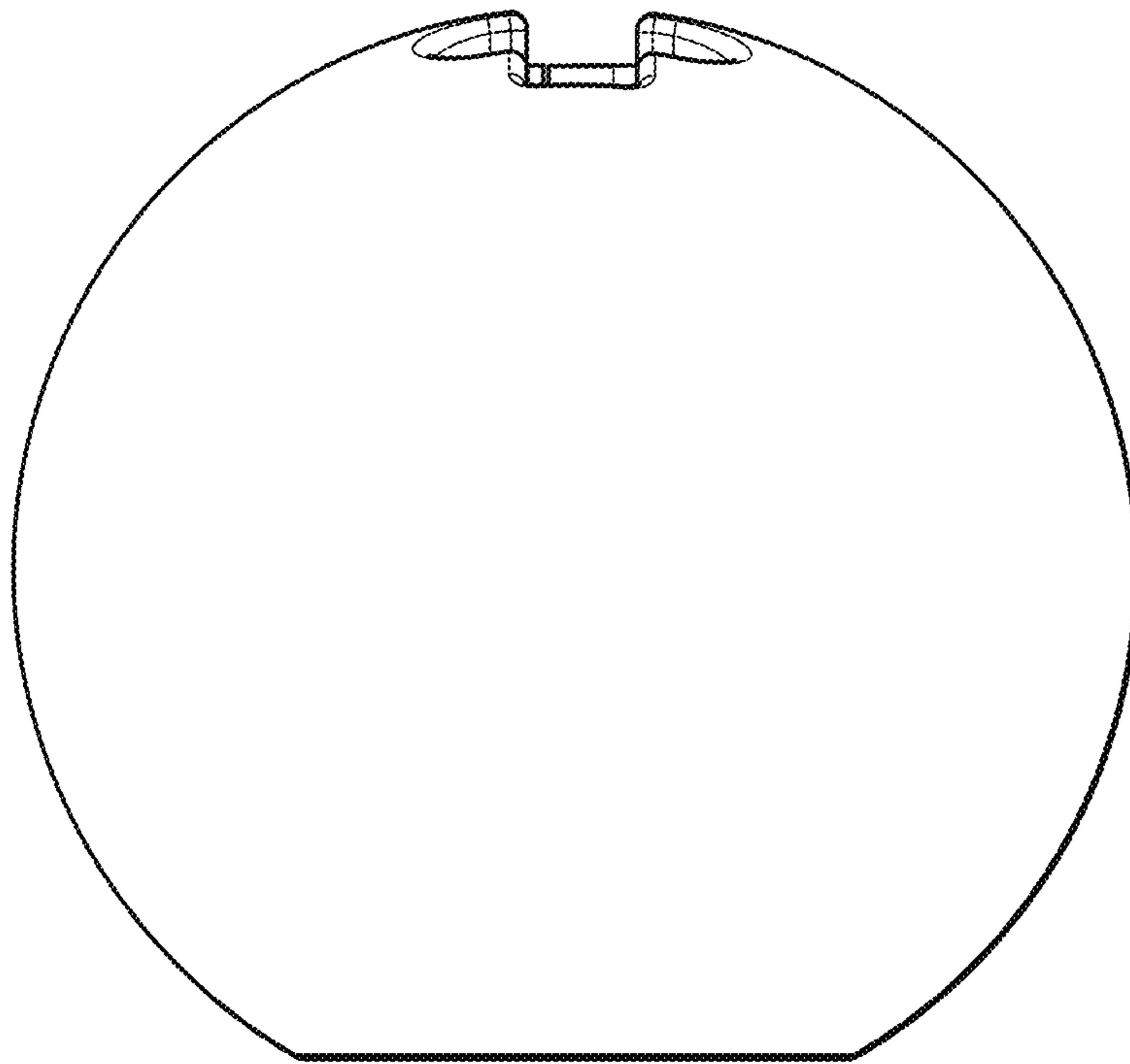


FIG. 8