



US00D847592S

(12) **United States Design Patent** (10) **Patent No.:** **US D847,592 S**  
**Kopp et al.** (45) **Date of Patent:** **\*\* May 7, 2019**

(54) **EXTENDABLE SNOW SHOVEL**  
(71) Applicant: **Suncast Technologies, LLC**, Palm Beach Gardens, FL (US)  
(72) Inventors: **Robert G. Kopp**, Elburn, IL (US); **Brian C. Donnelly**, Naperville, IL (US); **Michael R. Vogler**, Oswego, IL (US)

D393,991 S \* 5/1998 Tisbo ..... D8/10  
D397,005 S \* 8/1998 Whitehead ..... D8/10  
5,951,078 A \* 9/1999 Whitehead ..... E01H 5/02  
294/54.5  
D487,680 S \* 3/2004 Sickler ..... D8/10  
D546,644 S \* 7/2007 Rosine ..... D8/10  
D766,053 S \* 9/2016 Kunnas ..... D8/10  
D786,635 S \* 5/2017 Hua ..... D8/10  
2015/0123413 A1\* 5/2015 Spataro ..... E01H 5/02  
294/54.5

(73) Assignee: **Suncast Technologies, LLC**, Palm Beach Gardens, FL (US)

\* cited by examiner

(\*\*) Term: **15 Years**

*Primary Examiner* — Sandra S Snapp  
*Assistant Examiner* — Ieisha N Price

(21) Appl. No.: **29/611,474**

(74) *Attorney, Agent, or Firm* — McHale & Slavin, & P.A.

(22) Filed: **Jul. 21, 2017**

**Related U.S. Application Data**

(57) **CLAIM**

(63) Continuation of application No. 29/604,676, filed on May 19, 2017.

The ornamental design for an extendable snow shovel, as shown and described.

(51) **LOC (11) Cl.** ..... **08-01**

(52) **U.S. Cl.**  
USPC ..... **D8/10**

**DESCRIPTION**

(58) **Field of Classification Search**  
USPC ..... D8/1, 7, 10, 499; D21/483, 532  
CPC .... E01H 5/00; E01H 5/02; A01B 1/02; A01B 1/022; A01B 1/026; A01B 1/22; A01B 15/02; B25G 1/00; B25G 1/04; B25G 1/102; Y10T 16/4713; Y10T 16/476; Y10T 16/473

FIG. 1 is a front top right perspective view of the extendable snow shovel of the present invention;  
FIG. 2 is a left side view thereof;  
FIG. 3 is a right side view thereof;  
FIG. 4 is a rear view thereof;  
FIG. 5 is a front view thereof;  
FIG. 6 is a top view thereof;  
FIG. 7 is a bottom view thereof;  
FIG. 8 is a front top left perspective view thereof; and,  
FIG. 9 is a front bottom left perspective view thereof.  
The portions of the extendable snow shovel illustrated in broken lines forms no part of the claimed design.

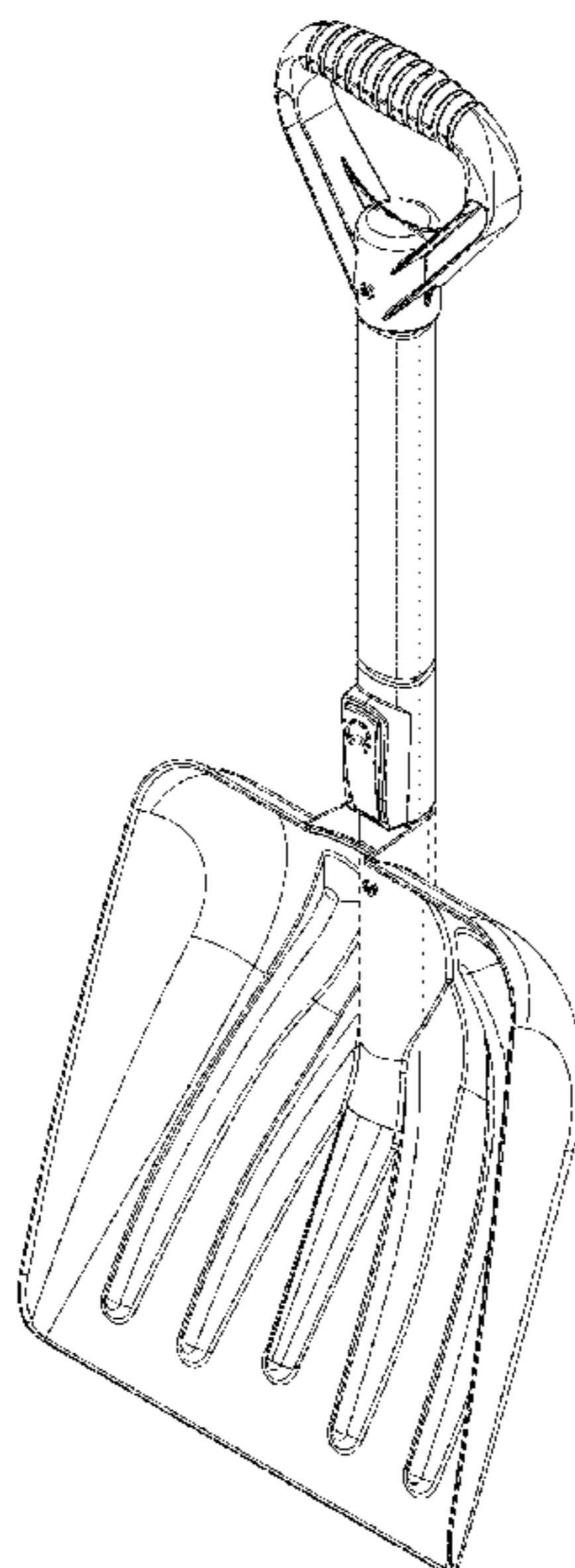
See application file for complete search history.

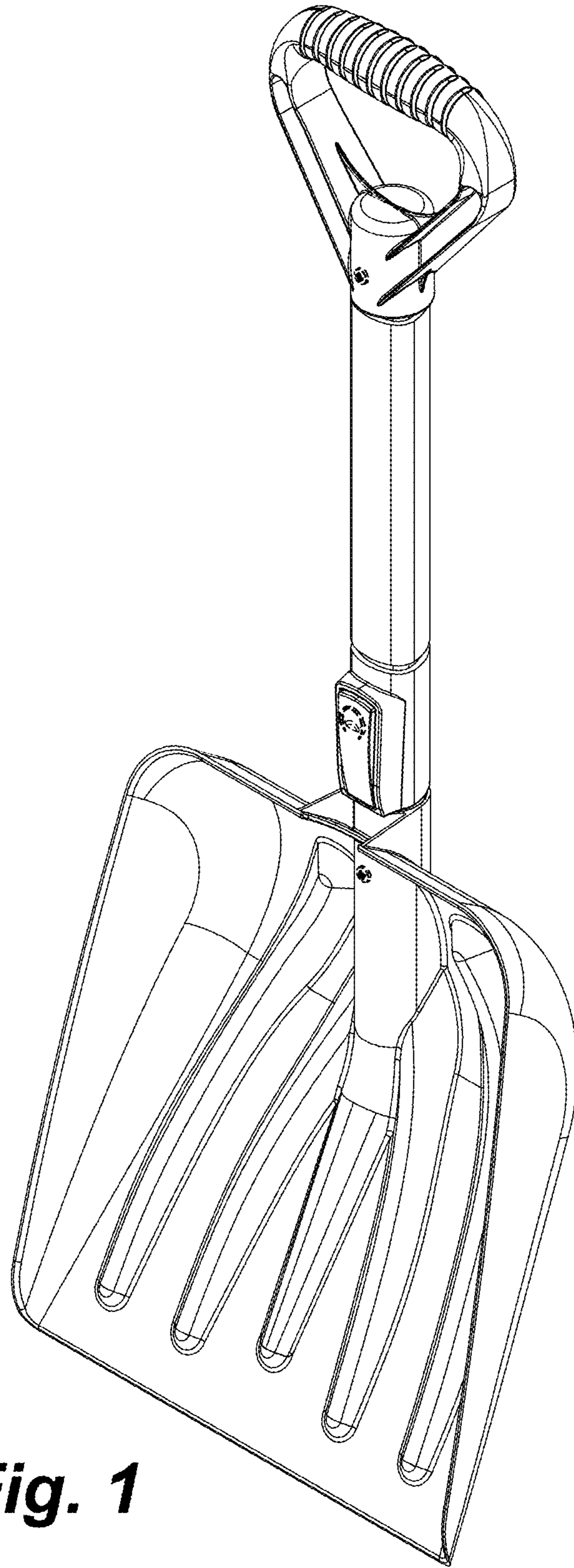
(56) **References Cited**

**U.S. PATENT DOCUMENTS**

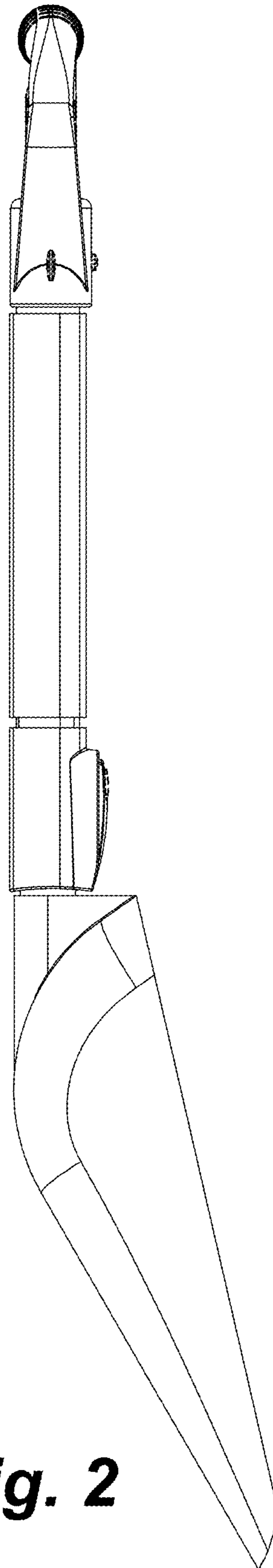
5,220,707 A \* 6/1993 Newman, Sr. .... B05C 17/0205  
15/144.4  
D393,990 S \* 5/1998 Whitehead ..... D8/10

**1 Claim, 8 Drawing Sheets**

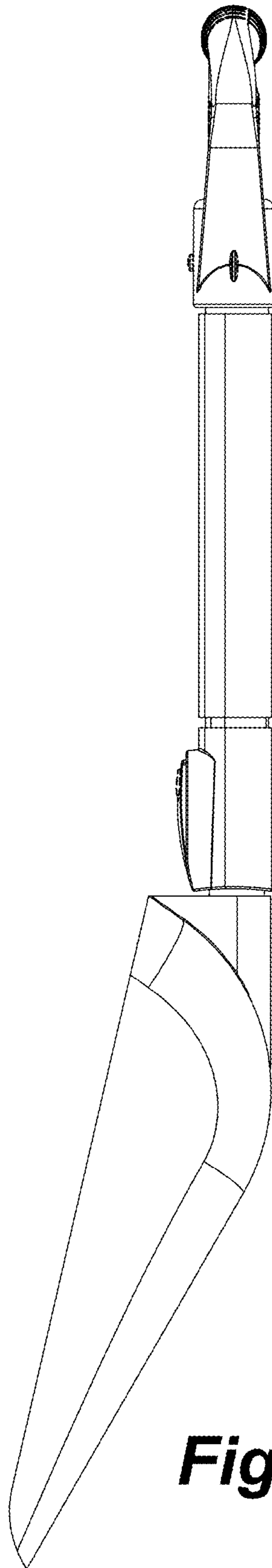




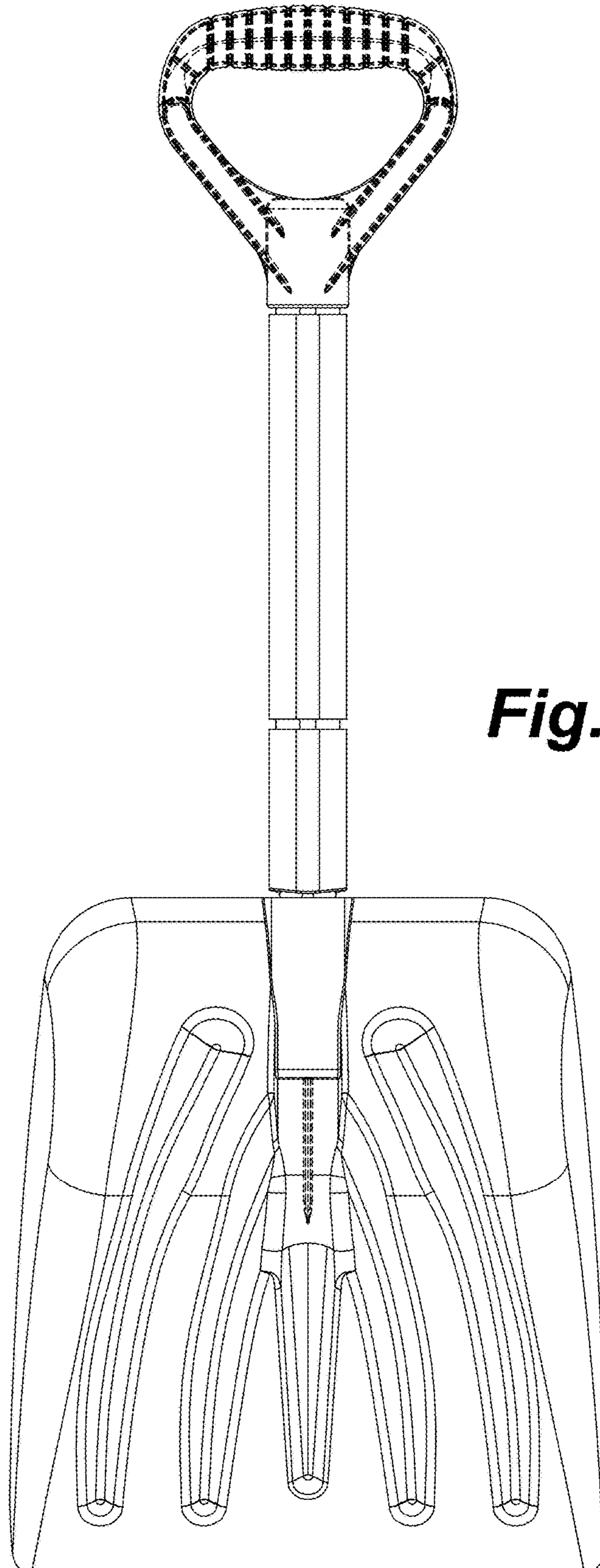
**Fig. 1**



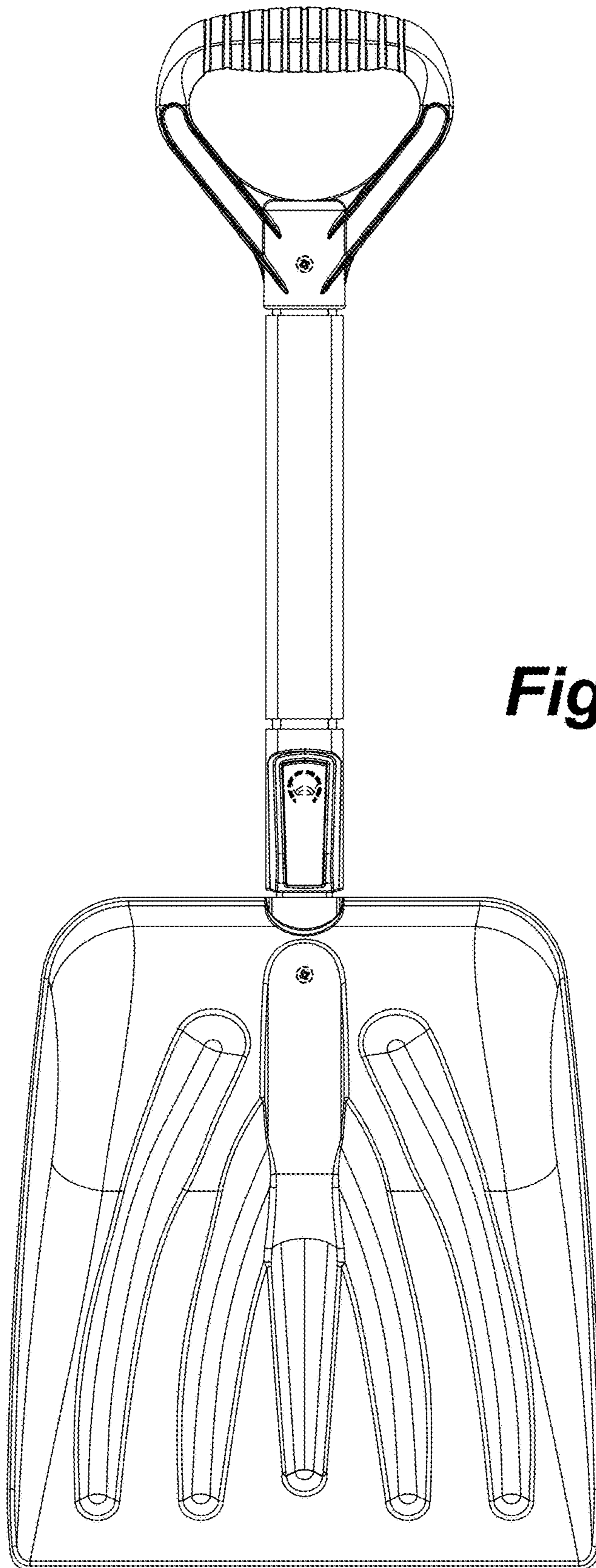
**Fig. 2**



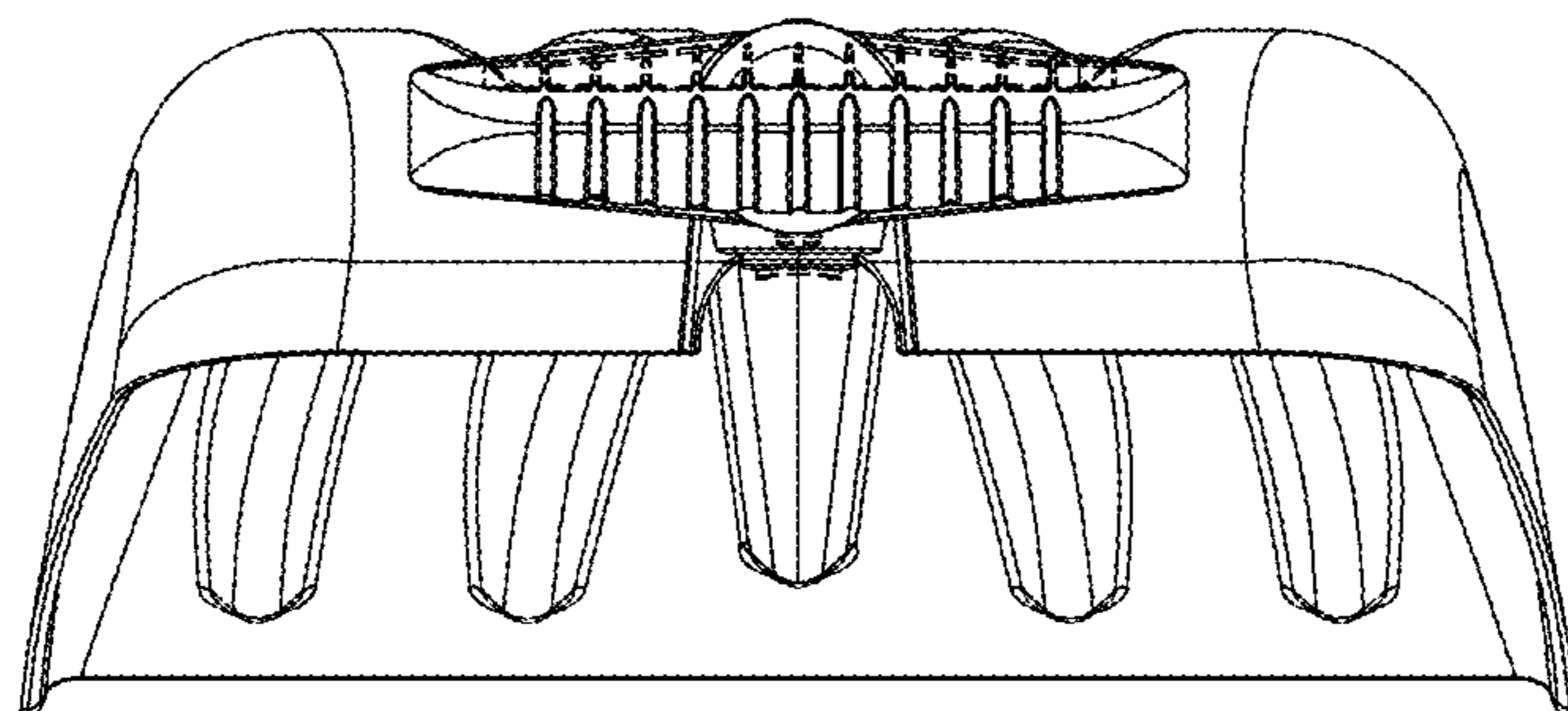
**Fig. 3**



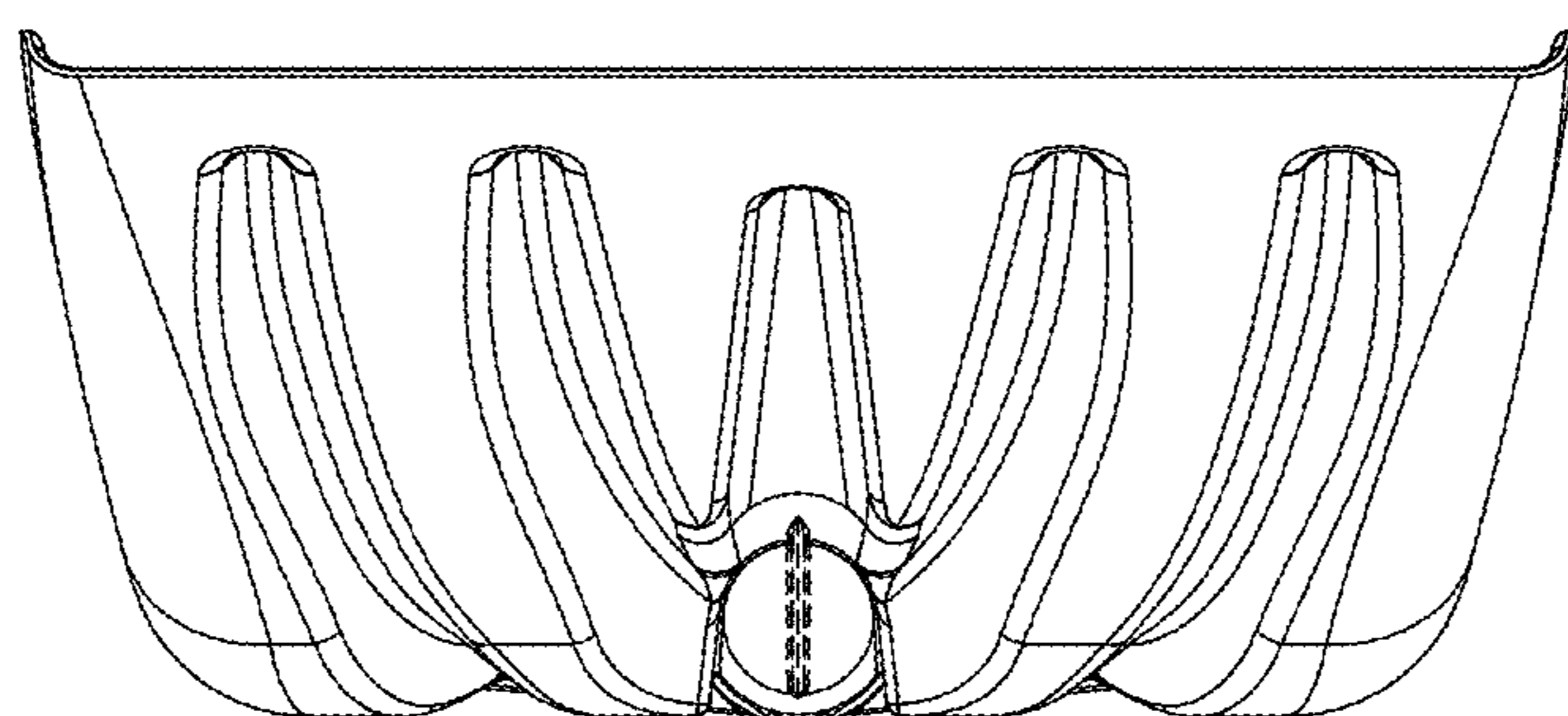
**Fig. 4**



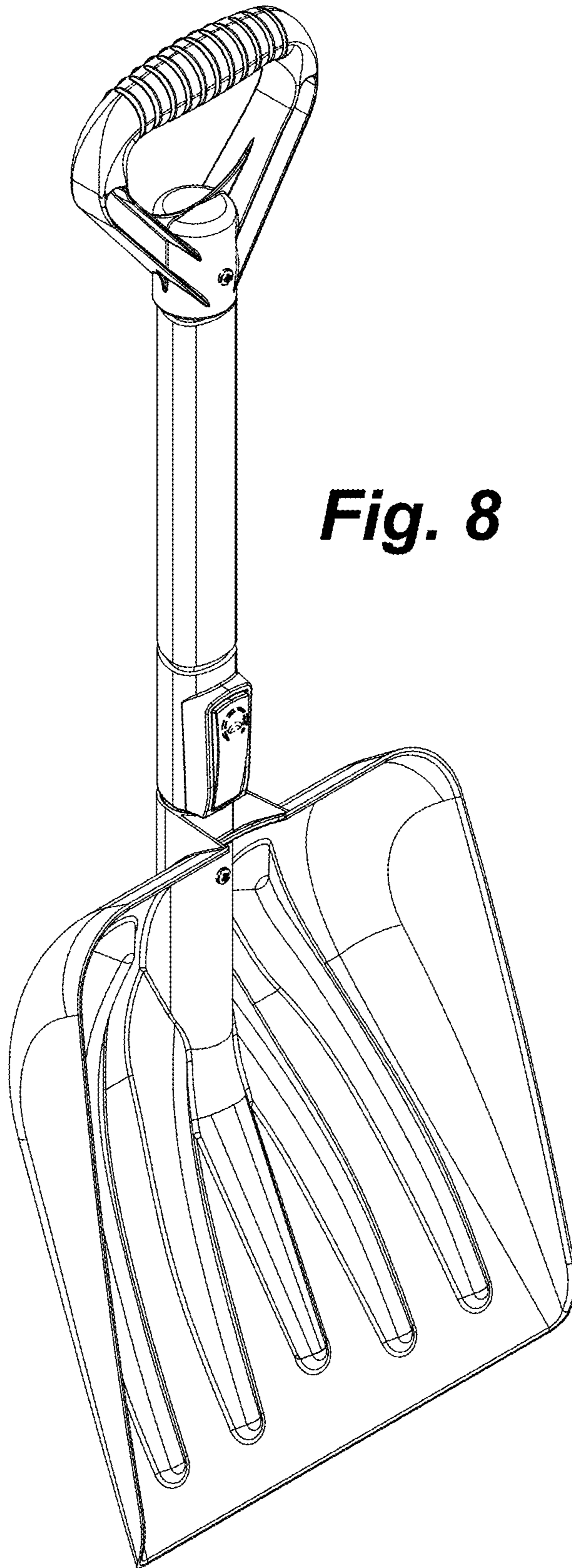
**Fig. 5**



***Fig. 6***

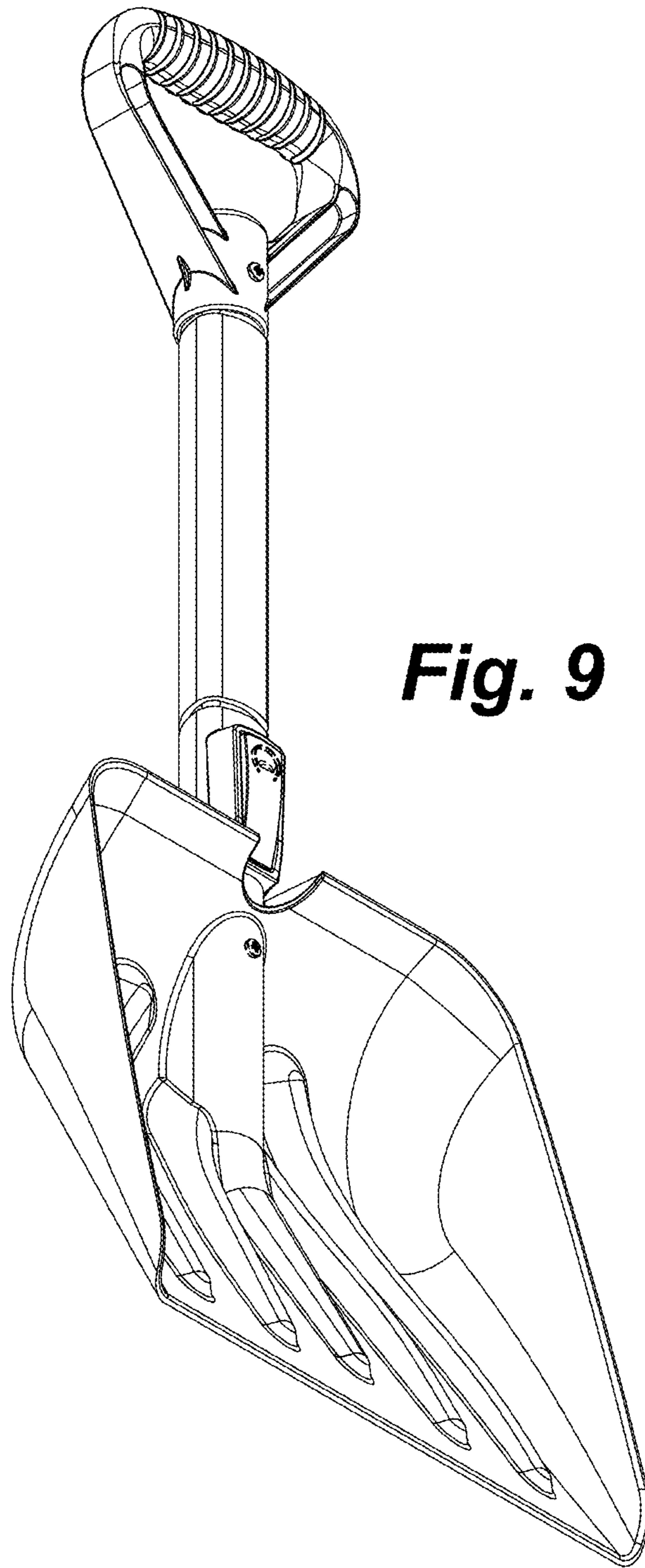


***Fig. 7***



**Fig. 8**





**Fig. 9**