



US00D847591S

(12) **United States Design Patent** (10) **Patent No.:** **US D847,591 S**
Kopp et al. (45) **Date of Patent:** **** May 7, 2019**

- (54) **EXTENDABLE SNOW SHOVEL**
- (71) Applicant: **Suncast Technologies, LLC**, Palm Beach Gardens, FL (US)
- (72) Inventors: **Robert G. Kopp**, Elburn, IL (US); **Brian C. Donnelly**, Naperville, IL (US); **Michael R. Vogler**, Oswego, IL (US)
- (73) Assignee: **Suncast Technologies, LLC**, Palm Beach Gardens, FL (US)
- (**) Term: **15 Years**
- (21) Appl. No.: **29/604,676**
- (22) Filed: **May 19, 2017**
- (51) **LOC (11) Cl.** **08-01**
- (52) **U.S. Cl.**
USPC **D8/10**
- (58) **Field of Classification Search**
USPC D8/1, 7, 10, 499; D21/483, 532
CPC E01H 5/00; E01H 5/02; A01B 1/02; A01B 1/022; A01B 1/026; A01B 1/22; A01B 15/02; B25G 1/00; B25G 1/04; B25G 1/102; Y10T 16/4713; Y10T 16/476; Y10T 16/473
See application file for complete search history.

D393,991 S *	5/1998	Tisbo	D8/10
D397,005 S *	8/1998	Whitehead	D8/10
5,951,078 A *	9/1999	Whitehead	E01H 5/02 294/54.5
D487,680 S *	3/2004	Sickler	D8/10
D546,644 S *	7/2007	Rosine	D8/10
D766,053 S *	9/2016	Kunnas	D8/10
D786,635 S *	5/2017	Hua	D8/10
2015/0123413 A1 *	5/2015	Spataro	E01H 5/02 294/54.5

* cited by examiner

Primary Examiner — Sandra S Snapp

Assistant Examiner — Ieisha N Price

(74) *Attorney, Agent, or Firm* — McHale & Slavin, P.A.

(57) **CLAIM**

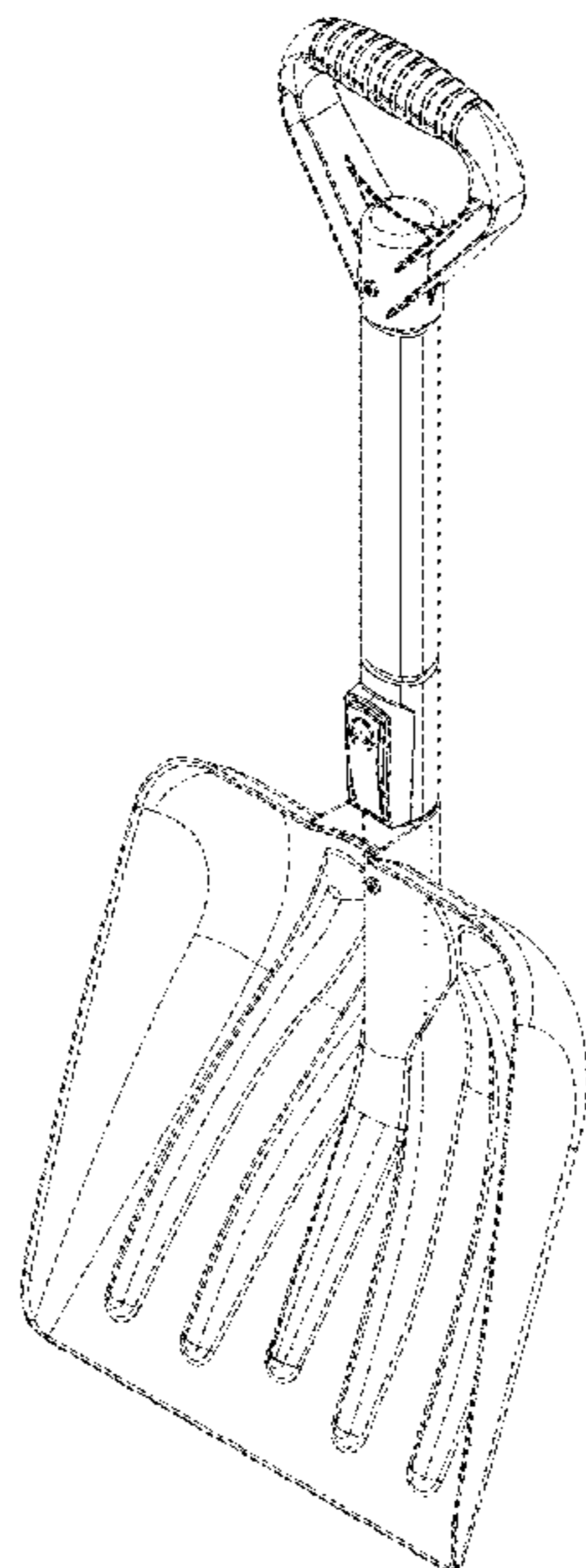
The ornamental design for an extendable snow shovel, as shown and described.

DESCRIPTION

FIG. 1 is a top right perspective view of the extendable snow shovel of the present invention;
 FIG. 2 is a left side view thereof;
 FIG. 3 is a right side view thereof;
 FIG. 4 is a rear view thereof;
 FIG. 5 is a front view thereof;
 FIG. 6 is a top view thereof;
 FIG. 7 is a bottom view thereof;
 FIG. 8 is a top left perspective view thereof; and,
 FIG. 9 is a bottom left perspective view thereof.
 The portions of the extendable snow shovel illustrated in broken lines form no part of the claimed design.

1 Claim, 8 Drawing Sheets

- (56) **References Cited**
U.S. PATENT DOCUMENTS
5,220,707 A * 6/1993 Newman, Sr. B05C 17/0205
15/144.4
D393,990 S * 5/1998 Whitehead D8/10



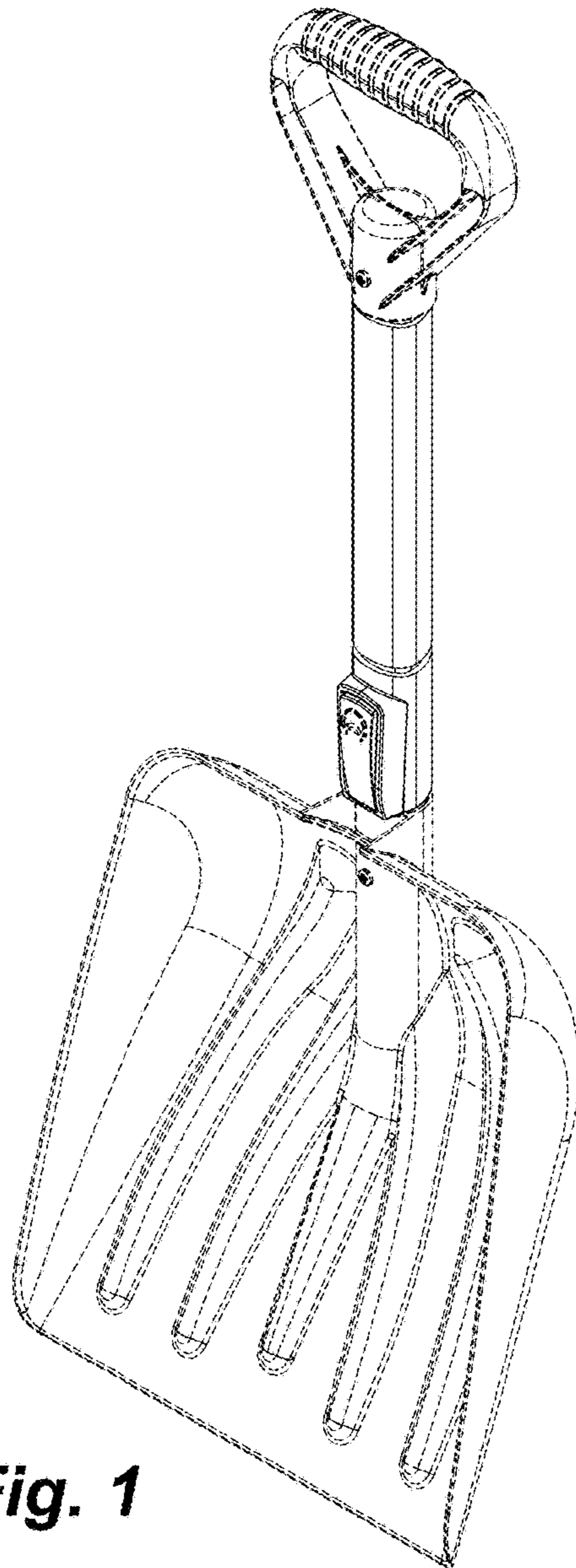


Fig. 1

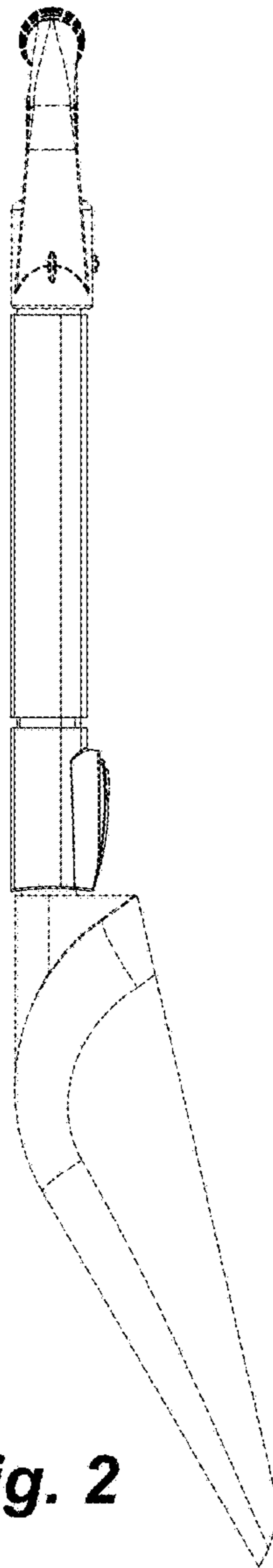


Fig. 2

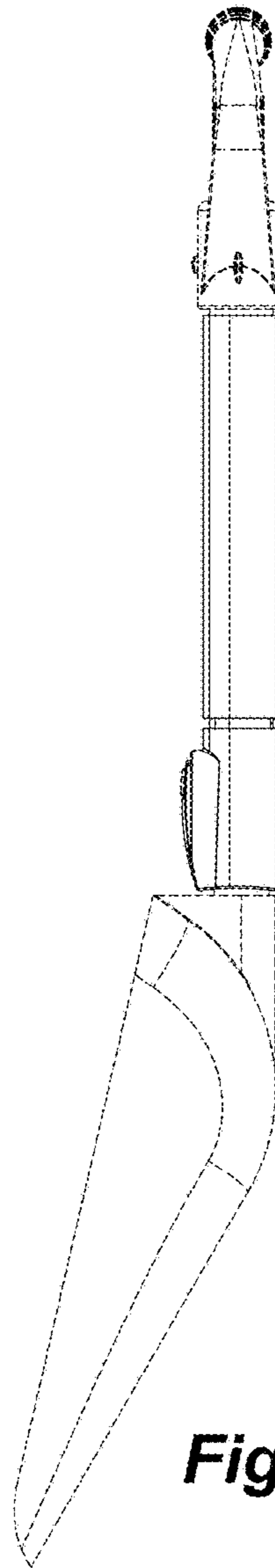


Fig. 3

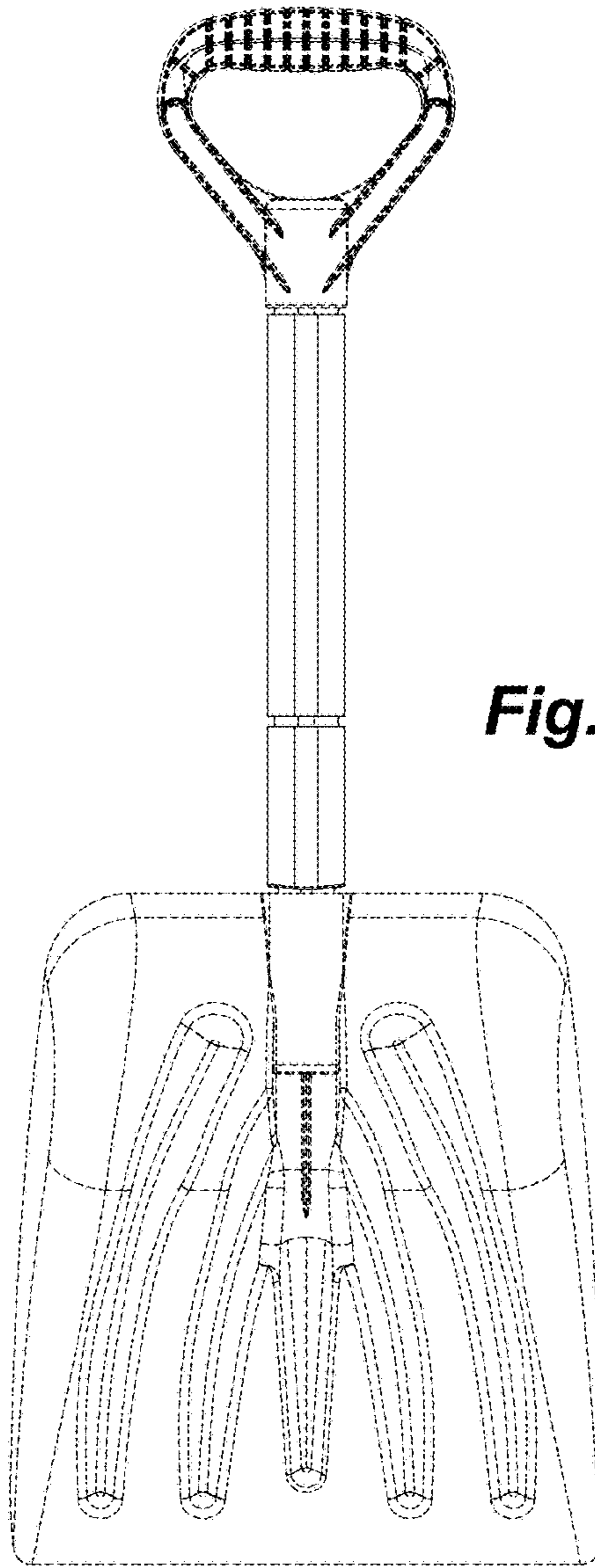


Fig. 4

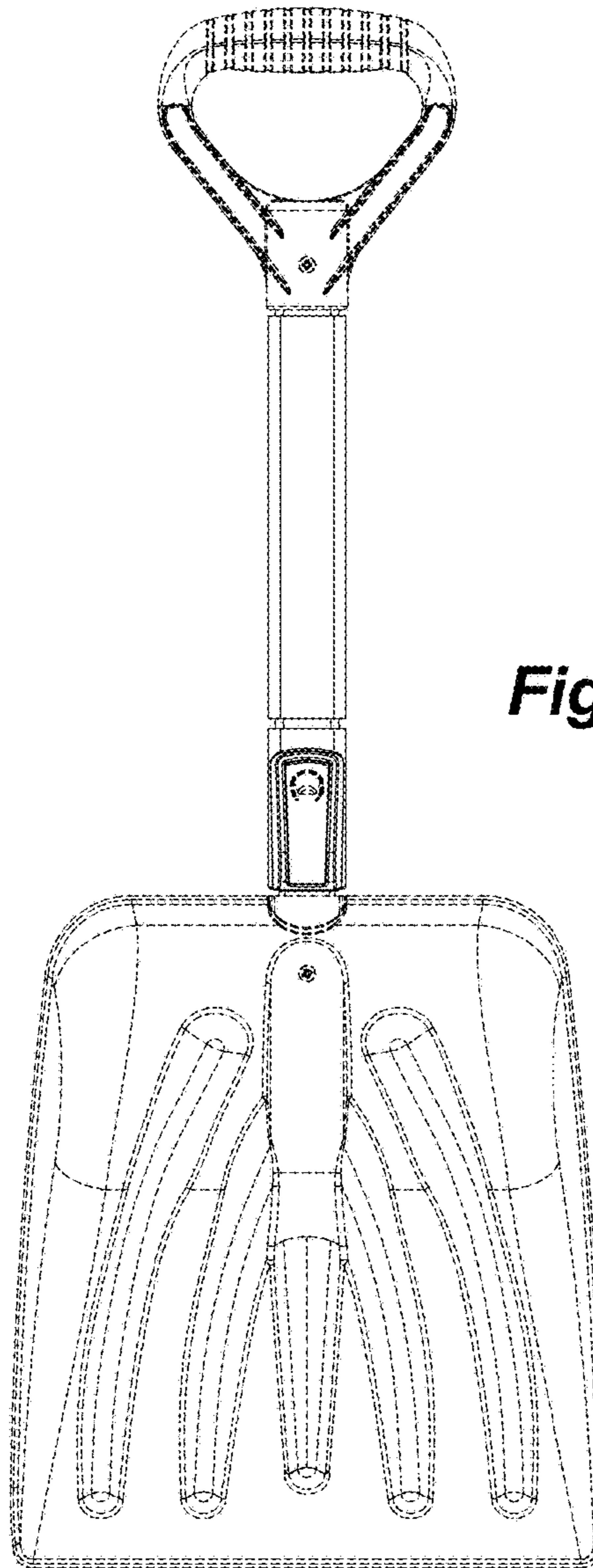


Fig. 5

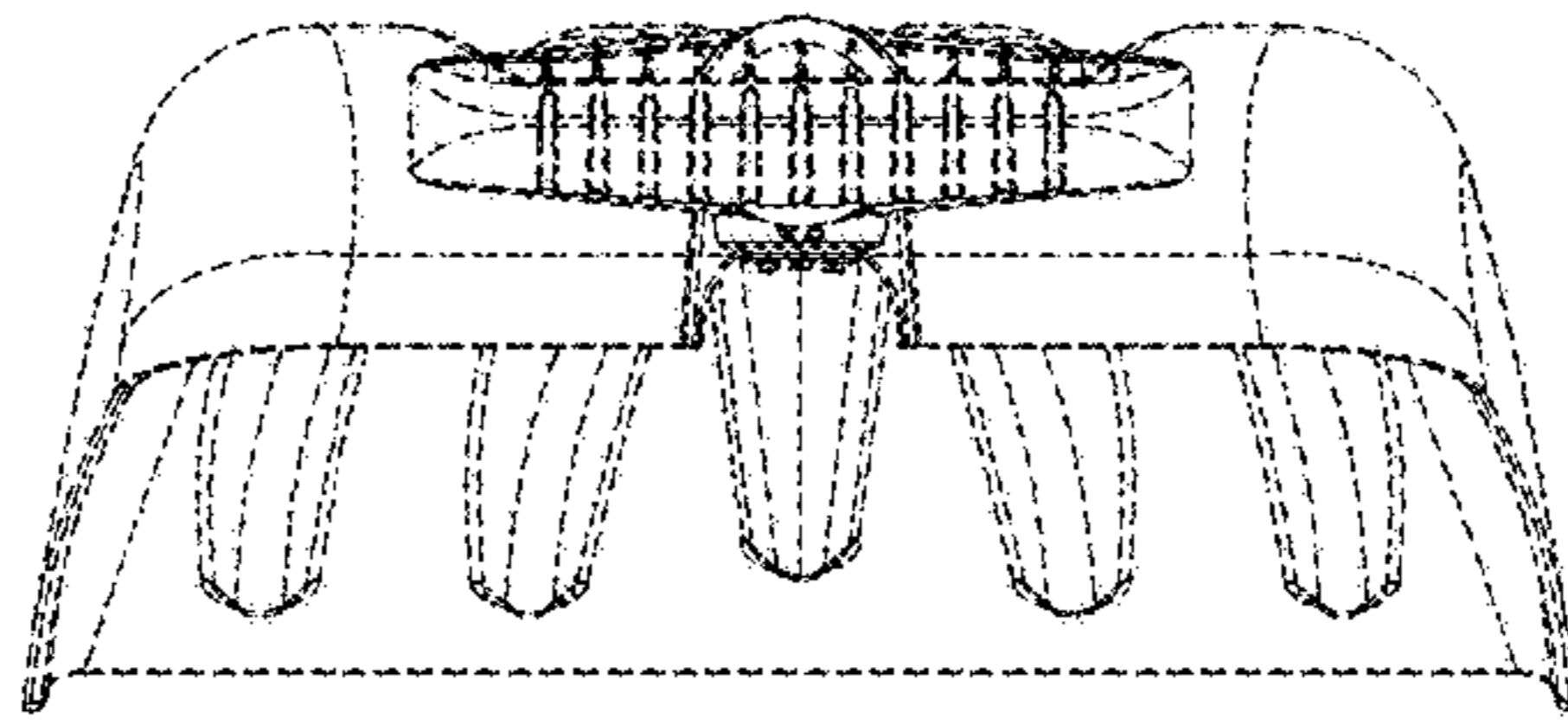


Fig. 6

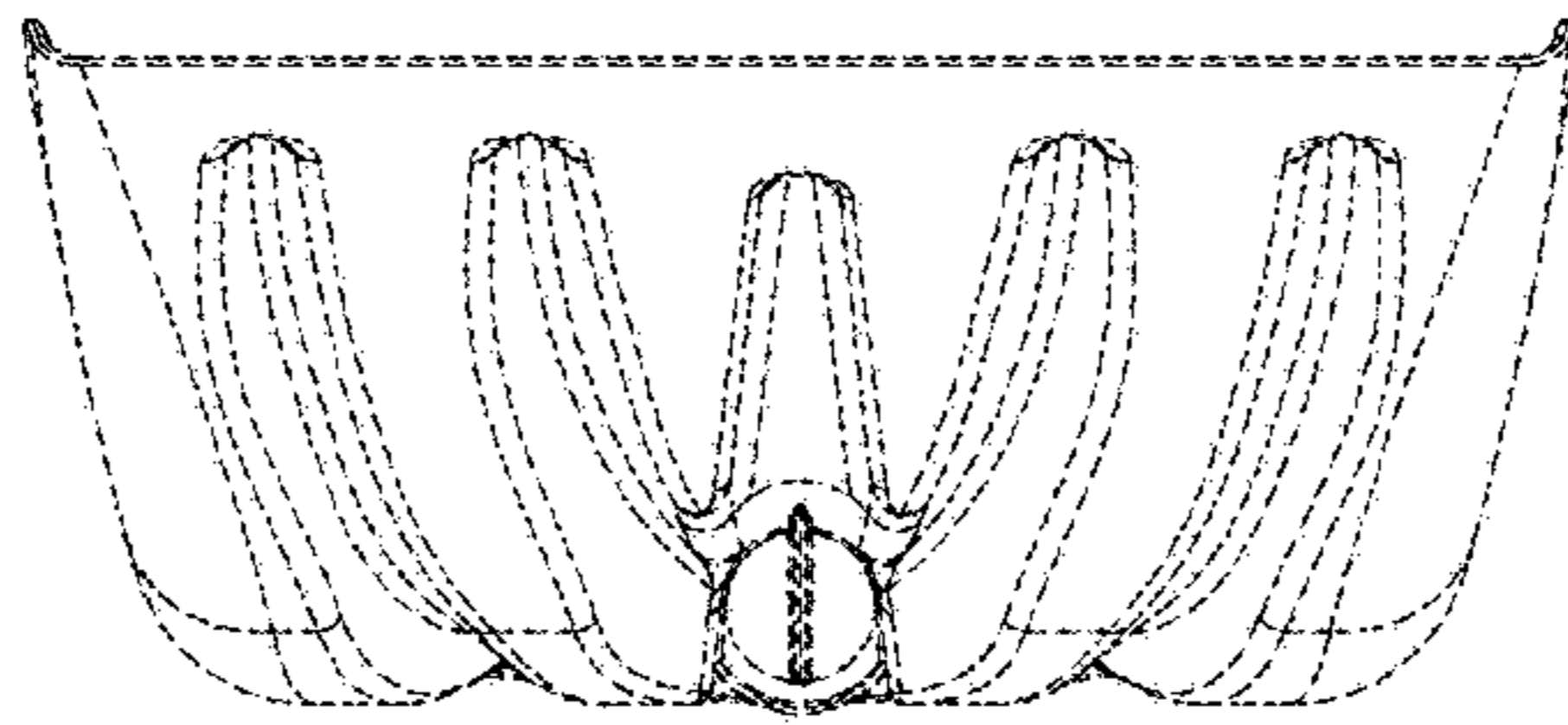
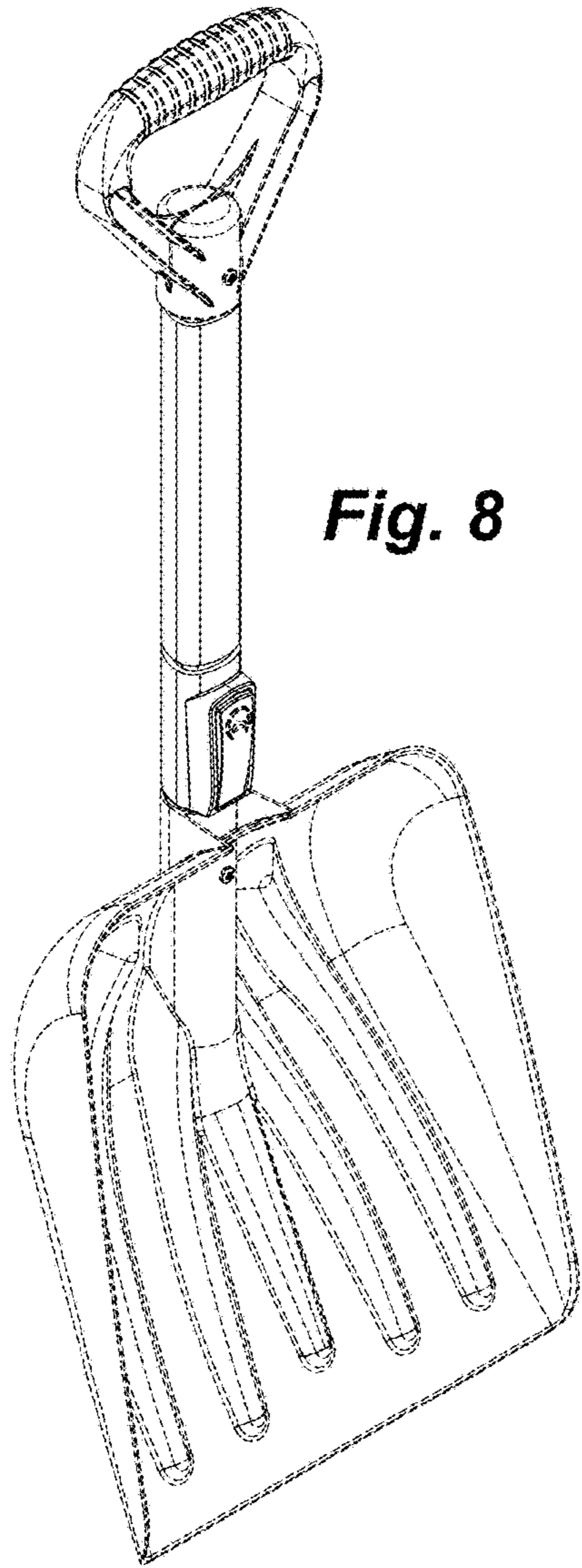


Fig. 7



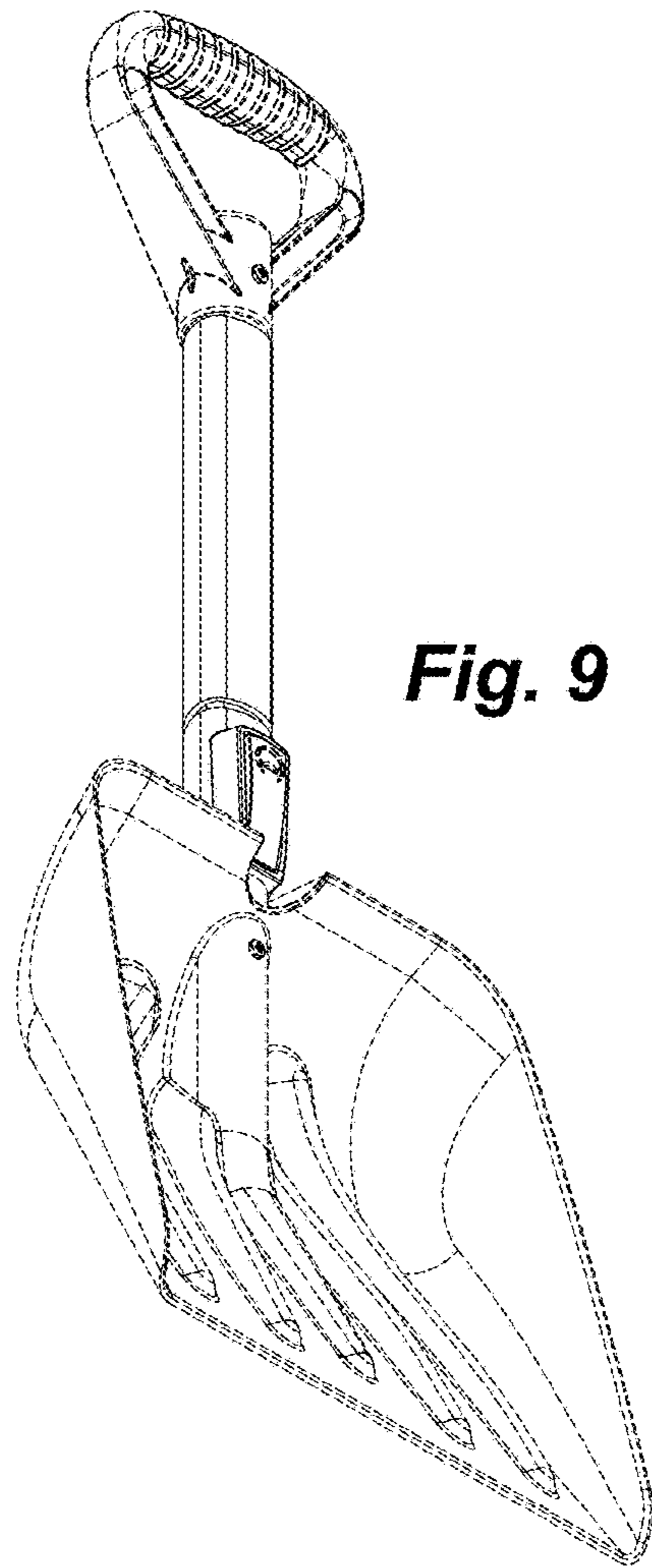


Fig. 9