



US00D847587S

(12) **United States Design Patent**  
**Kuan**

(10) **Patent No.:** **US D847,587 S**

(45) **Date of Patent:** **\*\* May 7, 2019**

(54) **EGG PROCESSING TOOL**

3,749,001 A \* 7/1973 Swett ..... A47J 43/14  
99/499

(71) Applicant: **Huo Feng Hsia Kuan**, New Taipei  
(TW)

D499,312 S \* 12/2004 So ..... D7/667  
D701,435 S \* 3/2014 Robles ..... D7/628  
2012/0125210 A1 \* 5/2012 Myoung ..... A47J 43/14  
99/497

(72) Inventor: **Huo Feng Hsia Kuan**, New Taipei  
(TW)

\* cited by examiner

(\*\*) Term: **15 Years**

*Primary Examiner* — Terry A Wallace  
(74) *Attorney, Agent, or Firm* — Guice Patents PLLC

(21) Appl. No.: **29/635,555**

(57) **CLAIM**

(22) Filed: **Jan. 31, 2018**

The ornamental design for an egg processing tool, as shown and described.

**DESCRIPTION**

(51) **LOC (11) Cl.** ..... **07-04**

(52) **U.S. Cl.**  
USPC ..... **D7/667**

(58) **Field of Classification Search**  
USPC ..... D7/667, 668, 669, 368  
CPC ..... A47J 43/14; A47J 43/00; A47J 43/145;  
A23J 1/08; A23J 1/09  
See application file for complete search history.

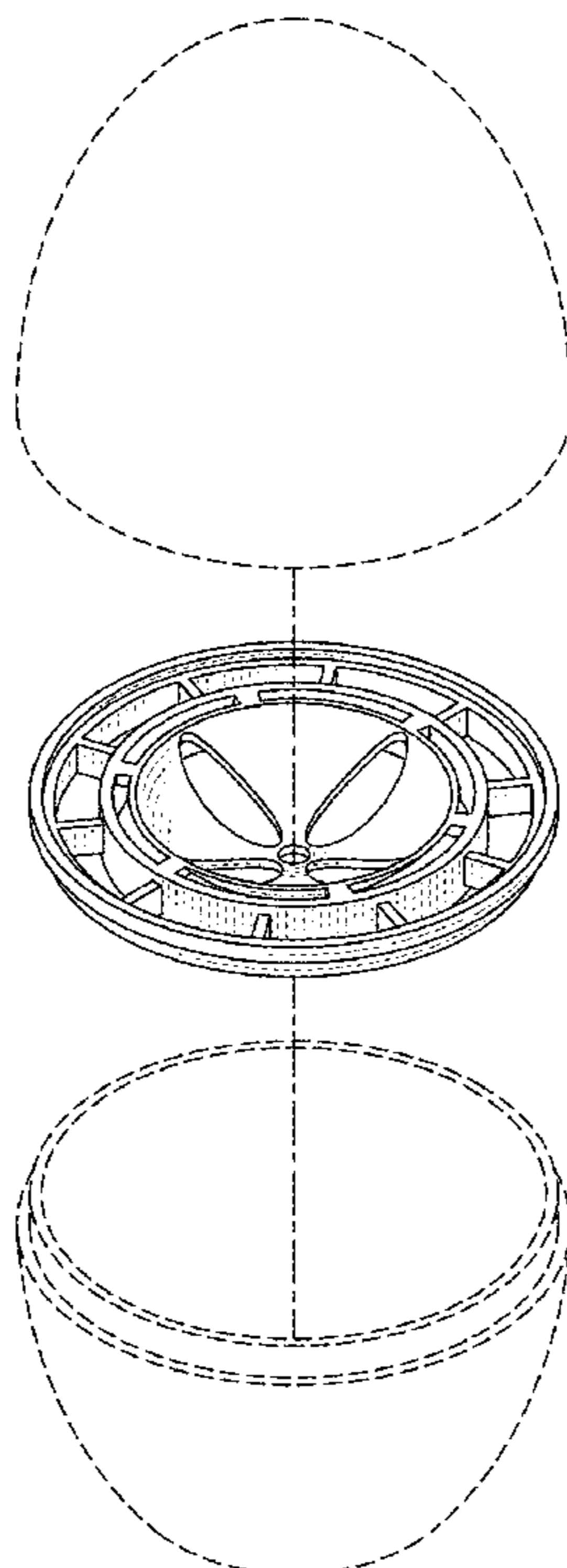
FIG. 1 is a top perspective view of the egg processing tool showing my new design.  
FIG. 2 is a bottom perspective view thereof.  
FIG. 3 is a top plan view thereof.  
FIG. 4 is a bottom plan view thereof.  
FIG. 5 is a left side view thereof.  
FIG. 6 is a right side view thereof.  
FIG. 7 is a front view thereof.  
FIG. 8 is a rear view thereof.  
FIG. 9 is a top perspective view thereof, the broken lines are for the purpose of illustrating the structure and form no part of the claimed design; and,  
FIG. 10 is a perspective view of the assembly of FIG. 9.  
The broken lines are included for the purpose of illustrating portions of the structure that form no part of the claimed design.

(56) **References Cited**

**U.S. PATENT DOCUMENTS**

2,018,162 A \* 10/1935 Weldon ..... A47J 43/14  
99/499  
2,212,502 A \* 8/1940 Leahey ..... A47J 43/14  
99/499  
3,656,525 A \* 4/1972 Goodart ..... A47J 43/14  
99/499

**1 Claim, 7 Drawing Sheets**



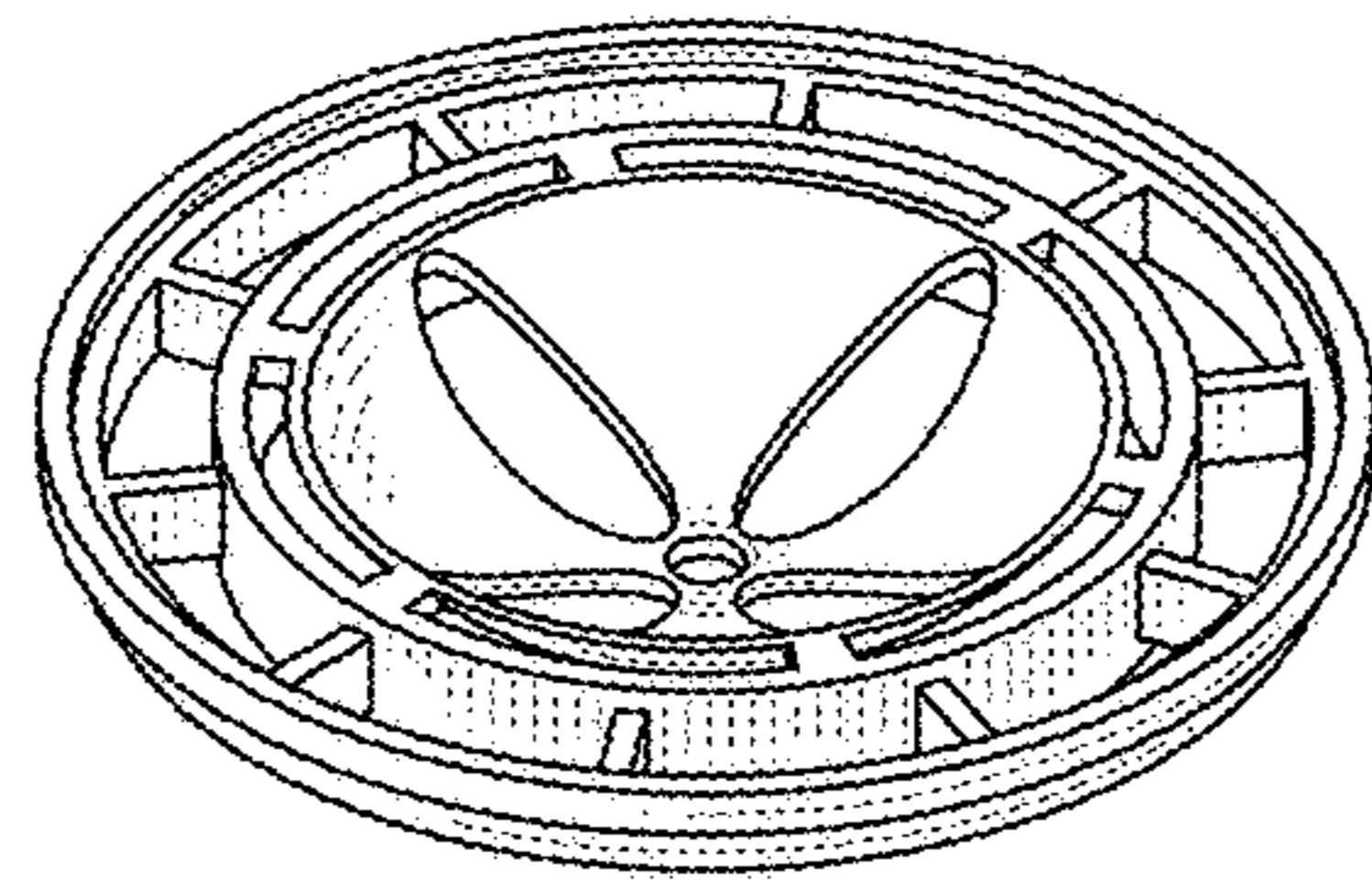


FIG. 1

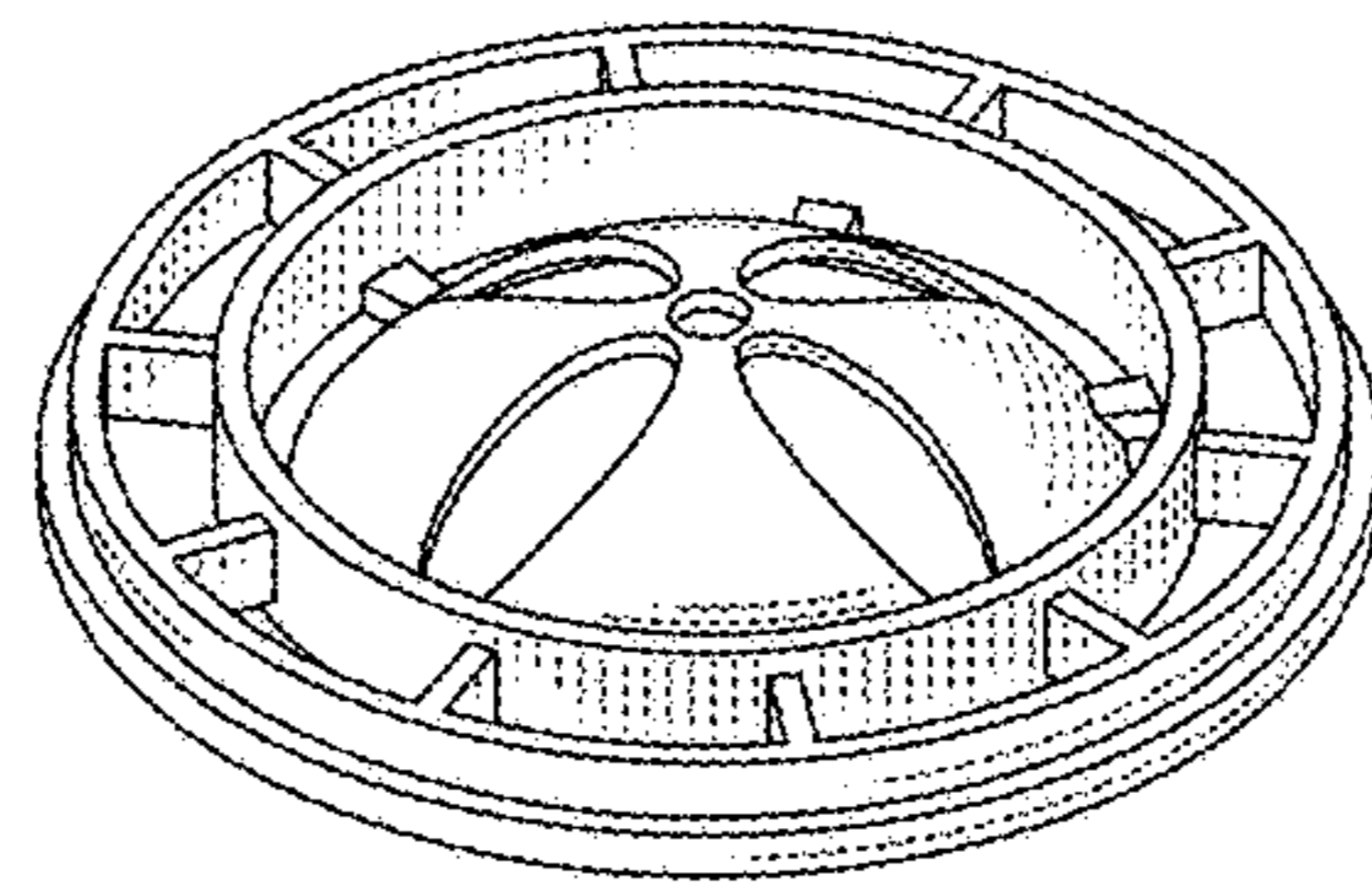


FIG. 2

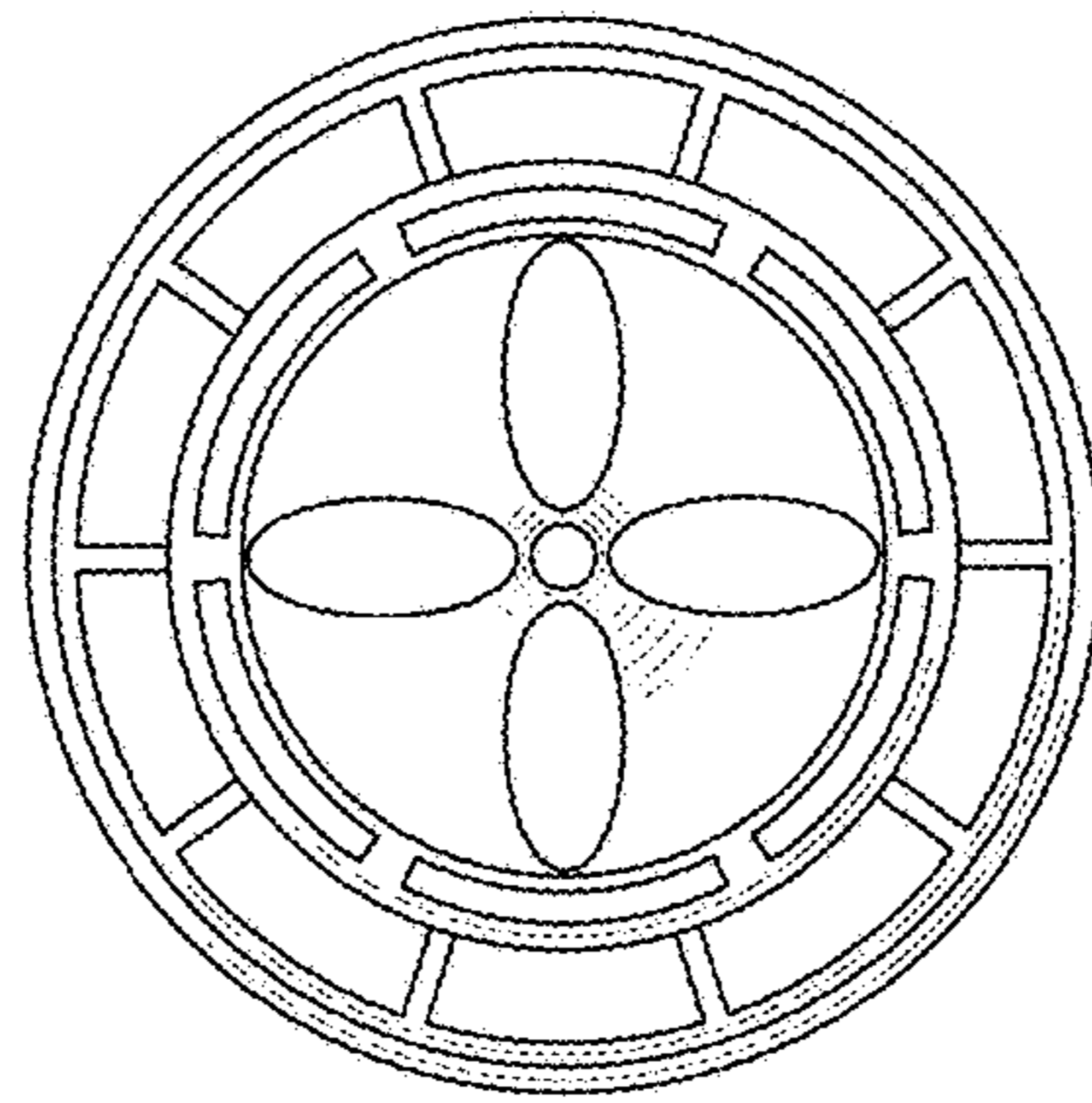


FIG. 3

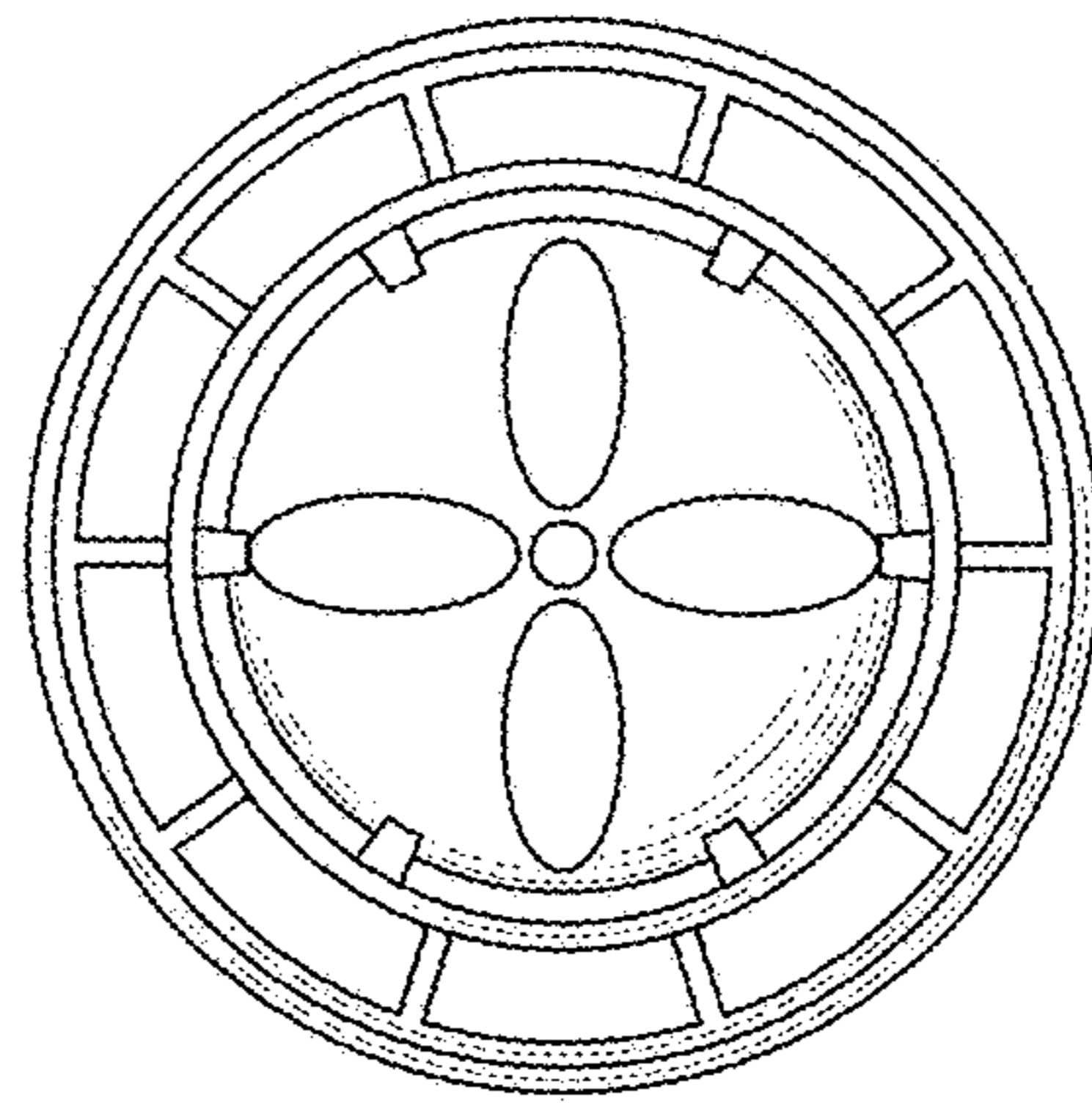


FIG. 4



FIG. 5



FIG. 6



FIG .7

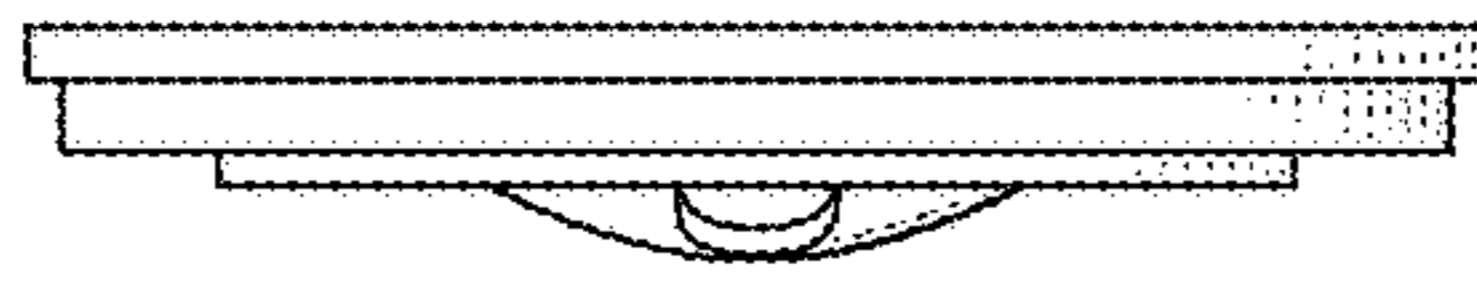


FIG .8

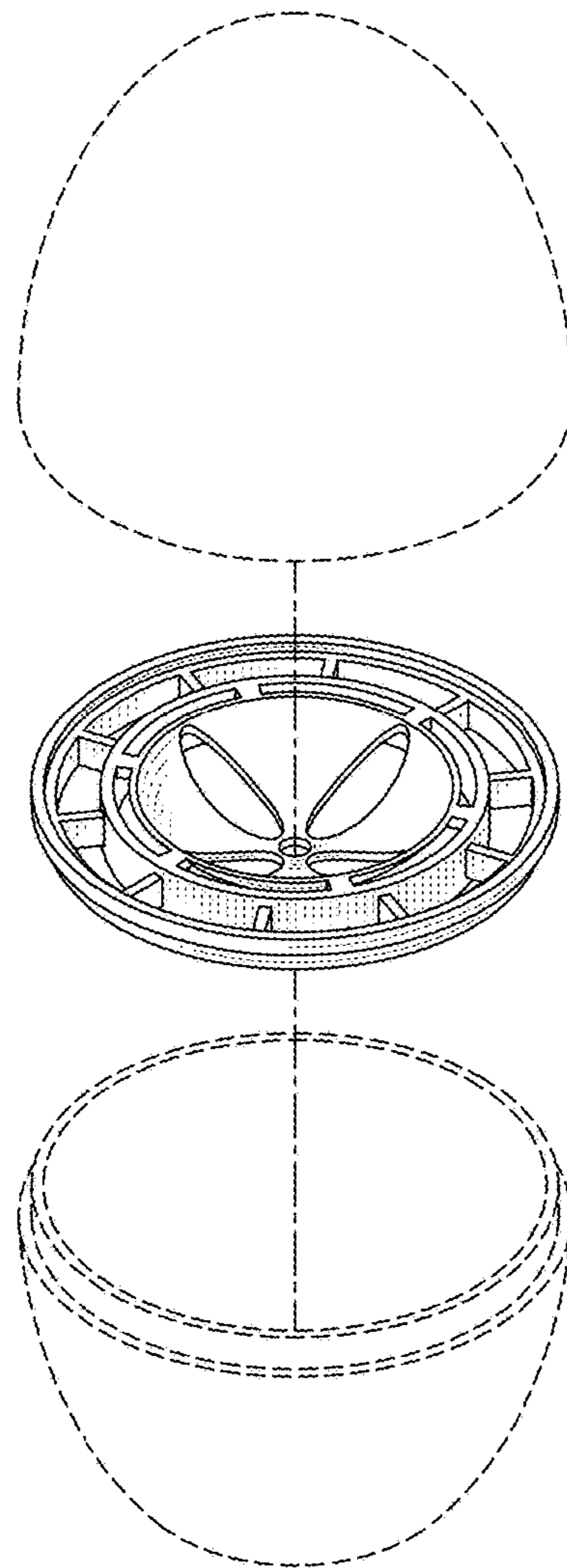


FIG. 9

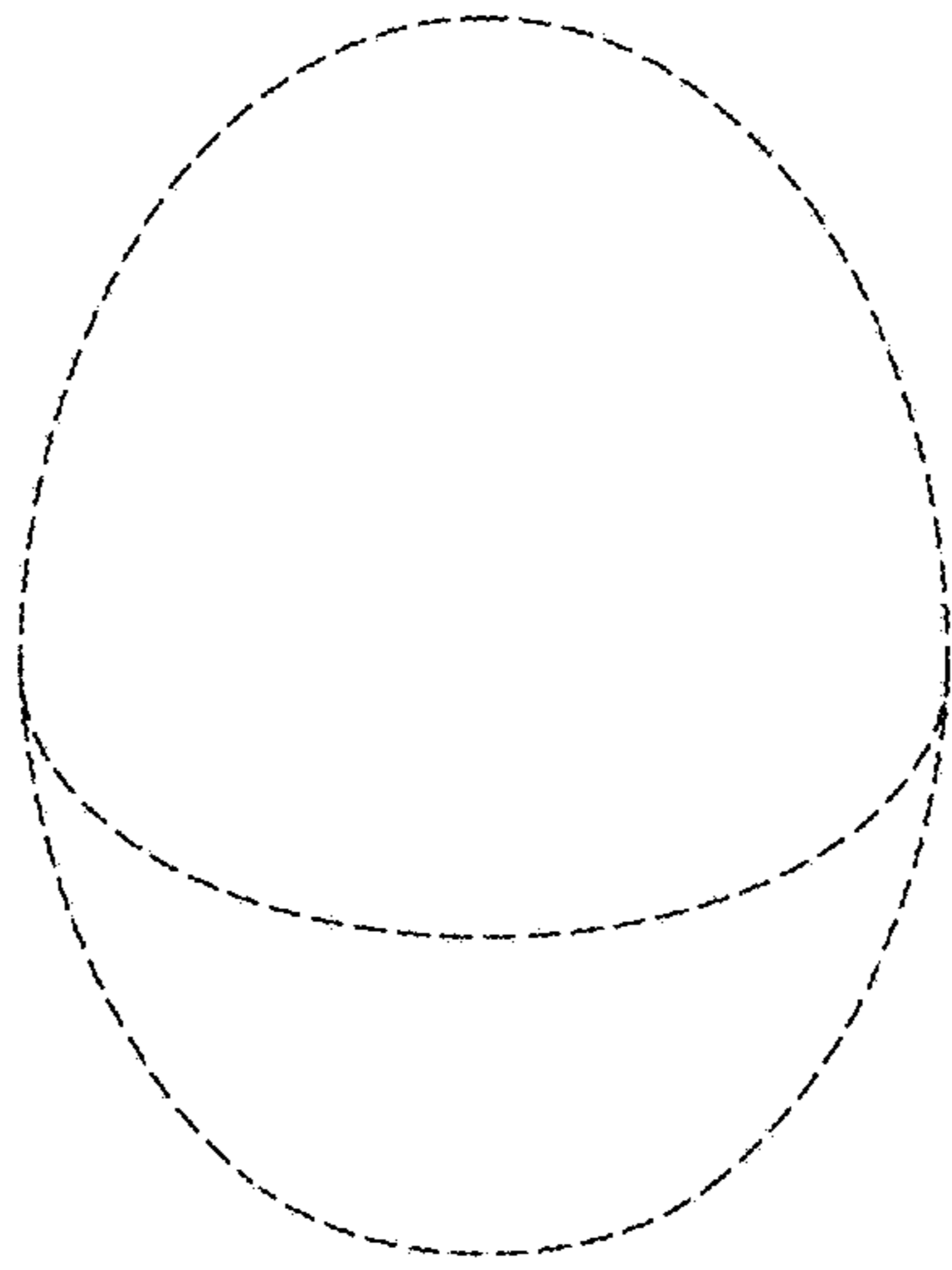


FIG. 10