



US00D847585S

(12) **United States Design Patent** (10) **Patent No.:** **US D847,585 S**
Goodman et al. (45) **Date of Patent:** **** May 7, 2019**

(54) **HOLDER**
(71) Applicant: **Spectrum Diversified Designs, LLC**,
Streetsboro, OH (US)
(72) Inventors: **Aaron Goodman**, Beachwood, OH
(US); **Courtney Wilson**, Chardon, OH
(US)
(73) Assignee: **SPECTRUM DIVERSIFIED
DESIGNS, LLC**, Streetsboro, OH (US)

D322,002 S * 12/1991 Emery D6/566
D436,463 S * 1/2001 Goodman D6/678.4
D450,543 S * 11/2001 Hannum D7/631
D515,881 S * 2/2006 Berger D7/631
D563,734 S * 3/2008 Snell D7/631

(**) Term: **15 Years**

(21) Appl. No.: **29/633,590**

(22) Filed: **Jan. 15, 2018**

(51) **LOC (11) Cl.** **07-07**

(52) **U.S. Cl.**
USPC **D7/631**

(58) **Field of Classification Search**
USPC D7/631-634, 637-641; D19/75, 81-86;
D32/55, 58; 211/13.1, 70.6, 70.7, 73, 74,
211/60.1, 70.1, 71.01, 85.31, 85.4, 133.5,
211/181.1; 248/37.3, 37.6, 176.1, 175
CPC A45D 44/04; A45D 44/06; A47F 7/00;
A47F 13/00; A47G 19/08; A47G
25/1464; A47J 47/16; A47L 15/50; A47L
15/503; A47L 15/505
See application file for complete search history.

(56) **References Cited**

U.S. PATENT DOCUMENTS

D231,137 S * 4/1974 Jublin D19/90
D316,114 S * 4/1991 Hwang D19/75

OTHER PUBLICATIONS

U.S. Appl. No. 29/590,678, filed Jan. 12, 2017, 2 pages and 4 pages
of drawings.

* cited by examiner

Primary Examiner — Derrick E Holland

Assistant Examiner — Janice Patyk

(74) *Attorney, Agent, or Firm* — Tucker Ellis LLP

(57) **CLAIM**

The ornamental design for a holder, as shown and described.

DESCRIPTION

FIG. 1 is a perspective view of a holder showing our new
design.

FIG. 2 is a rear view thereof

FIG. 3 is a front view thereof.

FIG. 4 is a top view thereof.

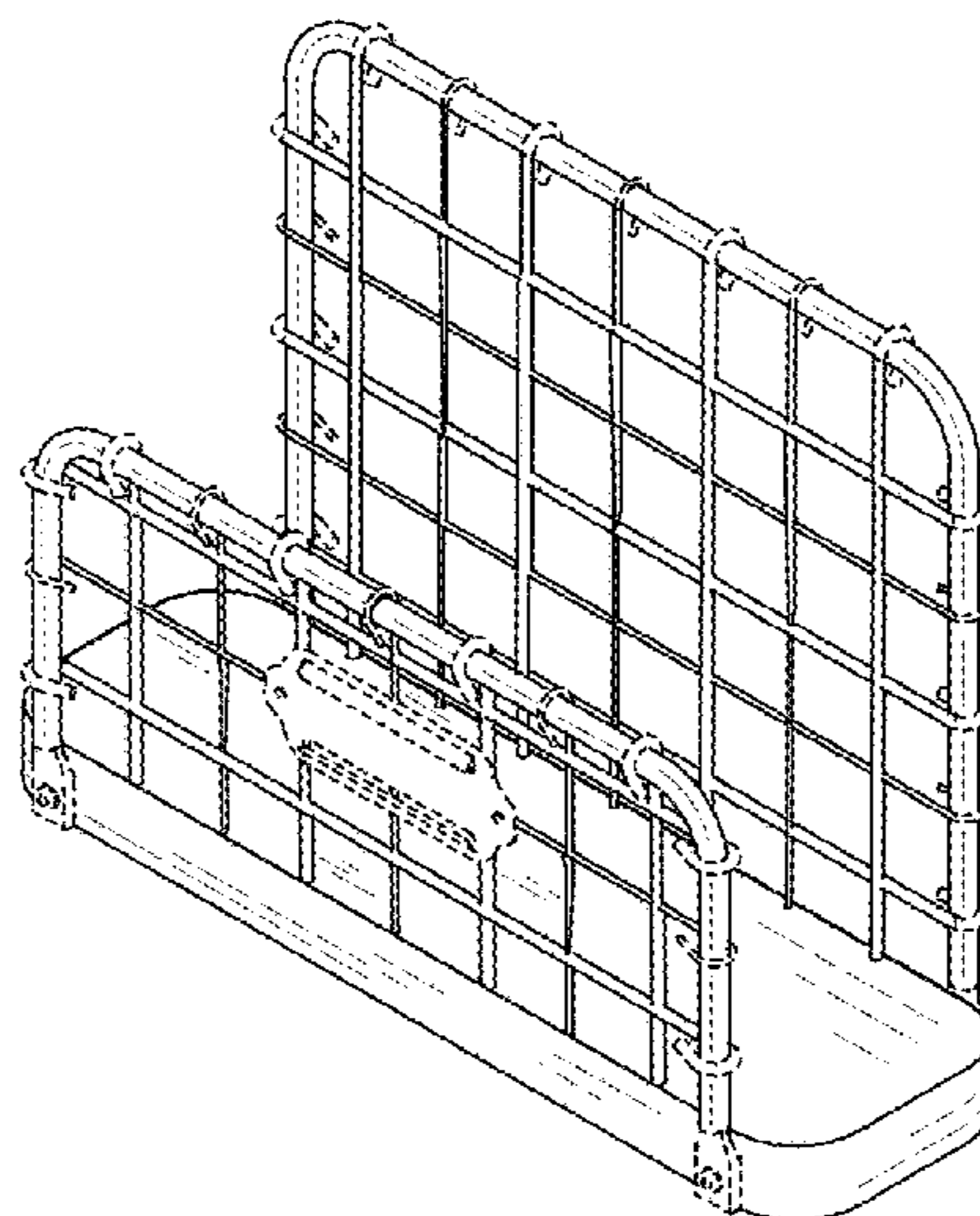
FIG. 5 is a bottom view thereof.

FIG. 6 is a right side view thereof; and,

FIG. 7 is a left side view thereof.

The broken lines show portions of the design that form no
part of the claimed design.

1 Claim, 4 Drawing Sheets



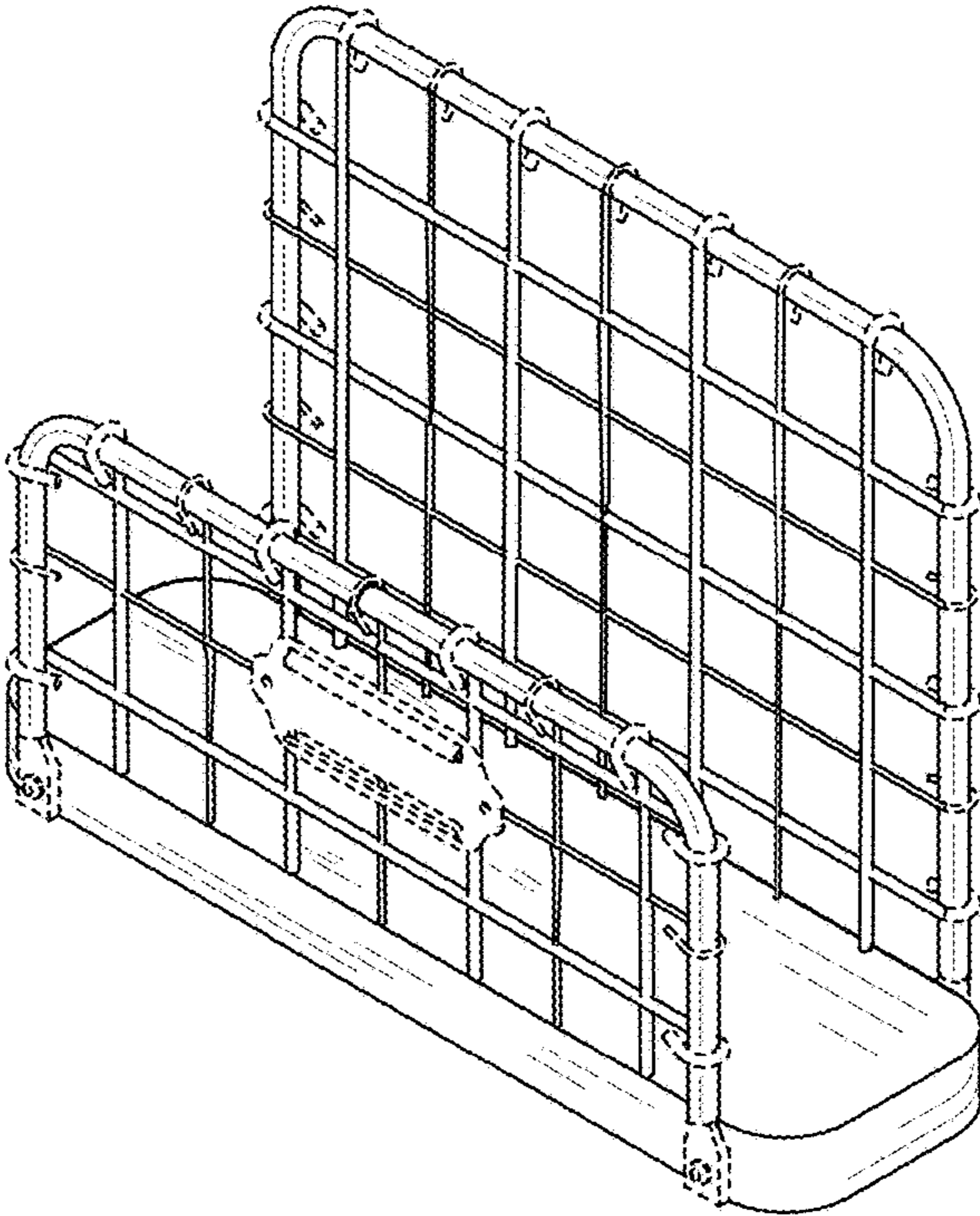


FIG. 1

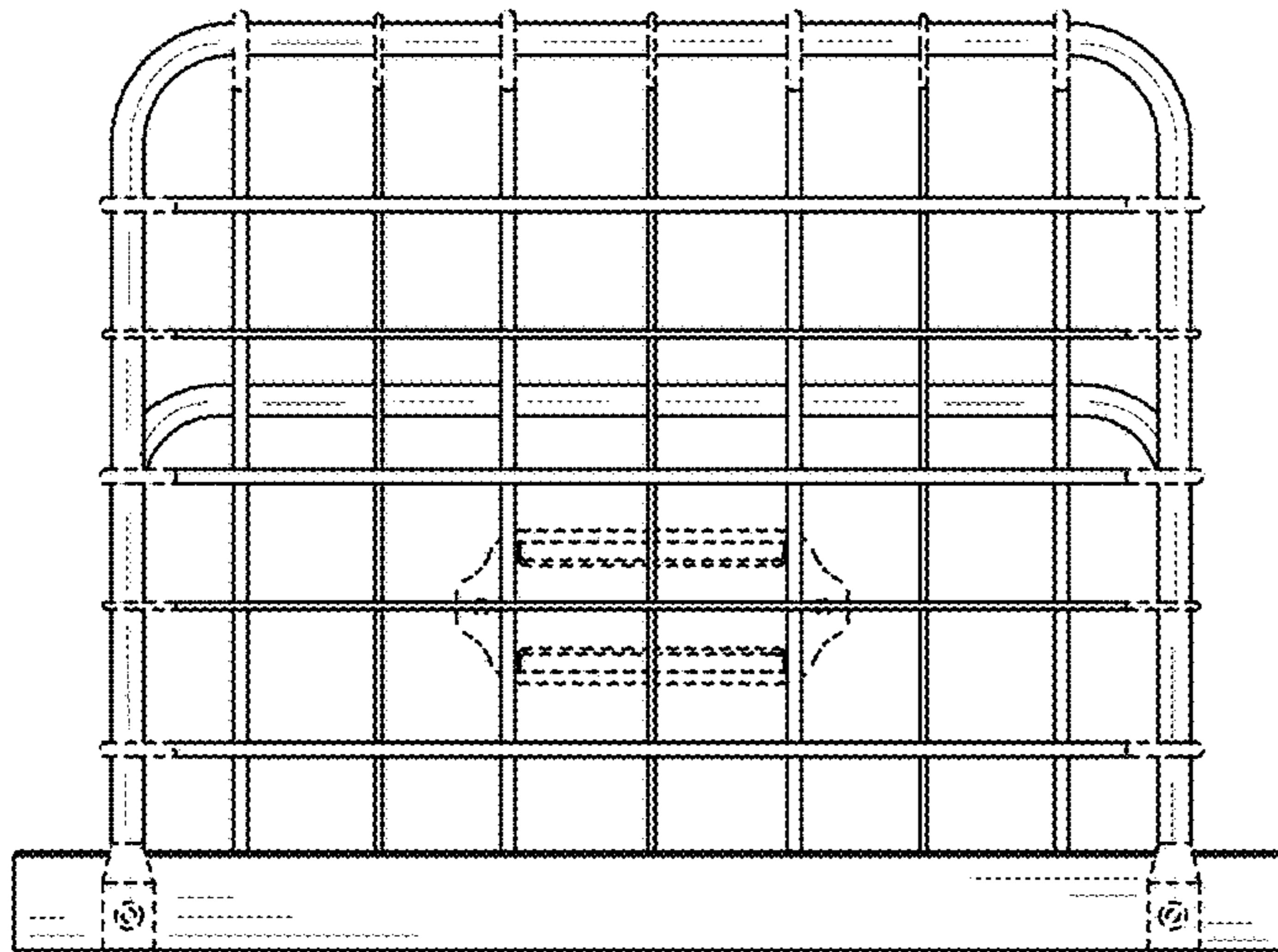


FIG. 2

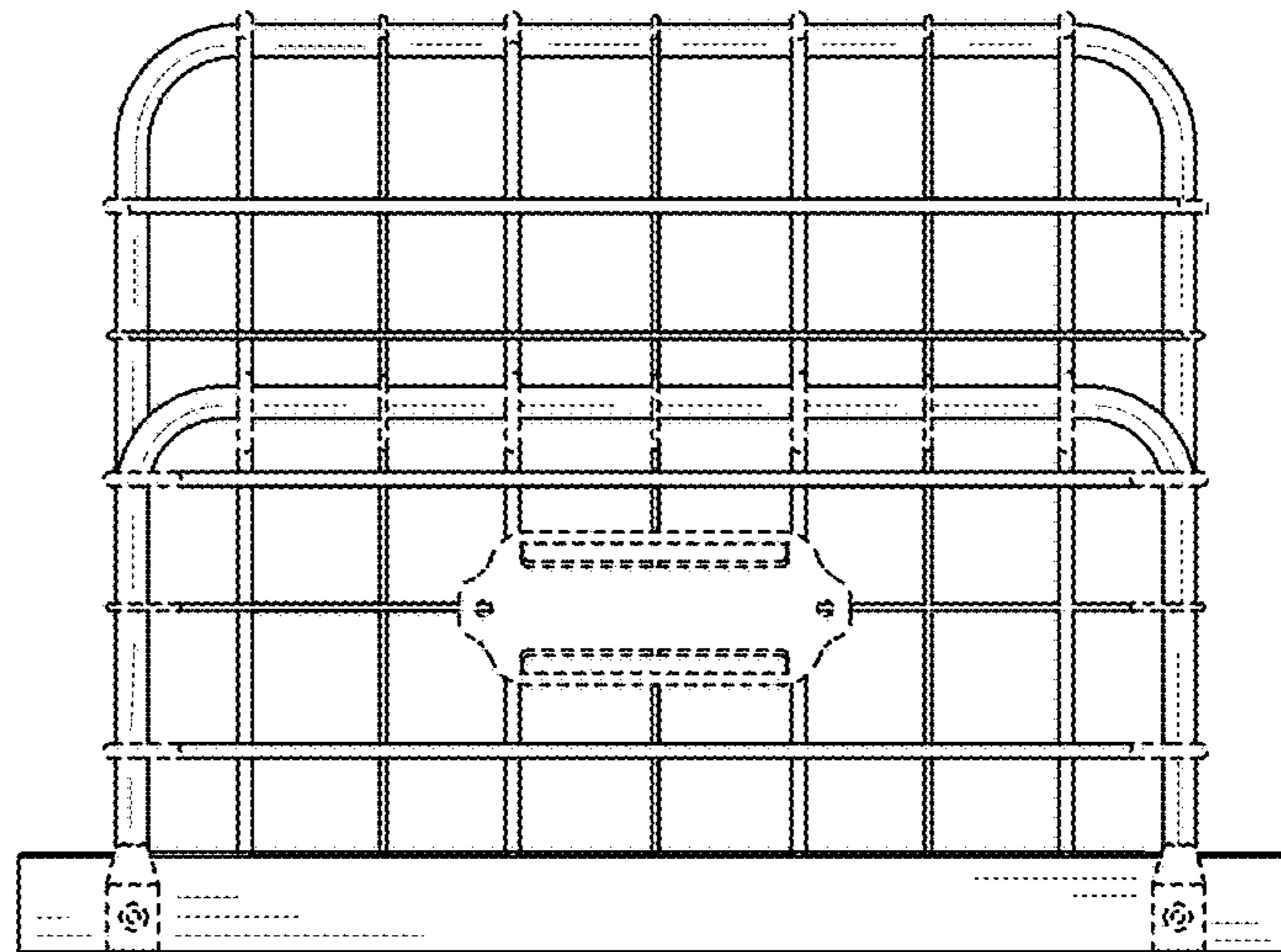


FIG. 3

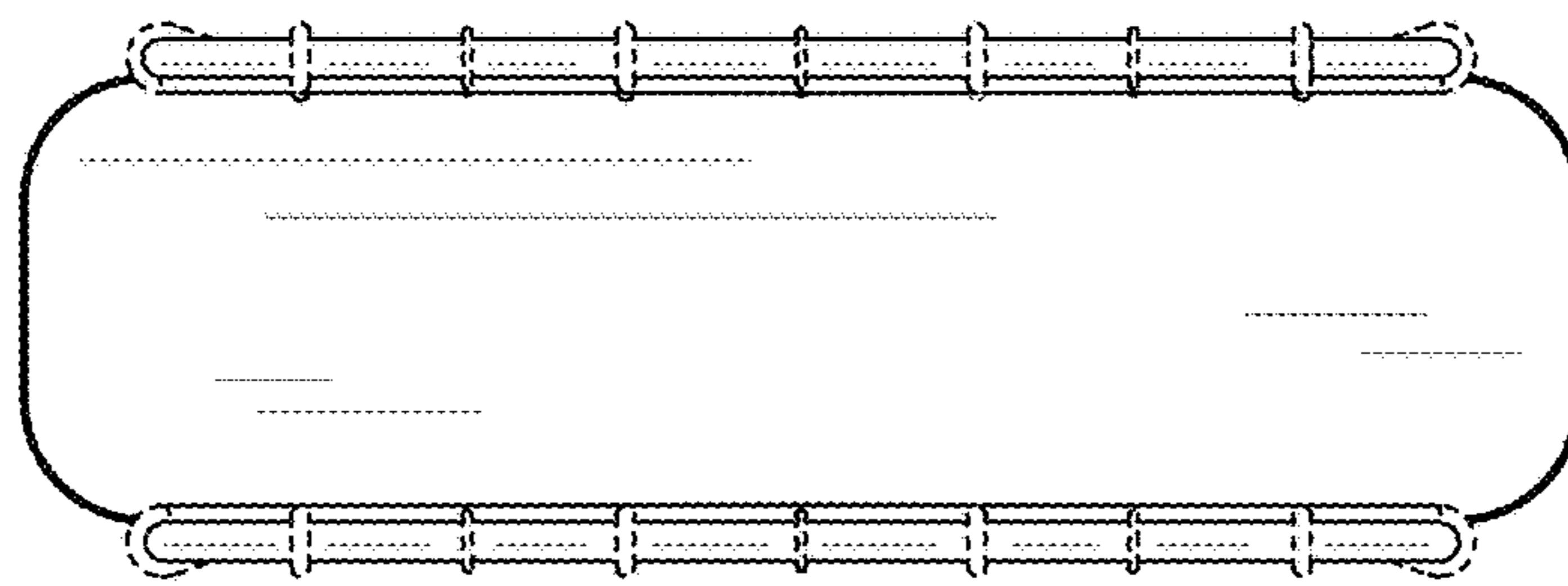


FIG. 4

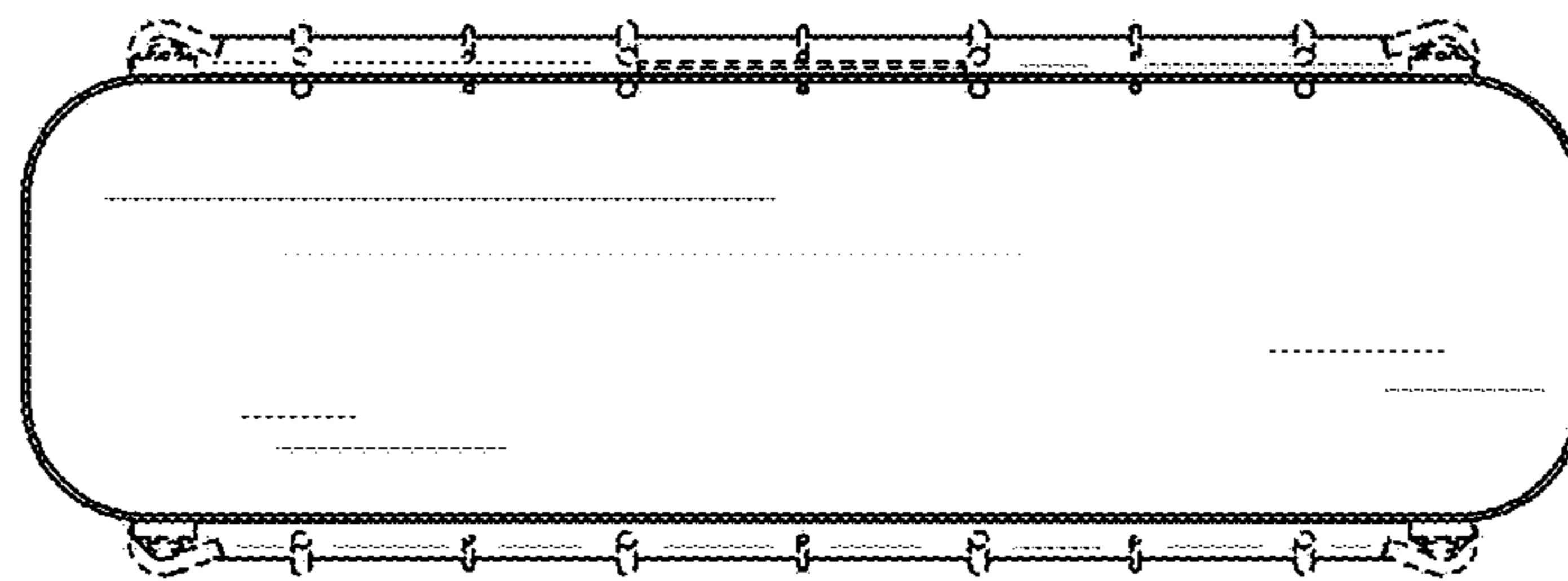


FIG. 5

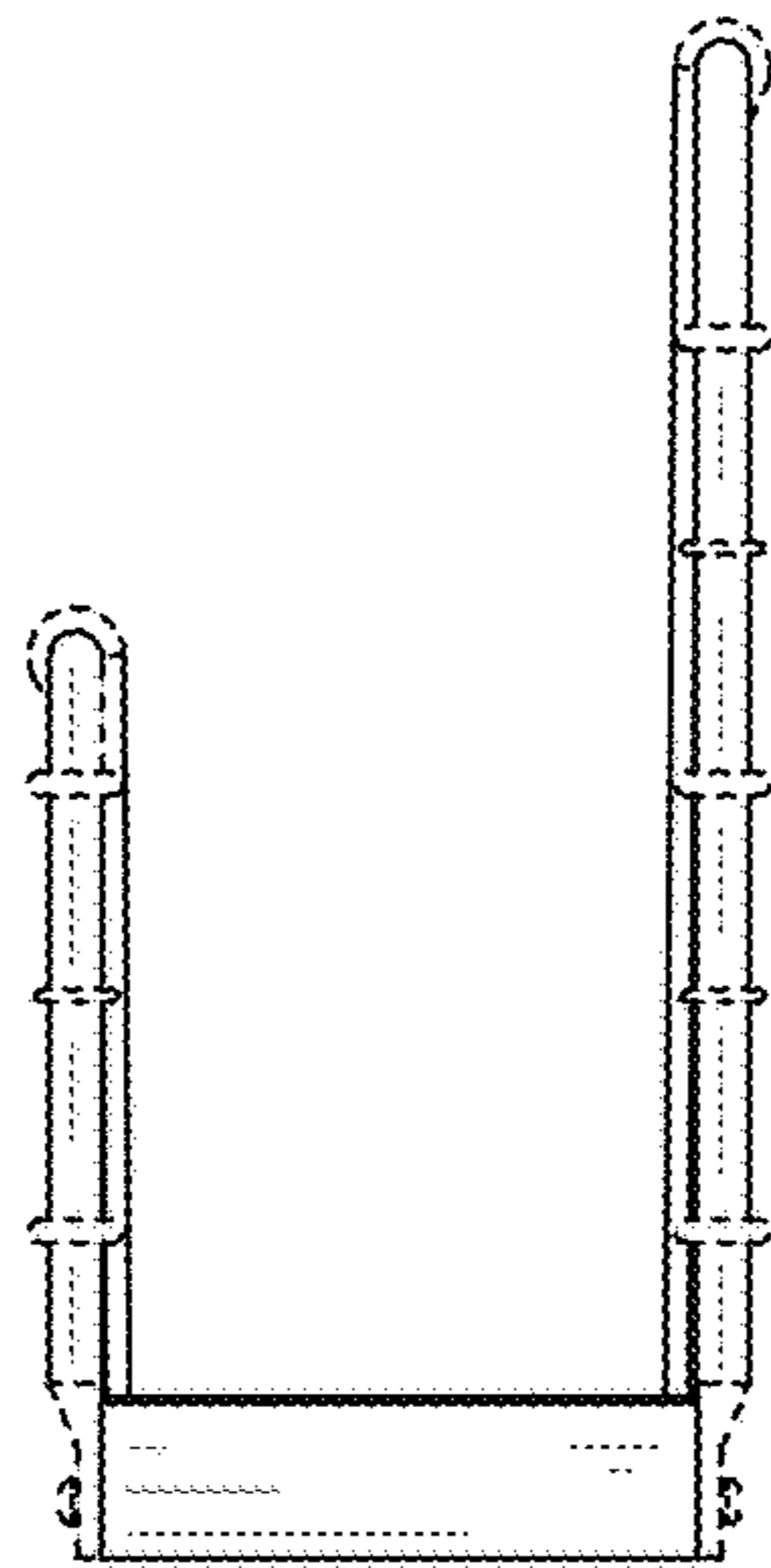


FIG. 6

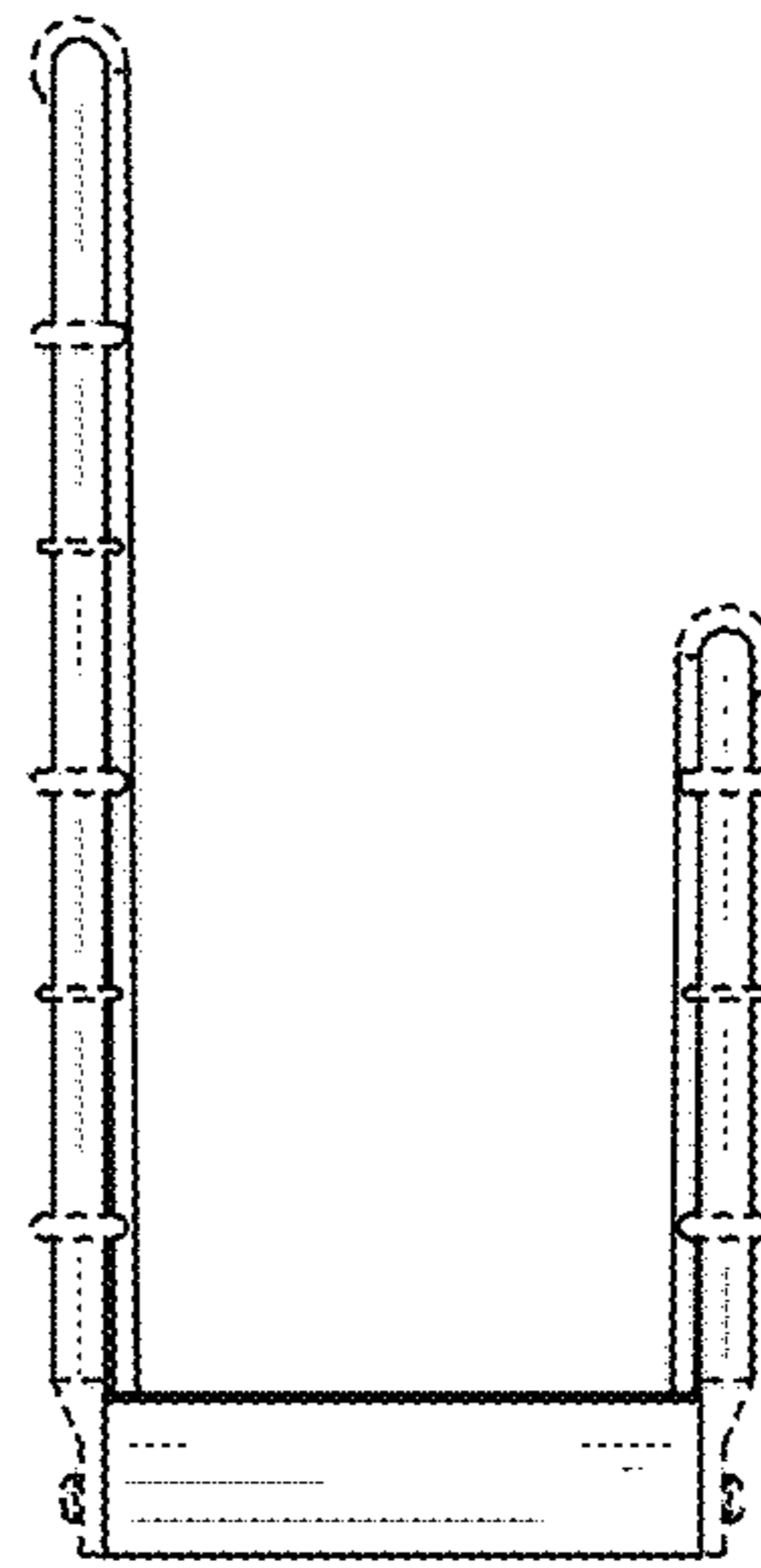


FIG. 7