



US00D847584S

(12) **United States Design Patent** (10) **Patent No.:** **US D847,584 S**
Goodworth (45) **Date of Patent:** **** May 7, 2019**

(54) **COMBINED CUP, PHONE, AND EYEGLASSES HOLDER WITH KEY HOOK**

(71) Applicant: **Adams Mfg. Corp.**, Portersville, PA (US)

(72) Inventor: **Matthew Goodworth**, Pittsburgh, PA (US)

(73) Assignee: **Adams Mfg. Corp.**, Portersville, PA (US)

(**) Term: **15 Years**

(21) Appl. No.: **29/632,185**

(22) Filed: **Jan. 5, 2018**

(51) **LOC (11) Cl.** **07-06**

(52) **U.S. Cl.**
USPC **D7/622**

(58) **Field of Classification Search**
USPC D7/619.1-625; D12/411, 416, 419, 420
CPC A47C 7/68; A47C 5/12; A47G 23/0225;
F16M 13/022; B60R 11/00; B60N 3/10;
B60N 3/103; A45C 11/20
See application file for complete search history.

(56) **References Cited**

U.S. PATENT DOCUMENTS

3,233,940	A	2/1966	Tooley, Jr.	
D425,012	S	5/2000	Bergin	
6,361,105	B1 *	3/2002	Turner A47C 7/62 297/16.2
6,478,371	B1	11/2002	Clarke	
6,641,101	B2	11/2003	Bergin	

D516,393	S	3/2006	Wickenhauser	
7,249,799	B2	7/2007	Luce	
7,530,632	B2	5/2009	Kaloustian et al.	
9,089,234	B2	7/2015	Webb	
D787,848	S	5/2017	Adams, IV et al.	
D804,394	S	12/2017	Bergin	
D805,855	S	12/2017	Adams, IV et al.	
2004/0188581	A1	9/2004	Smith	
2016/0121768	A1 *	5/2016	Terranova B60N 3/103 297/188.14

* cited by examiner

Primary Examiner — Terry A Wallace

(74) *Attorney, Agent, or Firm* — Buchanan Ingersoll & Rooney PC

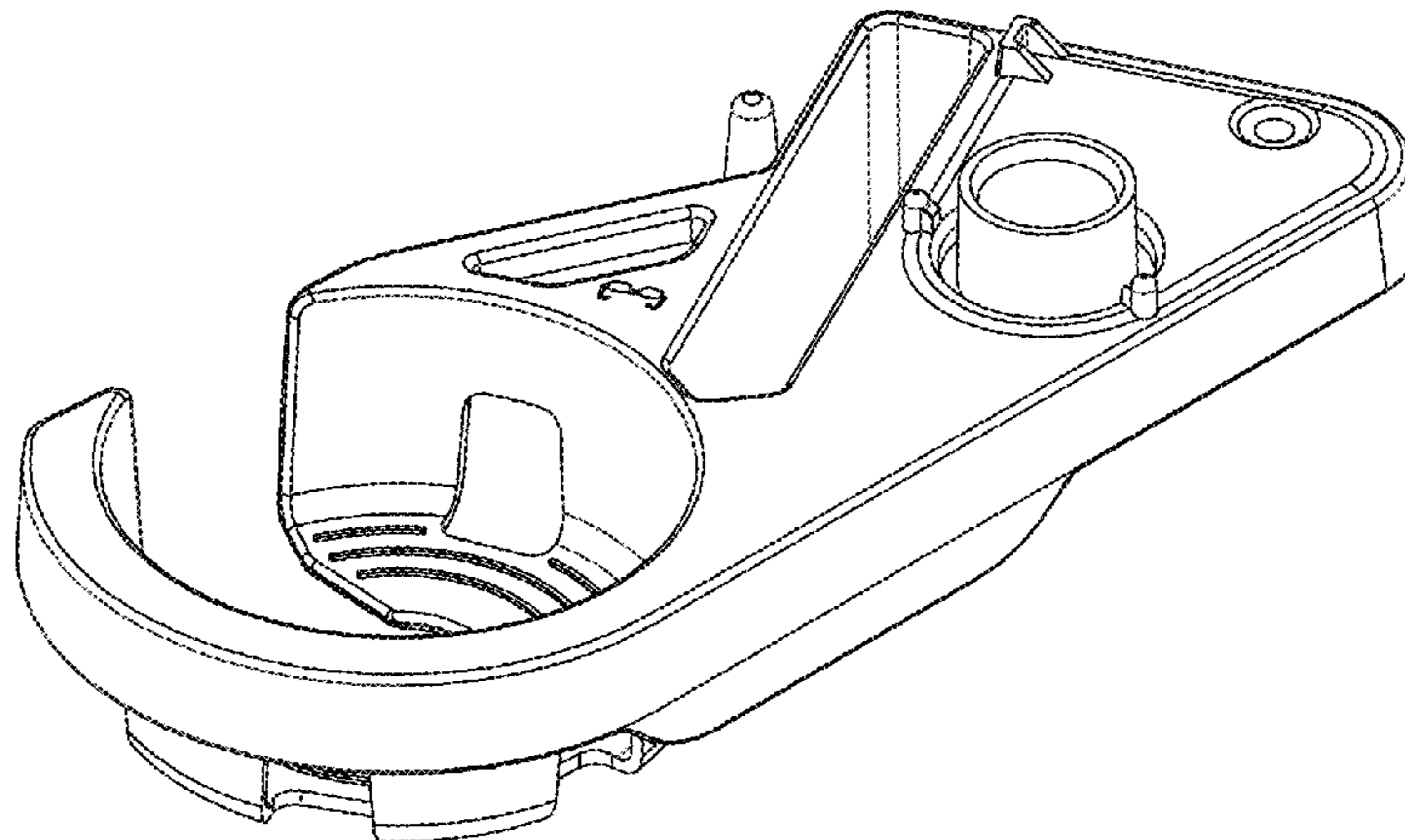
(57) **CLAIM**

The ornamental design for a combined cup, phone, and eyeglasses holder with key hook, as shown and described.

DESCRIPTION

FIG. 1 is a front perspective view of my combined cup, phone, and eyeglasses holder with key hook;
FIG. 2 is a rear perspective view thereof;
FIG. 3 is a top view thereof;
FIG. 4 is a front view thereof;
FIG. 5 is a right side view thereof;
FIG. 6 is a left side view thereof;
FIG. 7 is a rear view thereof;
FIG. 8 is a bottom view thereof; and,
FIG. 9 is a perspective view showing the combined cup, phone and eyeglasses holder attached to the arm of a chair. The arm of the chair in dash-dot lines in FIG. 9 is shown for environmental purposes and forms no part of the claimed design.

1 Claim, 5 Drawing Sheets



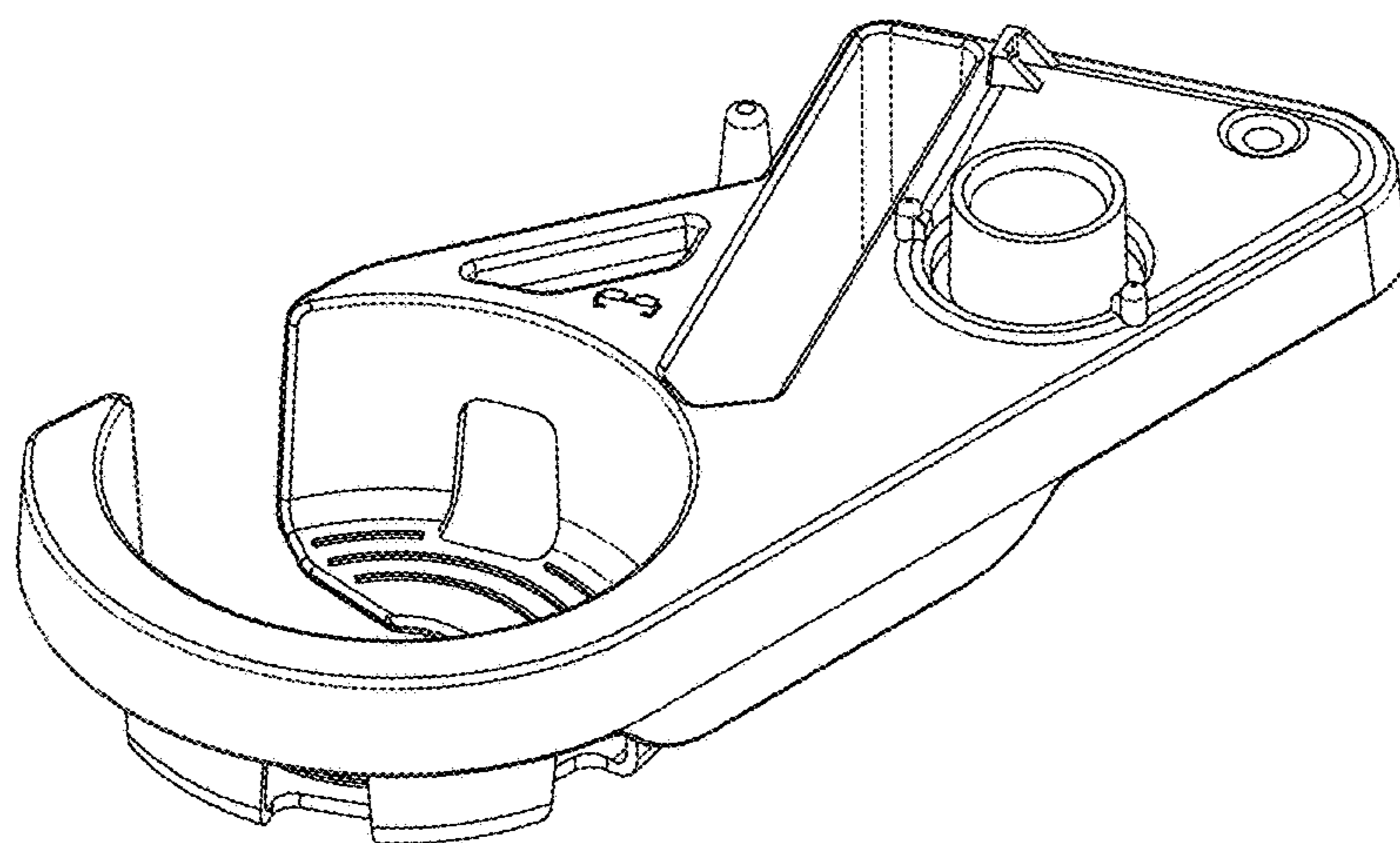


FIG. 1

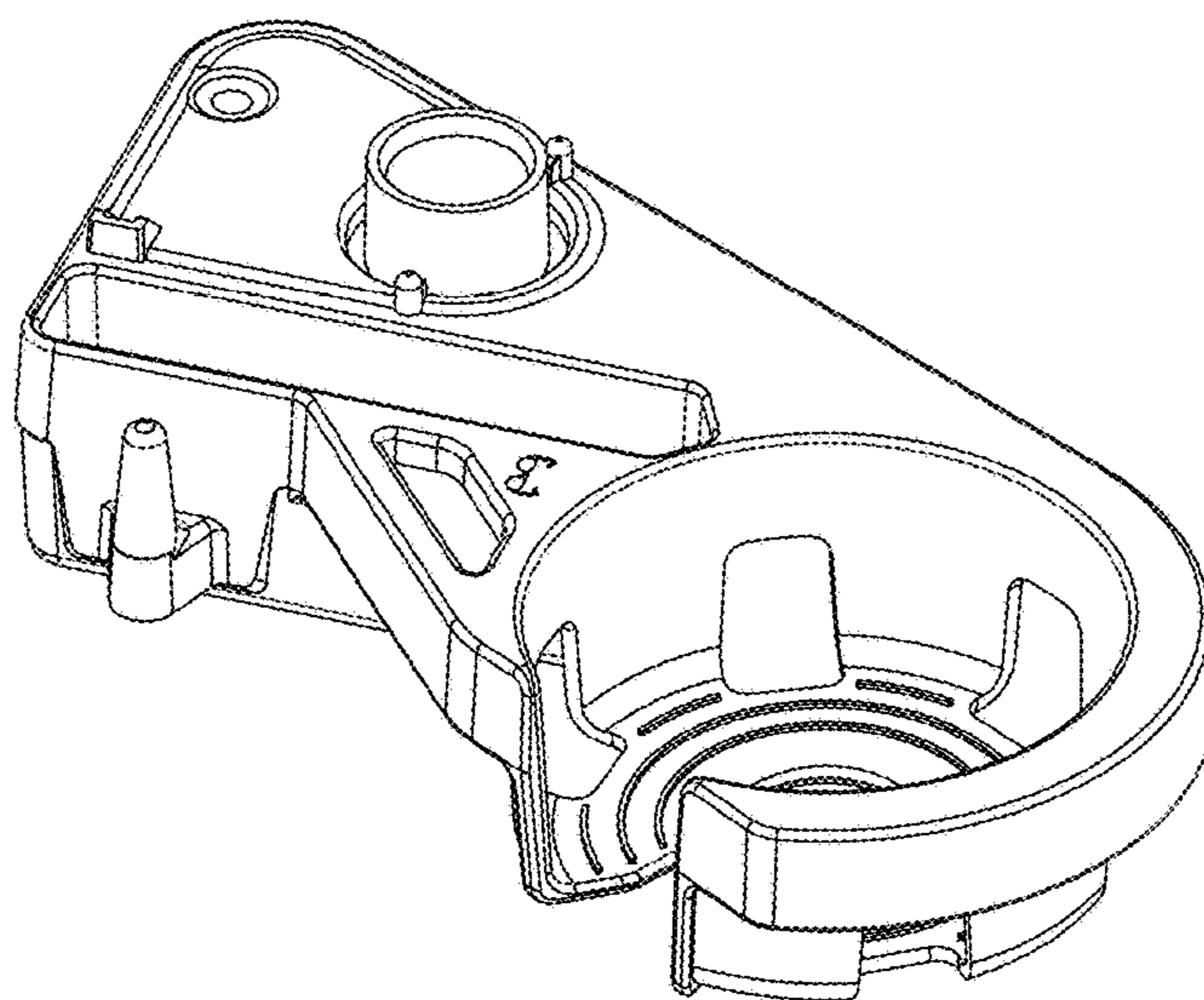


FIG. 2

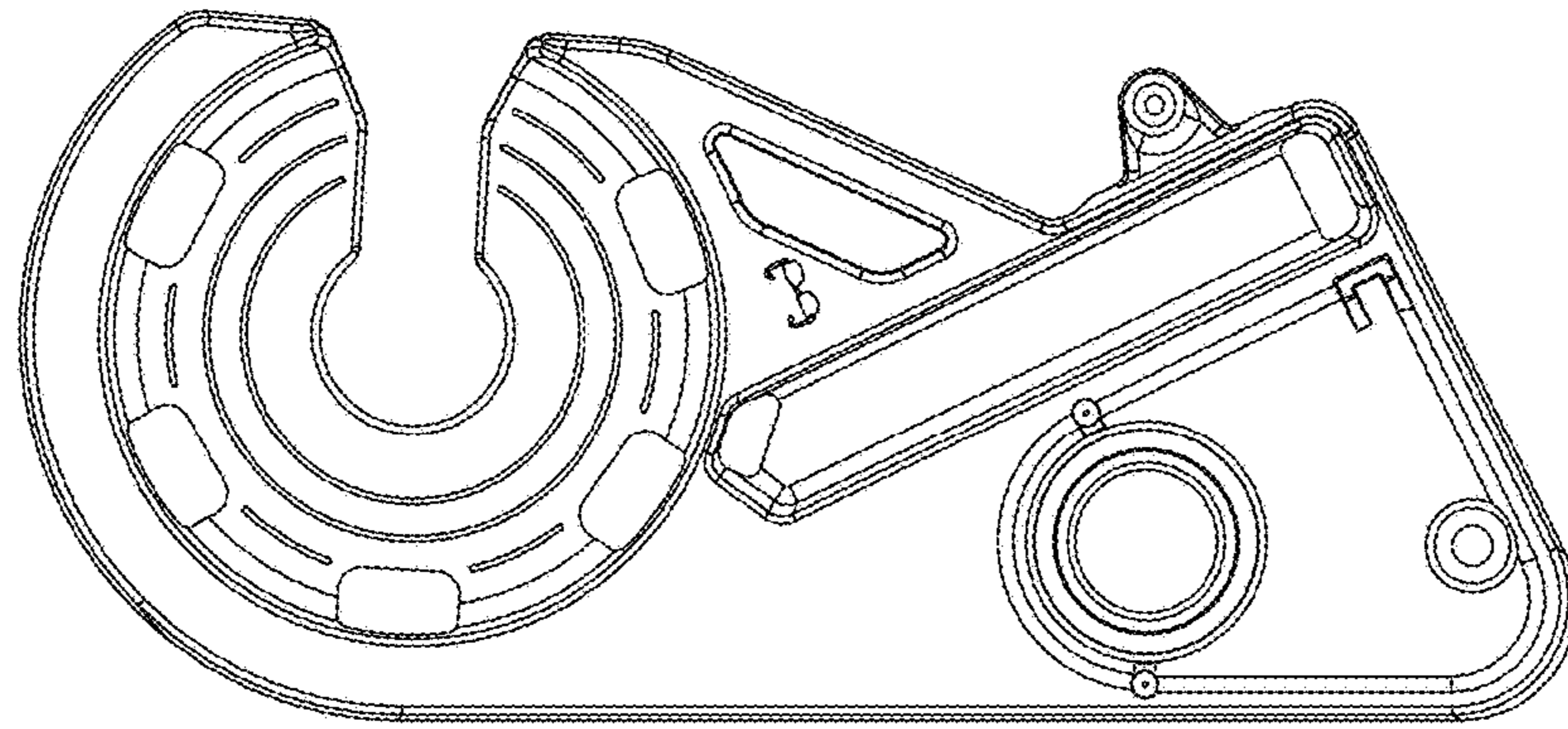


FIG. 3

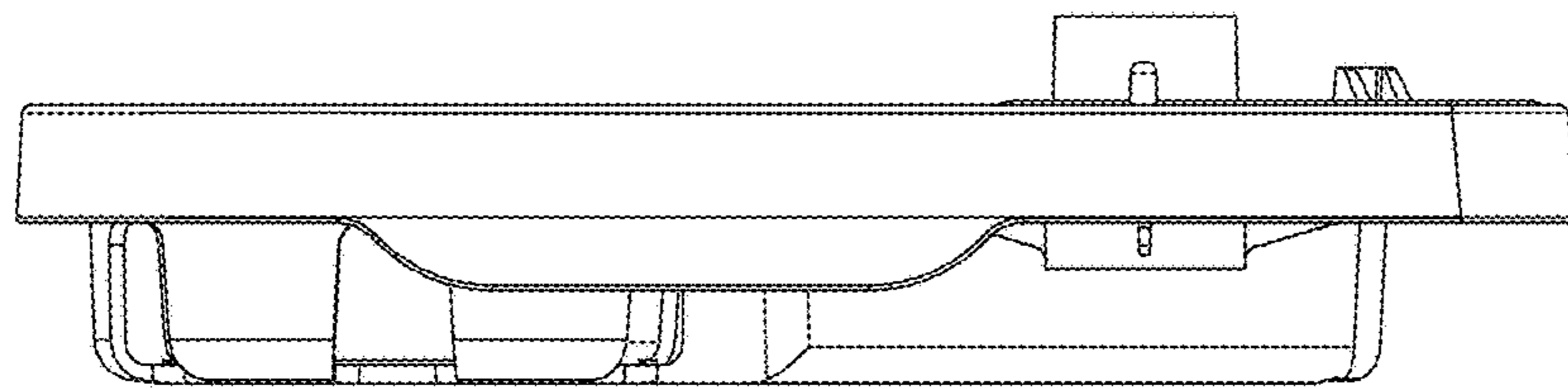


FIG. 4

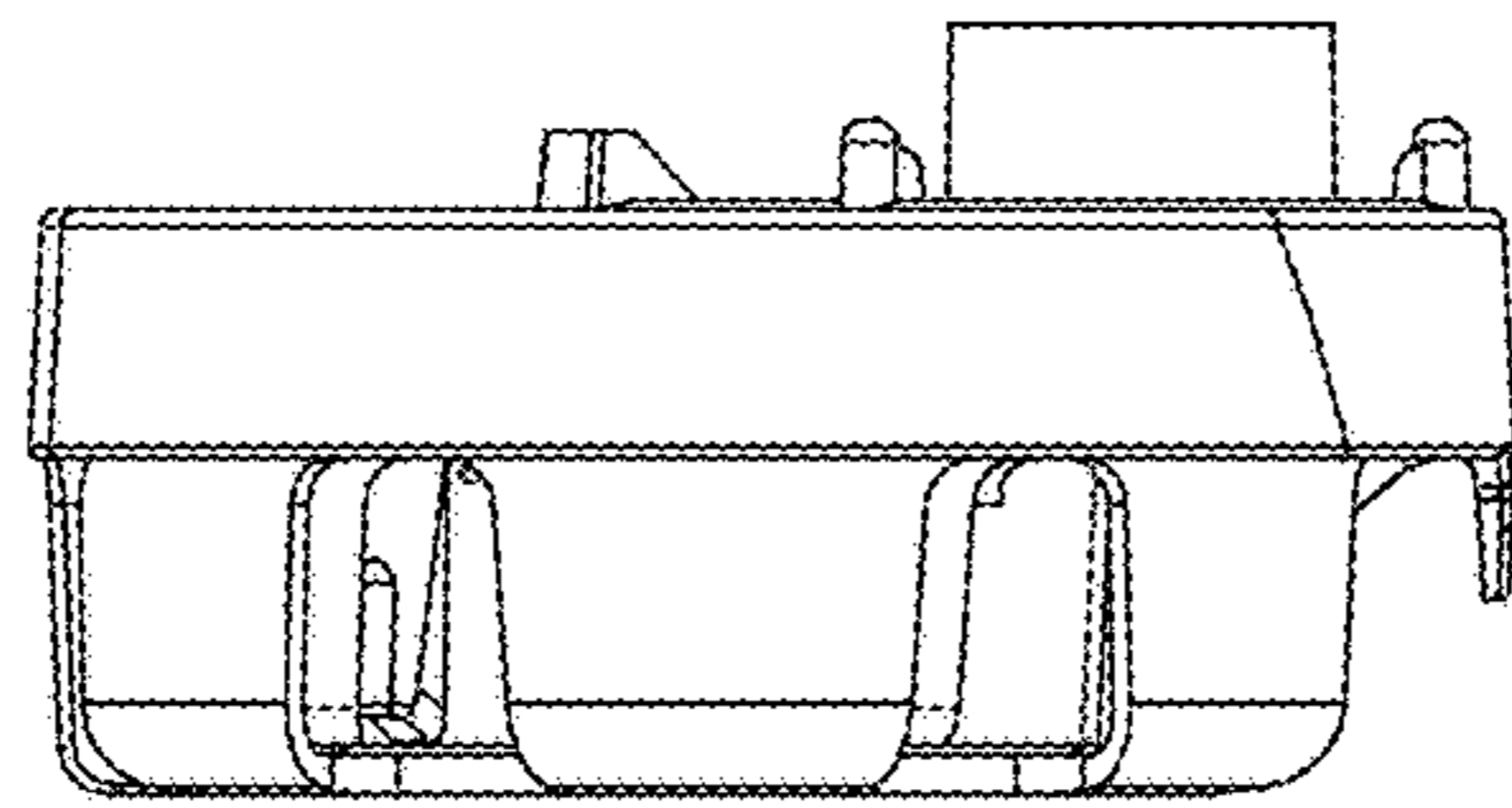


FIG. 5

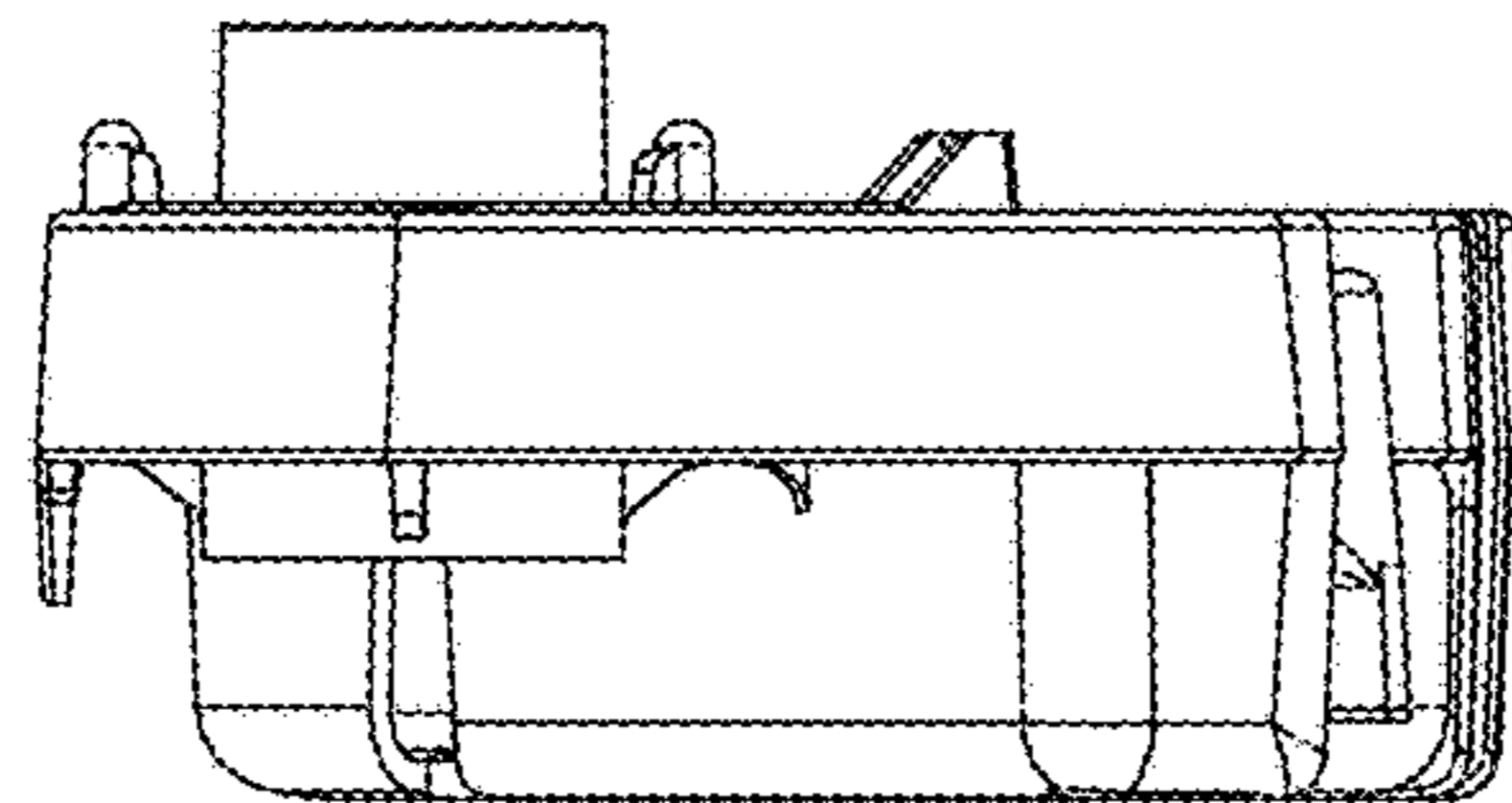


FIG. 6

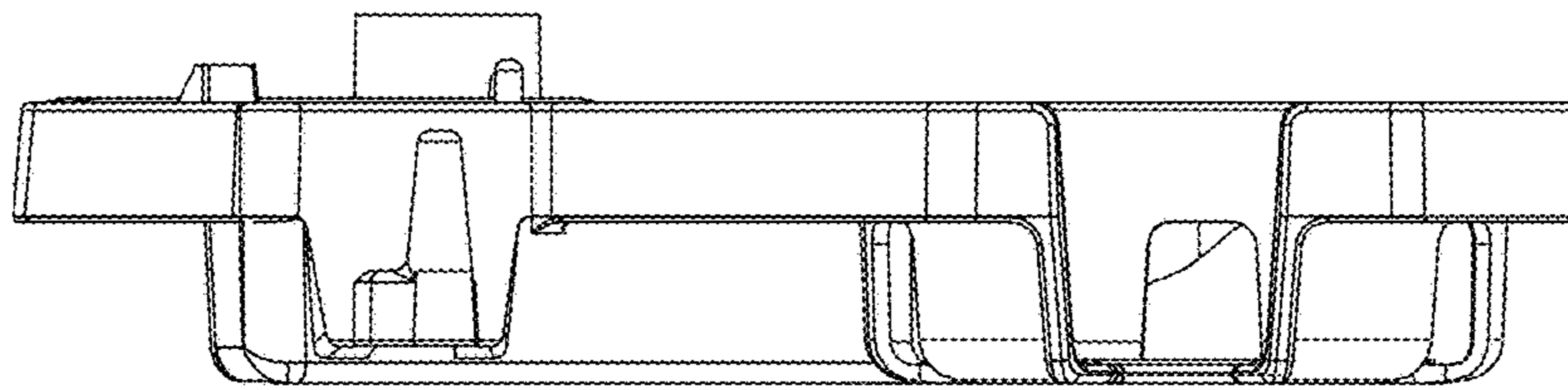


FIG. 7

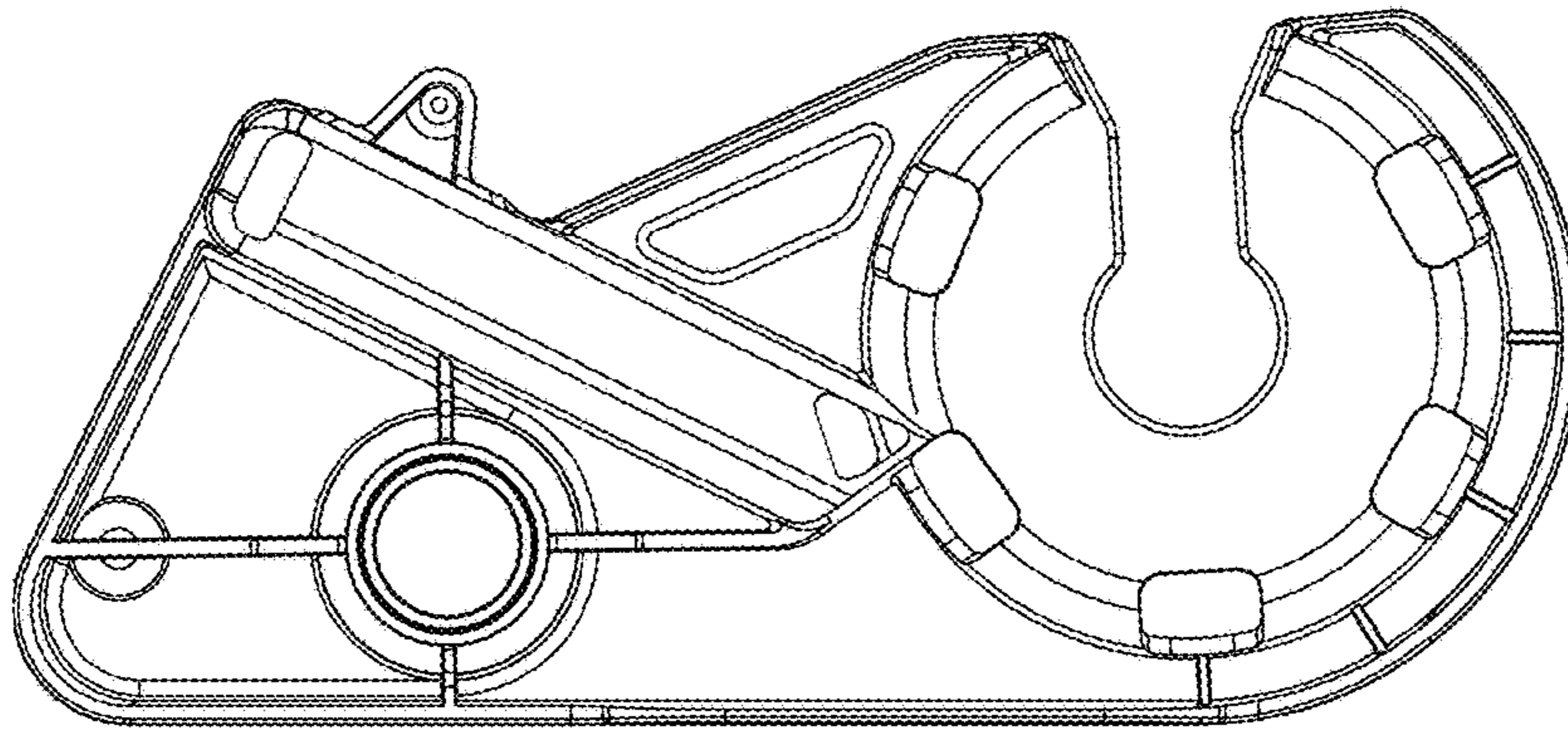


FIG. 8

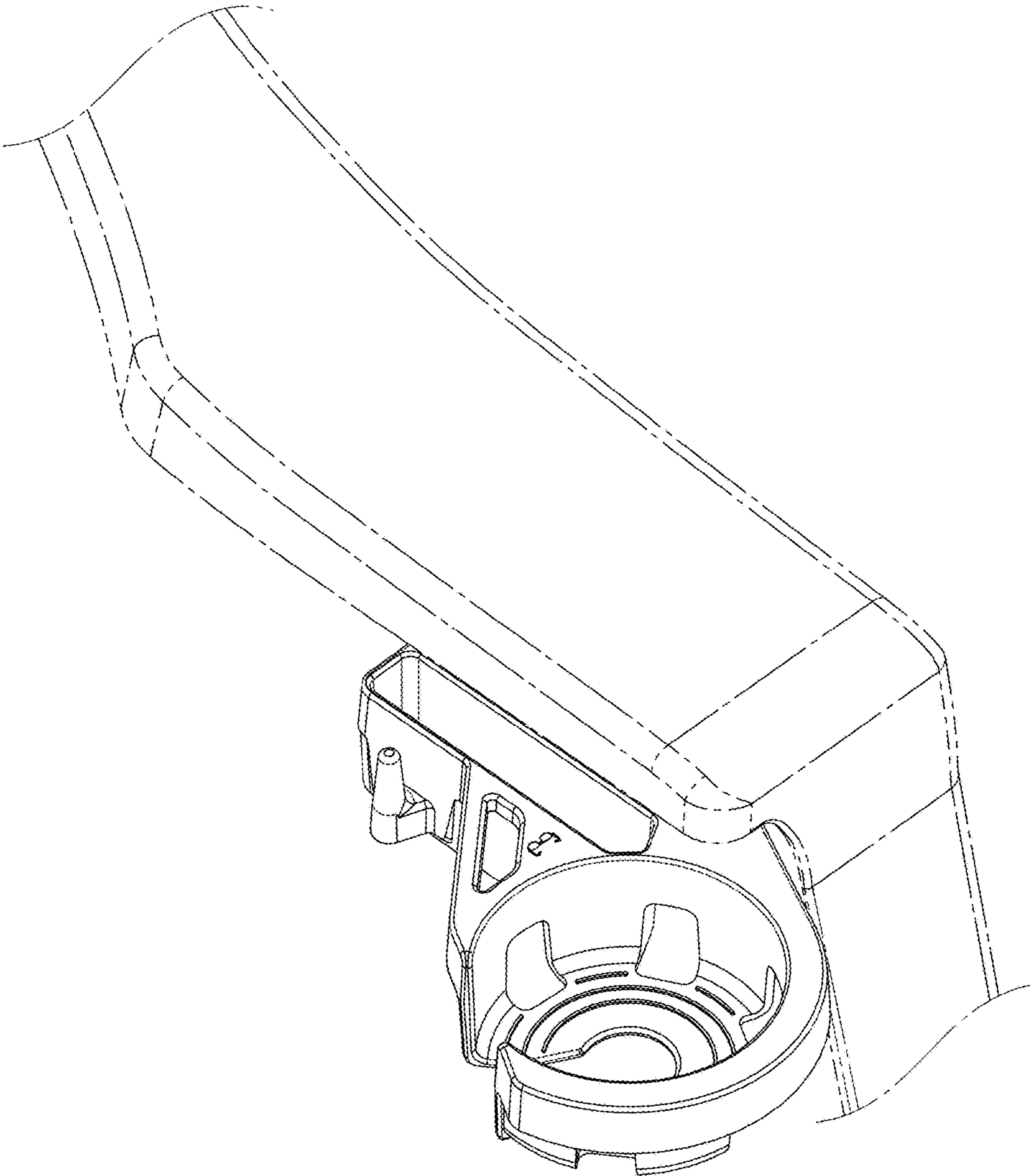


FIG. 9