



US00D847583S

(12) **United States Design Patent**
Wampold

(10) **Patent No.:** **US D847,583 S**

(45) **Date of Patent:** **** May 7, 2019**

- (54) **FLAMINGO COOLER**
- (71) Applicant: **BigMouth, Inc.**, Glastonbury, CT (US)
- (72) Inventor: **Stephen G. Wampold**, Glastonbury, CT (US)
- (73) Assignee: **BIGMOUTH, LLC**, Glastonbury, CT (US)

- D703,008 S 4/2014 Wampold
- D703,009 S 4/2014 Wampold
- D719,409 S 12/2014 Wampold
- D720,078 S 12/2014 Wampold
- D721,182 S 1/2015 Wampold
- D725,209 S 3/2015 Wampold
- D726,273 S 4/2015 Wampold
- D727,689 S 4/2015 Wampold
- D728,113 S 4/2015 Wampold
- D737,101 S 8/2015 Wampold

(Continued)

(**) Term: **15 Years**

(21) Appl. No.: **29/596,770**

(22) Filed: **Mar. 10, 2017**

(51) **LOC (11) Cl.** **07-01**

(52) **U.S. Cl.**
USPC **D7/606; D21/808**

(58) **Field of Classification Search**
USPC D7/605, 606, 607, 608, 509, 510, 511,
D7/523, 533, 536; D9/502, 504;
D21/808

CPC A45J 41/00; A45J 41/0005; A45J 41/0011;
A45J 41/0016; A45J 41/0027; A45J
41/0061; A45J 41/0066; A45J 41/0072;
B65D 81/3837; B65D 81/3876

See application file for complete search history.

(56) **References Cited**

U.S. PATENT DOCUMENTS

- D290,674 S * 7/1987 Valov D27/134
- D307,854 S * 5/1990 Doucette D7/605
- D333,592 S * 3/1993 Walker D7/605
- D440,120 S * 4/2001 Peterson D7/605
- D440,121 S * 4/2001 Peterson D7/605
- D440,122 S * 4/2001 Peterson D7/605
- D443,182 S * 6/2001 Peterson D7/605
- D495,207 S * 8/2004 Since D7/507
- D504,285 S * 4/2005 Lowe D7/604
- 7,195,132 B1 * 3/2007 Balam A47G 23/02
220/560
- D697,765 S 1/2014 Wampold

OTHER PUBLICATIONS

Amazon, "BigMouth Inc Pink Flamingo Inflatable Cooler", First customer comment Apr. 31, 2017. (<https://www.amazon.com/BigMouth-Inc-Flamingo-Inflatable-Cooler/dp/B06XD1GCQB>).*

(Continued)

Primary Examiner — Jennifer Rivard

Assistant Examiner — April Rivas

(74) *Attorney, Agent, or Firm* — K&L Gates LLP

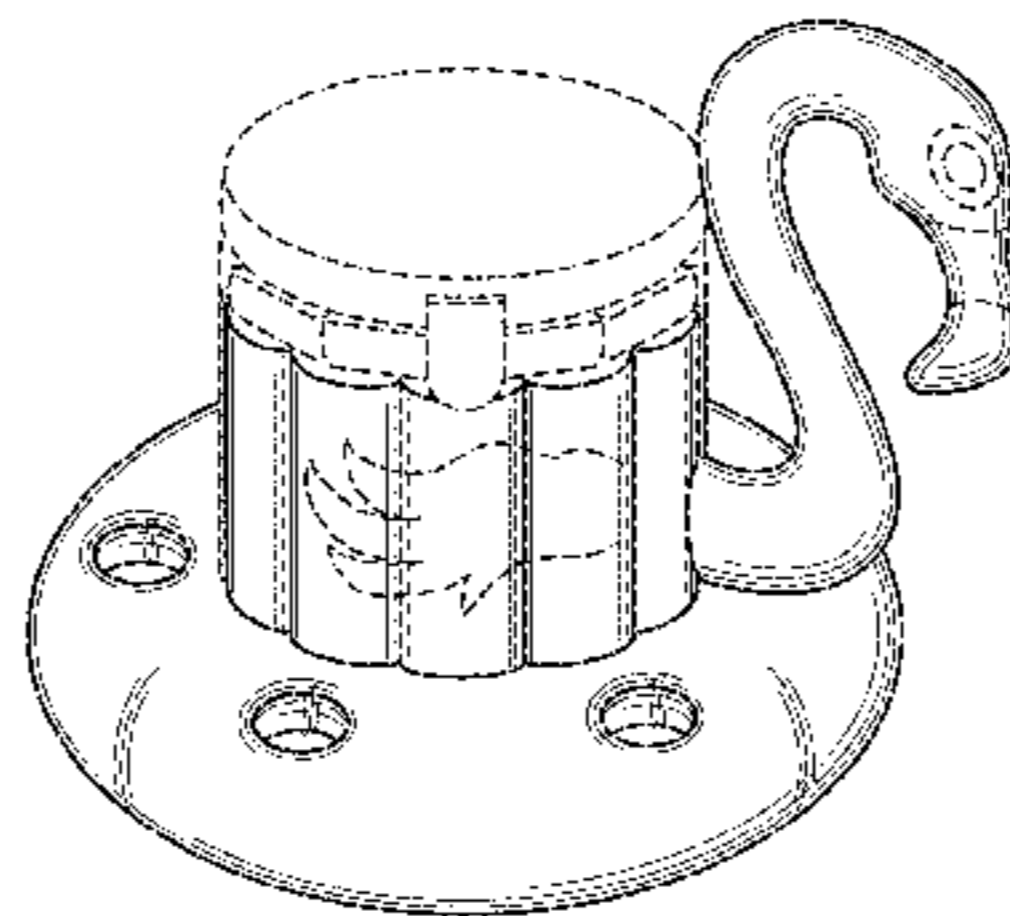
(57) **CLAIM**

The ornamental design for a flamingo cooler, as shown and described.

DESCRIPTION

FIG. 1 is a side top perspective view of my design;
 FIG. 2 is a front view thereof;
 FIG. 3 is a rear view thereof;
 FIG. 4 is a right side elevational view thereof;
 FIG. 5 is a left side elevational view thereof;
 FIG. 6 is a top view thereof;
 FIG. 7 is a bottom view thereof;
 FIG. 8 is a rear opened view thereof.
 FIG. 9 is a top opened view thereof; and,
 FIG. 10 is a side bottom perspective view thereof.
 The broken lines illustrate portions of the flamingo cooler and form no part of the claimed design.

1 Claim, 6 Drawing Sheets



(56)

References Cited

U.S. PATENT DOCUMENTS

| | | | |
|--------------|---------|-----------|---------------|
| D738,687 S | 9/2015 | Wampold | |
| D754,245 S | 4/2016 | Wampold | |
| D759,182 S * | 6/2016 | Wampold | D21/808 |
| D770,860 S | 11/2016 | Wampold | |
| D772,012 S | 11/2016 | Wampold | |
| D775,295 S | 12/2016 | Wampold | |
| D775,894 S | 1/2017 | Wampold | |
| D785,119 S * | 4/2017 | Hempton | D21/808 |
| D799,627 S * | 10/2017 | de Grasse | D21/808 |

OTHER PUBLICATIONS

Amazon, "BigMouth Inc Pink Flamingo Pool float", First reviewed on Jun. 14, 2015. (<https://www.amazon.com/BigMouth-Inc-Flamingo-float-inflates/dp/B00V8749MY>).*

Amazon, "Intex Mega Chill Floating Cooler", First reviewed Sep. 12, 2007. (<https://www.amazon.com/Intex-58820E-Chill-Floating-Cooler/dp/B000BVL5NY>).*

Leo & Bella, "50Fifty Inflatable Floating Ice Bucket Flamingo", accessed Mar. 26, 2018. (<https://leoandbella.com.au/shop/50fifty-inflatable-floating-ice-bucket-flamingo/>).*

* cited by examiner

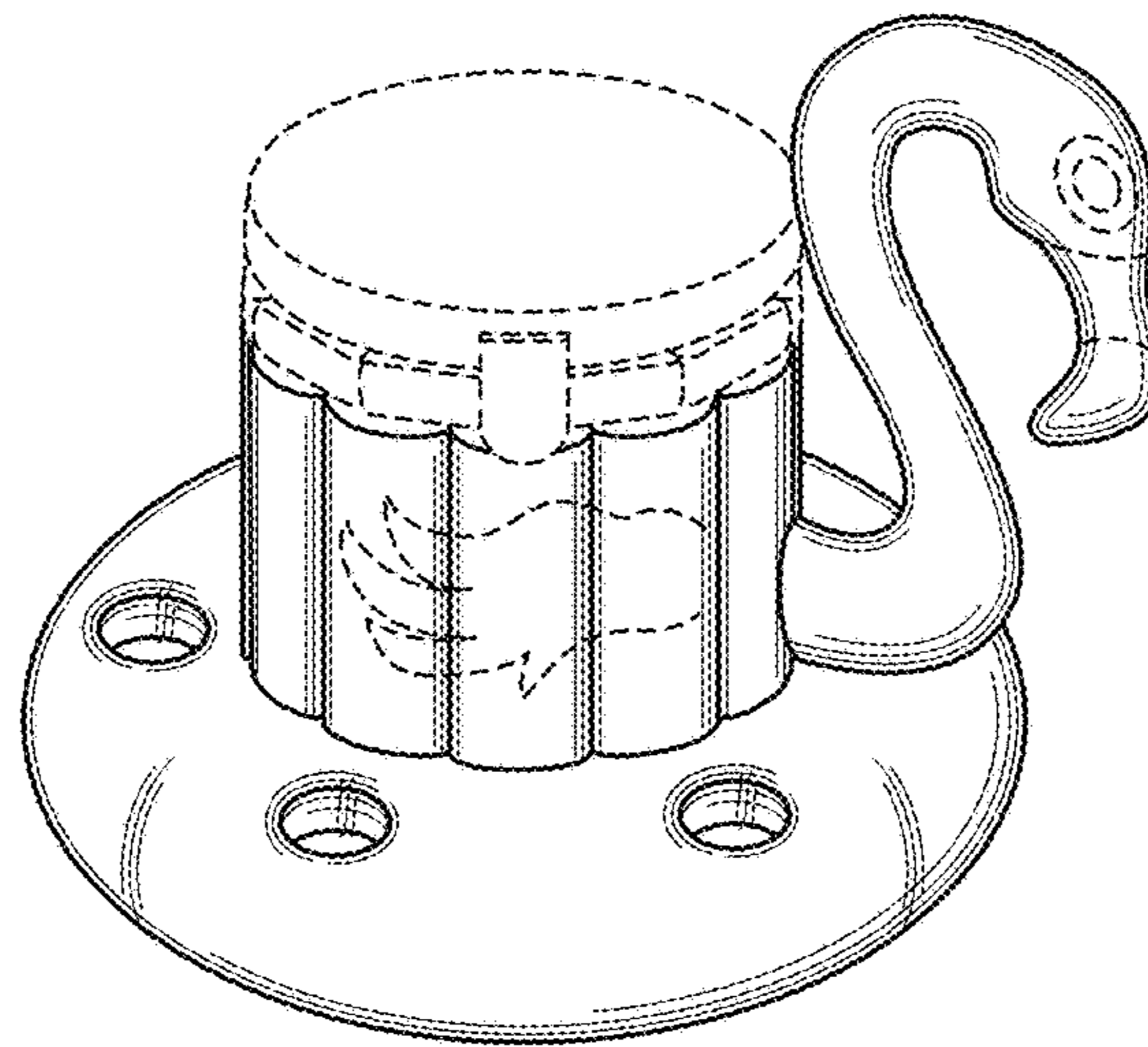


FIG. 1

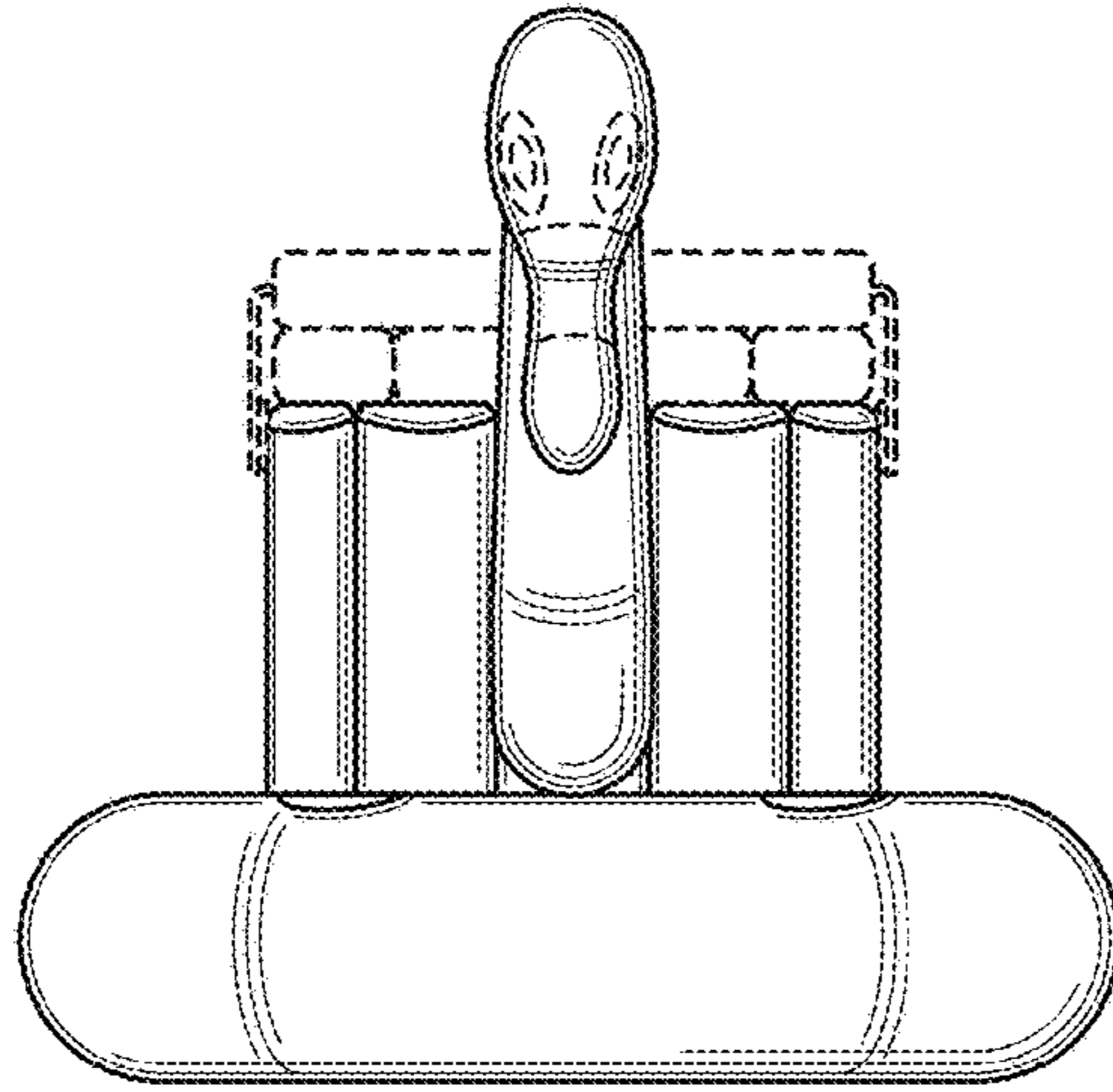


FIG. 2

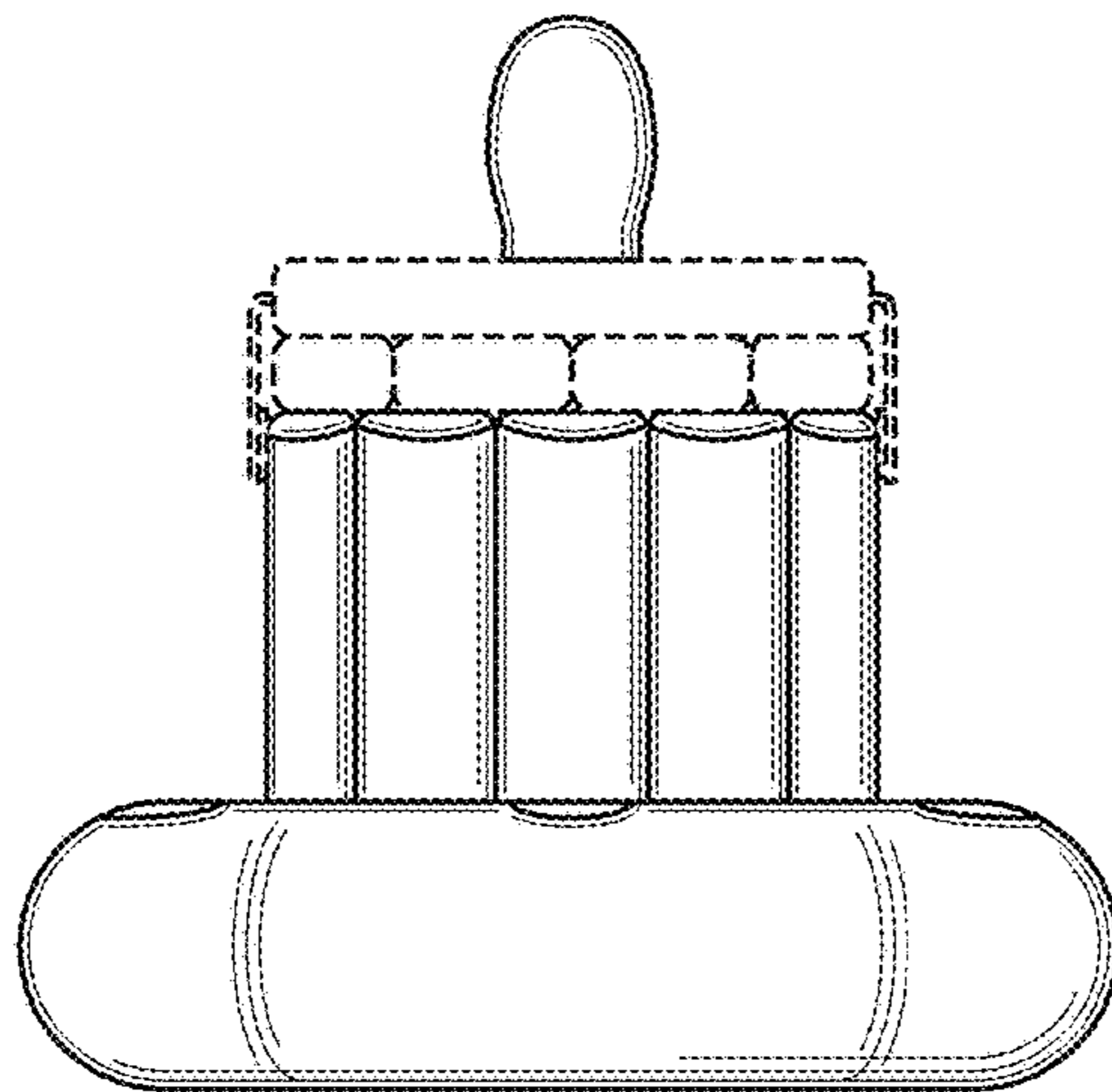


FIG. 3

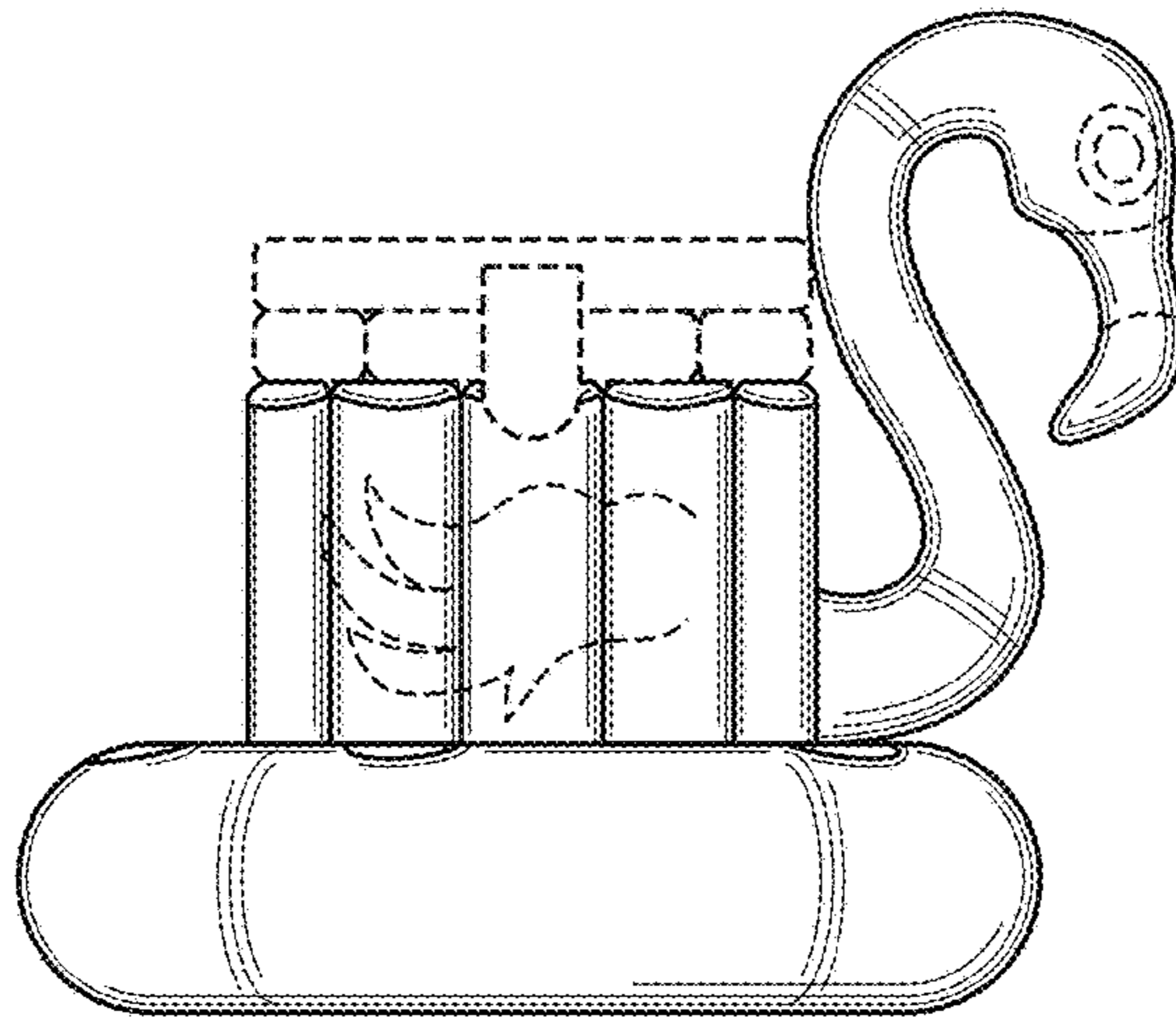


FIG. 4

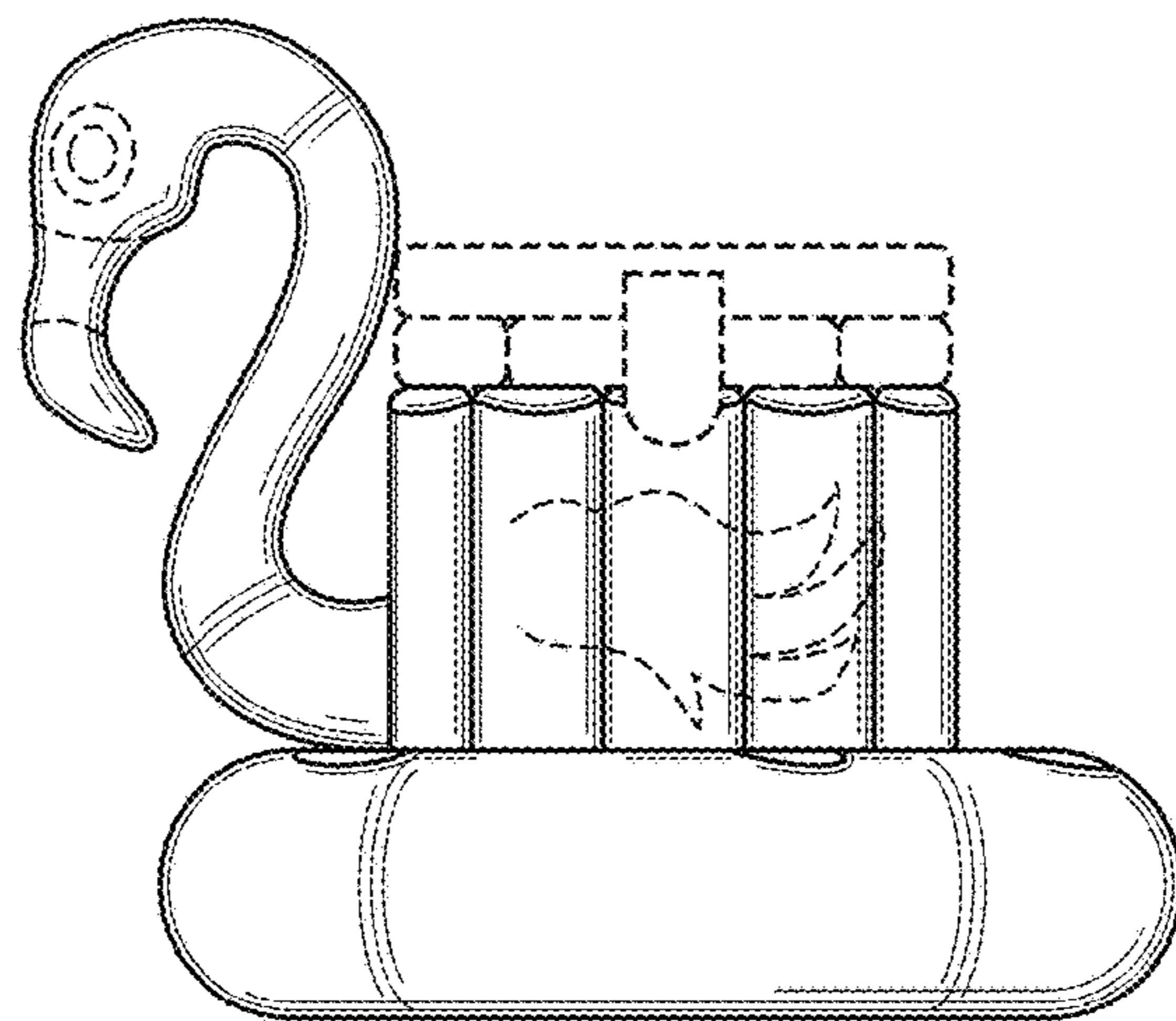


FIG. 5

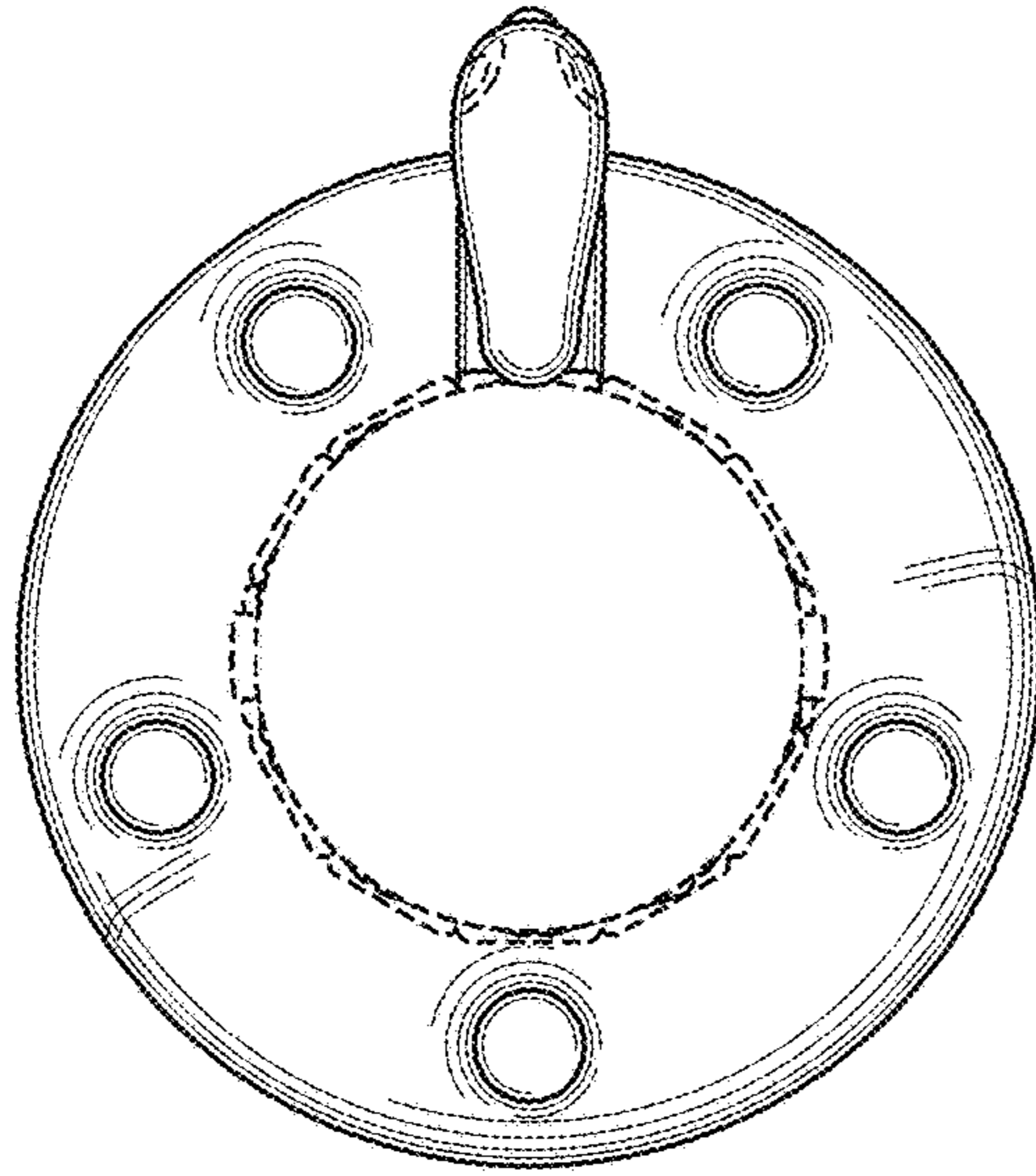


FIG. 6

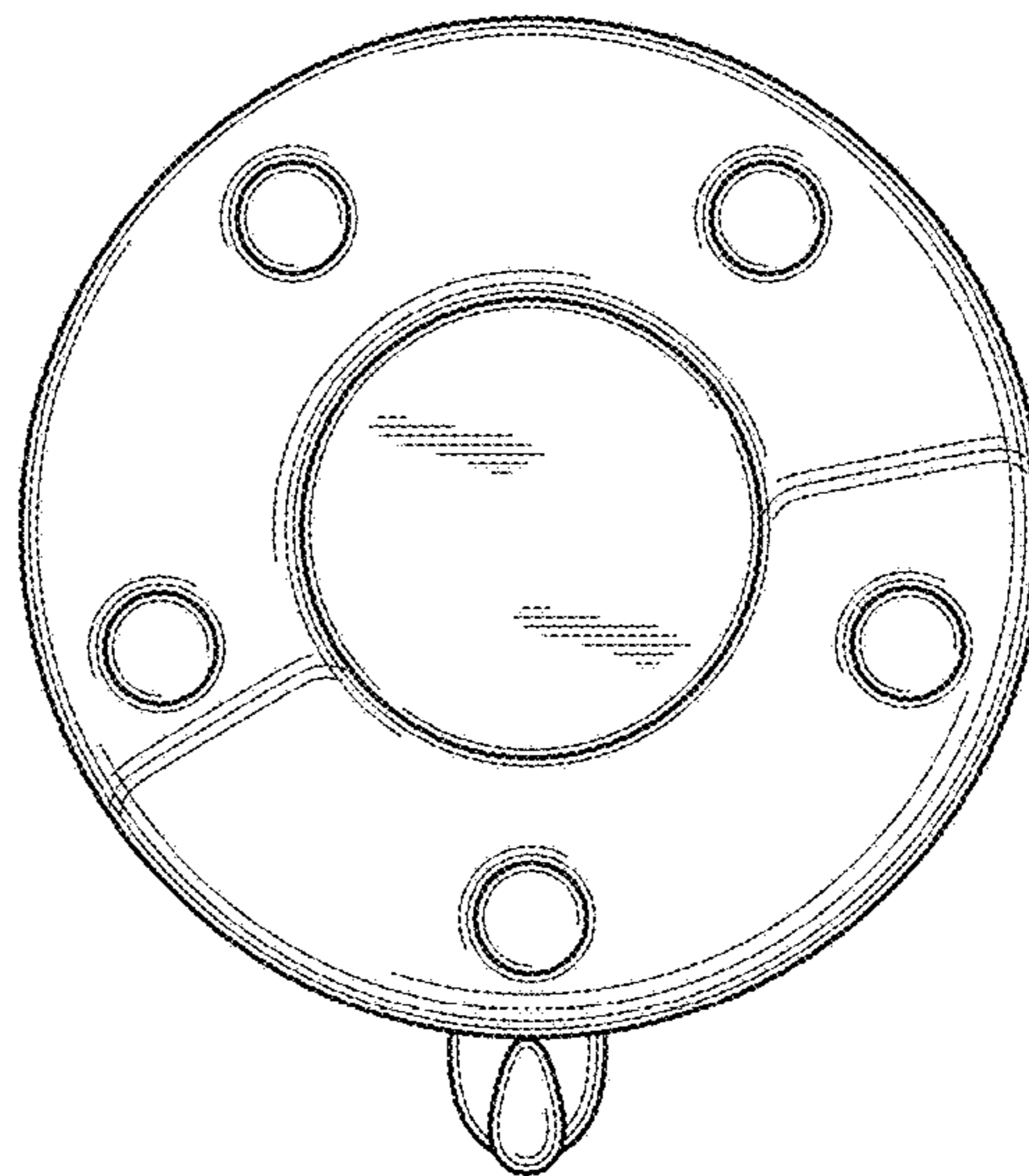


FIG. 7

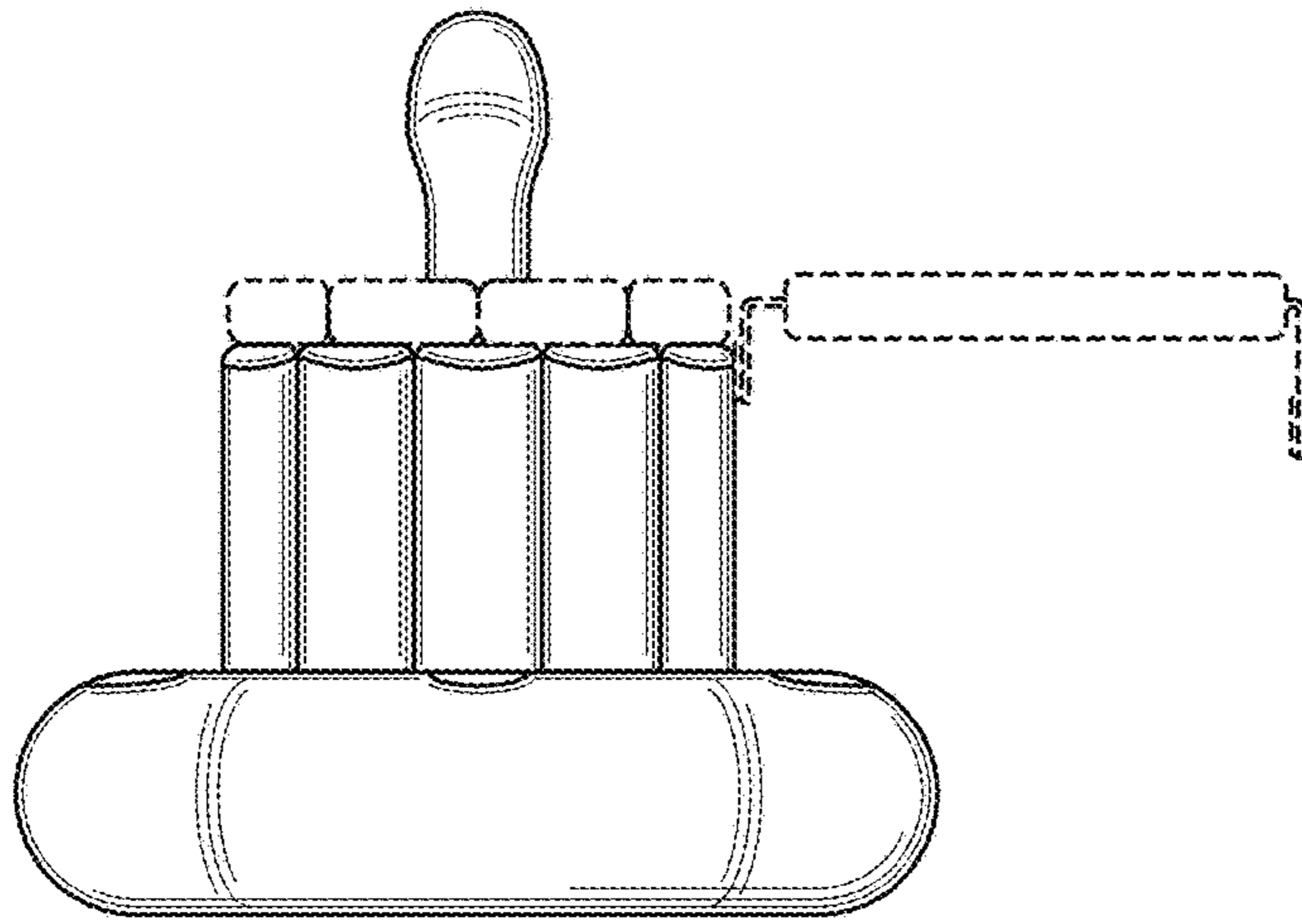


FIG. 8

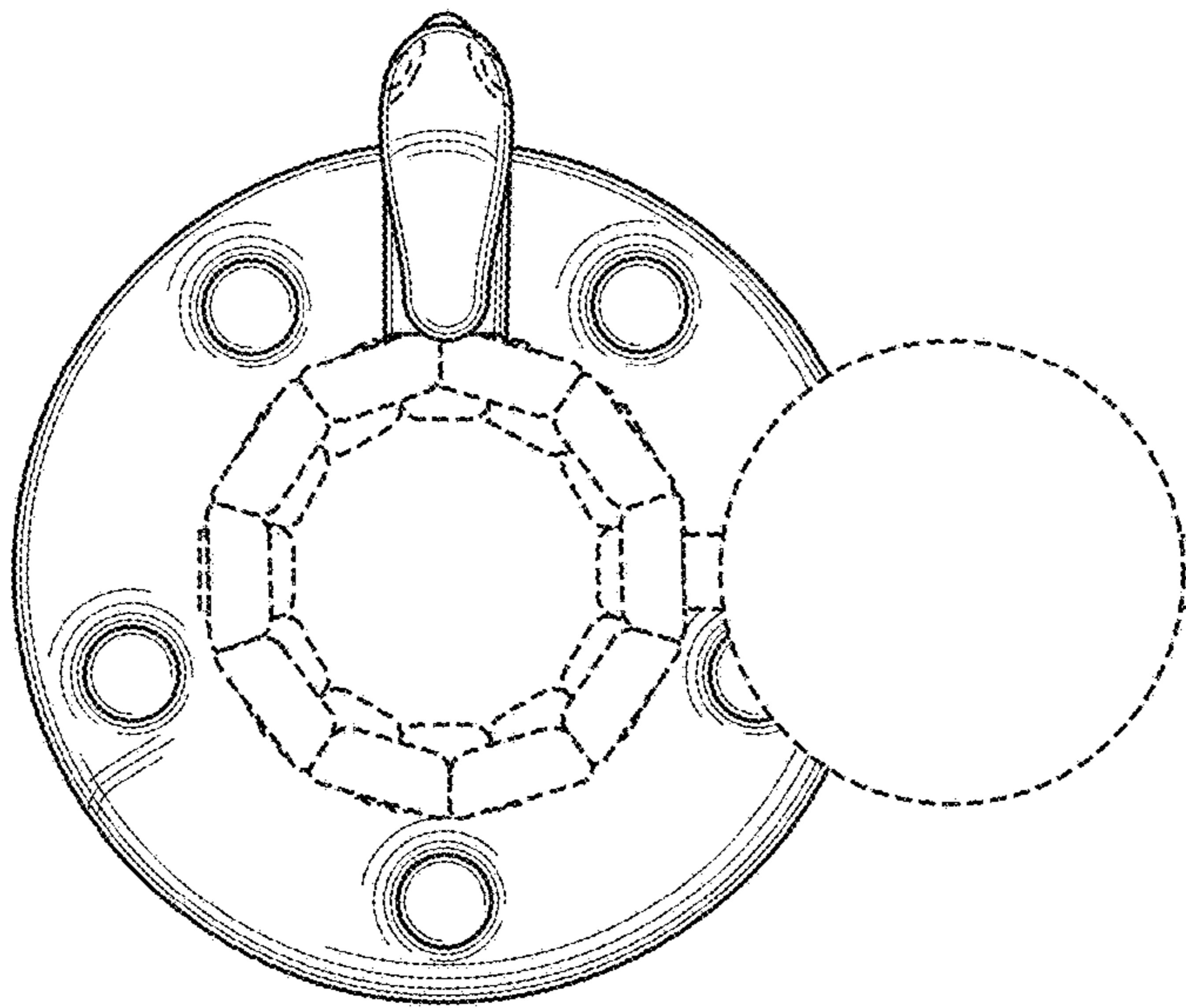


FIG. 9

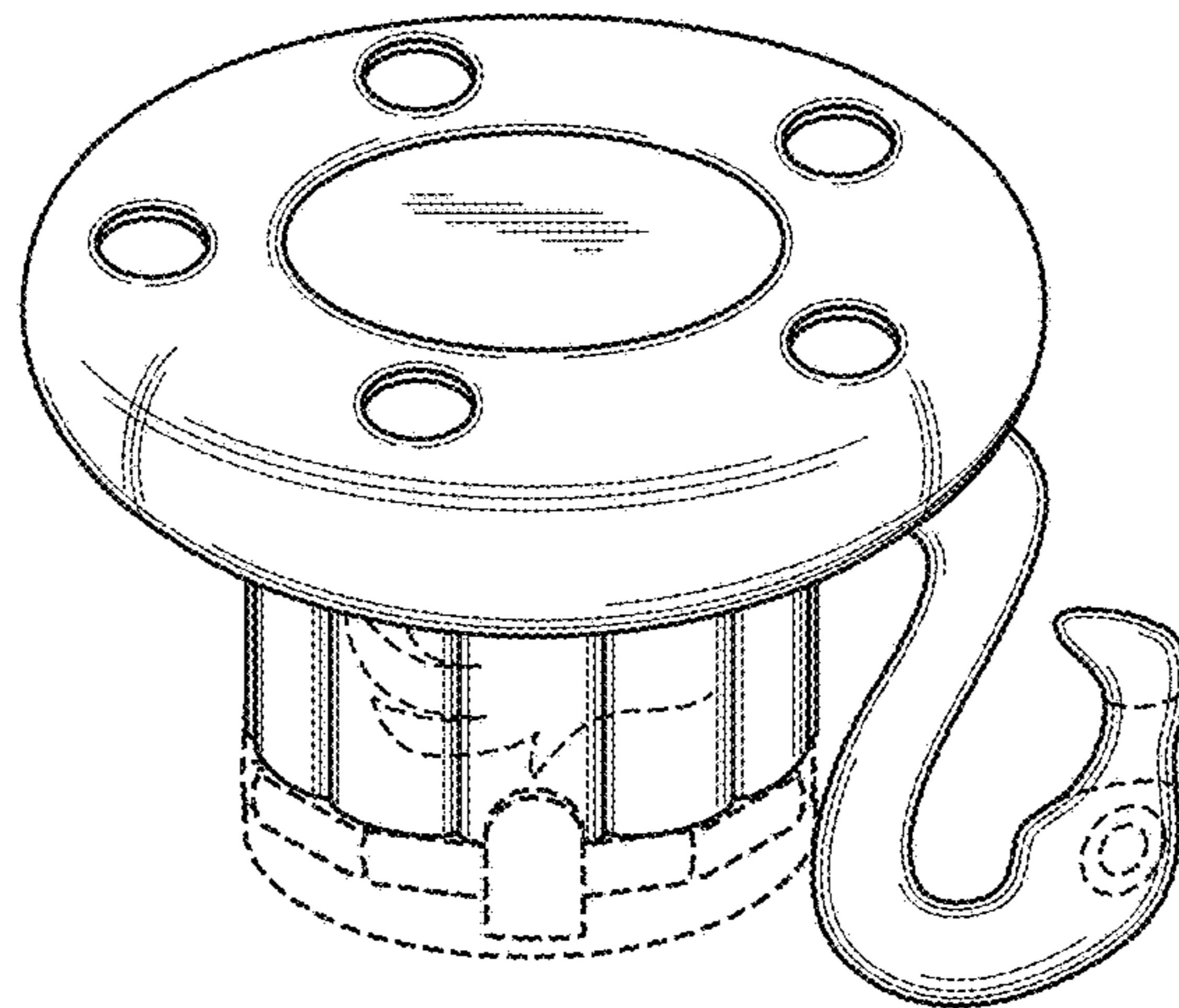


FIG. 10