



US00D847582S

(12) **United States Design Patent**
Jacobsen

(10) **Patent No.:** **US D847,582 S**

(45) **Date of Patent:** **** *May 7, 2019**

- (54) **LUNCH COOLER**
- (71) Applicant: **THERMOS L.L.C.**, Schaumburg, IL
(US)
- (72) Inventor: **Anne Jacobsen**, Carpentersville, IL
(US)
- (73) Assignee: **THERMOS L.L.C.**, Schaumburg, IL
(US)
- (*) Notice: This patent is subject to a terminal disclaimer.
- (**) Term: **15 Years**
- (21) Appl. No.: **29/598,478**
- (22) Filed: **Mar. 27, 2017**
- (51) **LOC (11) Cl.** **07-01**
- (52) **U.S. Cl.**
USPC **D7/605**
- (58) **Field of Classification Search**
USPC D7/605, 607, 608, 630, 629, 703;
D3/273, 276, 279, 282, 284, 289, 902,
D3/901, 274
CPC B65D 81/3813; B65D 81/3823; B65D
81/3888; B65D 81/3816; A45C 11/20;
F25B 19/00
See application file for complete search history.

- 3,610,409 A * 10/1971 Graf A45C 11/20
206/541
- 3,667,646 A * 6/1972 Graf A45C 11/20
206/232
- 3,869,595 A * 3/1975 Collins A45C 11/20
219/387
- 3,871,523 A * 3/1975 Bassett A45C 11/20
206/278
- 5,042,664 A * 8/1991 Shyr A45C 3/00
190/109
- D341,026 S * 11/1993 Barker D3/287
- D371,052 S * 6/1996 Melk D7/607
- D383,360 S * 9/1997 Melk D3/276

(Continued)

OTHER PUBLICATIONS

Amzon, "Nex Lunch Bag Fabric Double Decker Cooler Lunch Box . . . ", First reviewed Jun. 25, 2017 (<https://www.amazon.com/Fabric-Double-Insulated-Closure-Camouflage-2/dp/B01MS90SAV>).*

(Continued)

Primary Examiner — Jennifer Rivard
Assistant Examiner — April Rivas
(74) *Attorney, Agent, or Firm* — Polsinelli PC

(57) **CLAIM**

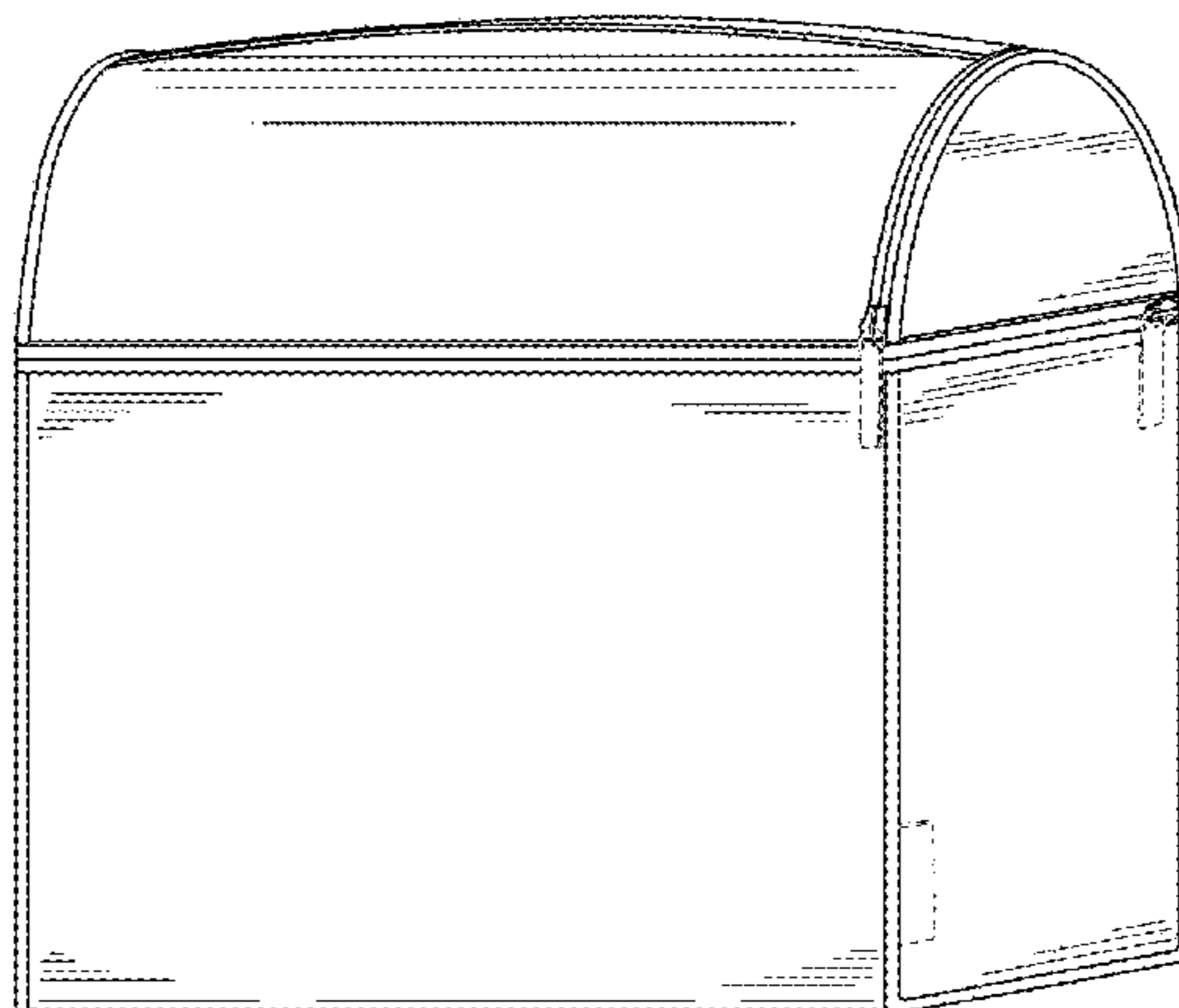
The ornamental design for a lunch cooler, as shown and described.

DESCRIPTION

FIG. 1 is a perspective view of the lunch cooler; FIG. 2 is a front view of the lunch cooler; FIG. 3 is a rear view of the lunch cooler; FIG. 4 is a right side view of the lunch cooler; FIG. 5 is a left side view of the lunch cooler; FIG. 6 is a top view of the lunch cooler; and, FIG. 7 is a bottom view of the lunch cooler. The broken lines showing in the figures are included for the purpose of illustrating portions of the lunch cooler that form no part of the claimed design.

1 Claim, 5 Drawing Sheets

- (56) **References Cited**
U.S. PATENT DOCUMENTS
- 2,803,373 A * 8/1957 Mundorff A45C 11/20
206/544
- 3,213,641 A * 10/1965 Agee A47J 41/0044
62/384
- 3,219,179 A * 11/1965 Tuccio A45C 11/20
206/541
- 3,482,078 A * 12/1969 Milne A45C 11/20
126/266
- 3,509,870 A * 5/1970 Sheppard A45C 11/20
126/265



(56)

References Cited

U.S. PATENT DOCUMENTS

D448,624 S * 10/2001 Moffett, III D7/605
6,541,738 B1 * 4/2003 Casasola A45C 11/20
219/387
D527,226 S * 8/2006 Maldonado D7/607
D573,422 S * 7/2008 Tagliati D3/287
8,016,090 B2 * 9/2011 McCoy B65D 81/389
190/107
D762,384 S * 8/2016 Boroski D3/283
D772,655 S * 11/2016 Jacobsen D7/605
D773,252 S * 12/2016 Jacobsen D7/605
2015/0335119 A1 * 11/2015 Baker A45C 11/20
206/545
2017/0188754 A1 * 7/2017 Zimberg C09K 5/063

OTHER PUBLICATIONS

Office Depot, "Arctic Zone Classic Lunch Bucket, Assorted Color",
First reviewed Oct. 30, 2014. (<https://www.officedepot.com/a/products/740574/Arctic-Zone-Classic-Lunch-Bucket-Assorted/>).*

Youtube, "Mackenzie Lunch Bags for Girls | Pottery Barn Kids",
Posted by user "Pottery Barn Kids" on Jul. 30, 2015. (<https://www.youtube.com/watch?v=GHmvqyjAyZs>).*

Youtube, "PuTwo Insulated Lunch Bag Tote Large Capacity with
Adjustable Shoulder Strap Lunch Bag Allerbaby", Posted by user
"PuTwoLA" on Feb. 1, 2016. (<https://www.youtube.com/watch?v=Fribod5Cwqc>).*

Target, "Thermos Genuine Thermos Brand Lunch Bag with Bento
Box—Stripes", Reviewed on Oct. 31, 2016 ("15 months ag").
(<https://intl.target.com/p/thermos-lunch-box-set-black-white/-/A-50475087>).*

* cited by examiner

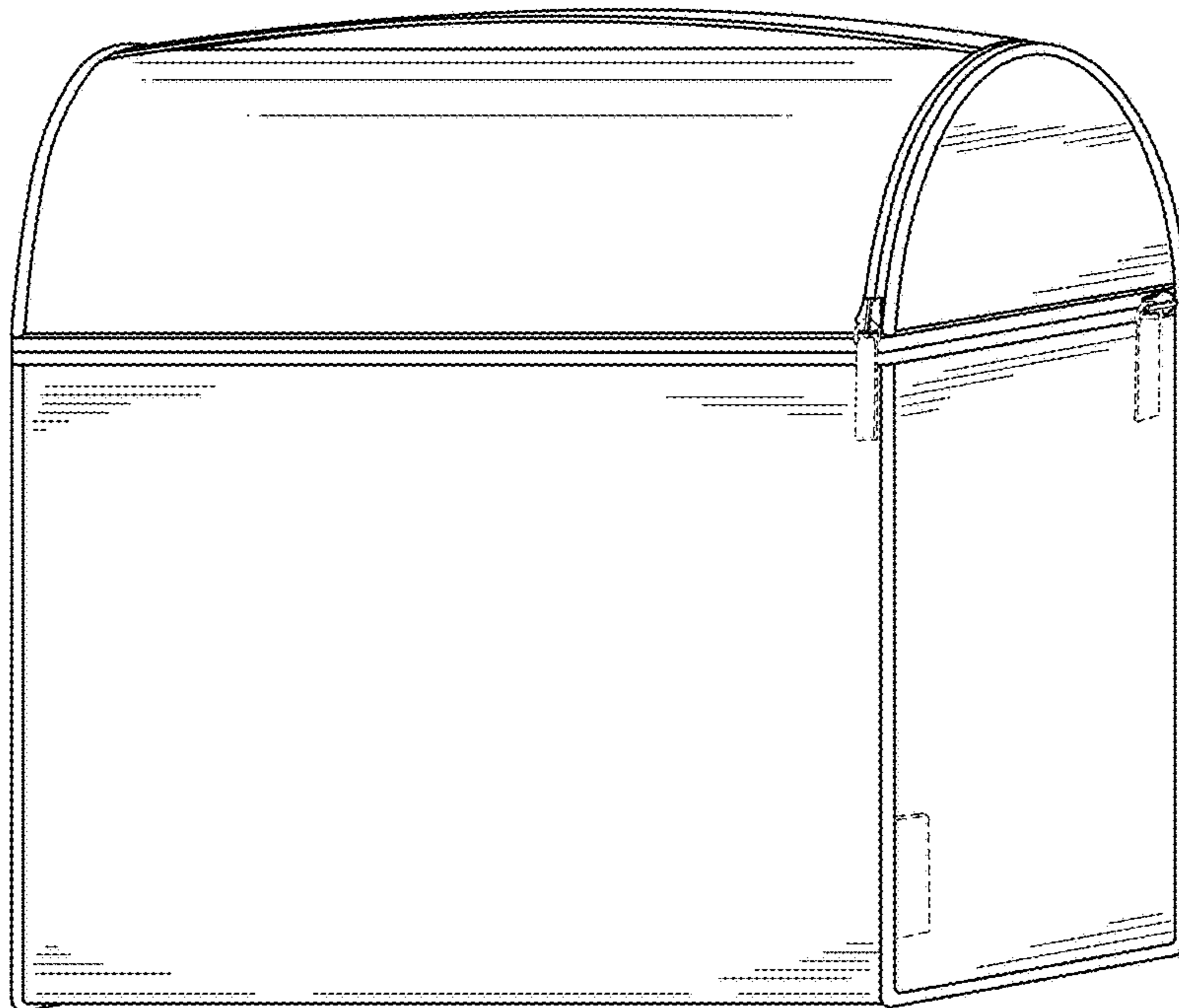


FIG. 1

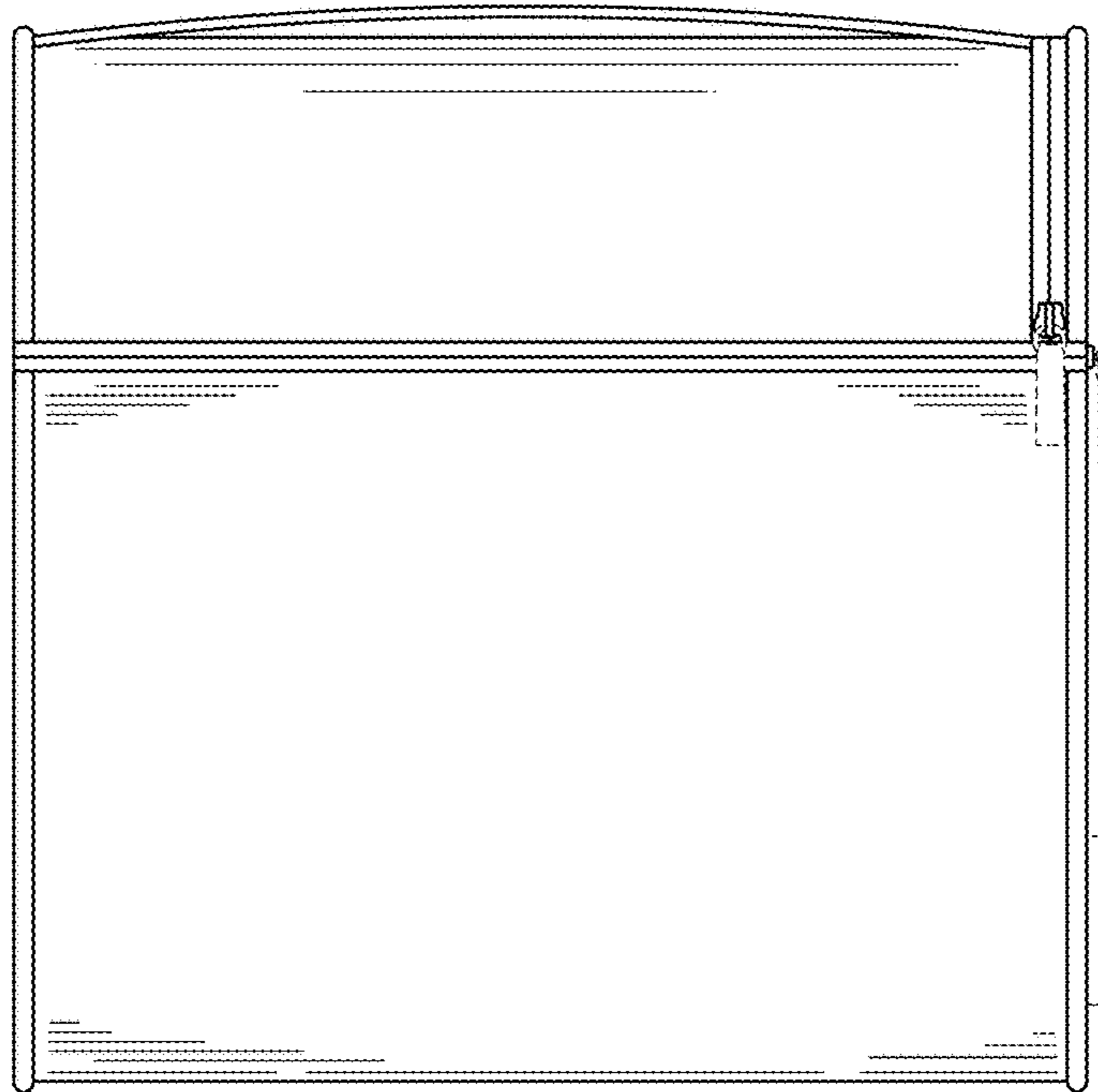


FIG. 2

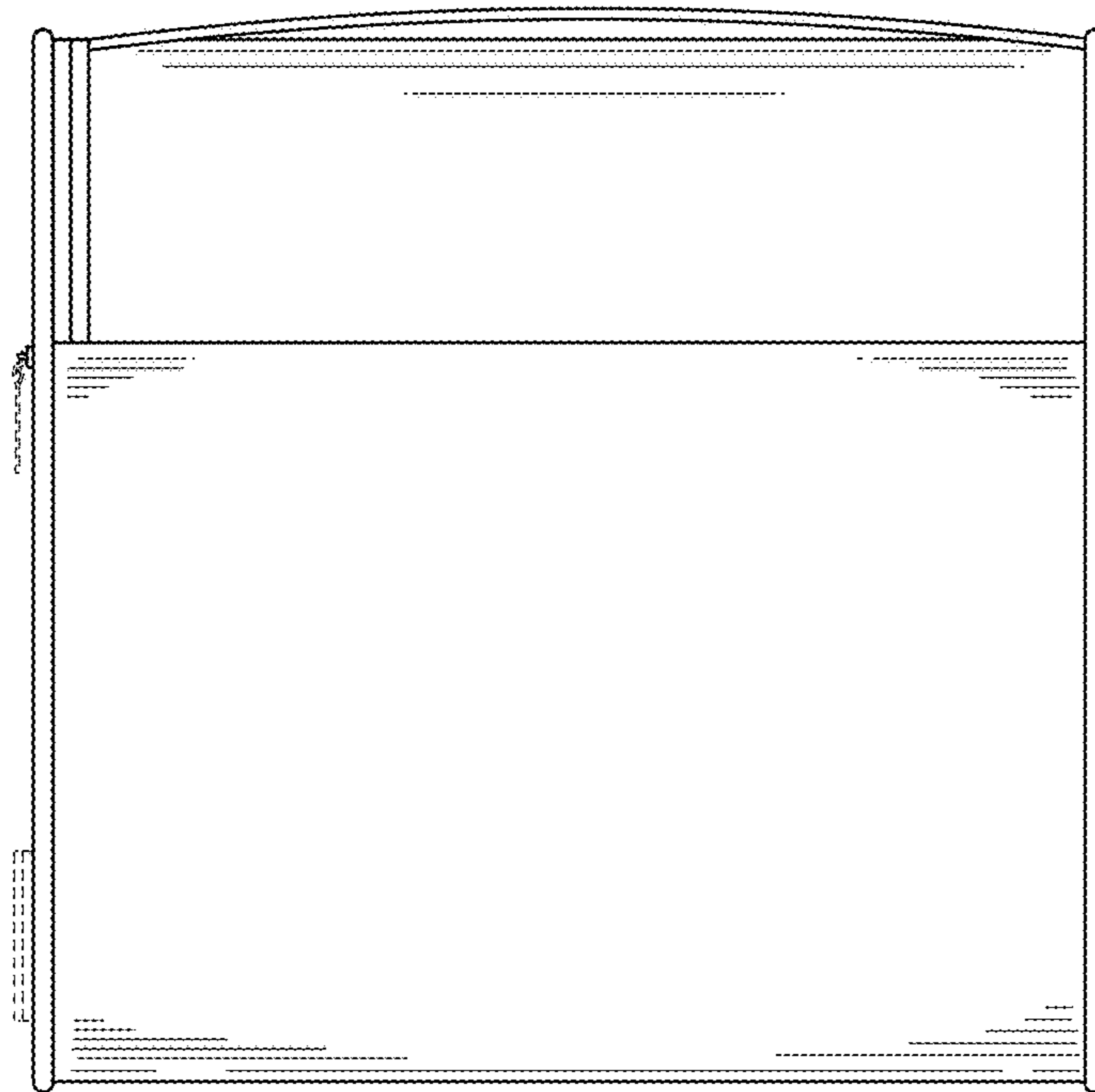


FIG. 3

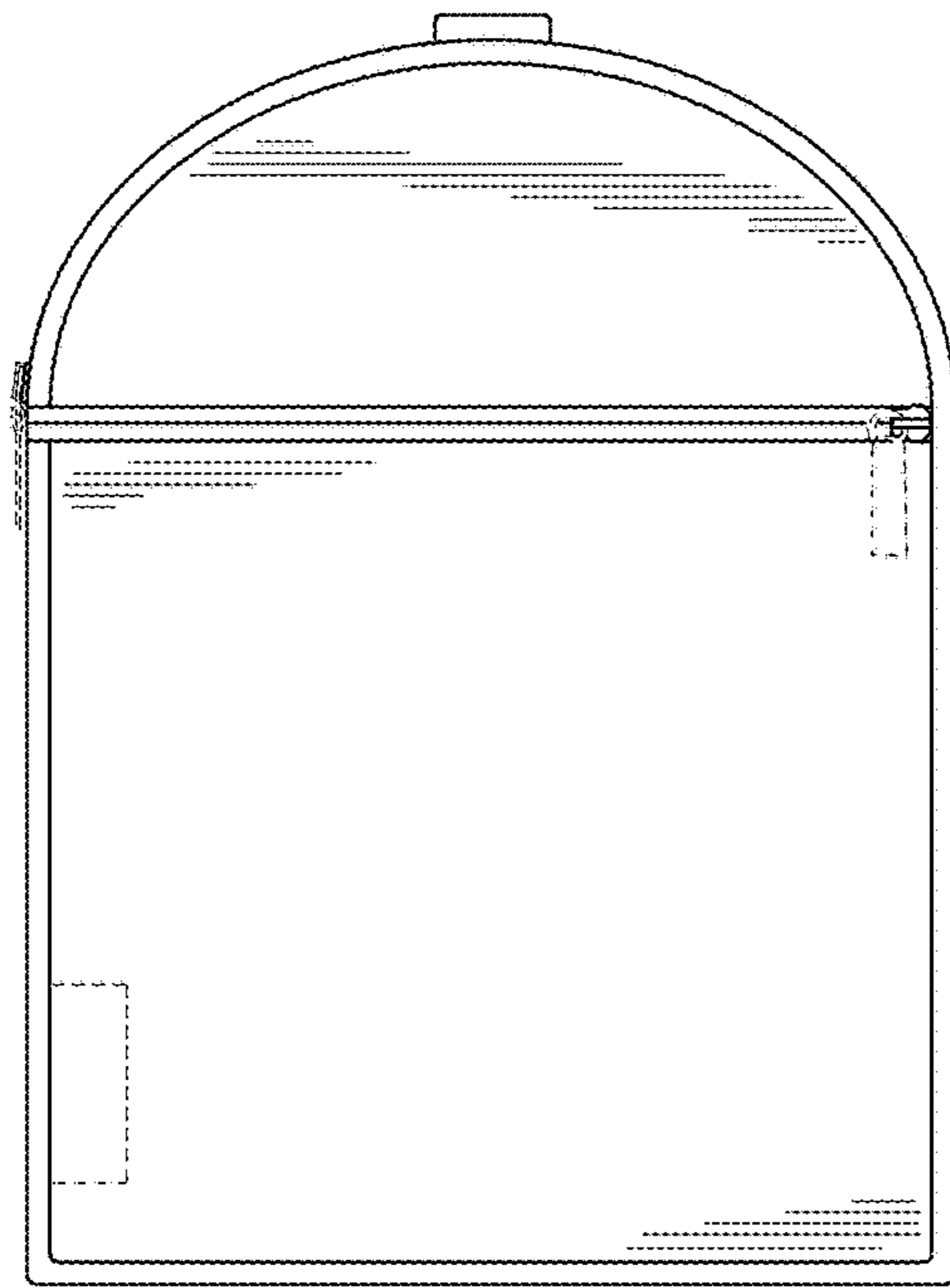


FIG. 4

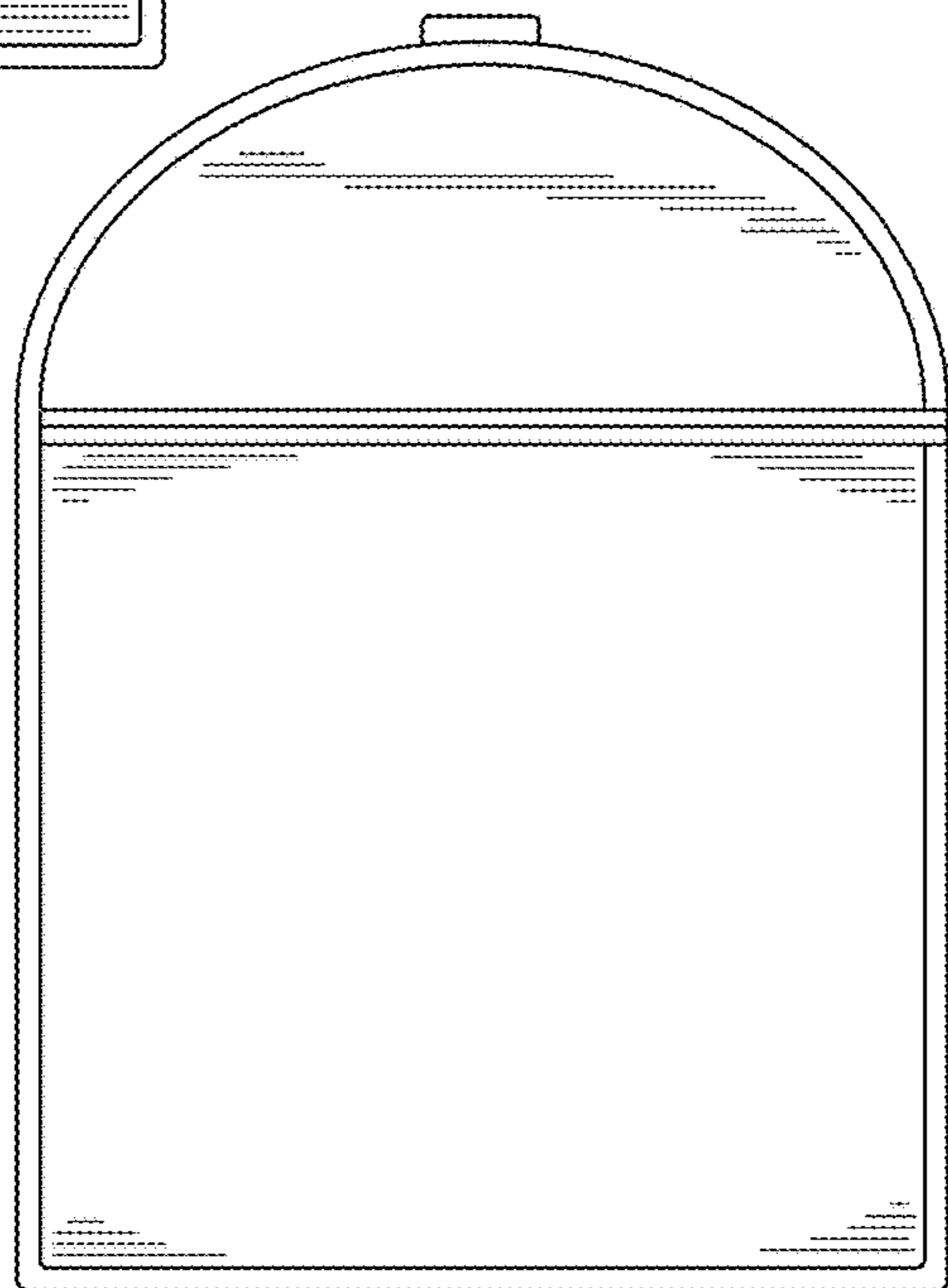


FIG. 5

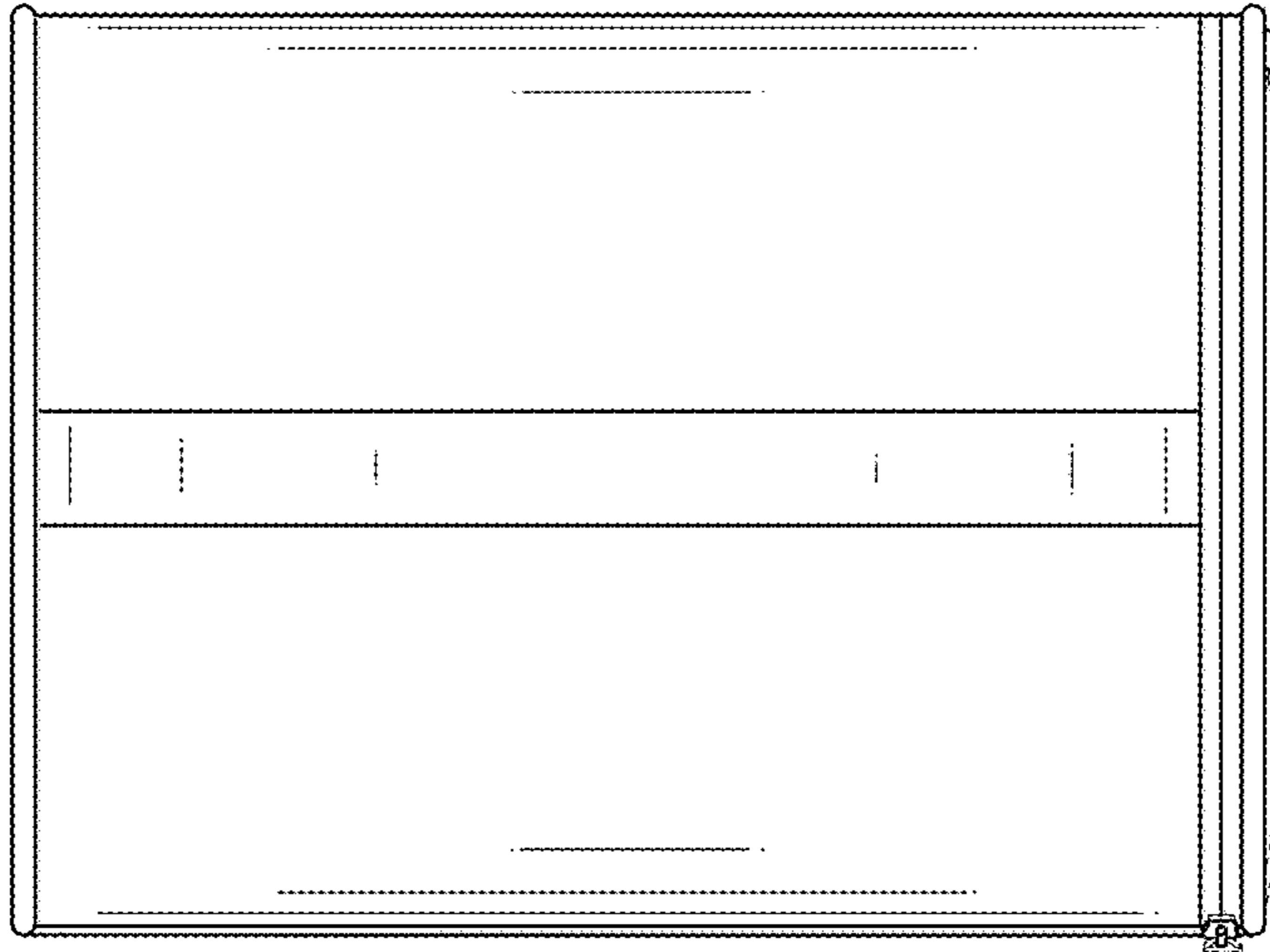


FIG. 6

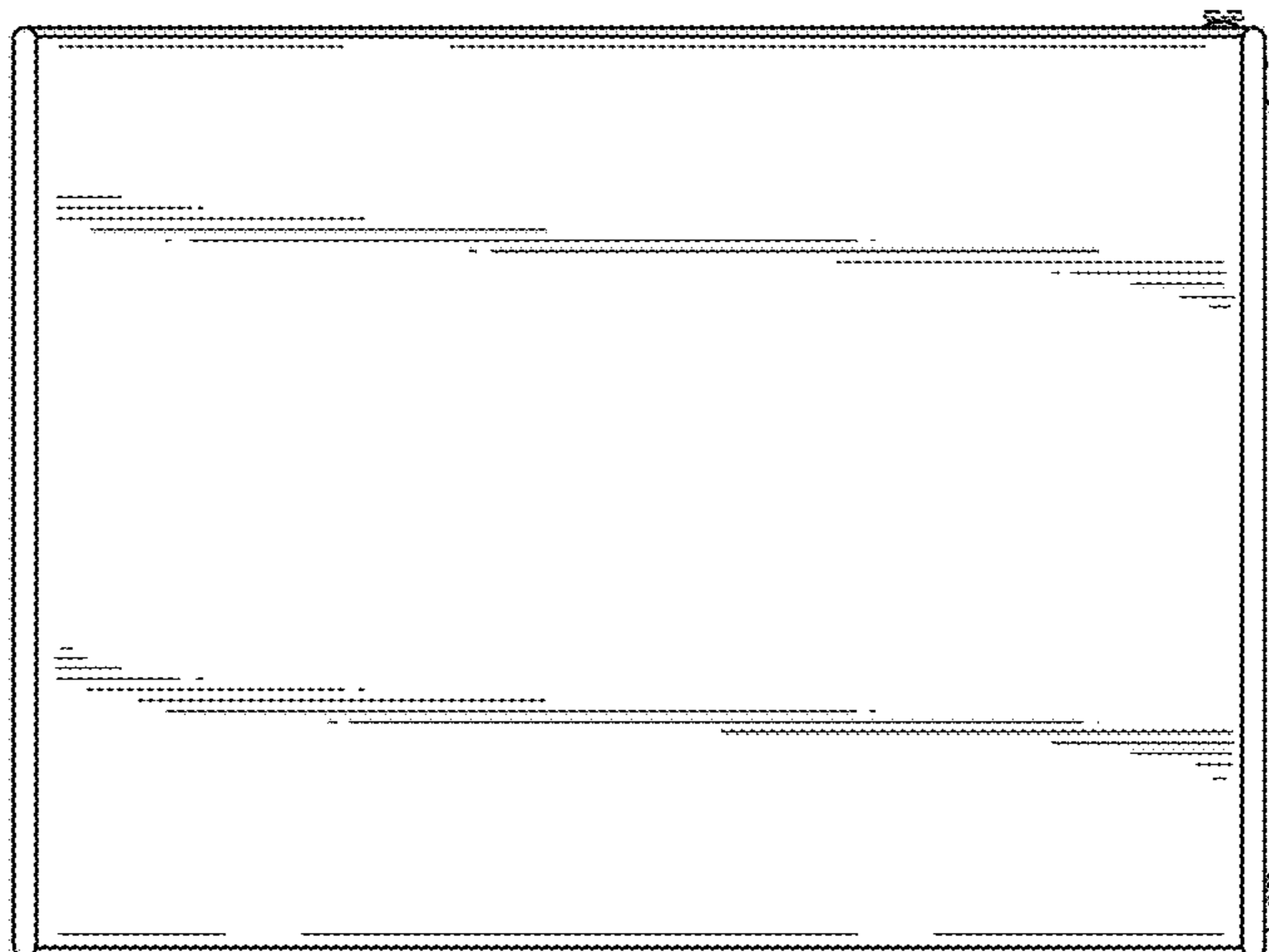


FIG. 7