

US00D847578S

(12) **United States Design Patent** (10) **Patent No.:** **US D847,578 S**
Khan (45) **Date of Patent:** **** May 7, 2019**

(54) **DRINKWARE**

(71) Applicant: **Gold Crest Distributing, LLC,**
Mexico, MO (US)

(72) Inventor: **Farhan Khan,** Sanford, FL (US)

(73) Assignee: **Gold Crest Distributing, LLC,**
Mexico, MO (US)

(**) Term: **15 Years**

(21) Appl. No.: **29/621,553**

(22) Filed: **Oct. 9, 2017**

Related U.S. Application Data

(62) Division of application No. 29/551,644, filed on Jan. 15, 2016, now Pat. No. Des. 803,000.

(51) **LOC (11) Cl.** **07-01**

(52) **U.S. Cl.**
USPC **D7/523**

(58) **Field of Classification Search**
USPC D7/509–510, 301–302, 514, 523, 300.1,
D7/605, 543, 537–538; D9/516, 544,
D9/562–563, 569, 520, 564, 548
CPC C02F 2307/02; C02F 1/002; A45F 3/16;
A45F 3/18; A45F 2003/163; A45F
2003/166; A45F 2200/0583; B62J 11/00;
B65D 1/0207; B65D 47/30; B65D
23/102; A47G 19/2205; A47G 19/2288;
A47G 19/23; A47G 19/2272; A47G
19/28; A47G 2019/2294
See application file for complete search history.

(56) **References Cited**

U.S. PATENT DOCUMENTS

D439,789 S 4/2001 Kaposi et al.
D519,320 S 4/2006 Festa
D577,547 S 9/2008 Willat et al.

D646,926 S 10/2011 Willat et al.
D658,924 S 5/2012 Sabadicci
D663,589 S 7/2012 Pascot
D724,898 S 3/2015 Willat et al.
D770,851 S 11/2016 Herbst
D789,792 S * 6/2017 Herbst D9/542
D790,921 S * 7/2017 Lapsker D7/510
D801,119 S * 10/2017 Petre D7/523
D809,394 S * 2/2018 Steward D9/516
2006/0249518 A1 11/2006 Festa
2011/0132781 A1 6/2011 Willat et al.
2013/0334166 A1 12/2013 Garipalli et al.

(Continued)

OTHER PUBLICATIONS

Beer Glass (EverDrinkware) Must, posted © 2013 [online], retrieved Aug. 14, 2018, retrieved from internet, <https://www.goldcrestdistributing.com/product_info.php?prodID=71961>.*

(Continued)

Primary Examiner — Barbara Fox

Assistant Examiner — Messina L Smith

(74) *Attorney, Agent, or Firm* — Martin & Associates, LLC; Derek P. Martin

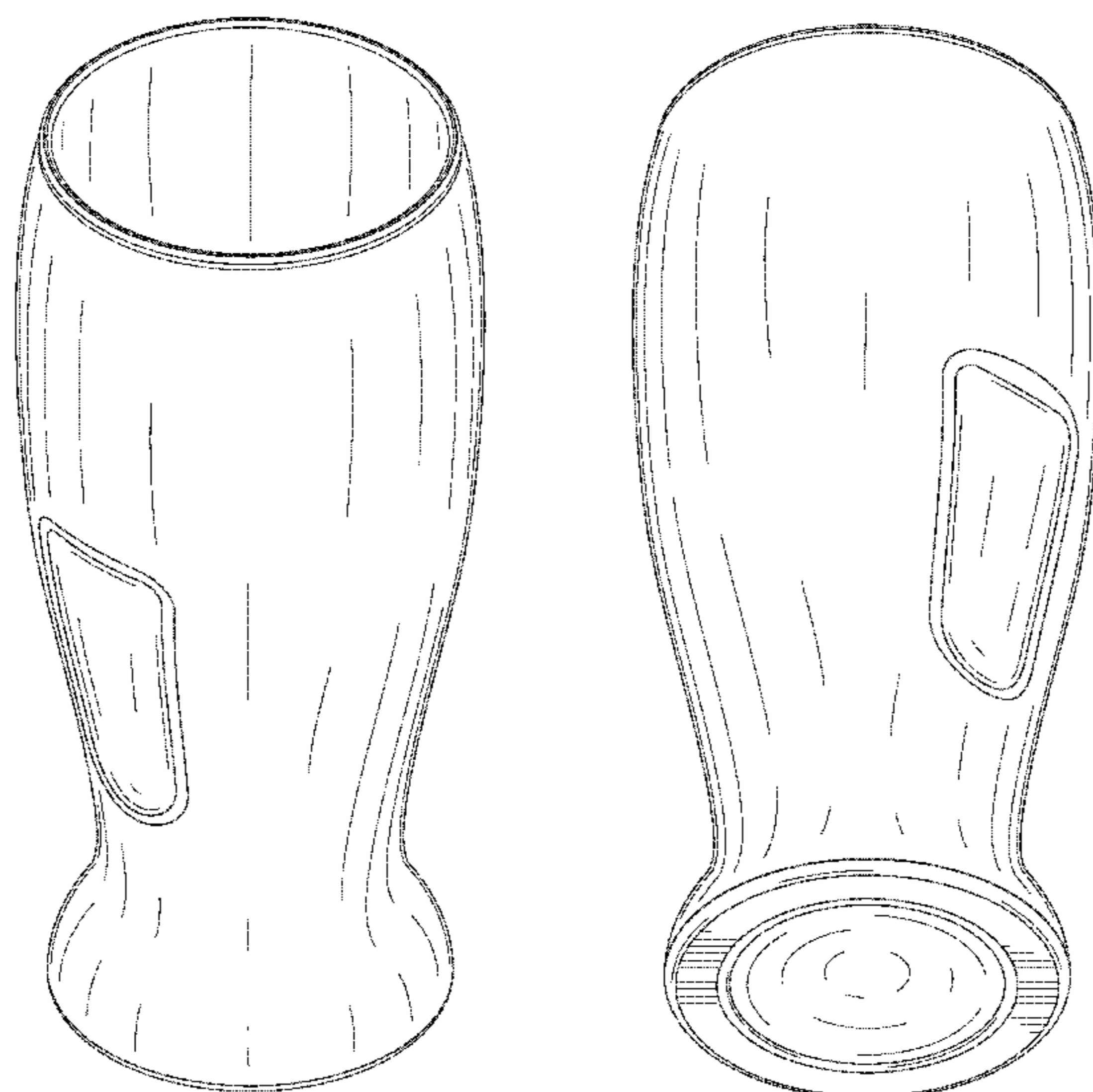
(57) **CLAIM**

The ornamental design for drinkware, as shown and described.

DESCRIPTION

FIG. 1 is a top perspective view of drinkware, showing the new design;
FIG. 2 is a bottom perspective view of the drinkware;
FIG. 3 is top view of the drinkware;
FIG. 4 is a bottom view of the drinkware;
FIG. 5 is a front view of the drinkware, the rear view being identical; and,
FIG. 6 is a right side view of the drinkware, the left side view being identical.

1 Claim, 5 Drawing Sheets



(56)

References Cited

U.S. PATENT DOCUMENTS

2016/0236816 A1 8/2016 Liu

OTHER PUBLICATIONS

Ozeri Moderna Artisan Series Double Wall Beverage Glasses, 8-ounce, Set of 4, posted at Amazon.com, posted on Aug. 30, 2010, site visited Jan. 17, 2017, <<https://www.amazon.com/Ozeri-Moderna-Artisan-Beverage-Glasses/dp/B004101WMO>>.

Get-A-Grip Cups, posted at Jonathancastrodesigns.com, no posting date given, © 2015, site visited Jan. 17, 2017, <<http://www.jonathancastrodesigns.com/>>.

Govino Wine Glass Flexible Shatterproof Recyclable, Set of 4, posted at Amazon.com, posted on May 5, 2003, site visited Jan. 17, 2017, <<https://www.amazon.com/Govino-Glass-Flexible-Shatterproof-Recyclable/dp/B002WXSAT6>>.

Easy Grip Universal Cup (Pkg/3), posted at Elderstone.com, no posting date given, © 2001-2013, site visited Jan. 17, 2017, <<http://www.elderstone.net/easygripcup.aspx>>.

Go Vino Stemless Champagne Flute, posted at Wineenthusiast.com, posted on Dec. 26, 2012, site visited Jan. 17, 2017, <<http://www.wineenthusiast.com/go-vino-stemless-champagne-flute.asp>>.

Jung, H.K., English Abstract of Korean Patent Application Publication KR2004070844, Aug. 11, 2004.

Medway, B., Abstract of Canadian Patent Application Publication CA2869555 published Feb. 13, 2016.

* cited by examiner

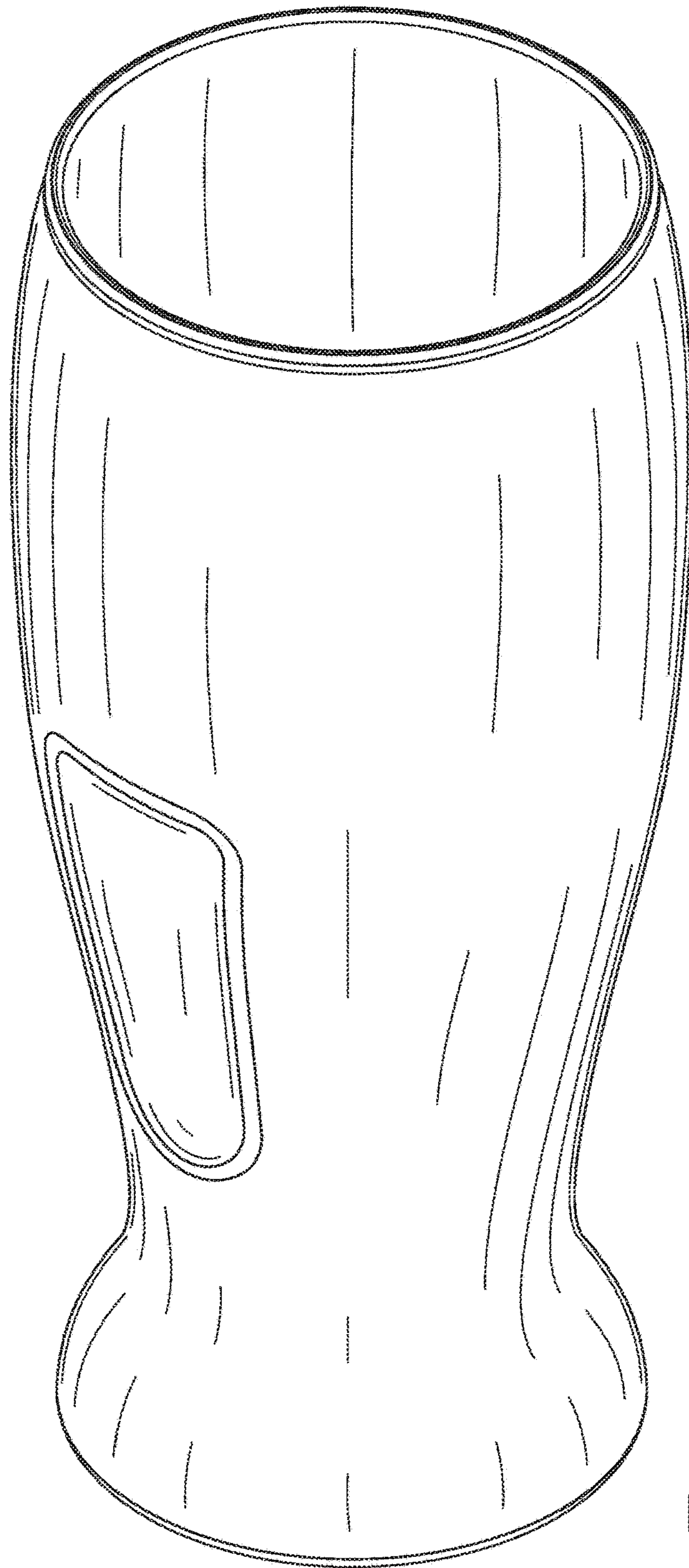


FIG. 1

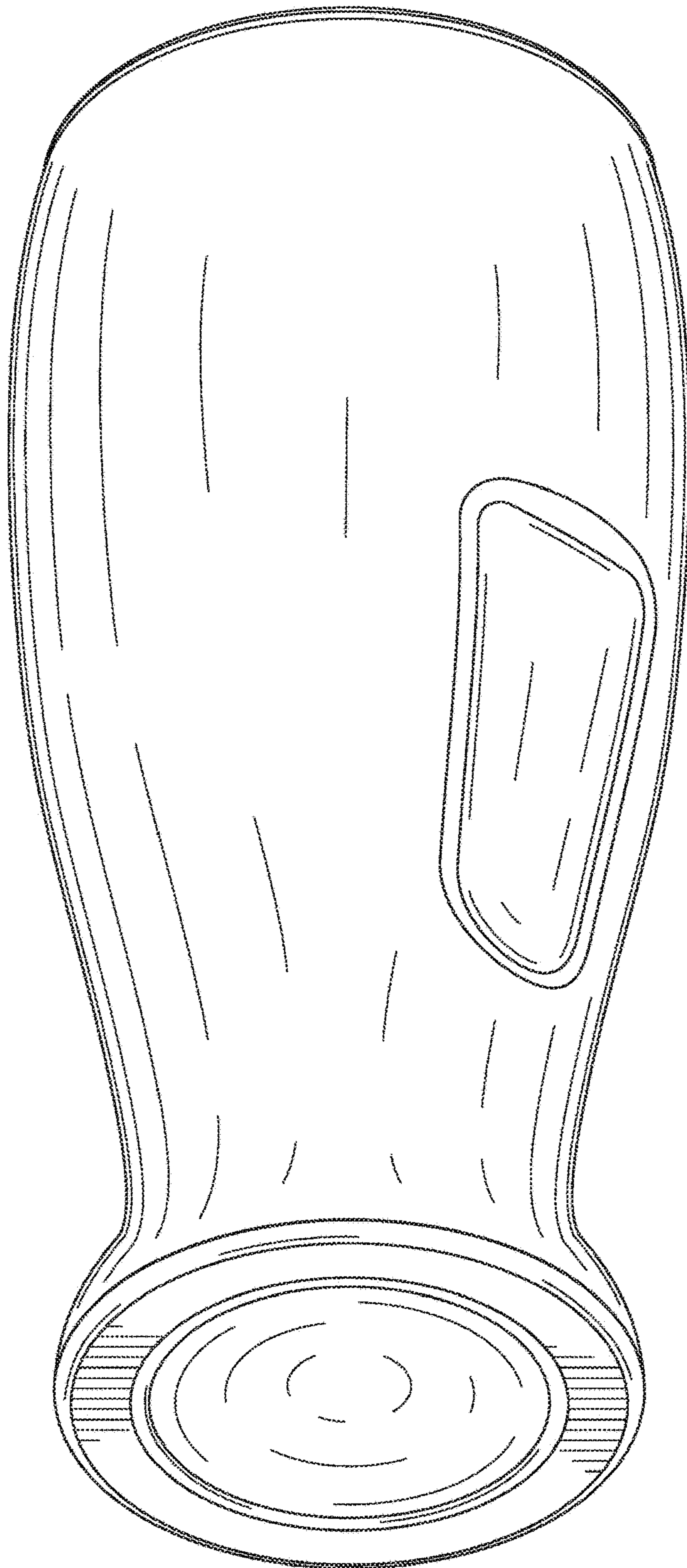


FIG. 2

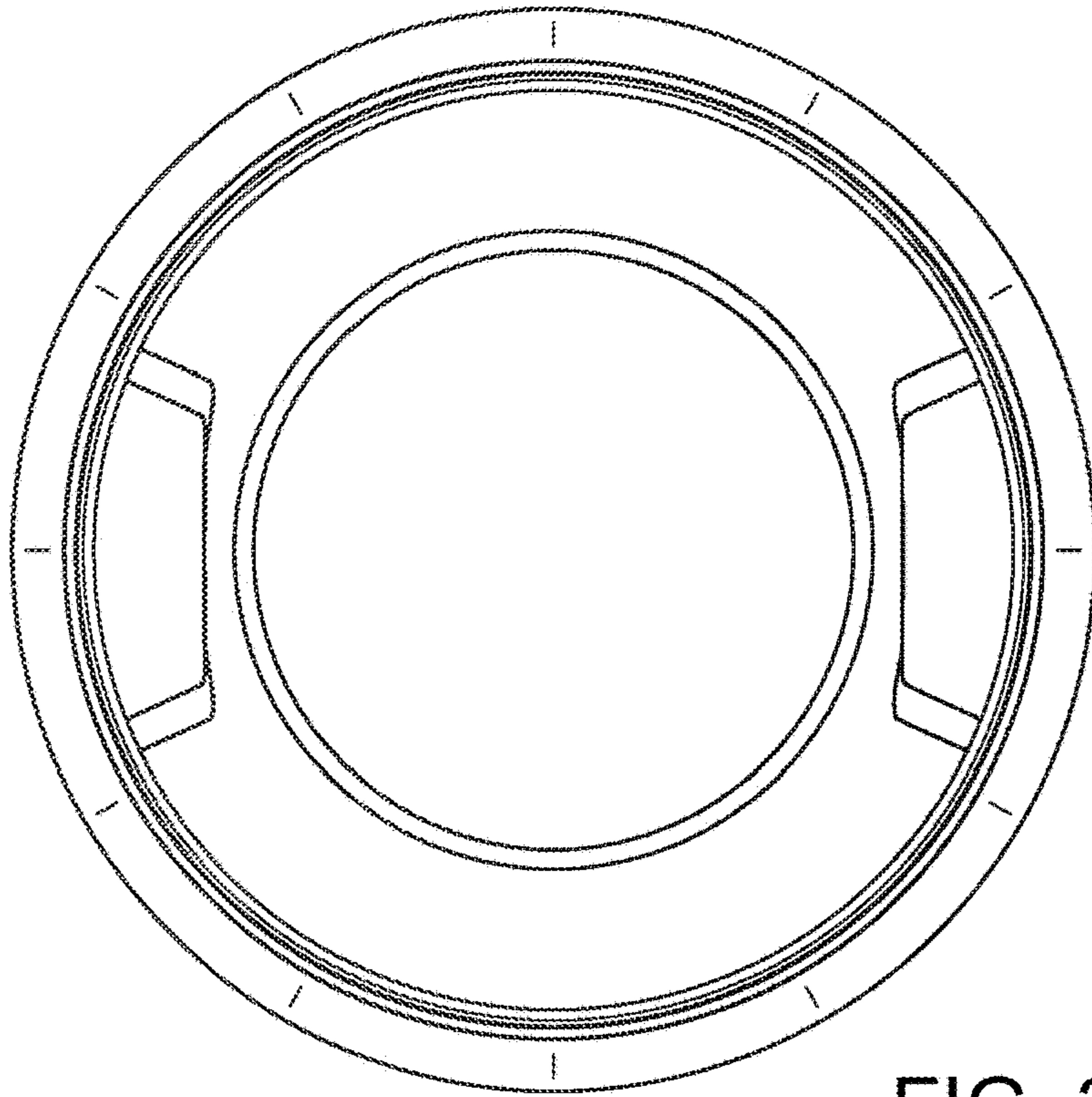


FIG. 3

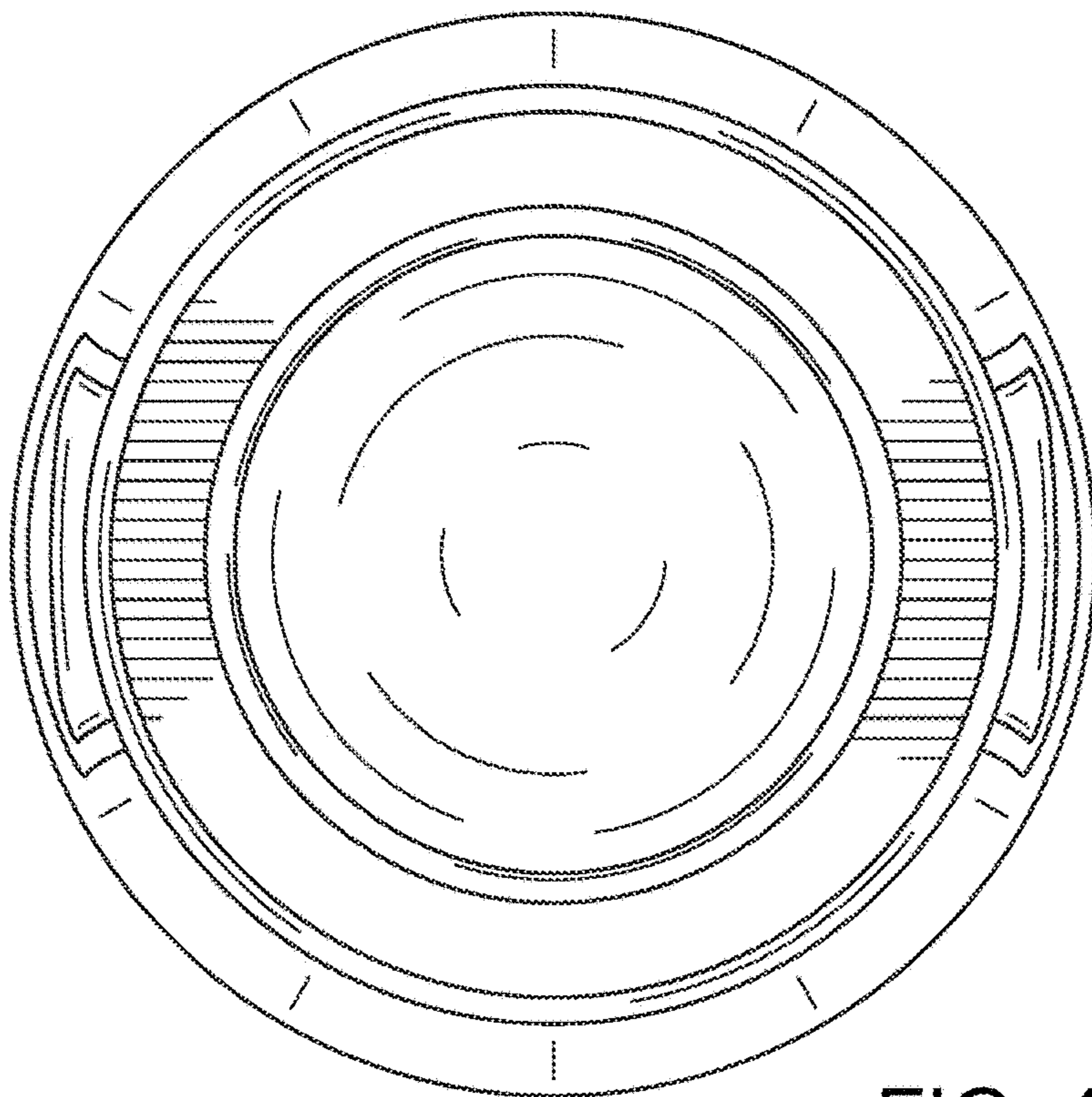


FIG. 4

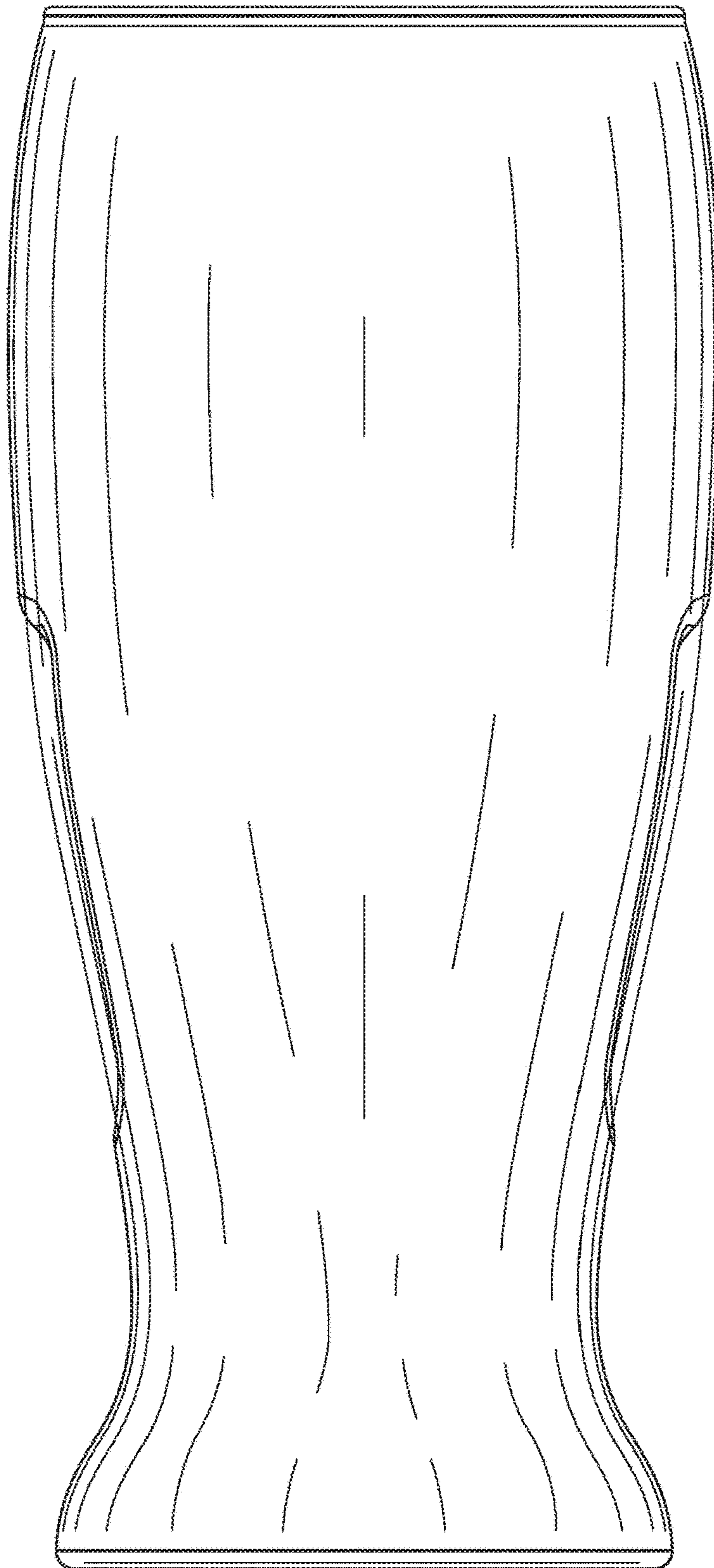


FIG. 5

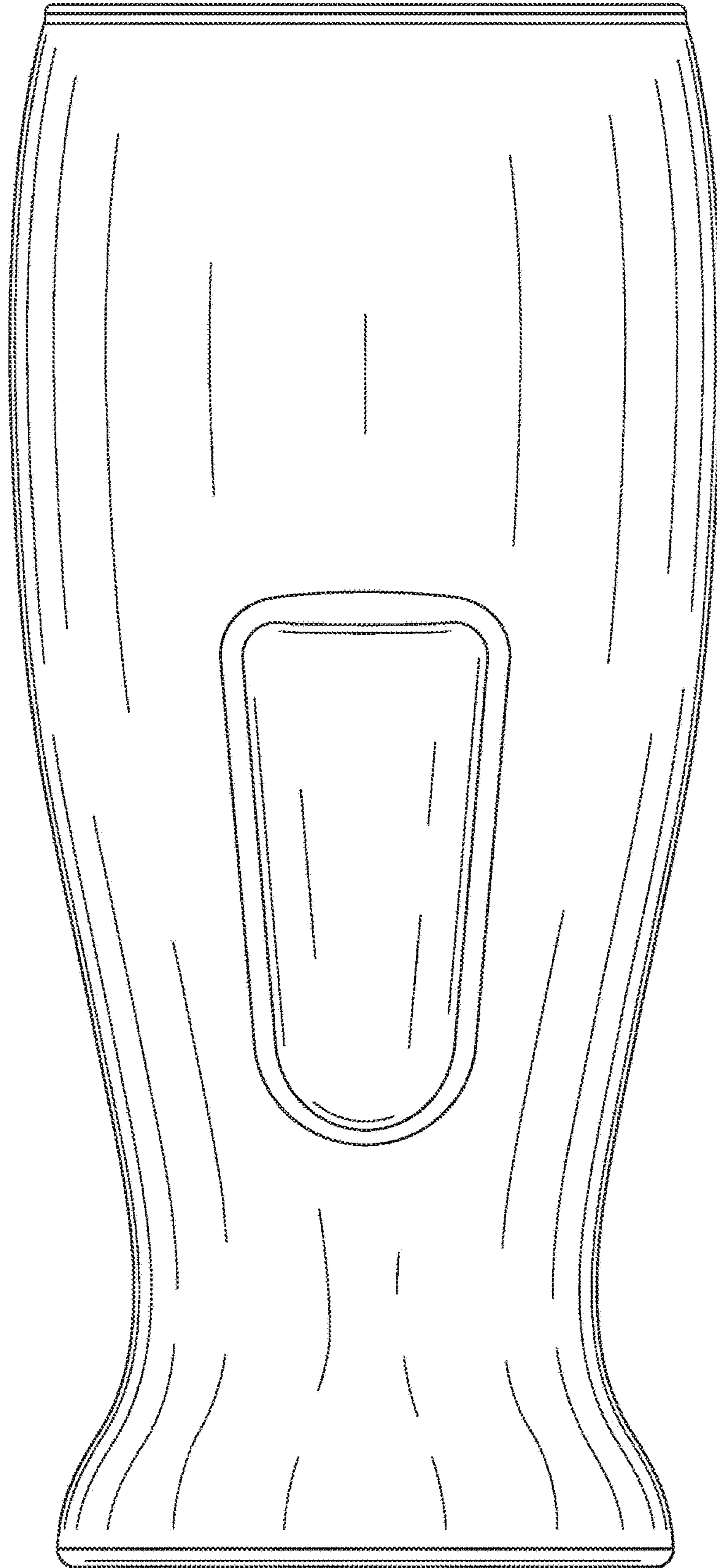


FIG. 6