



US00D847574S

(12) **United States Design Patent**  
**Boroski**

(10) **Patent No.:** **US D847,574 S**

(45) **Date of Patent:** **\*\* May 7, 2019**

(54) **BEVERAGE CONTAINER**

(71) Applicant: **THERMOS L.L.C.**, Schaumburg, IL (US)

(72) Inventor: **Dwayne Boroski**, Lake in the Hills, IL (US)

(73) Assignee: **Thermos L.L.C.**, Schaumburg, IL (US)

(\*\*) Term: **15 Years**

(21) Appl. No.: **29/623,147**

(22) Filed: **Oct. 23, 2017**

**Related U.S. Application Data**

(62) Division of application No. 29/587,502, filed on Dec. 13, 2016, now Pat. No. Des. 821,137.

(51) **LOC (11) Cl.** ..... **07-01**

(52) **U.S. Cl.**  
USPC ..... **D7/510; D7/532; D7/509**

(58) **Field of Classification Search**  
USPC ..... D7/507, 509, 510, 511, 523, 527, 529, D7/531, 532, 533, 534, 535, 536, 608, D7/300, 300.1, 300.2, 552.1, 319, 393, D7/394, 387, 391, 392.1, 396.2; D34/39; D9/503, 907, 531, 435, 436, 454, 449, D9/443; 220/592.16, 592.17, 495.03, 220/705-710

CPC ..... A47G 19/22; A47G 19/2205; A47G 19/2222; A45F 3/16; A45F 3/20; B67D 7/06; B67D 1/0004; B65D 25/14

See application file for complete search history.

(56) **References Cited**

**U.S. PATENT DOCUMENTS**

D219,898 S \* 2/1971 Buckley ..... D7/300.1  
D289,484 S \* 4/1987 Forquer ..... D7/532

D321,623 S \* 11/1991 Sun ..... D7/317  
D521,802 S \* 5/2006 Sands ..... D7/396.2  
D565,902 S \* 4/2008 Bodum ..... D7/500  
D683,575 S \* 6/2013 Devlin ..... D7/300.1  
D688,521 S \* 8/2013 Lees ..... D7/510  
D688,523 S \* 8/2013 Lees ..... D7/510  
D726,499 S \* 4/2015 Kim ..... D7/510  
D730,696 S \* 6/2015 Nemeth ..... D7/523  
D747,136 S \* 1/2016 Lane ..... D7/396.2  
D767,930 S \* 10/2016 Gamelli ..... D7/300.1  
D788,530 S \* 6/2017 Kestenbaum ..... D7/509  
D793,166 S \* 8/2017 Karussi ..... D7/510  
D812,976 S \* 3/2018 Schlesinger ..... D7/510  
D821,137 S \* 6/2018 Boroski ..... D7/392.1  
D827,381 S \* 9/2018 Boroski ..... D7/536  
2005/0045643 A1 \* 3/2005 Ghanem ..... A47G 19/2227  
220/592.17

\* cited by examiner

*Primary Examiner* — Marianne N Pandozzi

*Assistant Examiner* — Jae Liang

(74) *Attorney, Agent, or Firm* — Polsinelli PC

(57) **CLAIM**

The ornamental design for a beverage container, as shown and described.

**DESCRIPTION**

FIG. 1 is a perspective view of a beverage container showing my new design;

FIG. 2 is a front view of the beverage container;

FIG. 3 is a rear view of the beverage container;

FIG. 4 is a right side view of the beverage container;

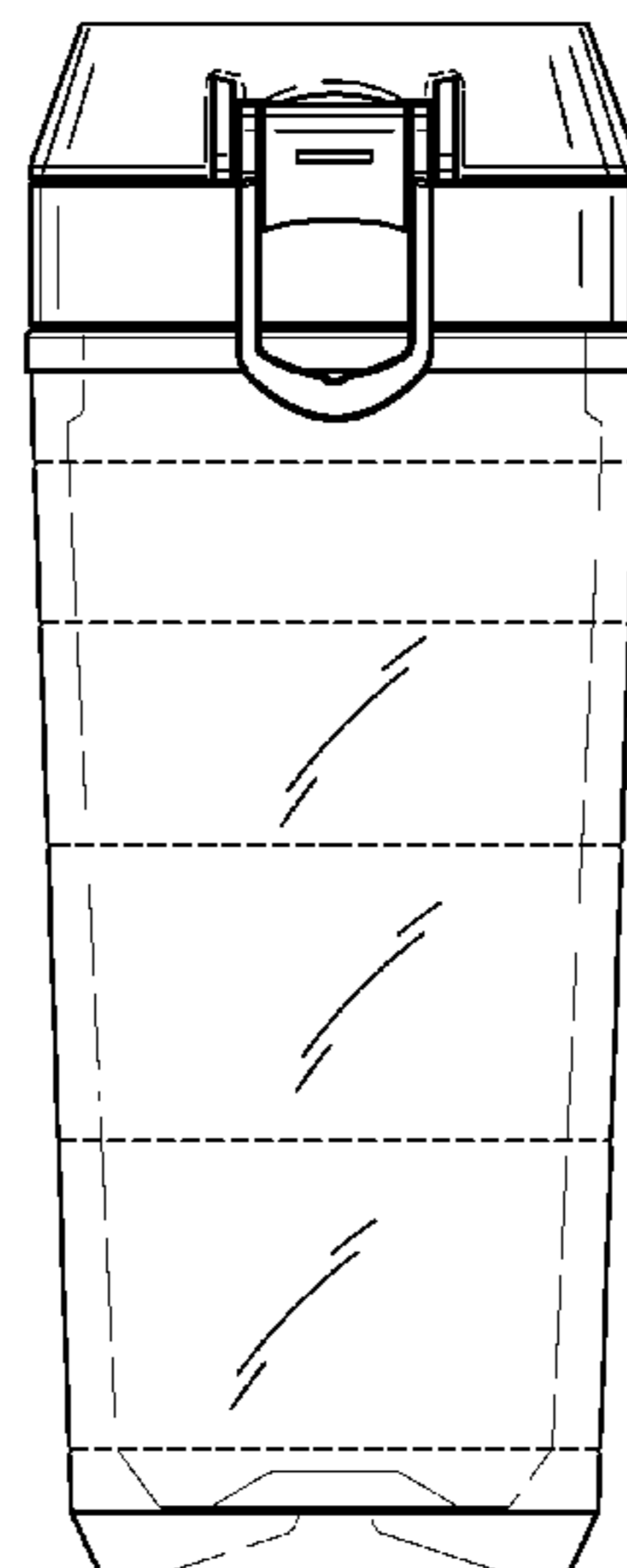
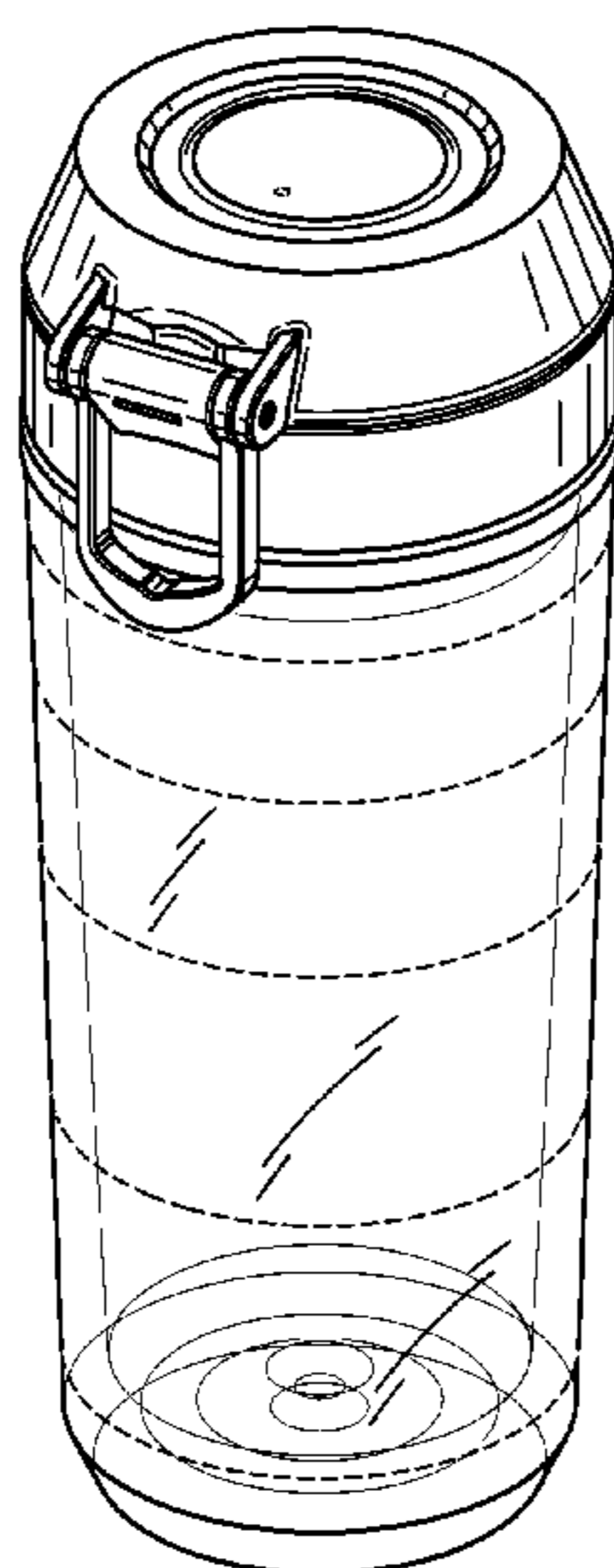
FIG. 5 is a left side view of the beverage container;

FIG. 6 is a top view of the beverage container; and,

FIG. 7 is a bottom view of the beverage container.

The broken lines showing in the figures are included for the purpose of illustrating portions of the beverage container that form no part of the claimed design.

**1 Claim, 4 Drawing Sheets**



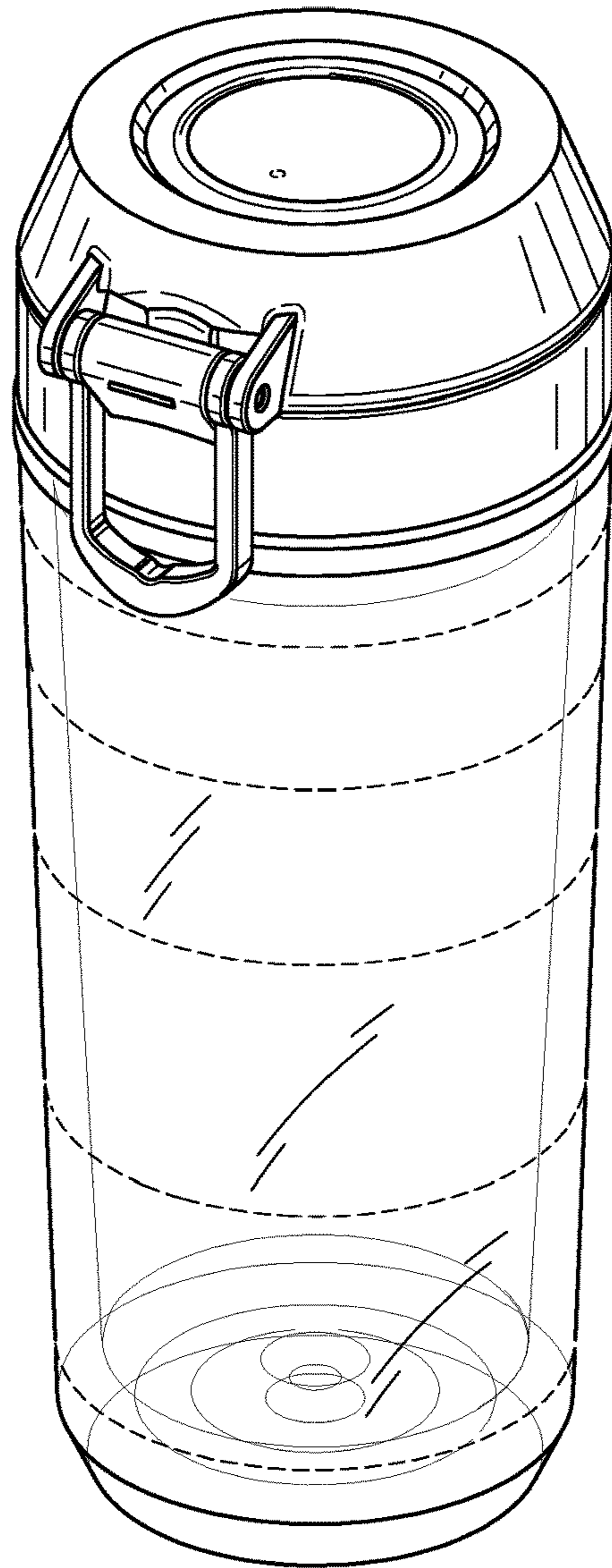


FIG. 1

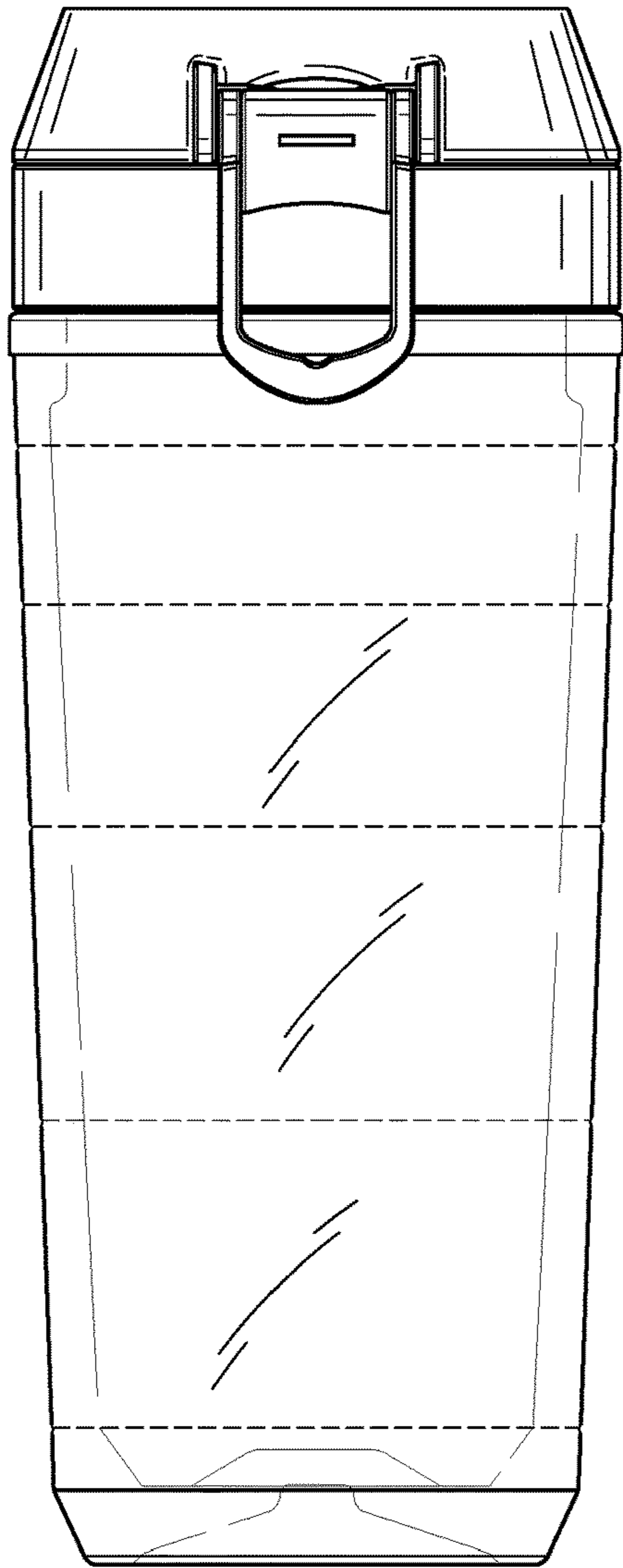


FIG. 2

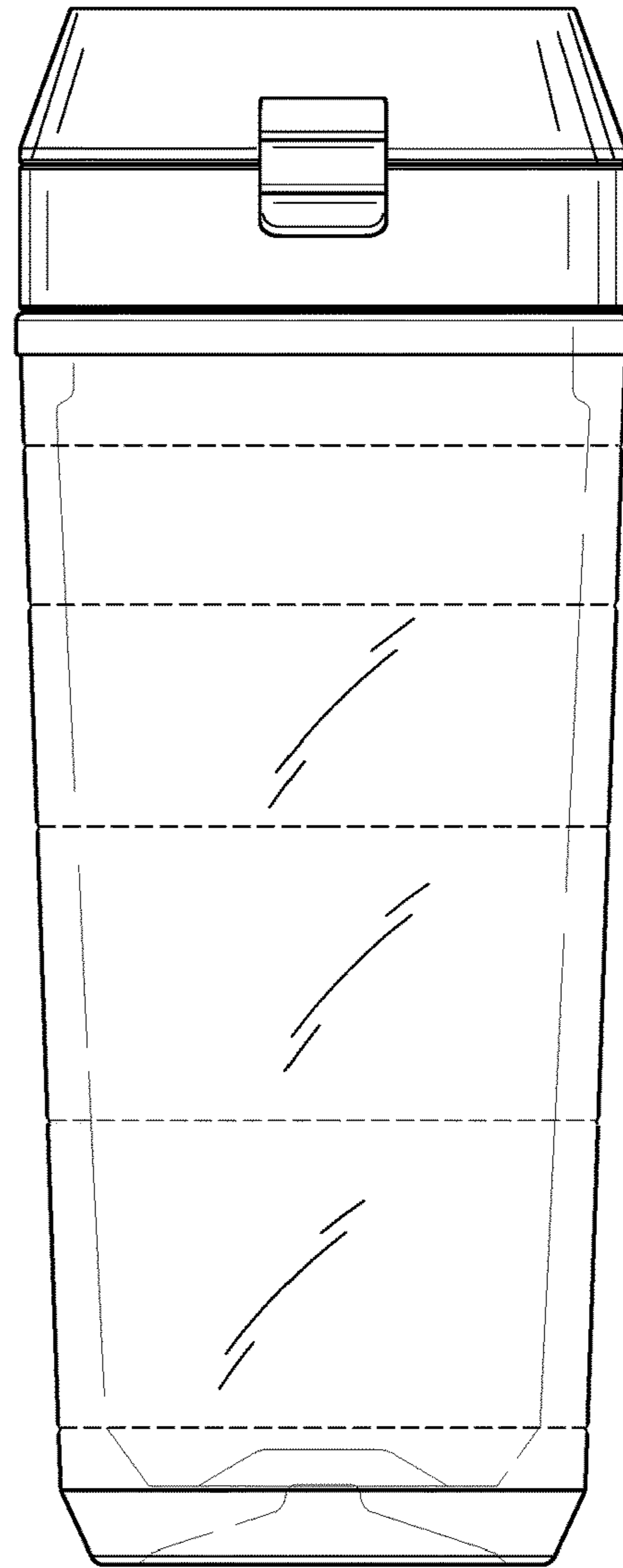


FIG. 3

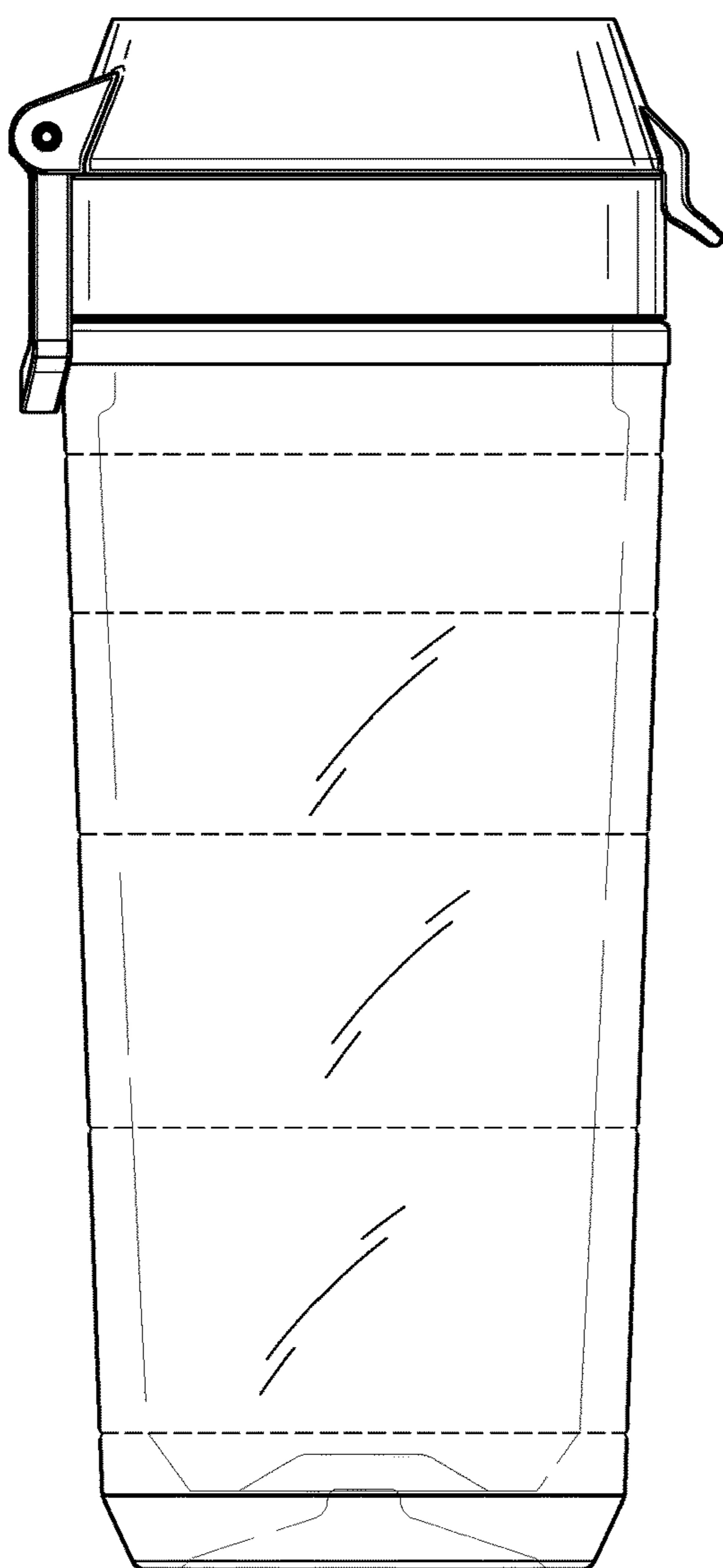


FIG. 4

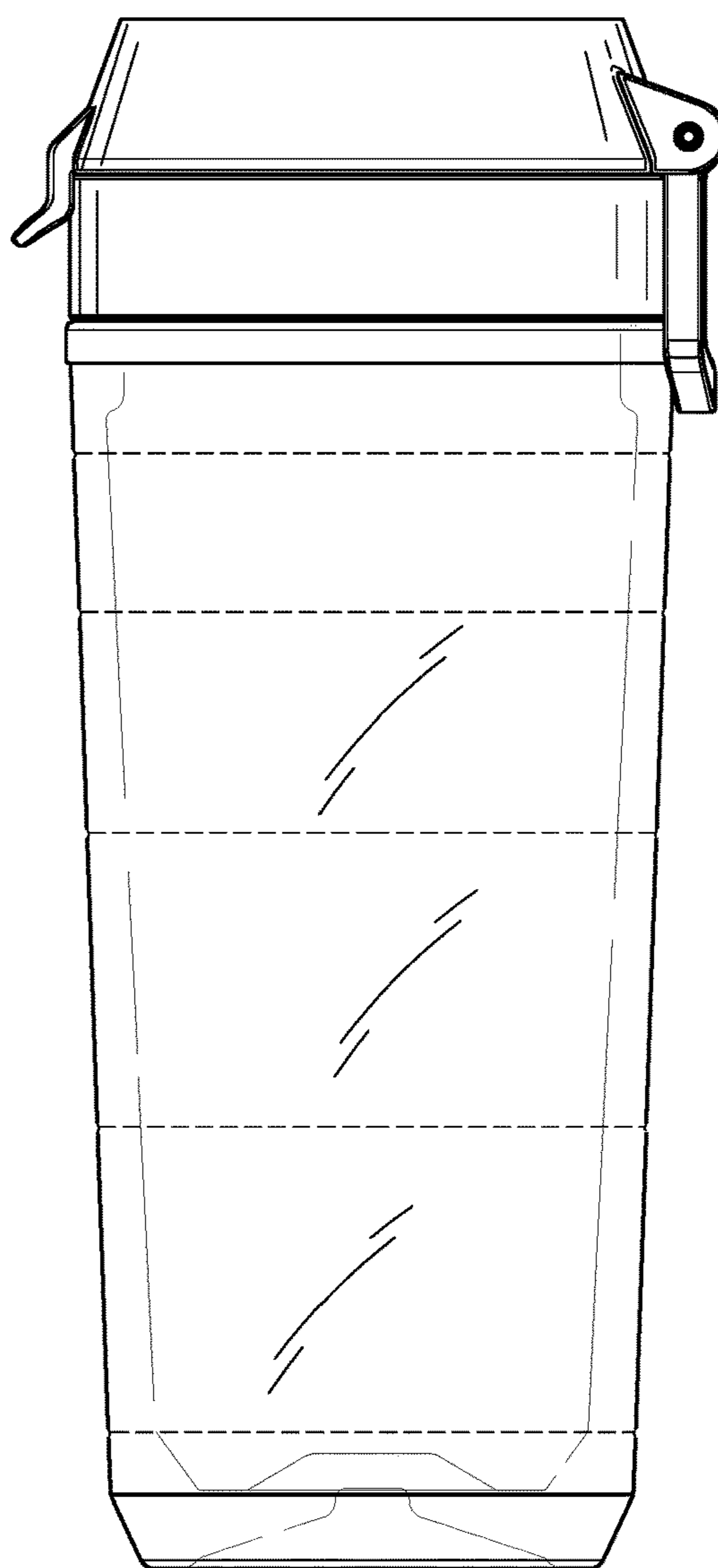


FIG. 5

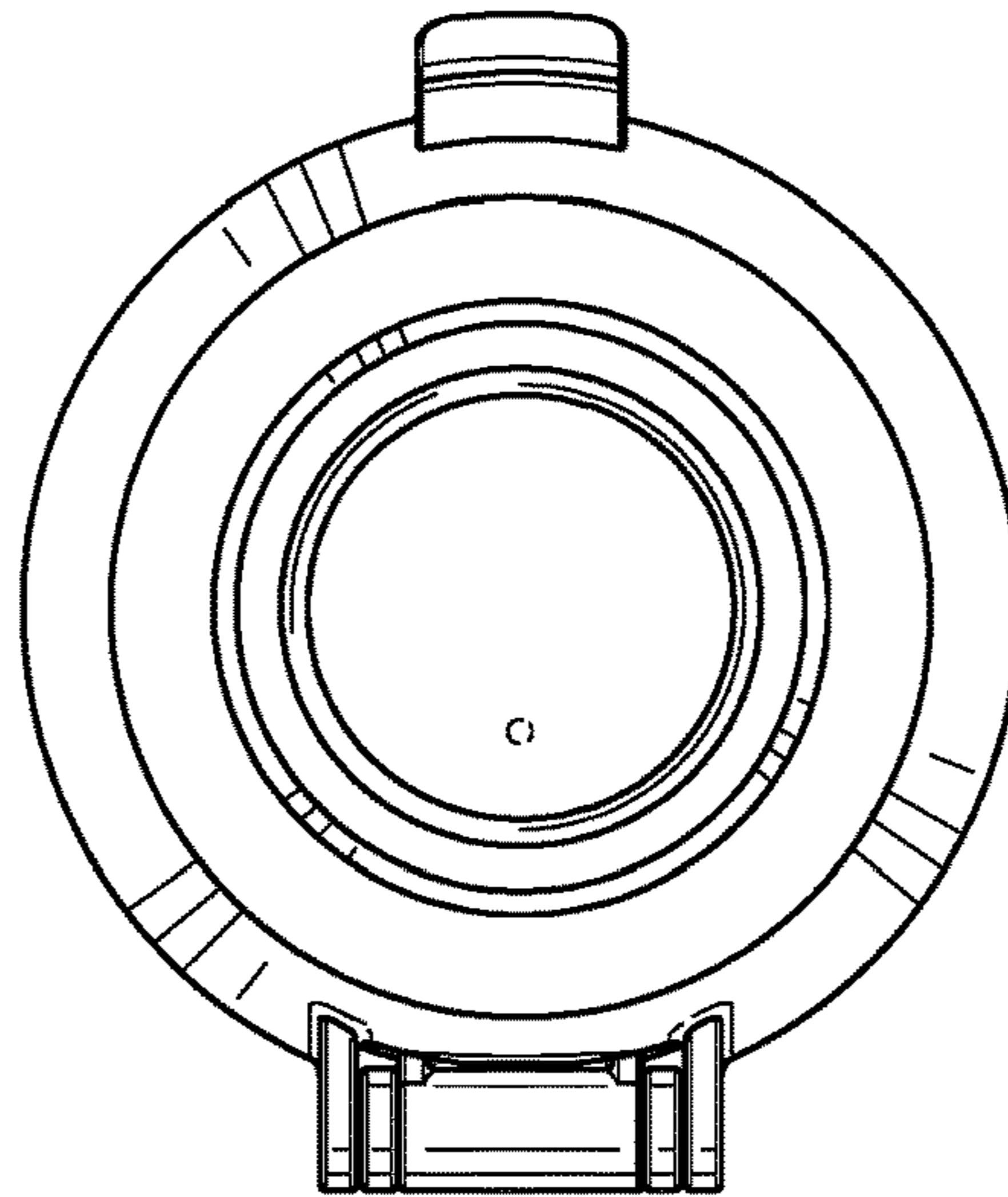


FIG. 6

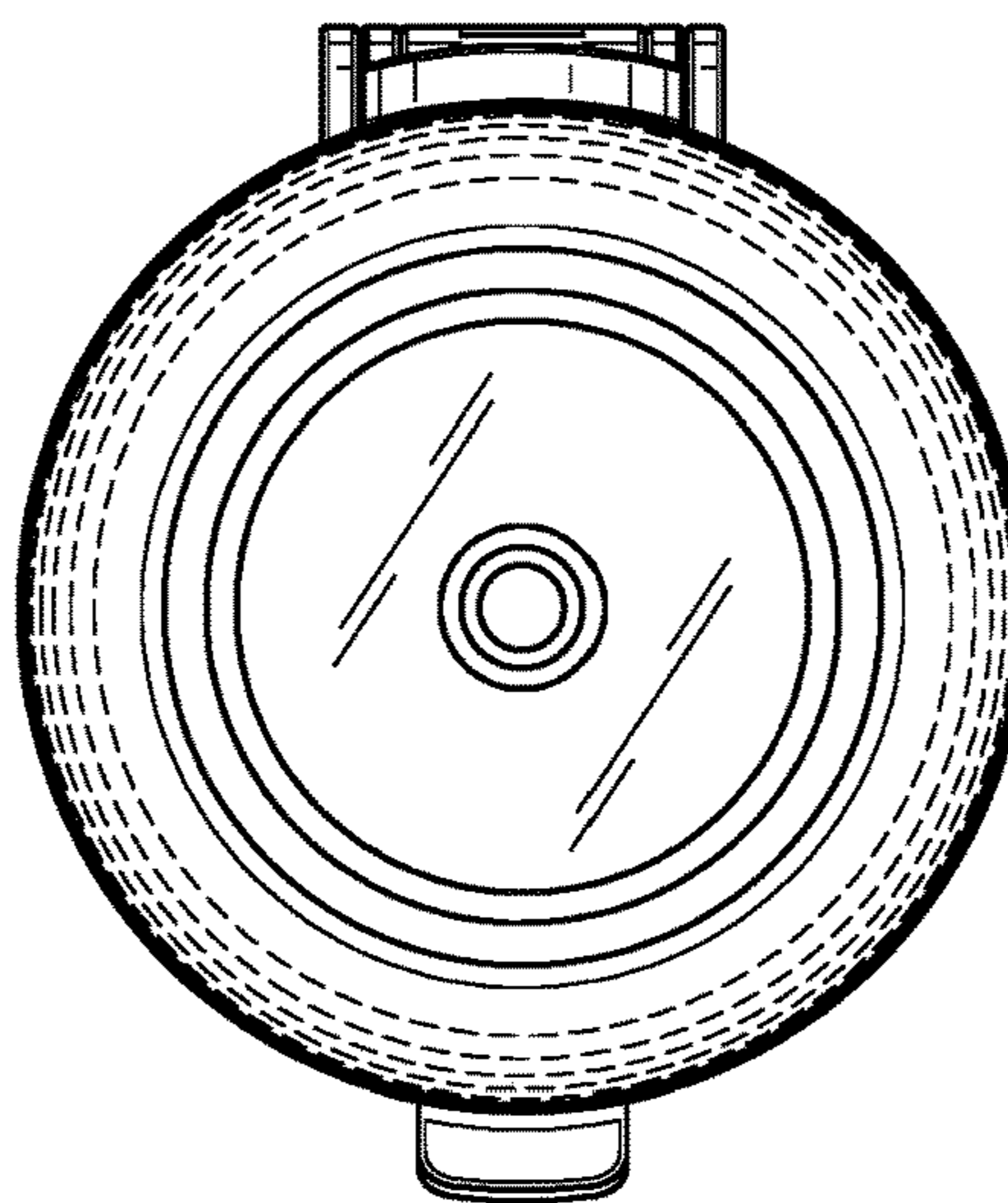


FIG. 7