



US00D847573S

(12) **United States Design Patent**  
**Xu**

(10) **Patent No.:** **US D847,573 S**

(45) **Date of Patent:** **\*\* May 7, 2019**

(54) **BOTTLE WITH FAN**

(71) Applicant: **ShenZhen TopSharp Precision Electronics Co., Ltd., Shenzhen (CN)**

(72) Inventor: **Wenlong Xu, Shenzhen (CN)**

(73) Assignee: **ShenZhen TopSharp Precision Electronics Co., Ltd., ShenZhen (CN)**

(\*\*) Term: **15 Years**

(21) Appl. No.: **29/634,204**

(22) Filed: **Jan. 19, 2018**

(30) **Foreign Application Priority Data**

Jul. 21, 2017 (CN) ..... 2017 3 03255473

(51) **LOC (11) Cl.** ..... **07-01**

(52) **U.S. Cl.**  
USPC ..... **D7/507; D7/511; D7/532; D23/328; D23/382**

(58) **Field of Classification Search**

USPC ..... D7/505, 507, 509, 510, 511, 523, 532, D7/608, 300.1, 213, 392.1, 396.2, 387, D7/396.6, 624.1, 624.2, 529, 396.4, 533, D7/536; D9/500, 501, 502, 503, 504, D9/505, 516, 530, 556, 569, 537, 549, D9/557, 546, 517; 220/529.16, 529.17; D24/197; 215/381; D23/207, 209, 328, D23/382, 314, 370; D14/212, 214, 216  
CPC ..... A47G 19/2205; A47G 19/2272; A47G 19/2266; A47J 43/27; A47J 41/02; A45F 3/16

See application file for complete search history.

(56) **References Cited**

**U.S. PATENT DOCUMENTS**

D349,954 S \* 8/1994 Steiner ..... 239/289  
D387,153 S \* 12/1997 Fok ..... D23/332

D387,422 S \* 12/1997 Radtke ..... D23/328  
D403,963 S \* 1/1999 Ramsey ..... D9/503  
D434,840 S \* 12/2000 Schaefer ..... D23/328  
D440,288 S \* 4/2001 Schaefer ..... D23/328  
D443,053 S \* 5/2001 Schaefer ..... D23/328  
D447,552 S \* 9/2001 Lee ..... D23/382  
D448,290 S \* 9/2001 Schultz ..... D9/416  
D457,613 S \* 5/2002 Schaefer ..... D23/328  
D464,420 S \* 10/2002 Tolar ..... D23/382  
D510,994 S \* 10/2005 Indio Da Costa ..... D23/382  
D553,227 S \* 10/2007 Chen ..... D23/314  
D564,084 S \* 3/2008 Chen ..... D23/382  
D588,411 S \* 3/2009 Watanabe ..... D7/507  
D674,476 S \* 1/2013 Junkel ..... D23/370  
D684,249 S \* 6/2013 Herbst ..... D23/370

(Continued)

*Primary Examiner* — Marianne N Pandozzi

*Assistant Examiner* — Jae Liang

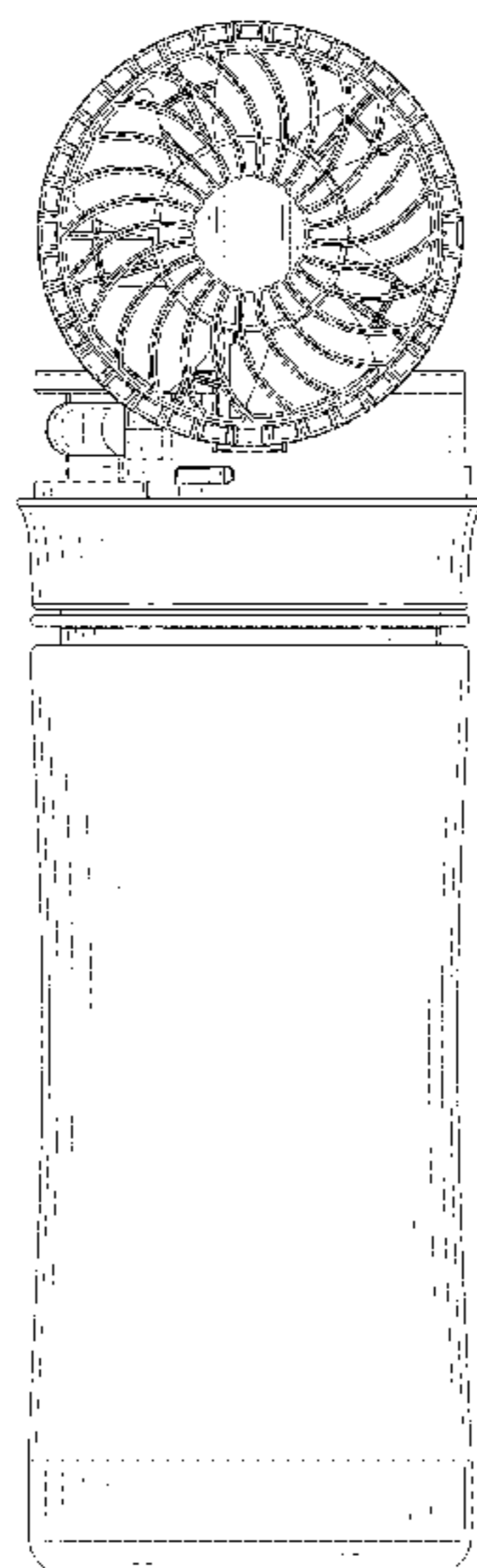
(57) **CLAIM**

The ornamental design for a bottle with fan, as shown and described.

**DESCRIPTION**

FIG. 1 is a perspective view of a bottle with fan showing my new design;  
FIG. 2 is a front elevational view thereof;  
FIG. 3 is a rear elevational view thereof;  
FIG. 4 is a left side elevational view thereof;  
FIG. 5 is a right side elevational view thereof;  
FIG. 6 is a top plan view thereof;  
FIG. 7 is a bottom plan view thereof;  
FIG. 8 is a perspective view thereof with the fan in an alternative position;  
FIG. 9 is an in use perspective view thereof with unclaimed lid and handle; and,  
FIG. 10 is an in use exploded view thereof with unclaimed lid and handle.  
The broken lines in the drawings depict portions of the bottle with fan that form no part of the claimed design.

**1 Claim, 10 Drawing Sheets**



(56)

**References Cited**

U.S. PATENT DOCUMENTS

D698,428	S *	1/2014	Sands	.....	D23/314
D721,431	S *	1/2015	Herbst	.....	D23/382
D752,201	S *	3/2016	Herbst	.....	D23/370
D760,370	S *	6/2016	Herbst	.....	D23/370
D761,624	S *	7/2016	McLean	.....	D7/507
D798,110	S *	9/2017	Valenti	.....	D7/507
D799,022	S *	10/2017	Ksiazek	.....	D23/411
D801,060	S *	10/2017	Hollinger	.....	D6/309
D807,487	S *	1/2018	Delerue	.....	D23/382
D824,012	S *	7/2018	Xu	.....	D23/382
10,023,366	B2 *	7/2018	Gilbert	.....	A47G 19/2272
D825,048	S *	8/2018	Breit	.....	D23/382
2011/0303562	A1 *	12/2011	Franklin	.....	A45C 11/005 206/223
2016/0356279	A1 *	12/2016	Xu	.....	F04D 25/084

\* cited by examiner

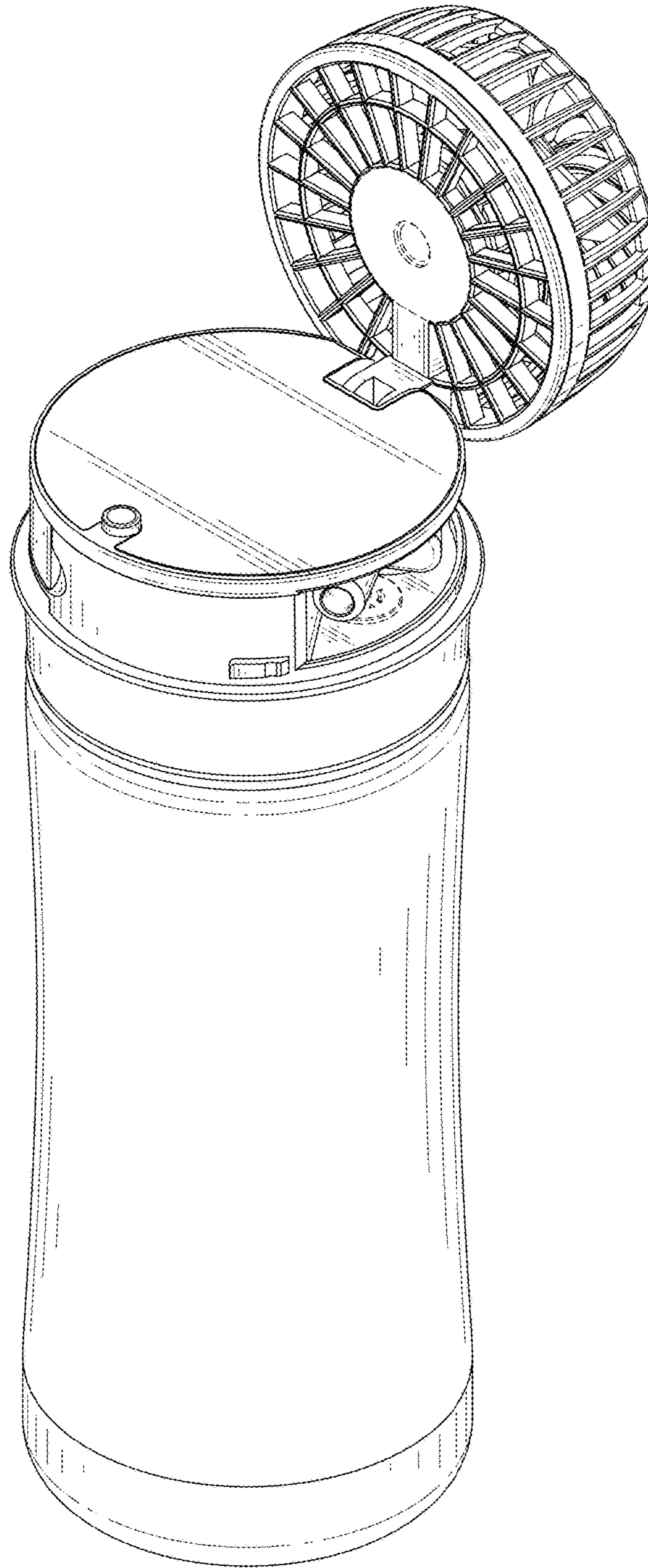


FIG. 1

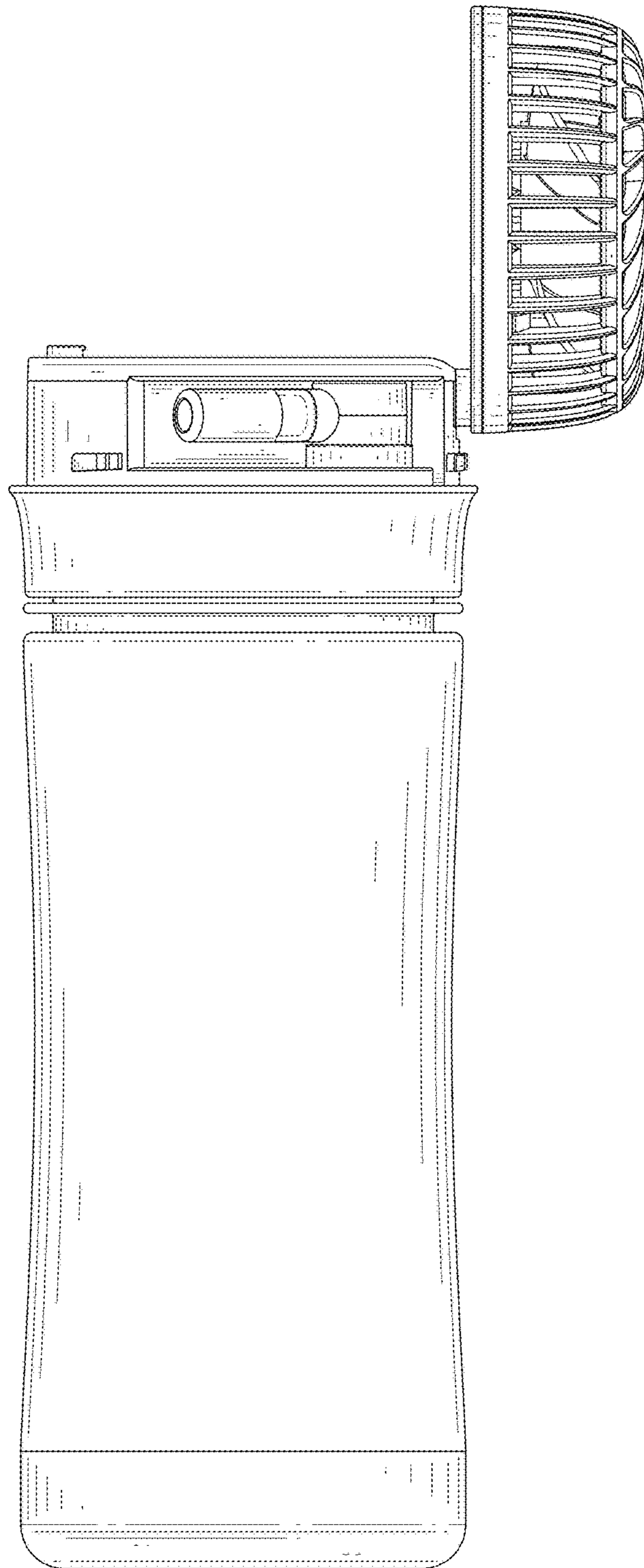


FIG. 2

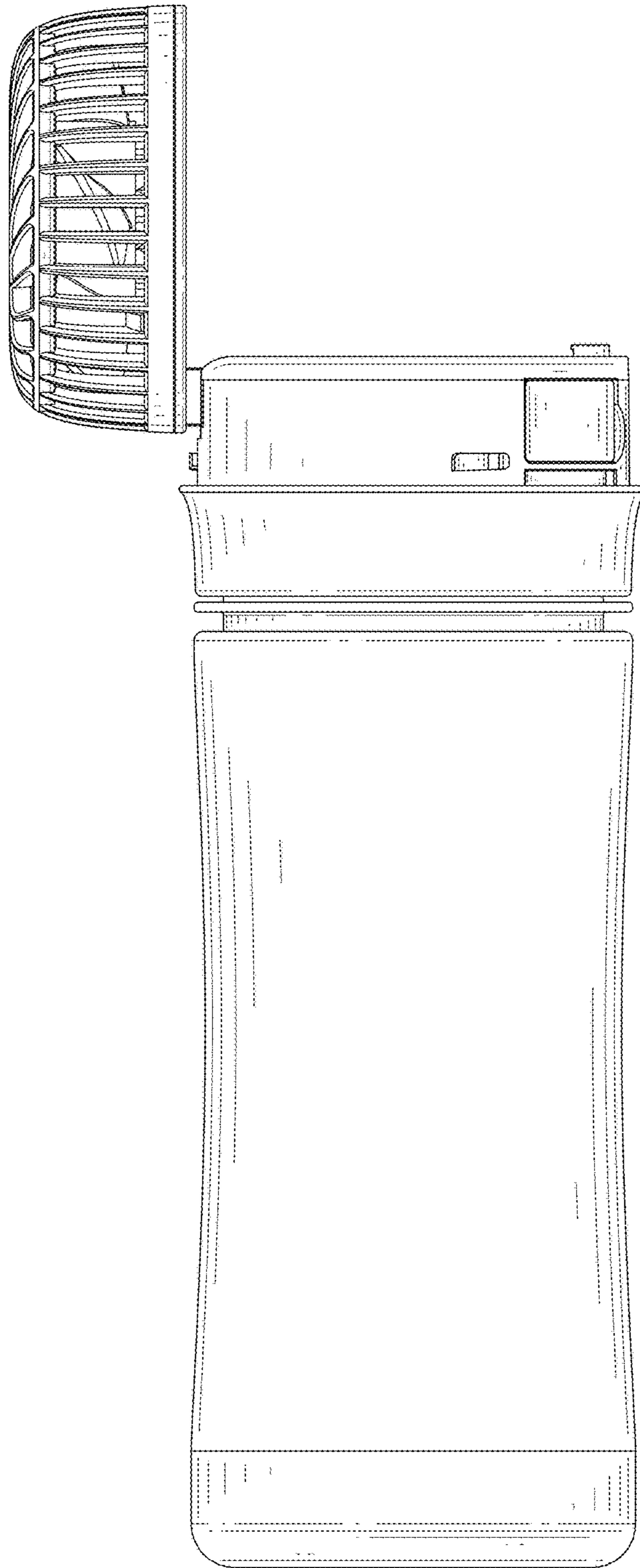


FIG. 3

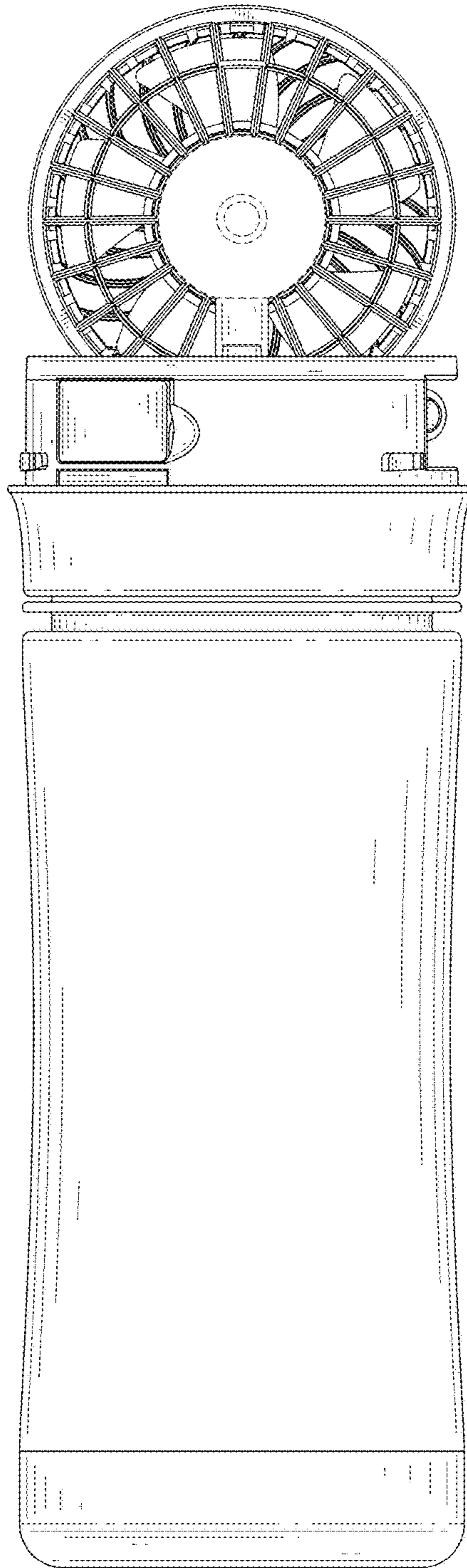


FIG. 4

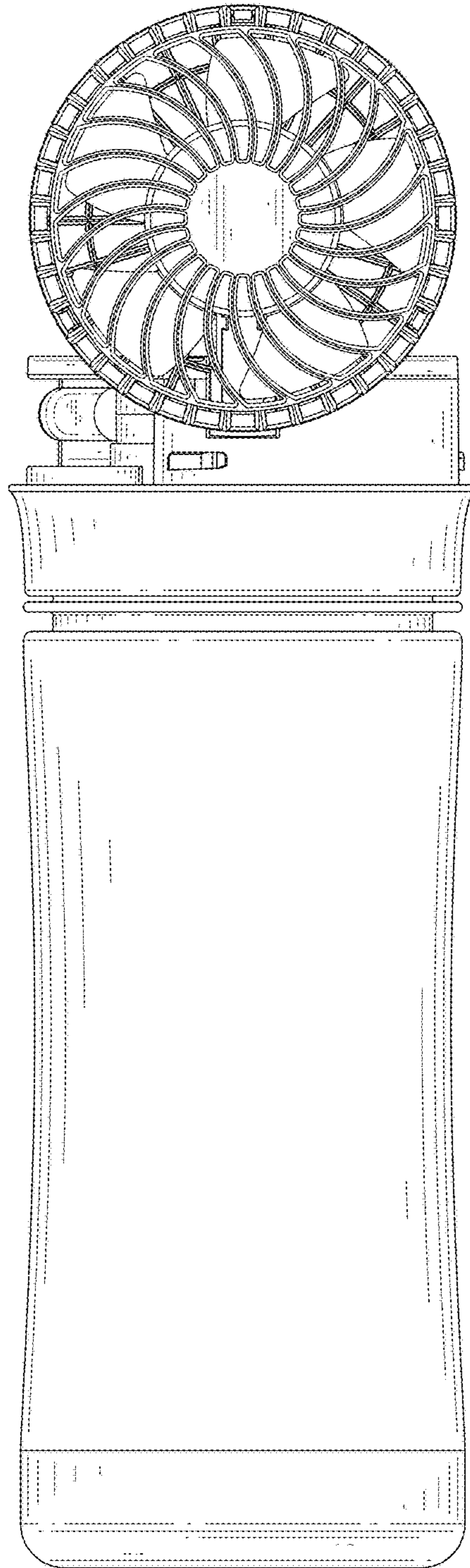


FIG. 5

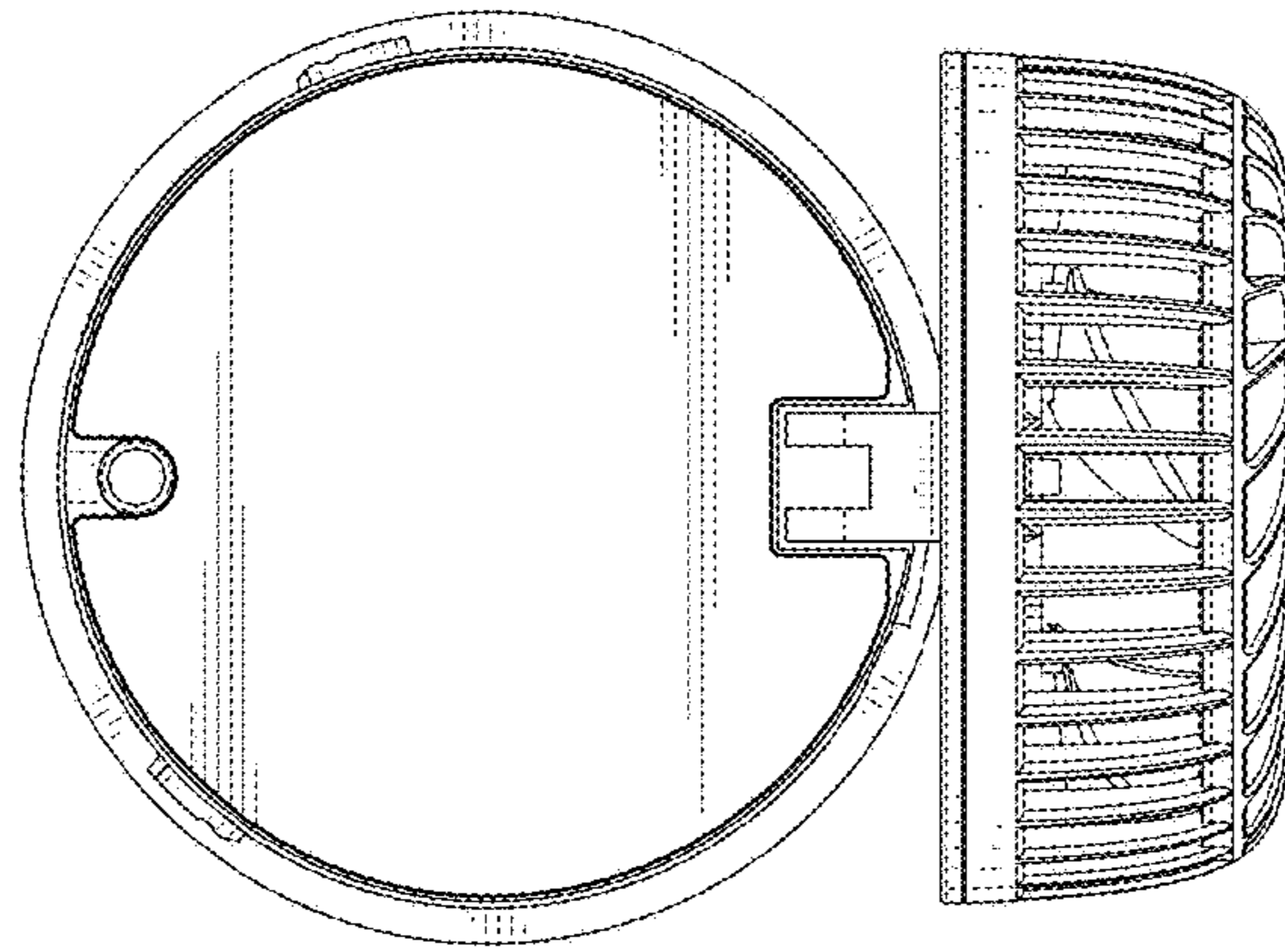


FIG. 6



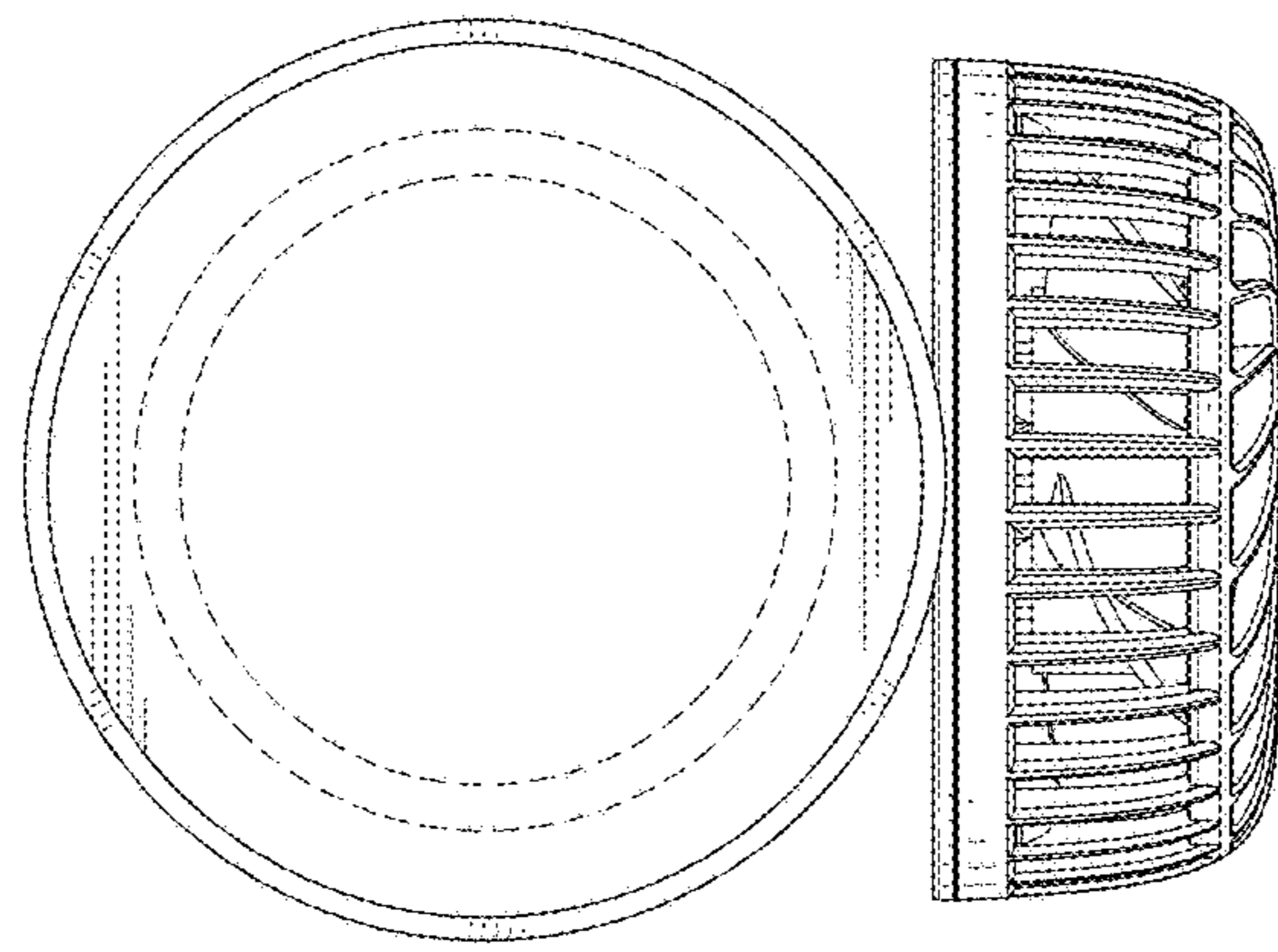


FIG. 7

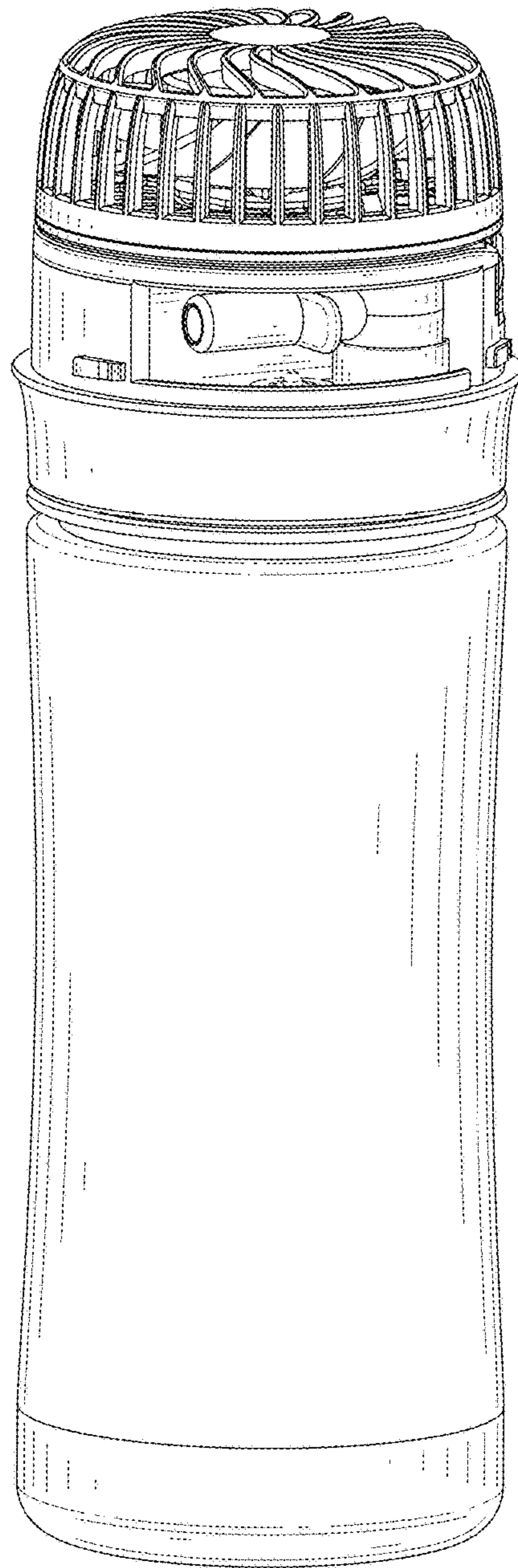


FIG. 8

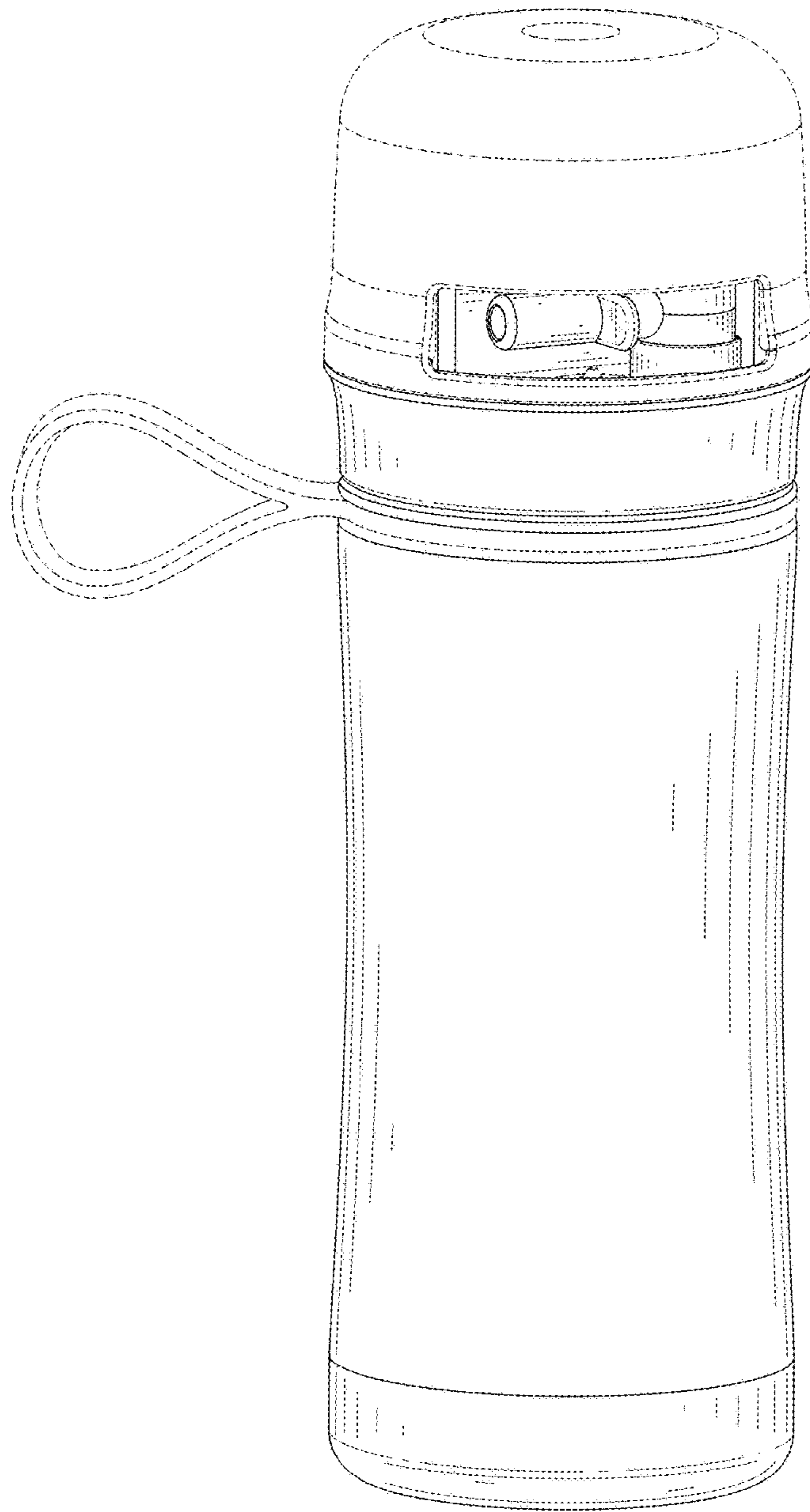


FIG. 9

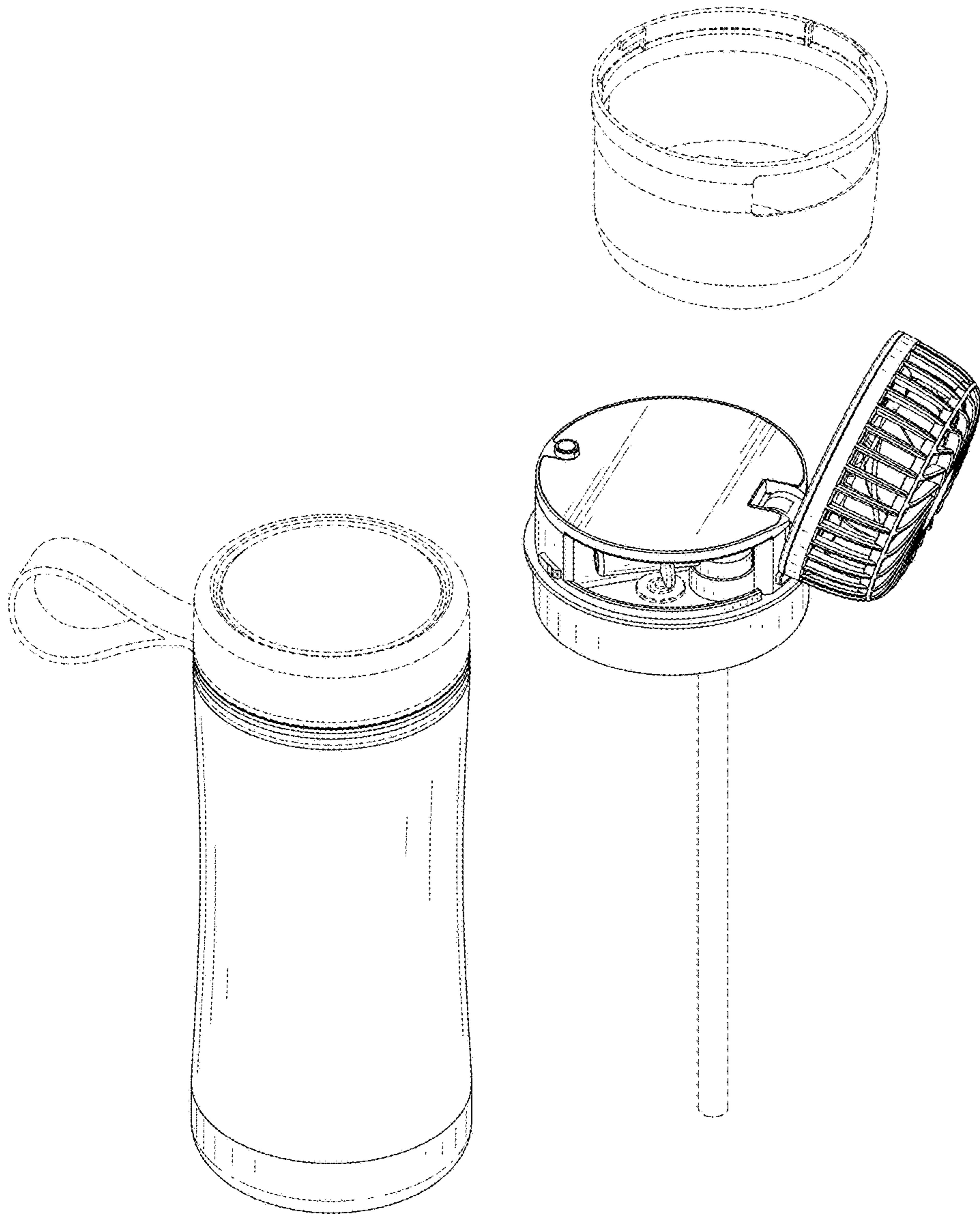


FIG. 10