



US00D847572S

(12) **United States Design Patent** (10) **Patent No.:** **US D847,572 S**  
**Ou** (45) **Date of Patent:** **\*\* May 7, 2019**

(54) **CONTAINER WITH FIXED BALL**  
(71) Applicant: **Pacific Vial Mfg., Inc.**, Commerce, CA (US)  
(72) Inventor: **Suk Hwan Ou**, Commerce, CA (US)  
(73) Assignee: **PACIFIC VIAL MFG. INC.**, Commerce, CA (US)  
(\*\*) Term: **15 Years**

D506,640 S \* 6/2005 Marck ..... D7/509  
D566,882 S \* 4/2008 Min ..... D26/90  
D631,702 S \* 2/2011 Flick ..... D7/509  
D634,581 S \* 3/2011 Burroughs ..... D7/507  
8,277,543 B2 10/2012 Zauderer  
D671,365 S \* 11/2012 Gold ..... D7/509  
8,360,589 B2 \* 1/2013 Friedson ..... F21K 2/06  
362/101  
D695,577 S \* 12/2013 Bourbeau ..... D7/672  
D701,729 S \* 4/2014 Kehoe ..... D7/509  
D703,489 S \* 4/2014 Thomas ..... D7/523  
D723,766 S \* 3/2015 Kamakura ..... D1/127

(Continued)

(21) Appl. No.: **29/608,443**  
(22) Filed: **Jun. 21, 2017**  
(51) **LOC (11) Cl.** ..... **07-01**  
(52) **U.S. Cl.**  
USPC ..... **D7/507**; D7/672; D7/523; D7/396.2  
(58) **Field of Classification Search**  
USPC ..... D7/505, 507, 509, 510, 511, 523, 530,  
D7/531, 532, 300.1, 512, 513, 396.1,  
D7/396.2, 552.2, 553.6, 584, 672, 554.3,  
D7/557, 560, 562, 635; 220/592.16,  
220/592.17; D9/453, 570, 557, 556, 569;  
D10/46.2  
CPC ..... A47G 19/22; A47G 19/2205; A47G  
19/2266; A47G 19/2227; B65D 1/265;  
B65D 3/06; A45F 3/20  
See application file for complete search history.

**FOREIGN PATENT DOCUMENTS**

GB 2383122 A 6/2003

**OTHER PUBLICATIONS**

Final Office Action in U.S. Appl. No. 15/421,362 dated Oct. 27, 2017.

(Continued)

*Primary Examiner* — Marianne N Pandozzi  
*Assistant Examiner* — Jae Liang  
(74) *Attorney, Agent, or Firm* — Womble Bond Dickinson (US) LLP

(57) **CLAIM**

The ornamental design for a container with fixed ball, as shown and described.

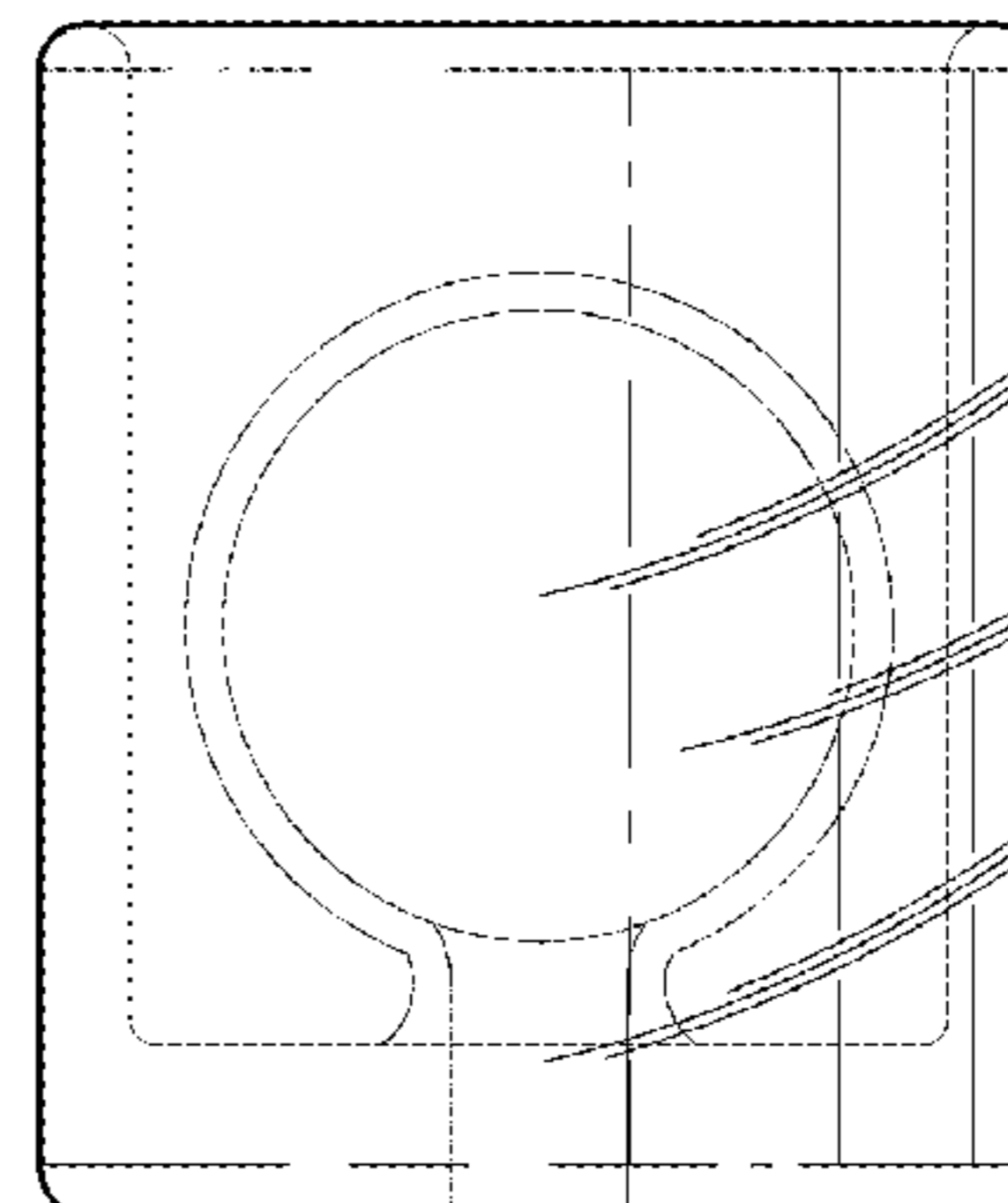
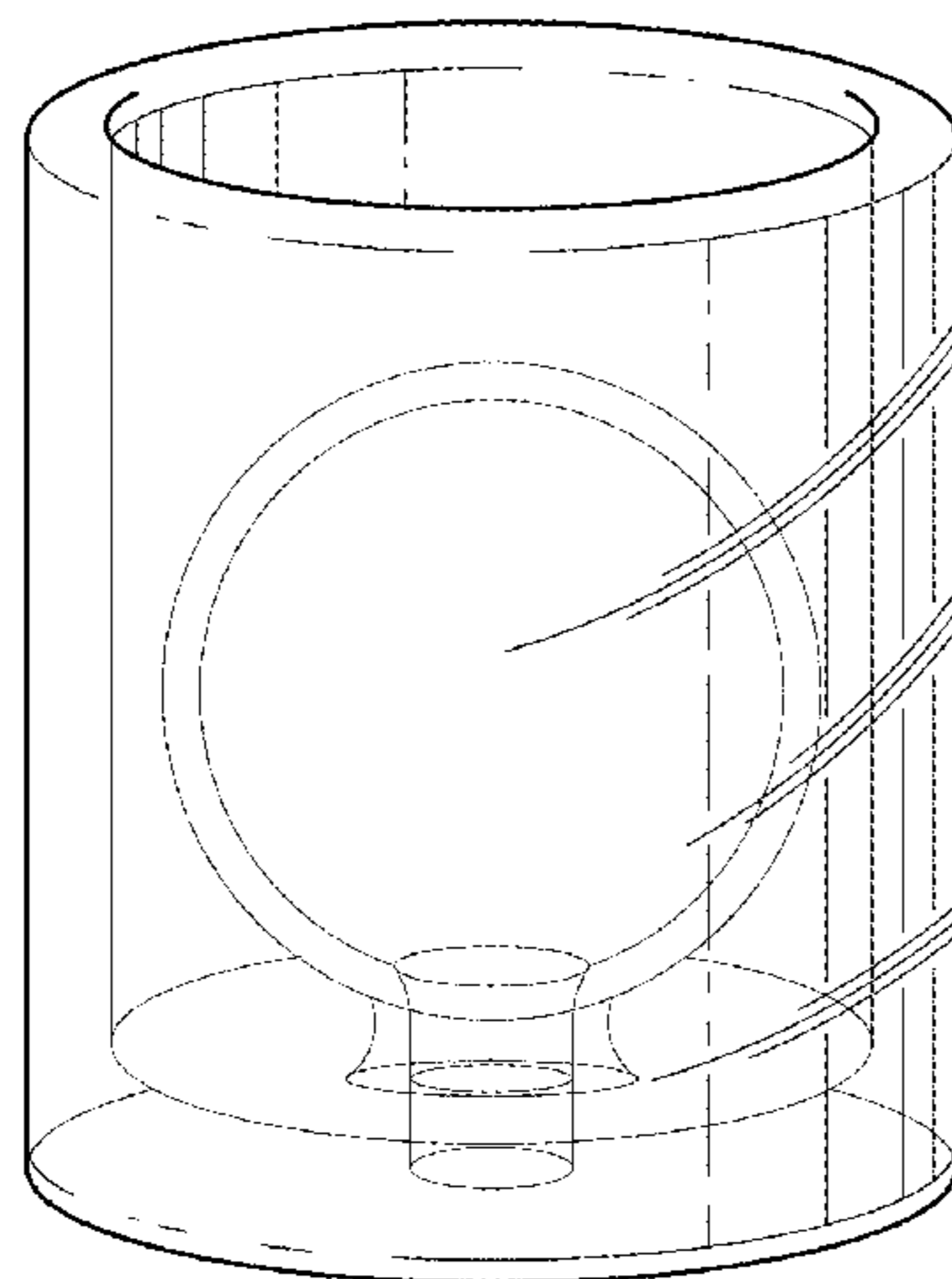
**DESCRIPTION**

FIG. 1 is a front perspective view of a container with fixed ball showing my new design;  
FIG. 2 is a top plan view thereof;  
FIG. 3 is a side elevational view thereof;  
FIG. 4 is a bottom plan view thereof; and,  
FIG. 5 is a cross sectional view showing a section taken along line 5-5 of FIG. 2.

**1 Claim, 3 Drawing Sheets**

(56) **References Cited**  
U.S. PATENT DOCUMENTS

2,187,558 A 1/1940 Kushima  
D209,307 S \* 11/1967 Schilling ..... D7/523  
5,148,688 A 9/1992 Pimm et al.  
D363,854 S \* 11/1995 Katz ..... D10/46.2  
5,644,298 A \* 7/1997 Brooks ..... A47G 23/16  
206/534  
5,774,918 A \* 7/1998 Cassell ..... A21C 9/00  
7/111  
D400,398 S \* 11/1998 McNaughton ..... D7/513  
D491,019 S \* 6/2004 Marsden ..... D7/509



(56)

**References Cited**

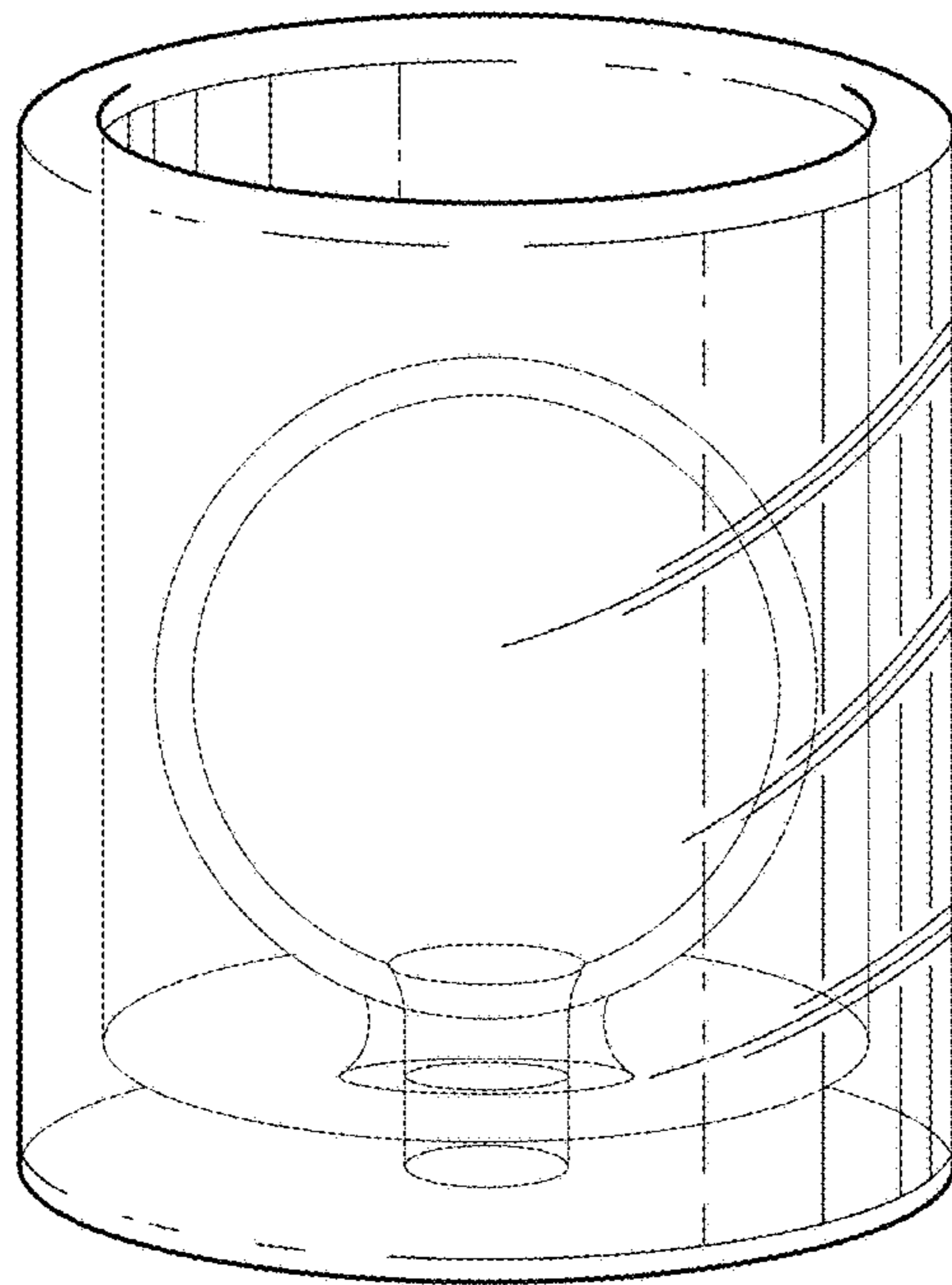
U.S. PATENT DOCUMENTS

D731,264 S \* 6/2015 Frank ..... D7/672  
9,272,444 B2 \* 3/2016 Zorovich ..... B29C 33/0038  
D771,303 S \* 11/2016 Ross ..... D26/118  
D781,932 S \* 3/2017 Yoshikawa ..... D15/80  
D800,503 S \* 10/2017 Notheis ..... D7/523  
D803,639 S \* 11/2017 Stank ..... D7/672  
D828,120 S \* 9/2018 Byeon ..... D7/672  
2002/0080604 A1 \* 6/2002 Niermann ..... F21S 6/00  
362/173  
2012/0257395 A1 \* 10/2012 Cotzias ..... F21V 1/00  
362/351  
2014/0000139 A1 \* 1/2014 Wieland ..... A47G 1/0616  
40/715  
2015/0021458 A1 \* 1/2015 Zorovich ..... B29C 33/0038  
249/134  
2015/0089964 A1 4/2015 Chung

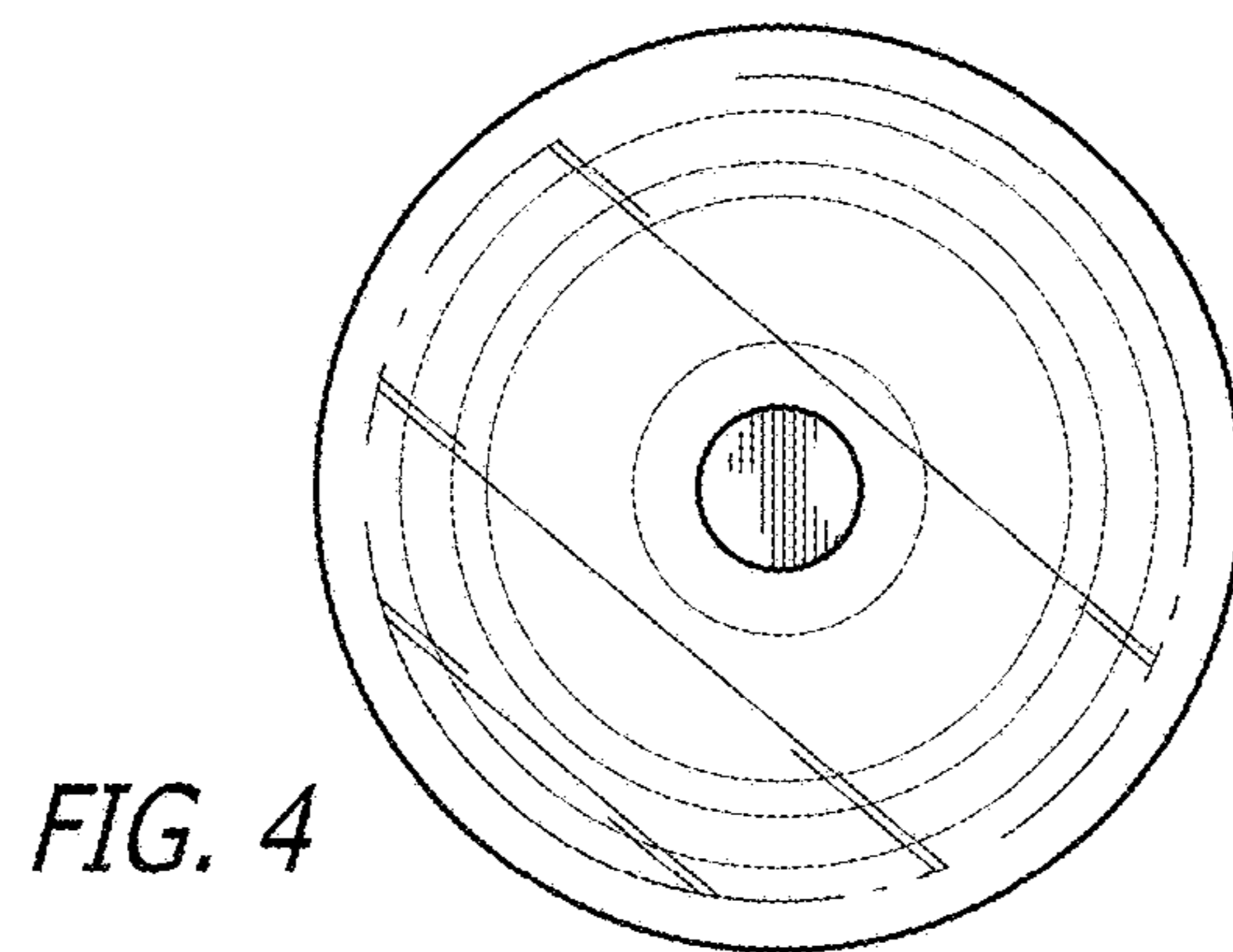
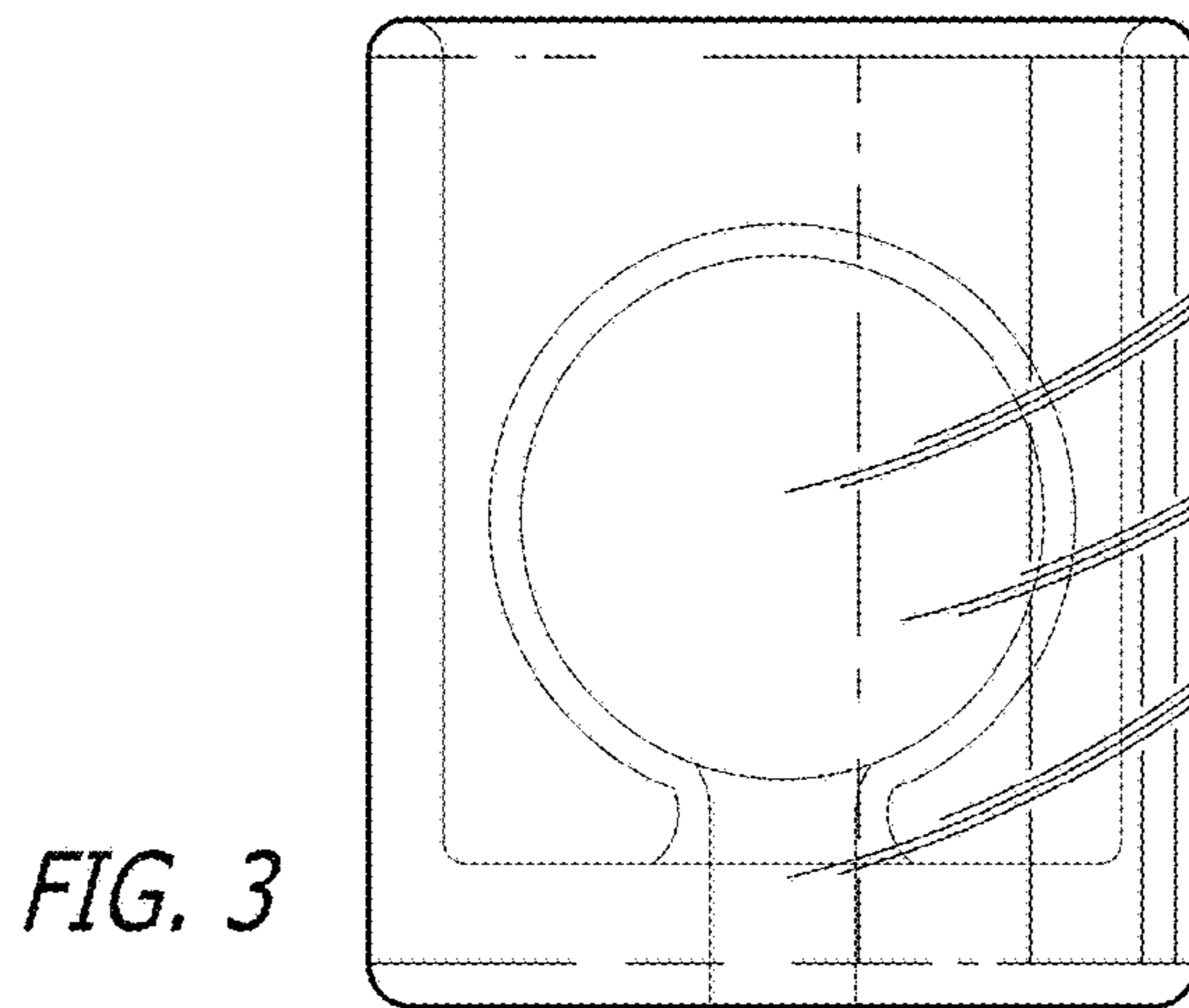
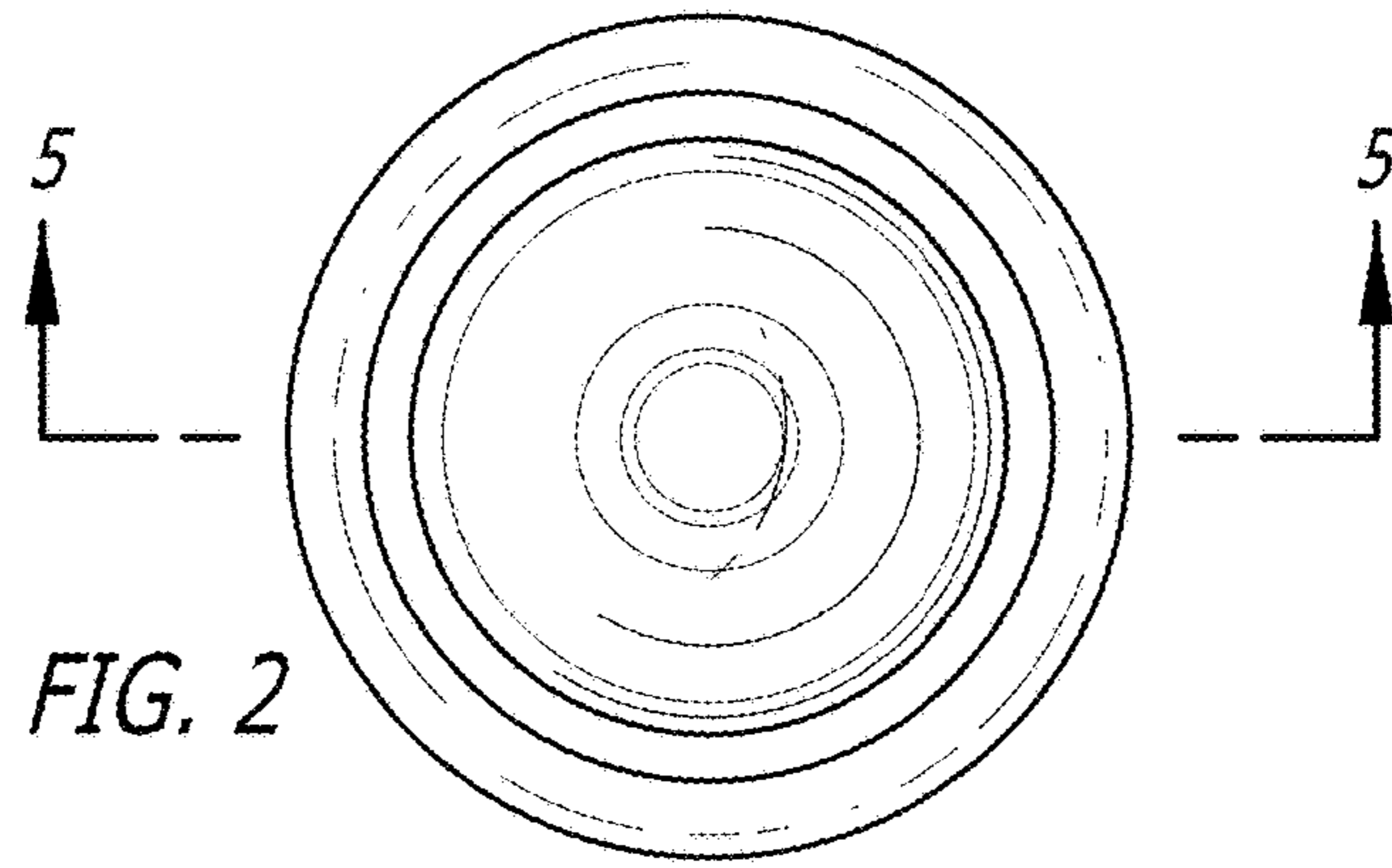
OTHER PUBLICATIONS

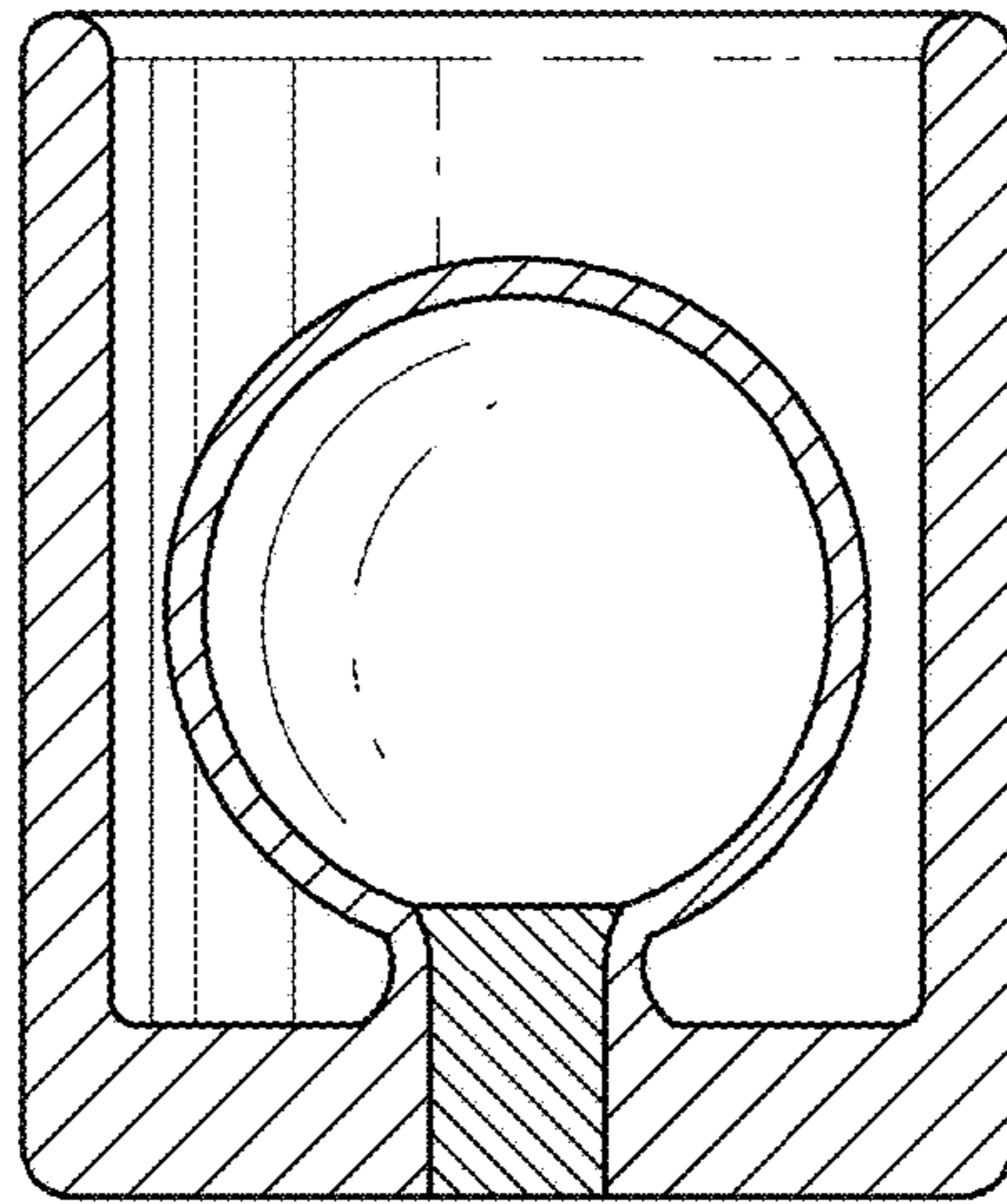
How Stuff Works. "How to repair China, Porcelain, and Glass." Sep. 12, 2016. <http://home.howstuffworks.com>, retrieved Oct. 23, 2017.  
Office Action in U.S. Appl. No. 15/421,362 dated Aug. 3, 2017.

\* cited by examiner



*FIG. 1*





*FIG. 5*