

US00D847571S

(12) **United States Design Patent**
Berresheim

(10) **Patent No.:** **US D847,571 S**

(45) **Date of Patent:** **** May 7, 2019**

(54) **BEVERAGE CONTAINER**

(71) Applicant: **Global Advantage Trading and Imports, LLC**, St. Louis, MO (US)

(72) Inventor: **Kenneth J. Berresheim**, Grantwood Village, MO (US)

(73) Assignee: **Global Advantage Trading and Imports, LLC**, St. Louis, MO (US)

(**) Term: **15 Years**

(21) Appl. No.: **29/596,977**

(22) Filed: **Mar. 13, 2017**

(51) **LOC (11) Cl.** **07-01**

(52) **U.S. Cl.**
USPC **D7/507; D7/523; D7/532; D8/33; D8/34**

(58) **Field of Classification Search**

USPC **D7/509, 510, 511, 523, 532, 534, 536, D7/300.1, 533, 394, 395, 531, 608, 529,**
(Continued)

(56) **References Cited**

U.S. PATENT DOCUMENTS

3,246,786 A * 4/1966 Holley A47G 19/2205
215/393
3,606,262 A * 9/1971 Van'Hoff B65D 1/265
229/400

(Continued)

OTHER PUBLICATIONS

[https://www.customink.com/products/categories/bottle-openers/398/
styles.*](https://www.customink.com/products/categories/bottle-openers/398/styles.*)

(Continued)

Primary Examiner — Marianne N Pandozzi

Assistant Examiner — Jae Liang

(74) *Attorney, Agent, or Firm* — Lewis Rice LLC

(57) **CLAIM**

The ornamental design for a beverage container, as shown and described.

DESCRIPTION

FIG. 1 is a side view of a beverage container showing my new design;

FIG. 2 provides a top view thereof.

FIG. 3 provides a bottom perspective view thereof.

FIG. 4 provides a bottom view thereof.

FIG. 5 provides a bottom perspective view of a second embodiment of FIG. 1, the only difference being the configuration of the opener, it being understood that all other surfaces are the same as those of the first embodiment.

FIG. 6 provides a bottom view of the second embodiment of FIG. 5.

FIG. 7 provides a bottom perspective view of a third embodiment of FIG. 1, the only difference being the configuration of the opener, it being understood that all other surfaces are the same as those of the first embodiment.

FIG. 8 provides a bottom view of the third embodiment of FIG. 7.

FIG. 9 provides a bottom perspective view of a fourth embodiment of FIG. 1, the only difference being the configuration of the opener, it being understood that all other surfaces are the same as those of the first embodiment.

FIG. 10 provides a bottom view of the fourth embodiment of FIG. 9.

FIG. 11 provides a bottom perspective view of a fifth embodiment of FIG. 1, the only difference being the configuration of the opener, it being understood that all other surfaces are the same as those of the first embodiment.

FIG. 12 provides a bottom view of the fifth embodiment of FIG. 11.

FIG. 13 provides a bottom perspective view of a sixth embodiment of FIG. 1, the only difference being the configuration of the opener, it being understood that all other surfaces are the same as those of the first embodiment.

FIG. 14 provides a bottom view of the sixth embodiment of FIG. 13.

(Continued)

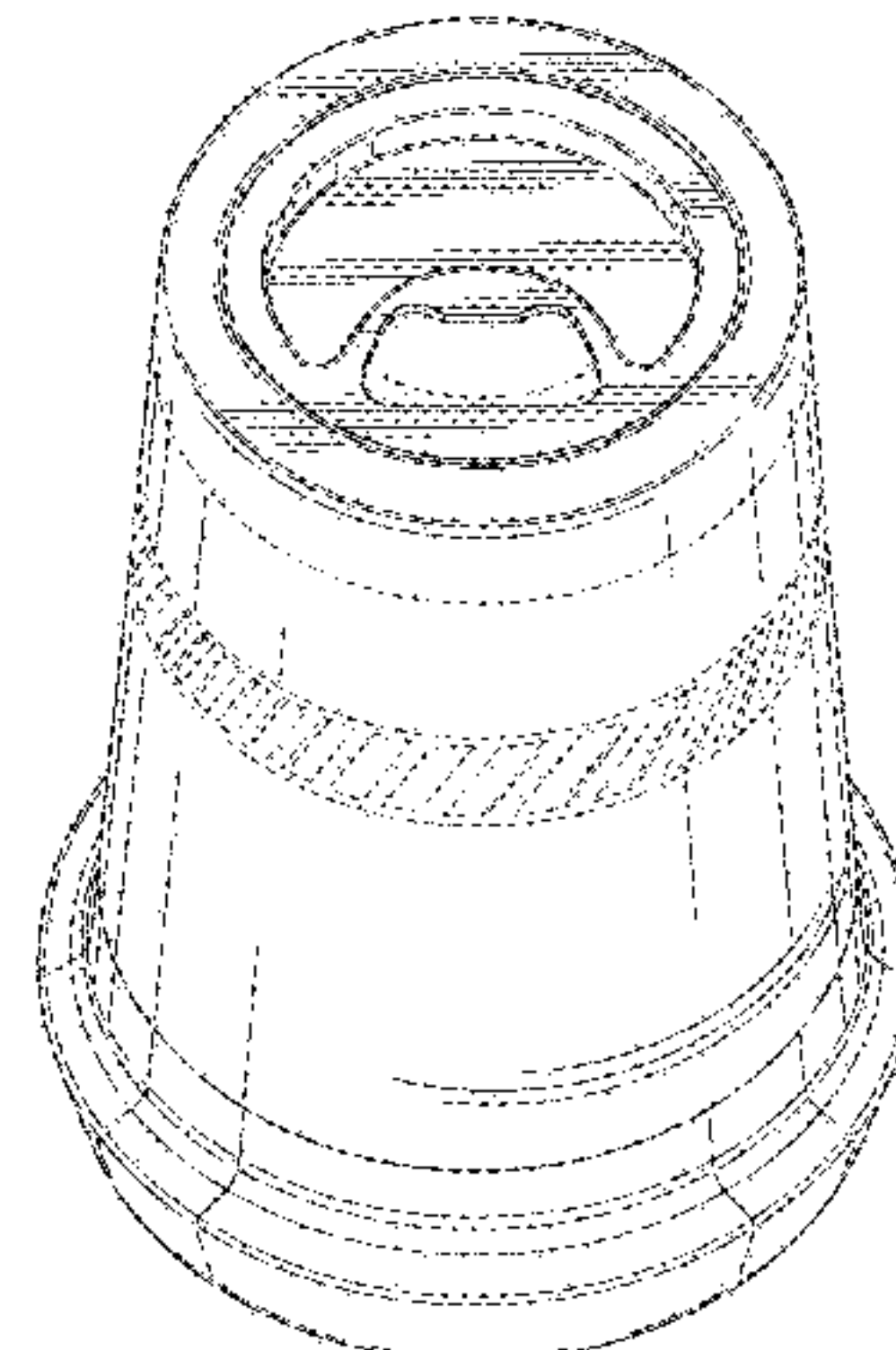
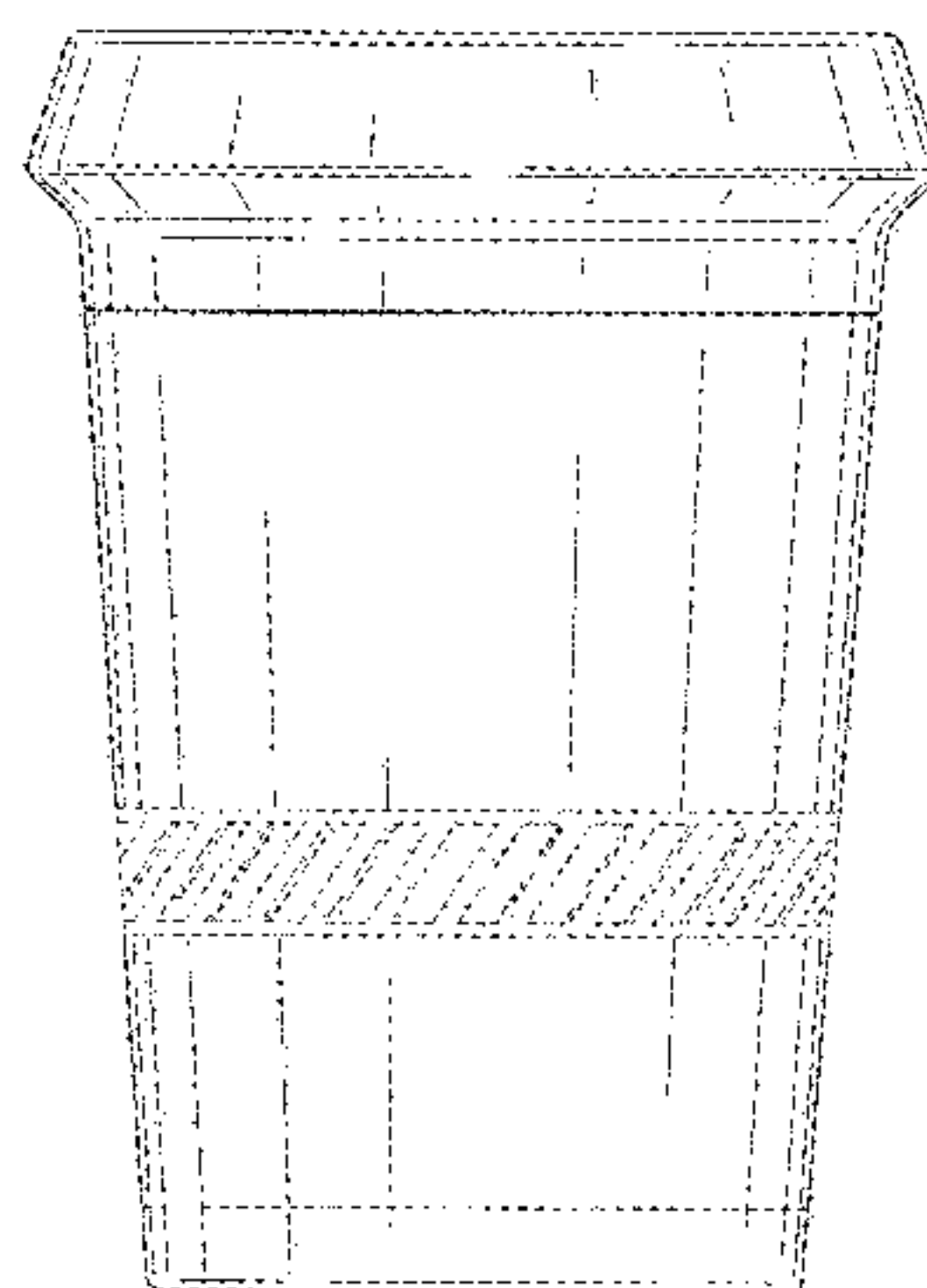


FIG. 15 provides a bottom perspective view of a seventh embodiment of FIG. 1, the only difference being the configuration of the opener, it being understood that all other surfaces are the same as those of the first embodiment.

FIG. 16 provides a bottom view of the seventh embodiment of FIG. 15.

FIG. 17 provides a bottom perspective view of an eighth embodiment of FIG. 1, the only difference being the configuration of the opener, it being understood that all, other surfaces are the same as those of the first embodiment.

FIG. 18 provides a bottom view of the eighth embodiment of FIG. 17.

FIG. 19 provides a bottom perspective view of a ninth embodiment of FIG. 1, the only difference being the configuration of the opener, it being understood that all other surfaces are the same as those of the first embodiment.

FIG. 20 provides a bottom view of the ninth embodiment of FIG. 19.

FIG. 21 provides a bottom perspective view of a tenth embodiment of FIG. 1, the only difference being the configuration of the opener, it being understood that all other surfaces are the same as those of the first embodiment.

FIG. 22 provides a bottom view of the tenth embodiment of FIG. 21.

FIG. 23 provides a bottom perspective view of an eleventh embodiment of FIG. 1, the only difference being the configuration of the opener, it being understood that all other surfaces are the same as those of the first embodiment; and, FIG. 24 provides a bottom view of the eleventh embodiment of FIG. 23.

The broken lines in the drawings depict portions of the beverage container that form no part of the claimed design.

1 Claim, 24 Drawing Sheets

(58) Field of Classification Search

USPC D7/507, 530; D24/197; 220/592.16, 220/592.17, 704, 705, 706, 707; D9/435, D9/447, 572, 573; D8/33, 34
CPC A47G 19/22; A47G 19/2205; A47G 19/2211; A47G 19/2266; A47G 19/2288; B65D 47/066; B65D 43/02; B65D 43/04; A47J 43/27; A47J 41/02

See application file for complete search history.

(56) References Cited

U.S. PATENT DOCUMENTS

D223,703 S * 5/1972 Cheladze D7/523
D223,704 S * 5/1972 Cheladze D7/509

D281,572 S * 12/1985 Gabriel D8/40
D283,677 S * 5/1986 Fortuna D7/511
D367,413 S * 2/1996 Ballin D10/46.2
D373,290 S * 9/1996 Ballin 81/3.09
D391,134 S * 2/1998 Laib D8/33
D438,298 S * 2/2001 McNutt D23/366
D462,000 S * 8/2002 Hightower D8/40
D469,020 S * 1/2003 Mannion D9/549
D506,910 S * 7/2005 Tham-itthisak D7/509
D528,660 S * 9/2006 Lornage D24/197
D559,629 S * 1/2008 Gifford, Jr. D7/608
D568,127 S * 5/2008 Oas D8/34
7,404,345 B1 * 7/2008 Dipprey B67B 7/16
81/3.09
D590,662 S * 4/2009 Cheng D7/509
D623,476 S * 9/2010 Carlson D7/510
D653,512 S * 2/2012 Frazier D8/40
D655,983 S * 3/2012 Cozzolino D7/510
D658,443 S * 5/2012 Chiu D7/507
D672,236 S * 12/2012 Zomorodi D9/435
D673,040 S * 12/2012 Stephan D9/436
D679,971 S * 4/2013 Weyer D3/210
D688,746 S * 8/2013 Hung D19/86
D698,496 S * 1/2014 Smith D28/76
D699,571 S * 2/2014 Zomorodi D9/435
D718,627 S * 12/2014 Rasgon D9/436
D721,924 S * 2/2015 Trafton D7/507
D733,496 S * 7/2015 Pisarevsky D7/507
D744,279 S * 12/2015 Arciero D7/510
D769,719 S * 10/2016 Lebon D9/500
D774,827 S * 12/2016 Miller D7/507
D789,247 S * 6/2017 Burton D11/221
D790,277 S * 6/2017 Mackesy, II D7/507
D813,606 S * 3/2018 O’Nan D7/532
D814,705 S * 4/2018 Norris D28/82
D814,895 S * 4/2018 Malaspino D8/40
D816,162 S * 4/2018 Fassi D19/85
D830,799 S * 10/2018 Najera D8/18
2009/0050641 A1 * 2/2009 Ivey B65D 43/0222
220/713
2009/0236409 A1 * 9/2009 Flores B65D 3/00
229/404
2009/0255941 A1 * 10/2009 Kuntz B65D 23/0885
220/592.17
2017/0251852 A1 * 9/2017 O’Nan A47G 19/2205

OTHER PUBLICATIONS

www.walmart.com IPOW Stainless Steel Cork Screw Wing Cork-screw Multifunction Wine Cap Opener.*
<https://www.discountmugs.com/product/x20165-credit-card-shaped-bottle-openers/>.*
https://www.amazon.com/Millenium-Falcon-Metal-Bottle-Opener/dp/B00XYEJV54/ref=asc_df_B00XYEJV54/?tag=hyprod-20&linkCode=df0&hvadid=198094063648&hvpos=1o2&hvnetw=g&hvrnd=7249959309631880289&hvpone=&hvptwo=&hvqmt=&hvdev=c&hvdvcmdl=&hvlocint=&hvlocphy=9008192&hvtargid=pla-318015568222&pssc=1.*

* cited by examiner

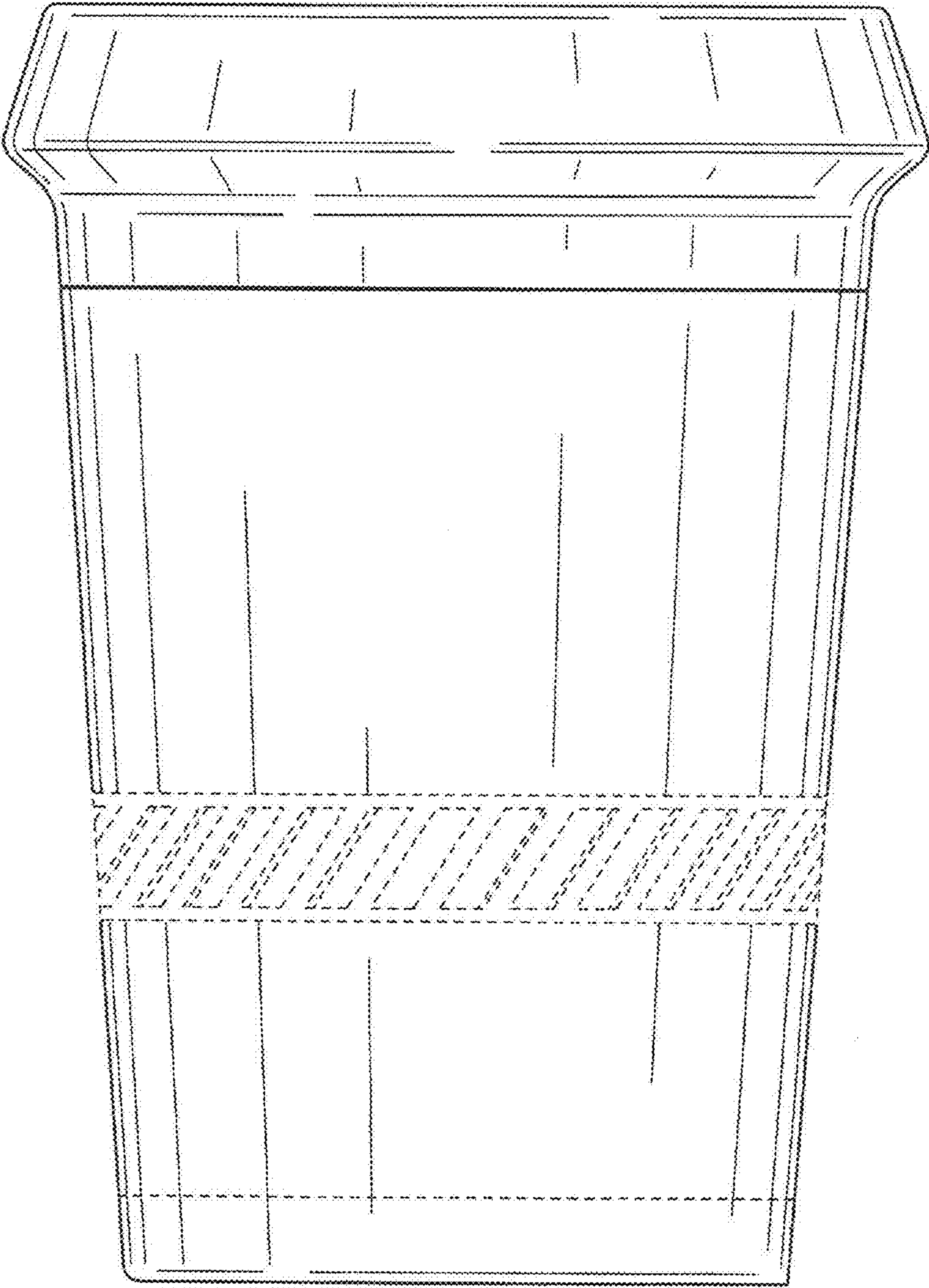


FIG. 1

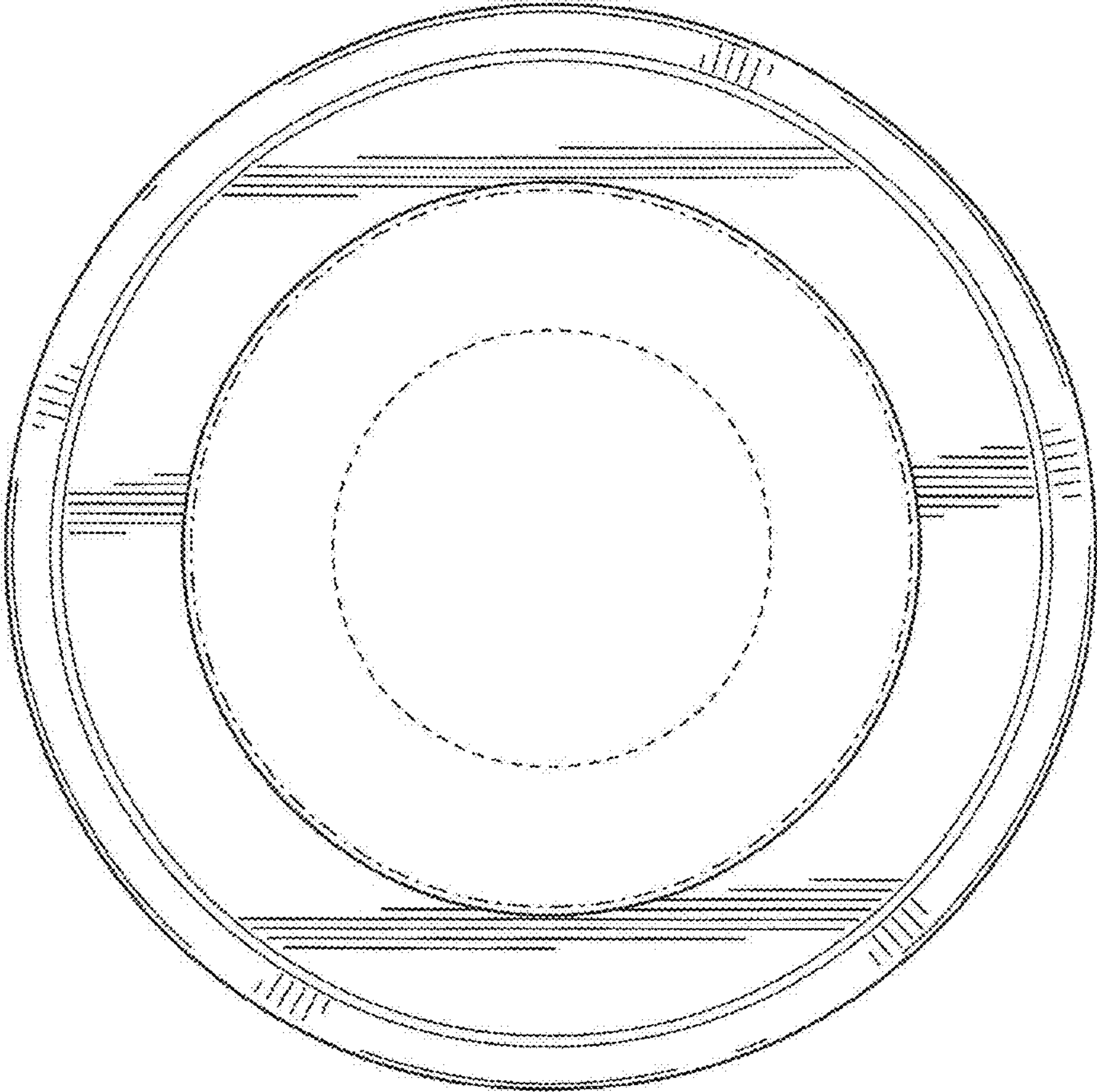


FIG. 2

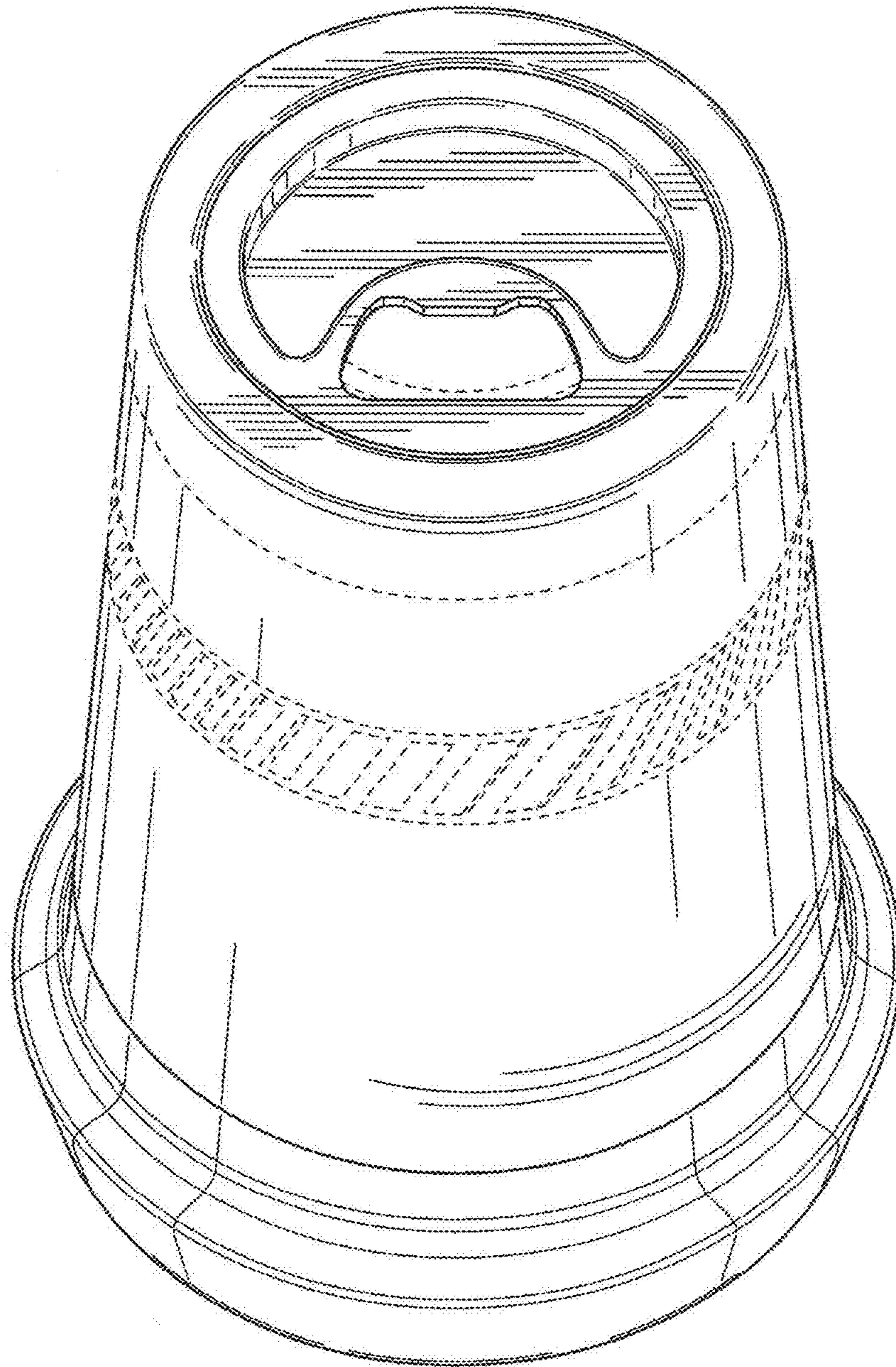


FIG. 3

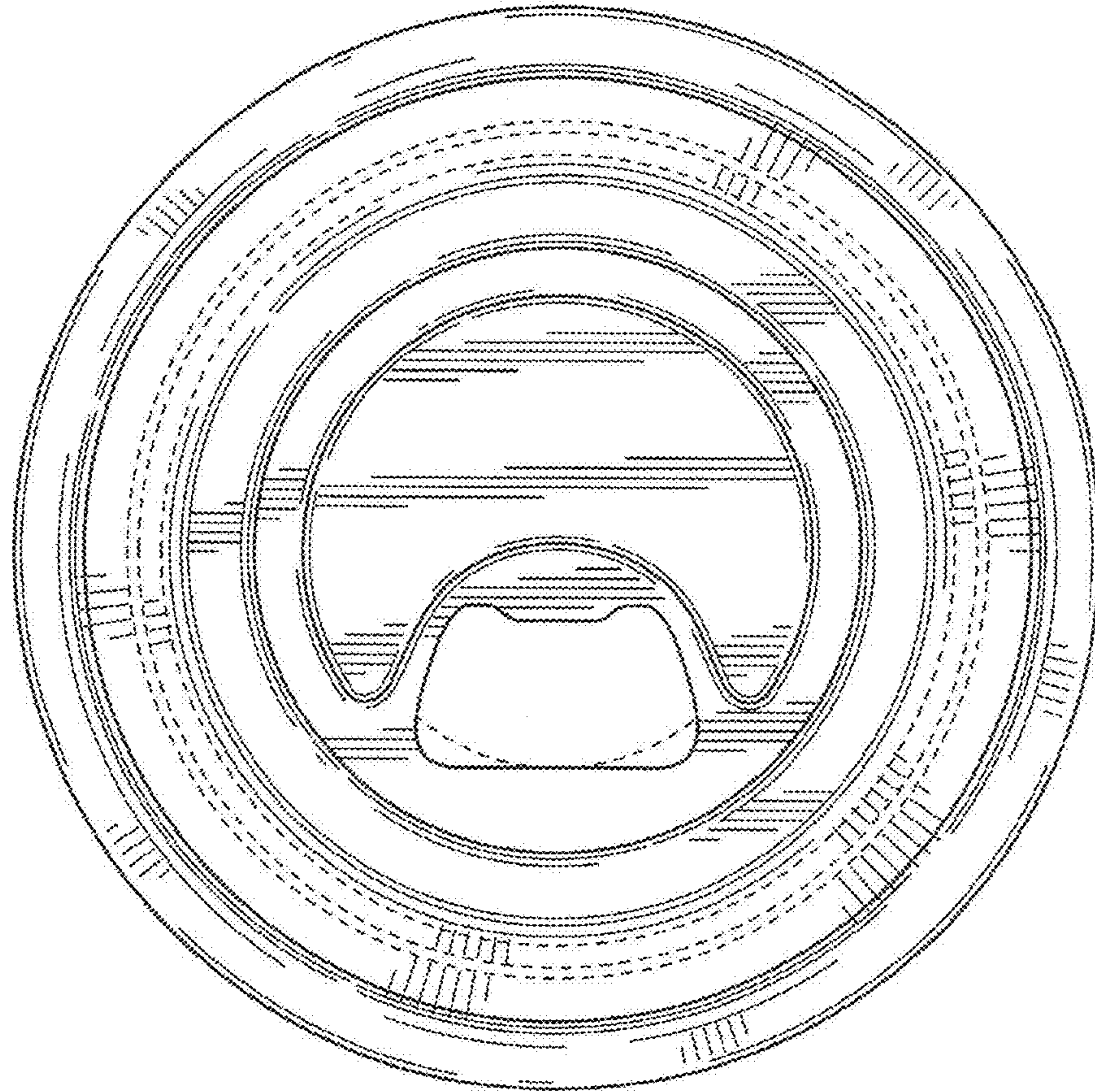


FIG. 4

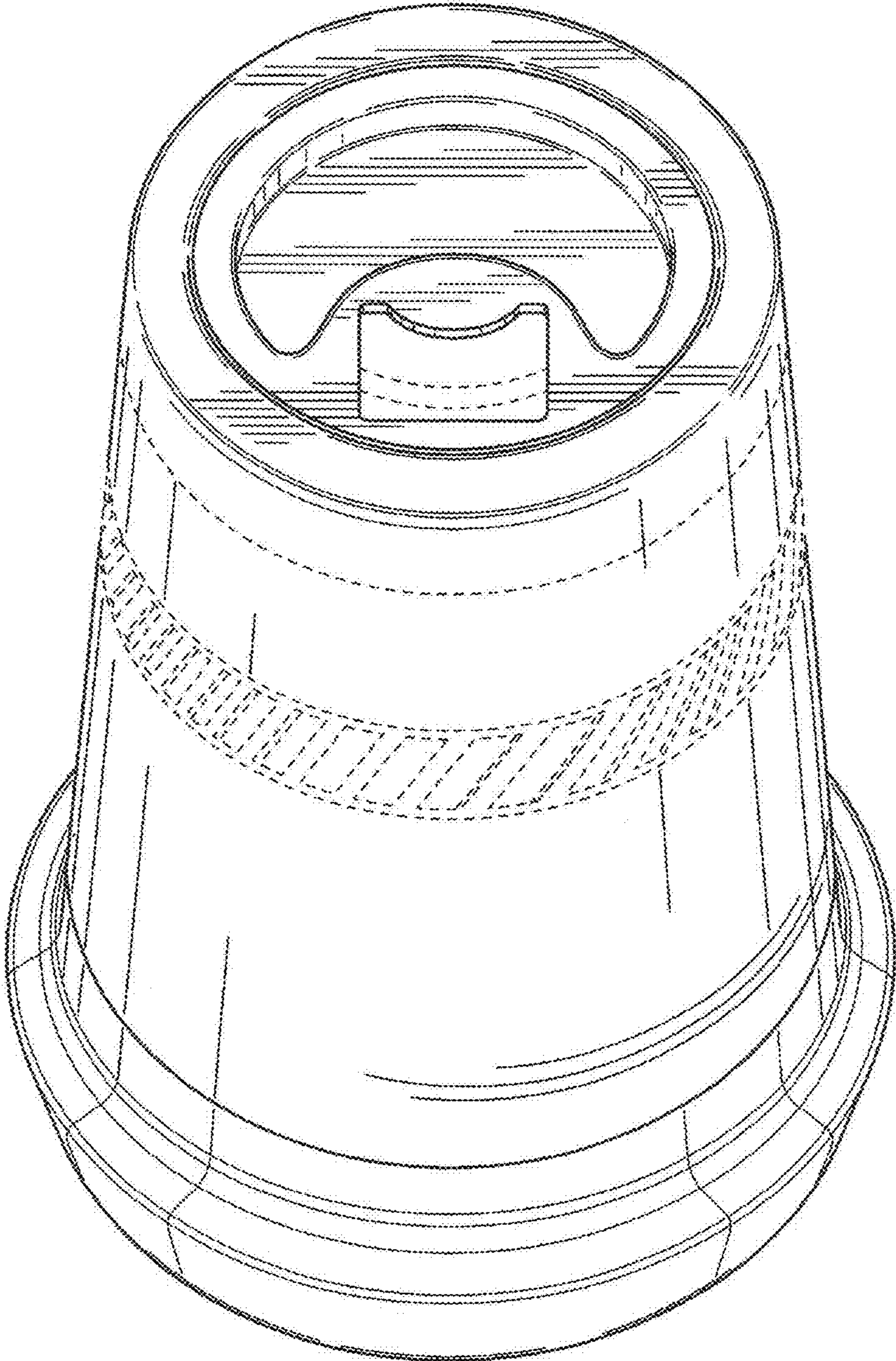


FIG. 5

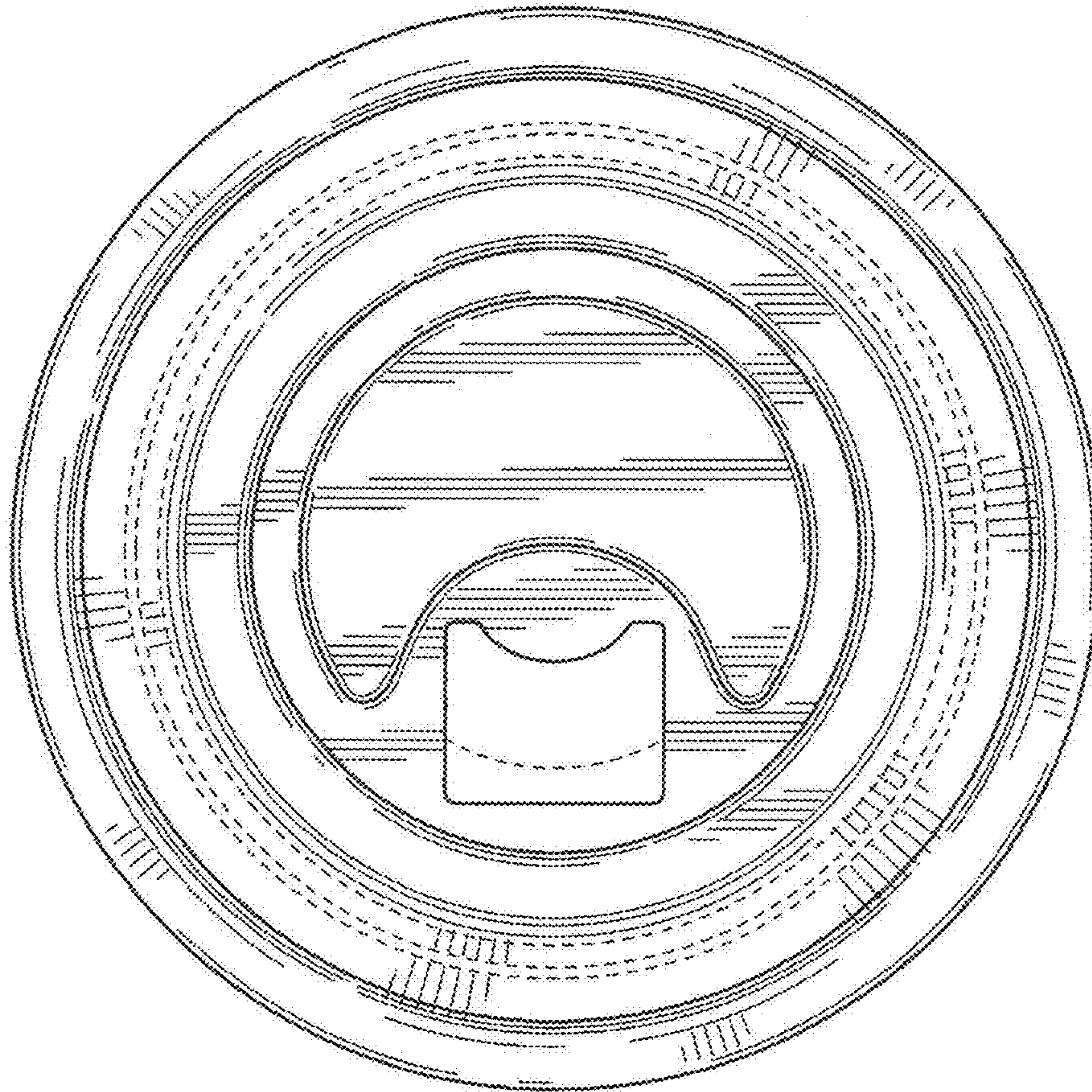


FIG. 6

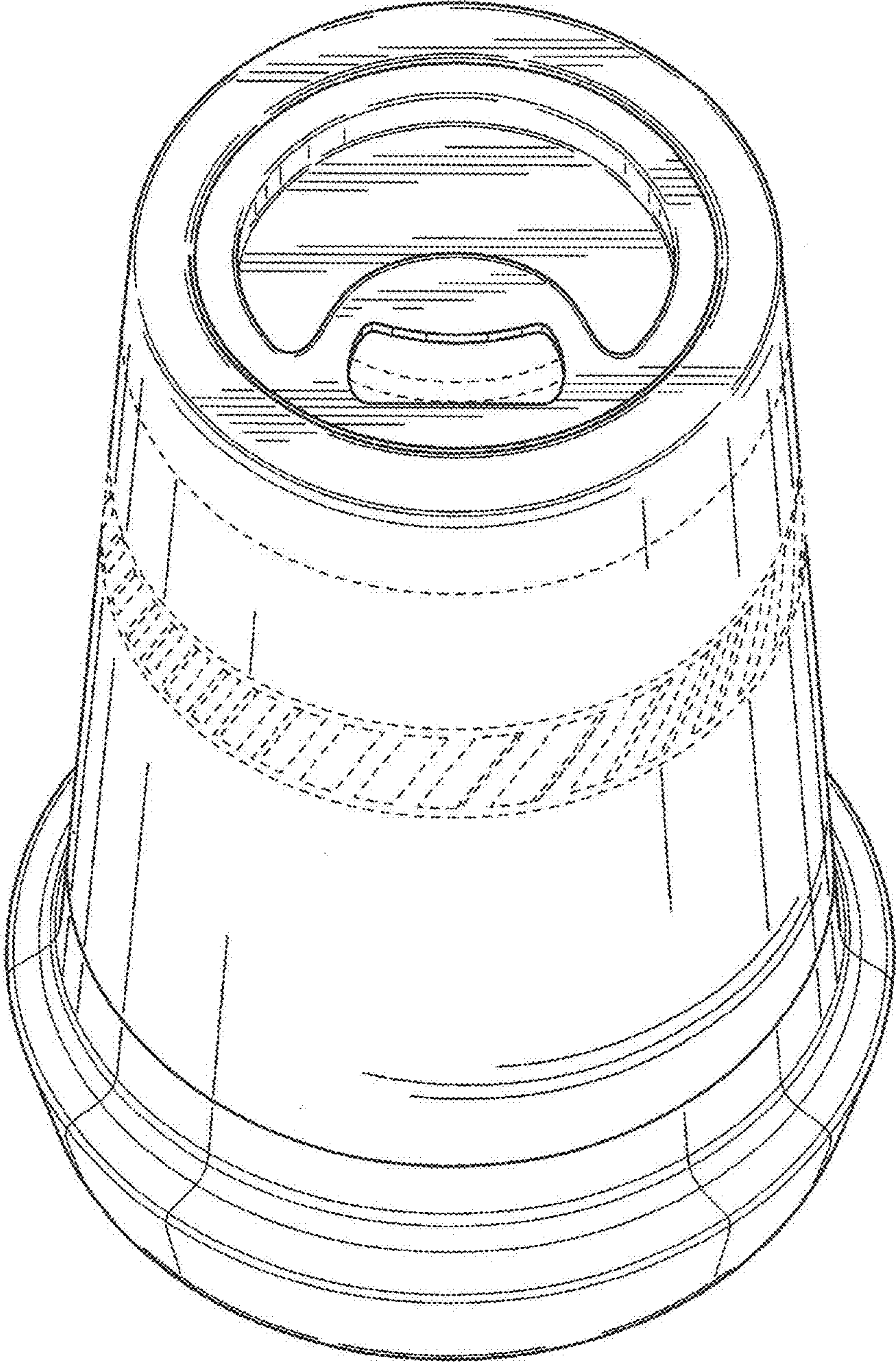


FIG. 7

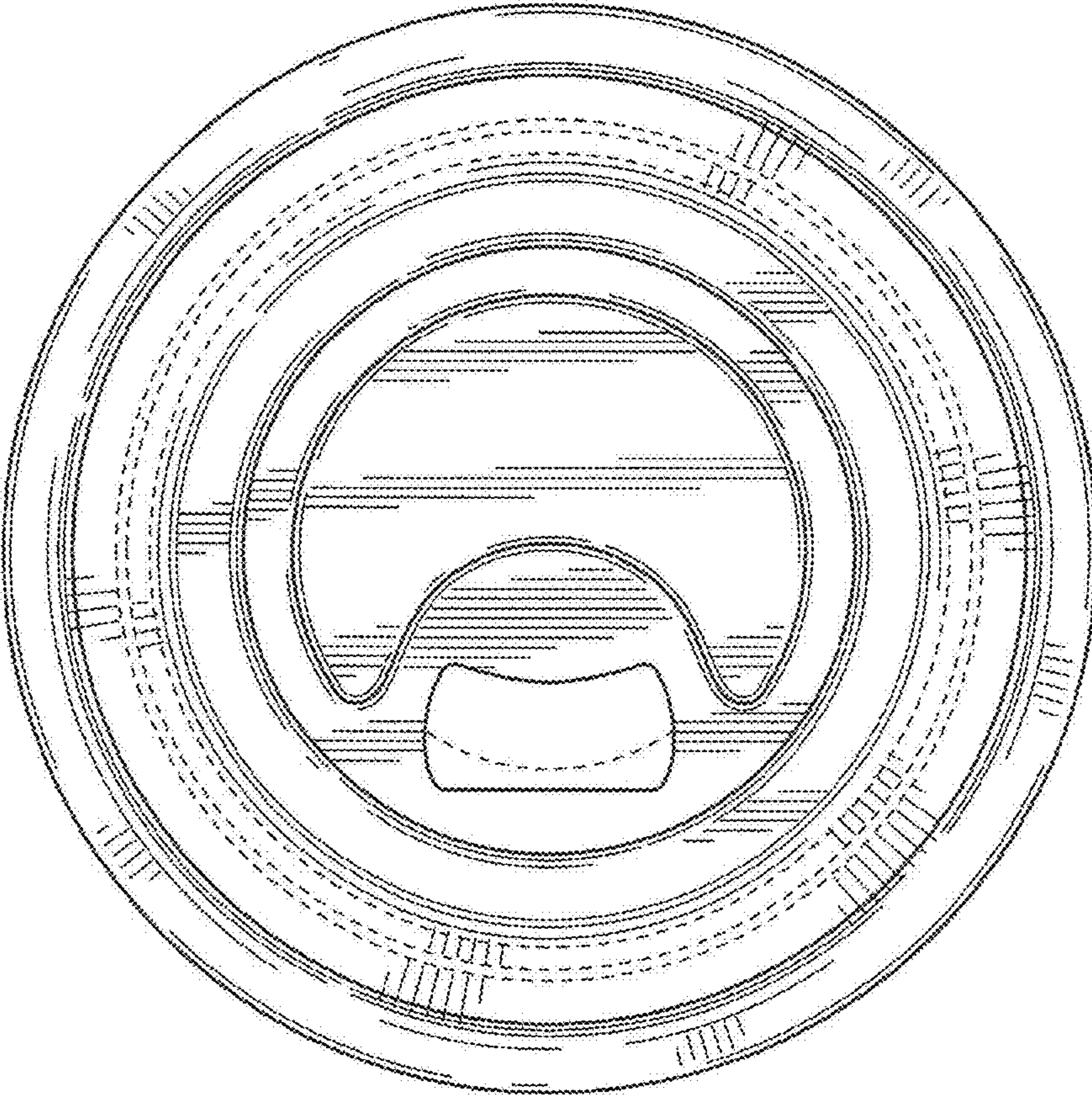


FIG. 8

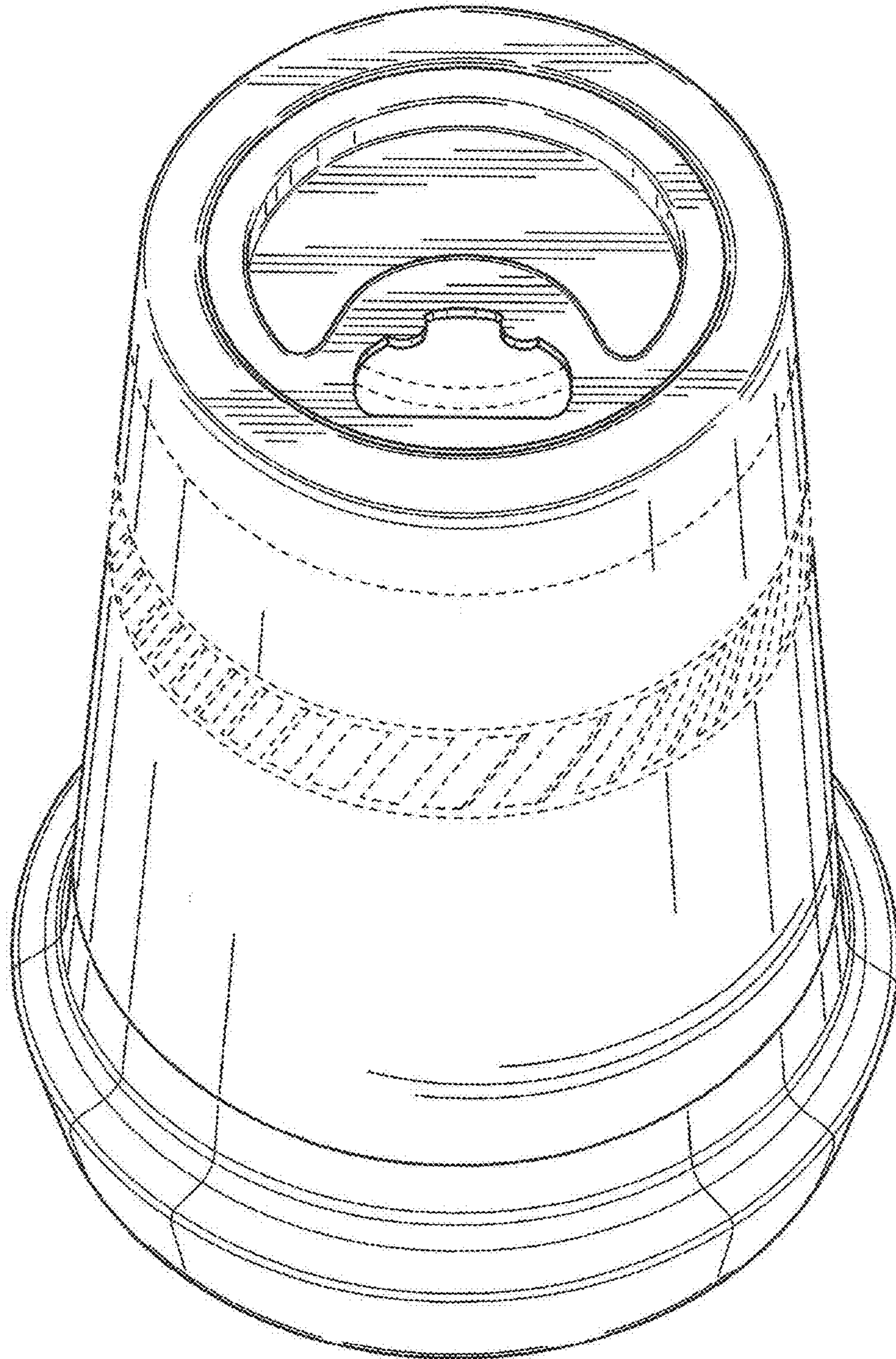


FIG. 9

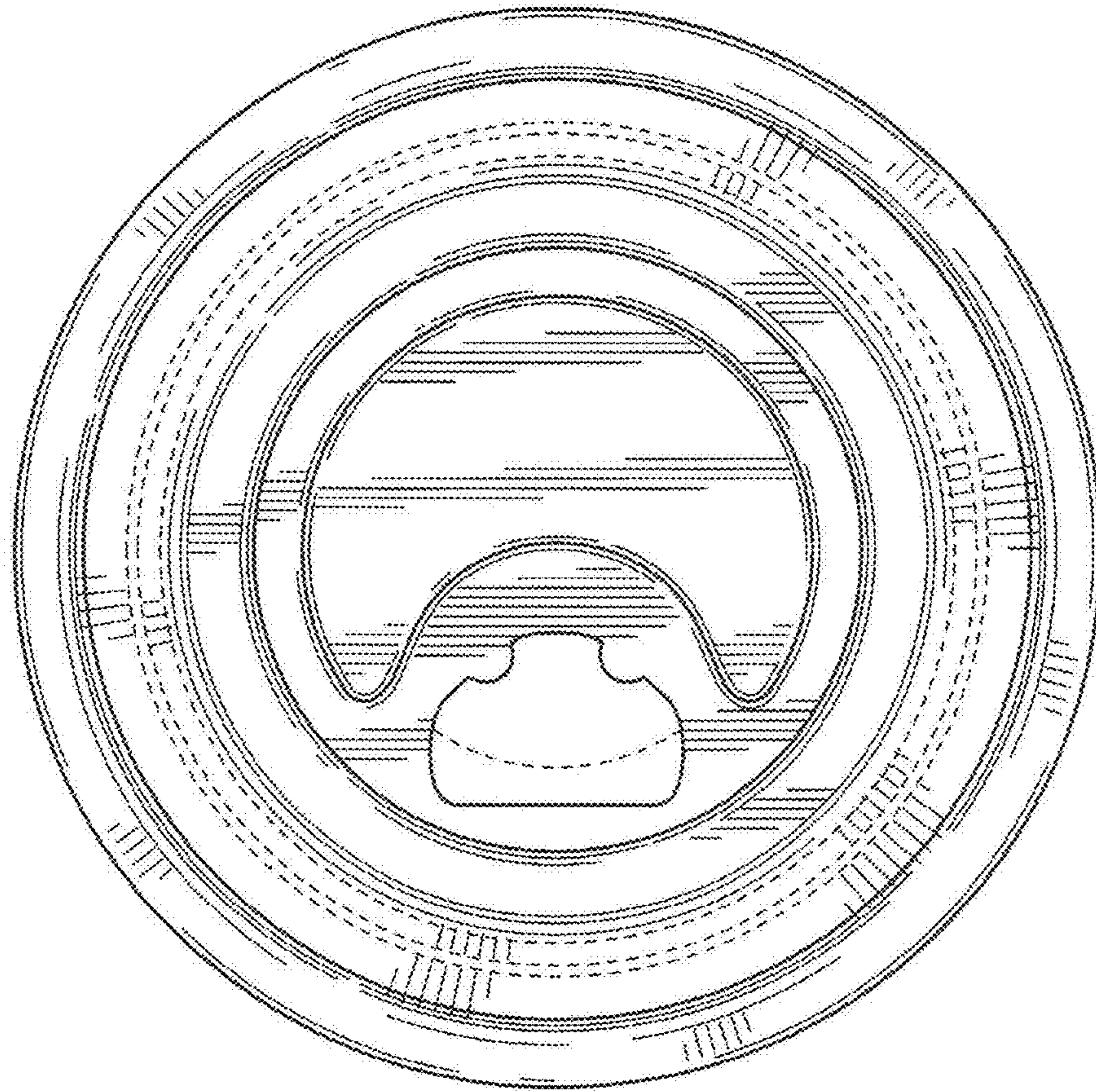


FIG. 10

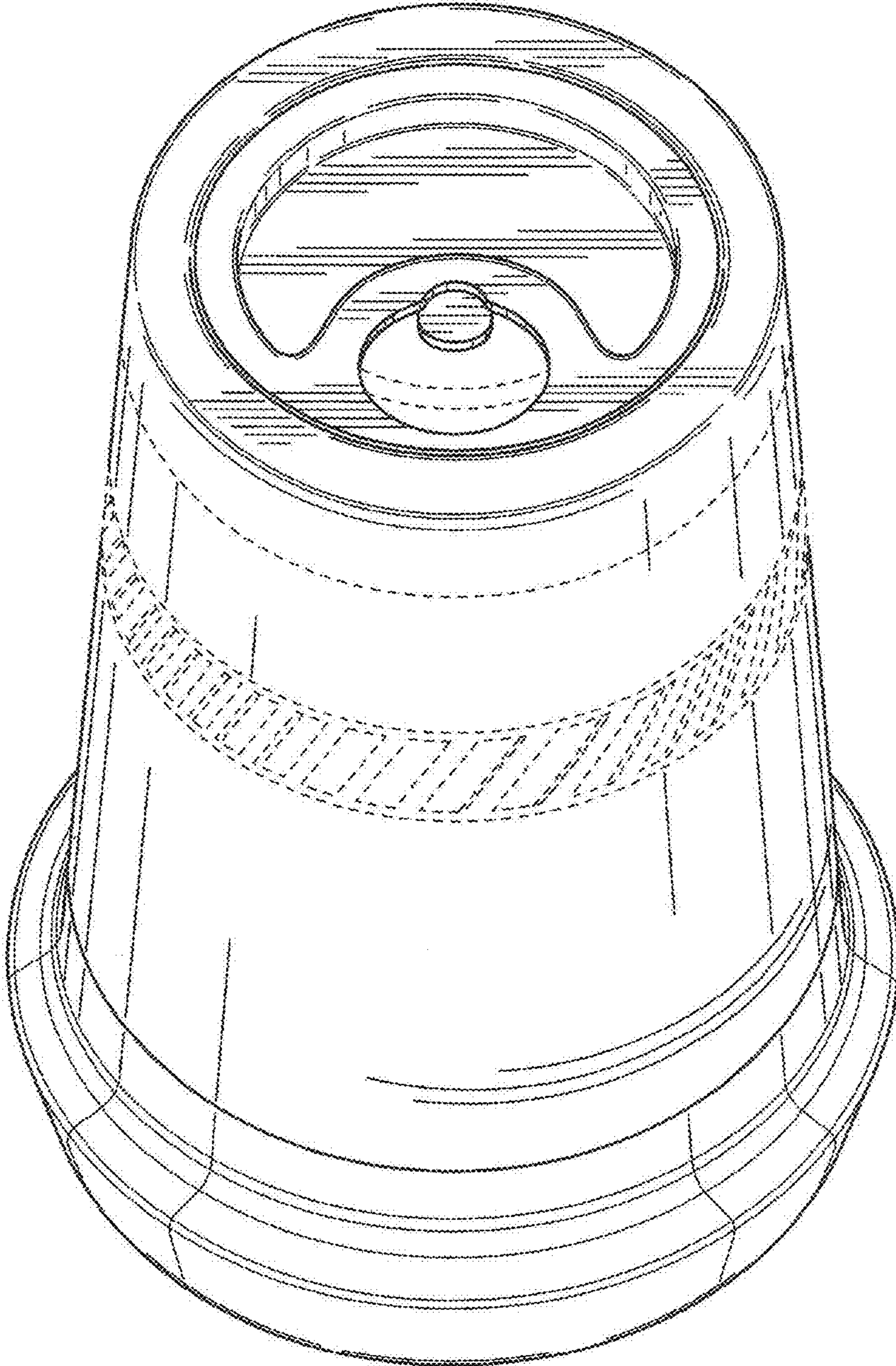


FIG. 11

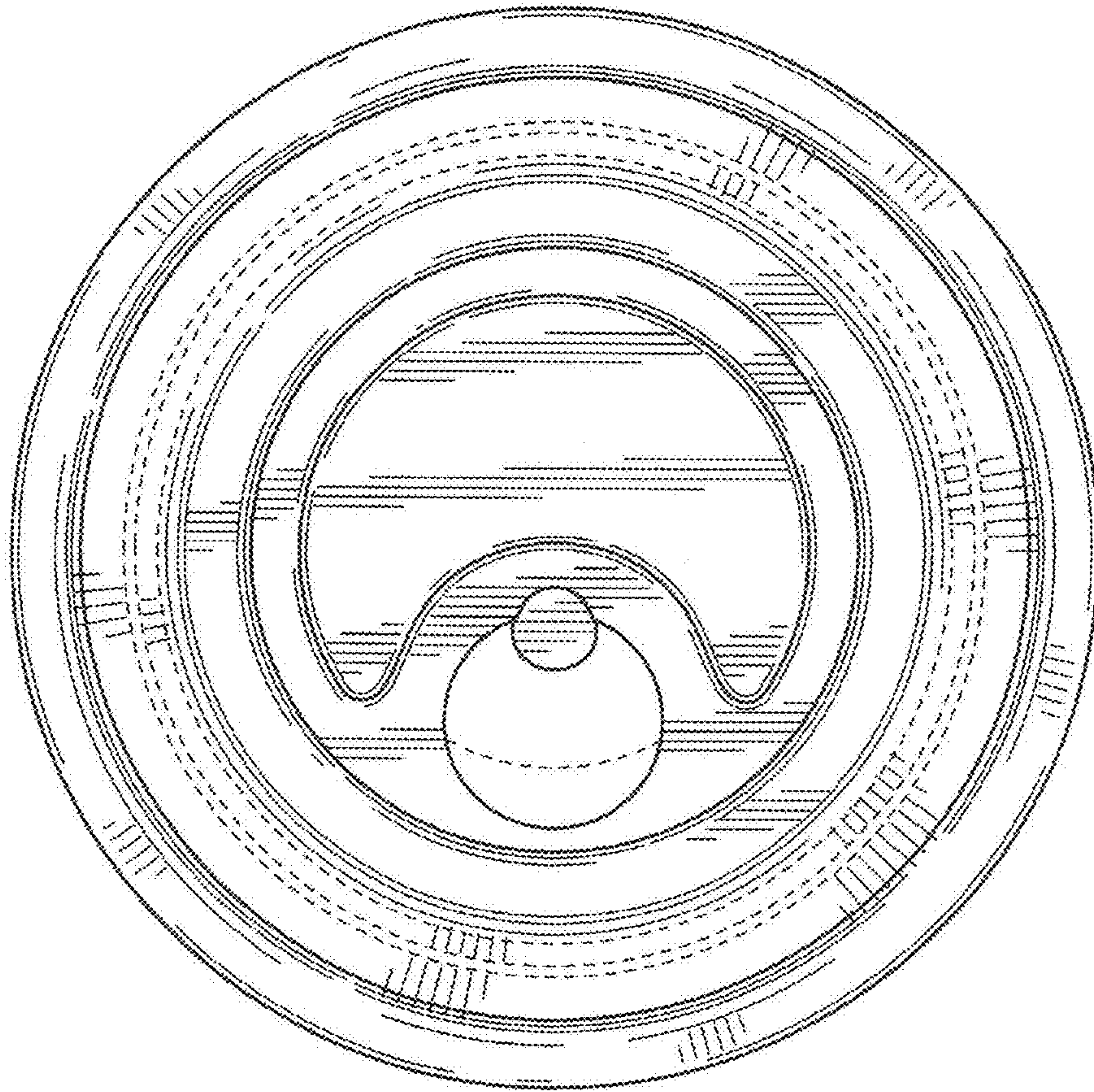


FIG. 12

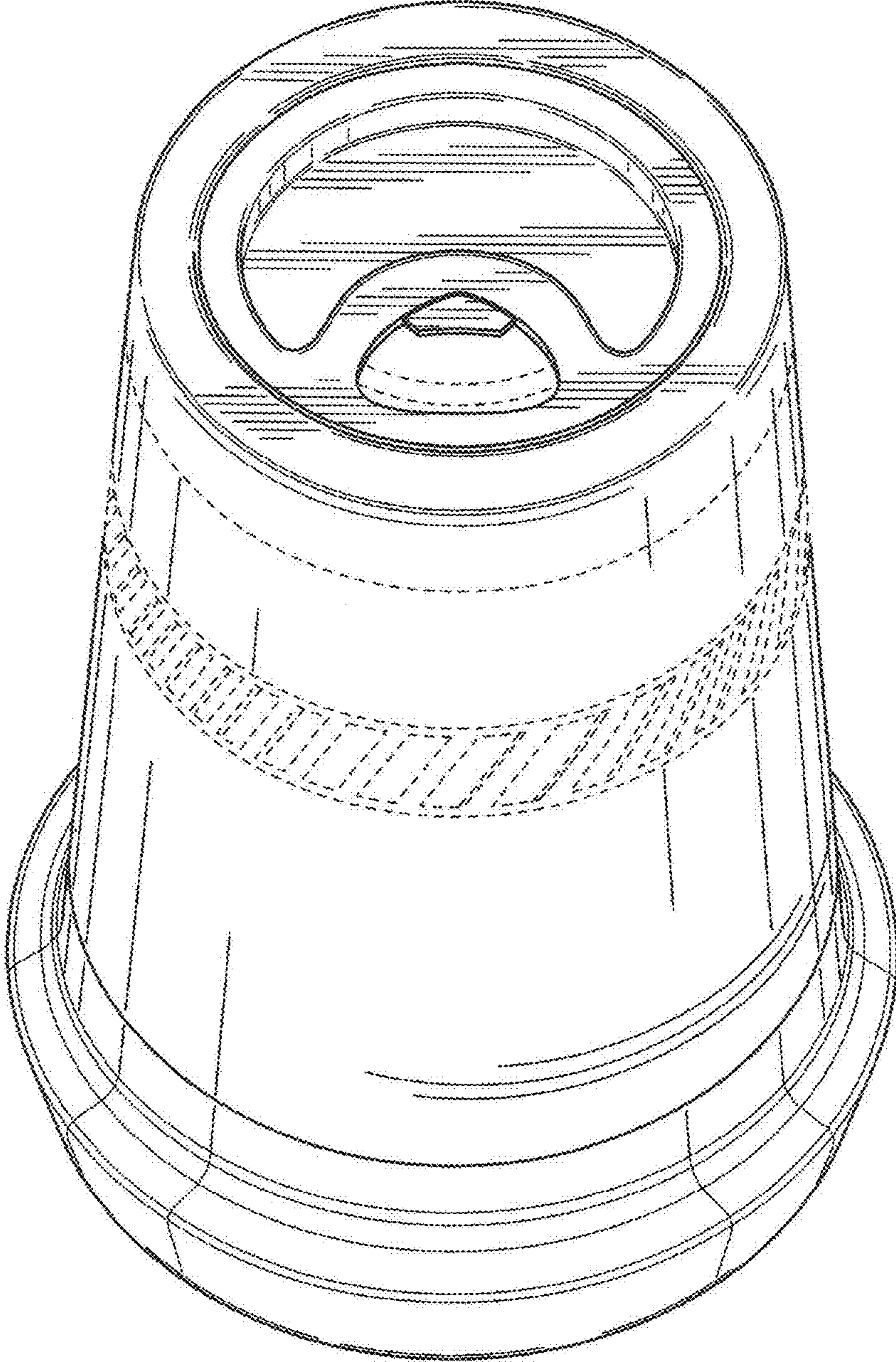


FIG. 13

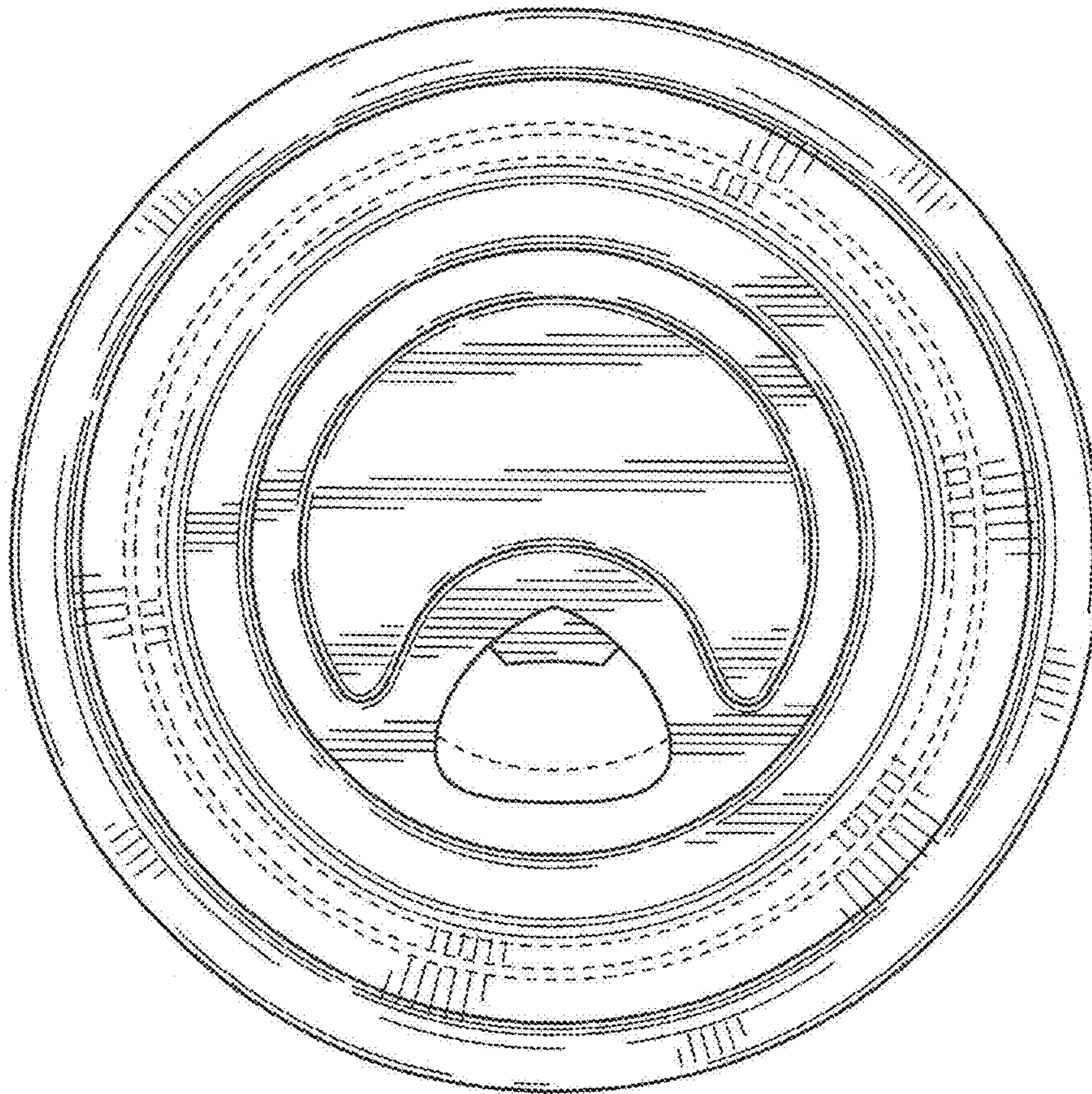


FIG. 14

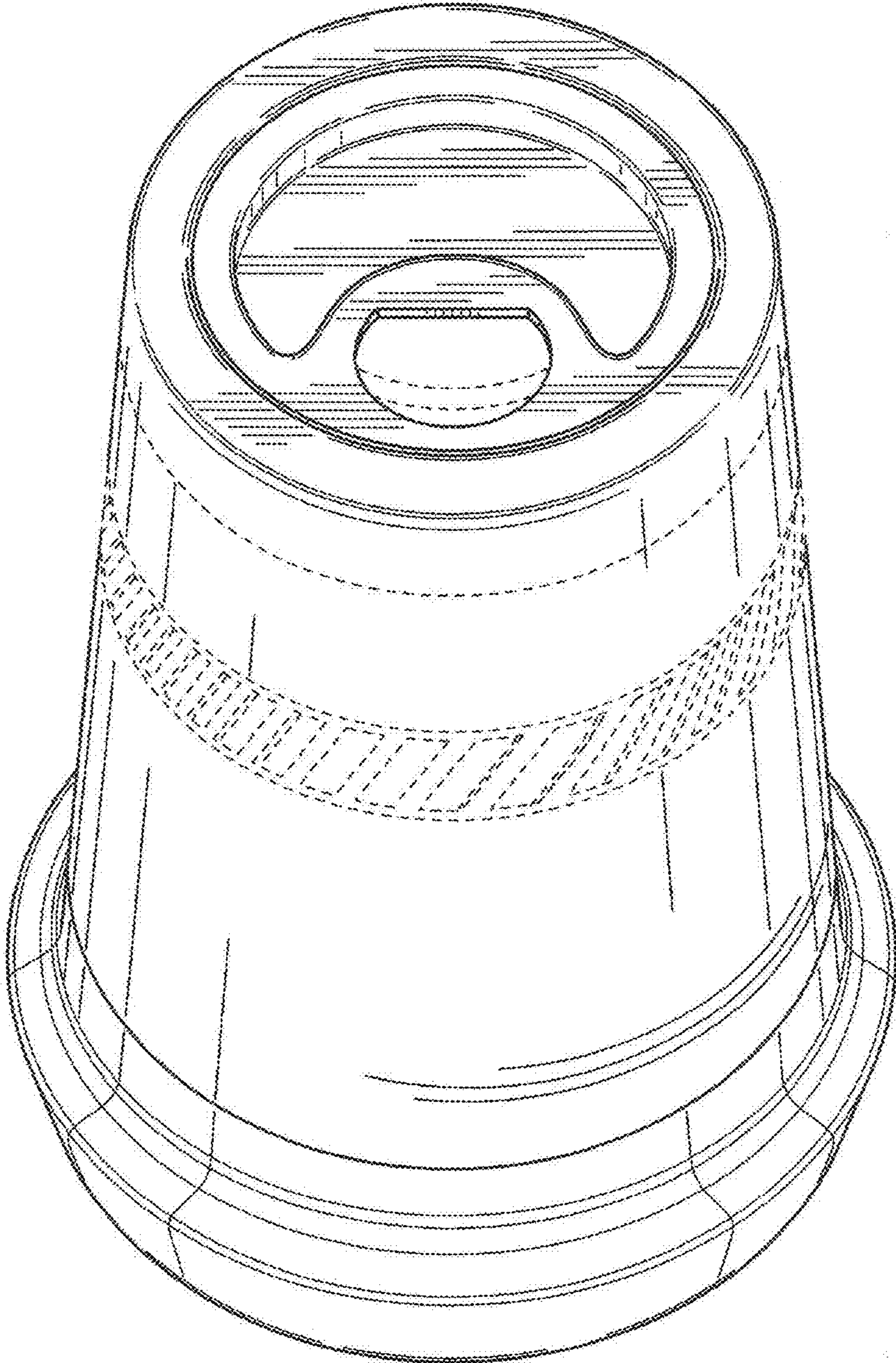


FIG. 15

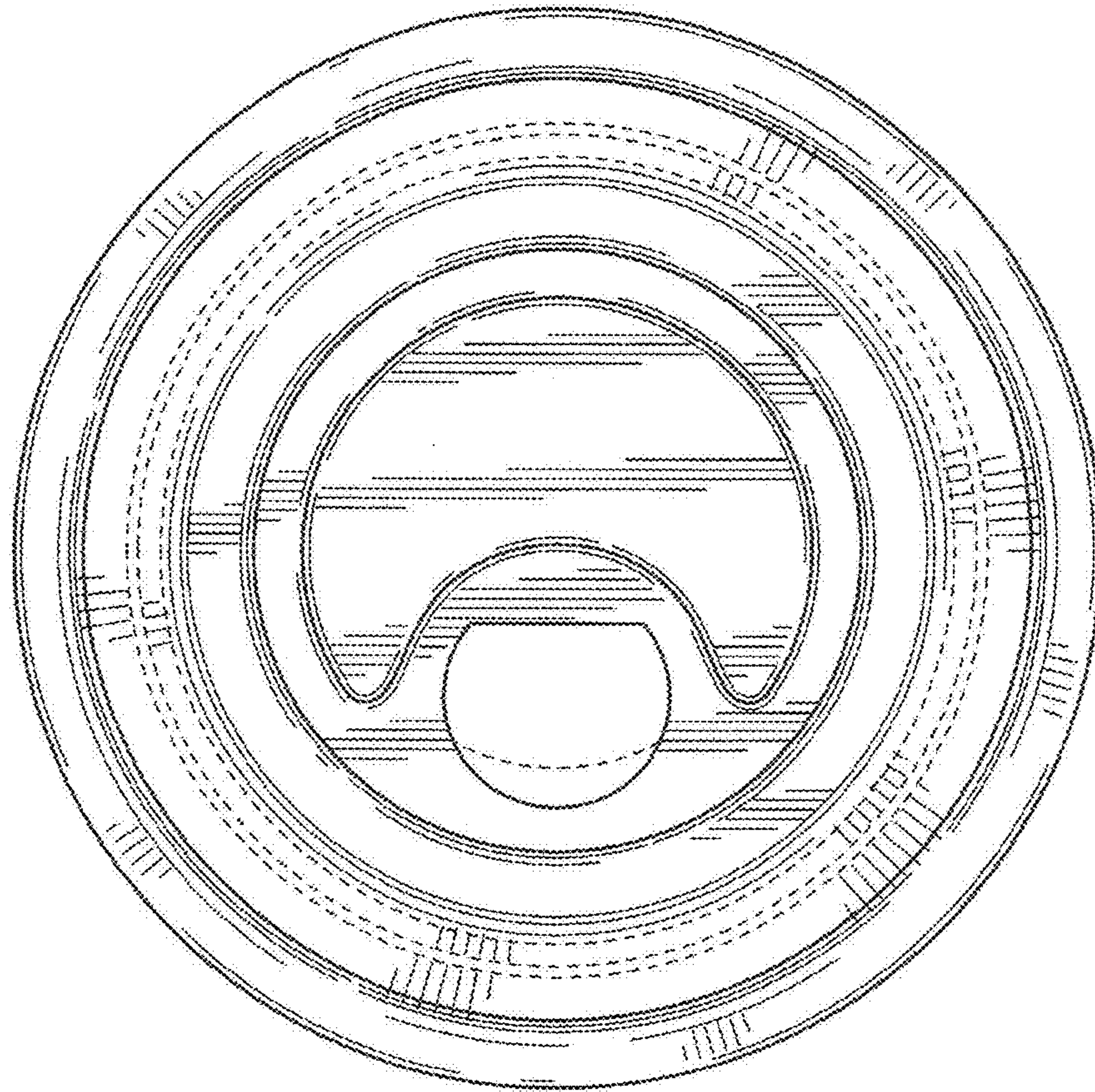


FIG. 16

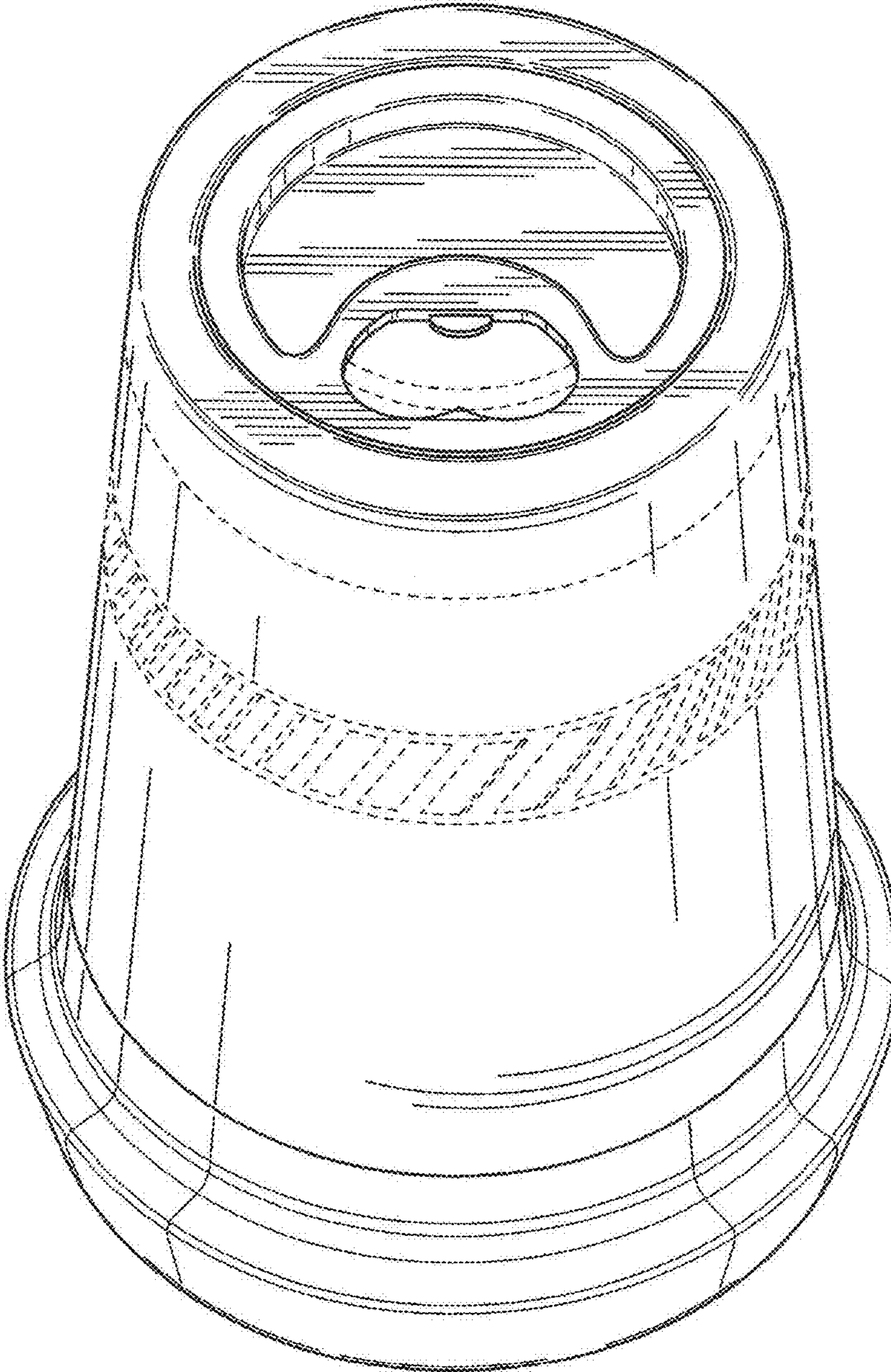


FIG. 17

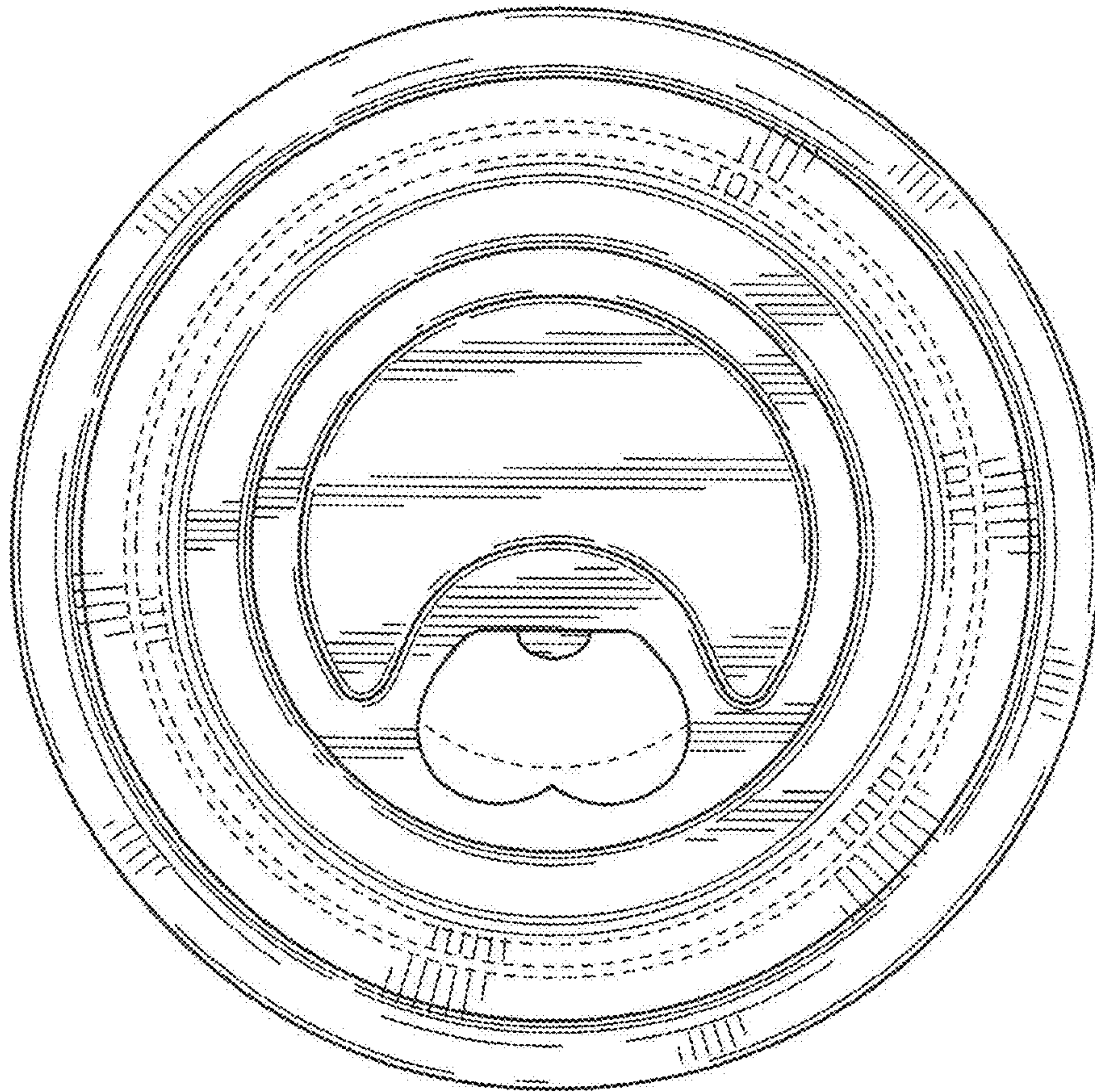


FIG. 18

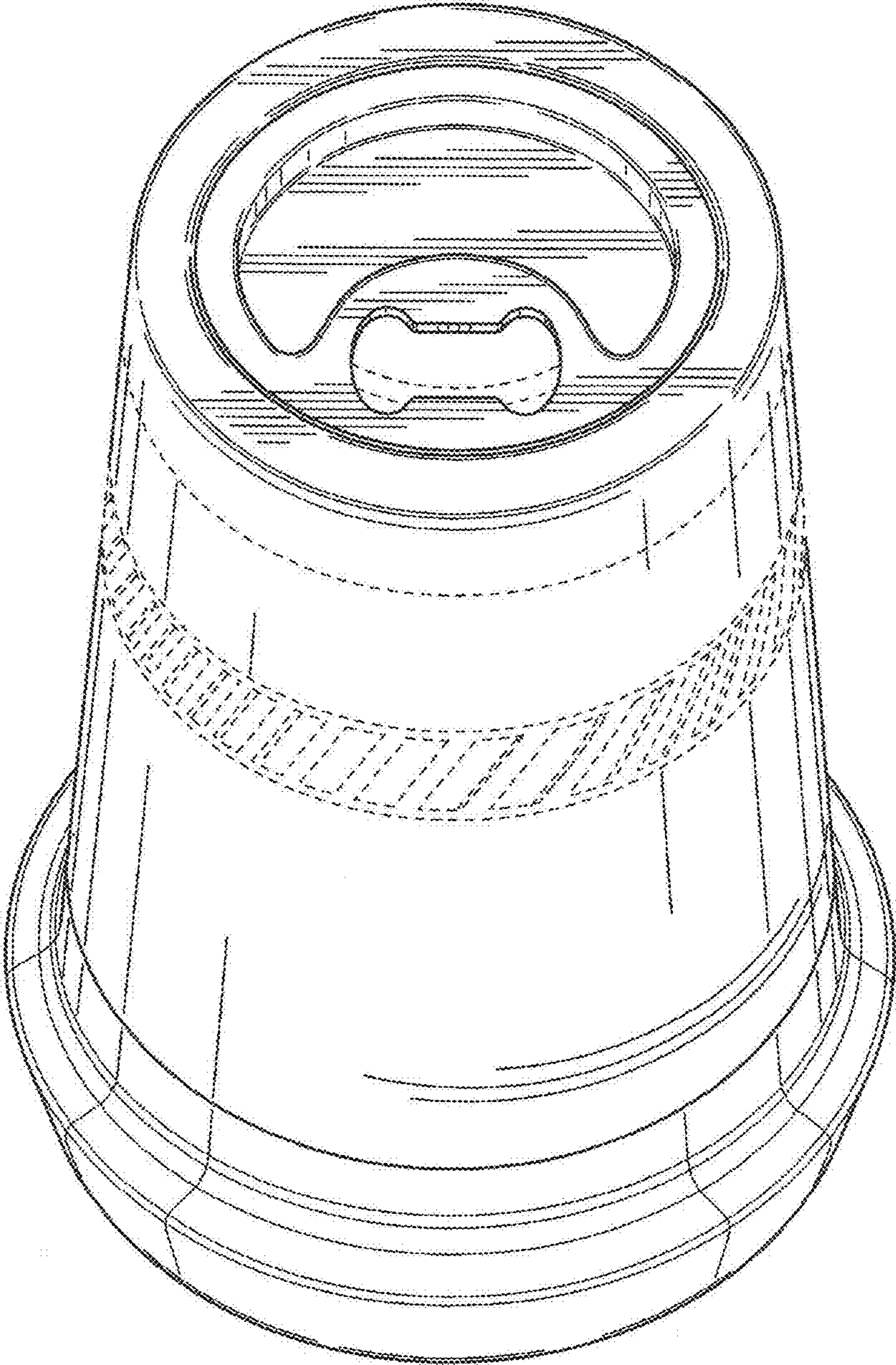


FIG. 19

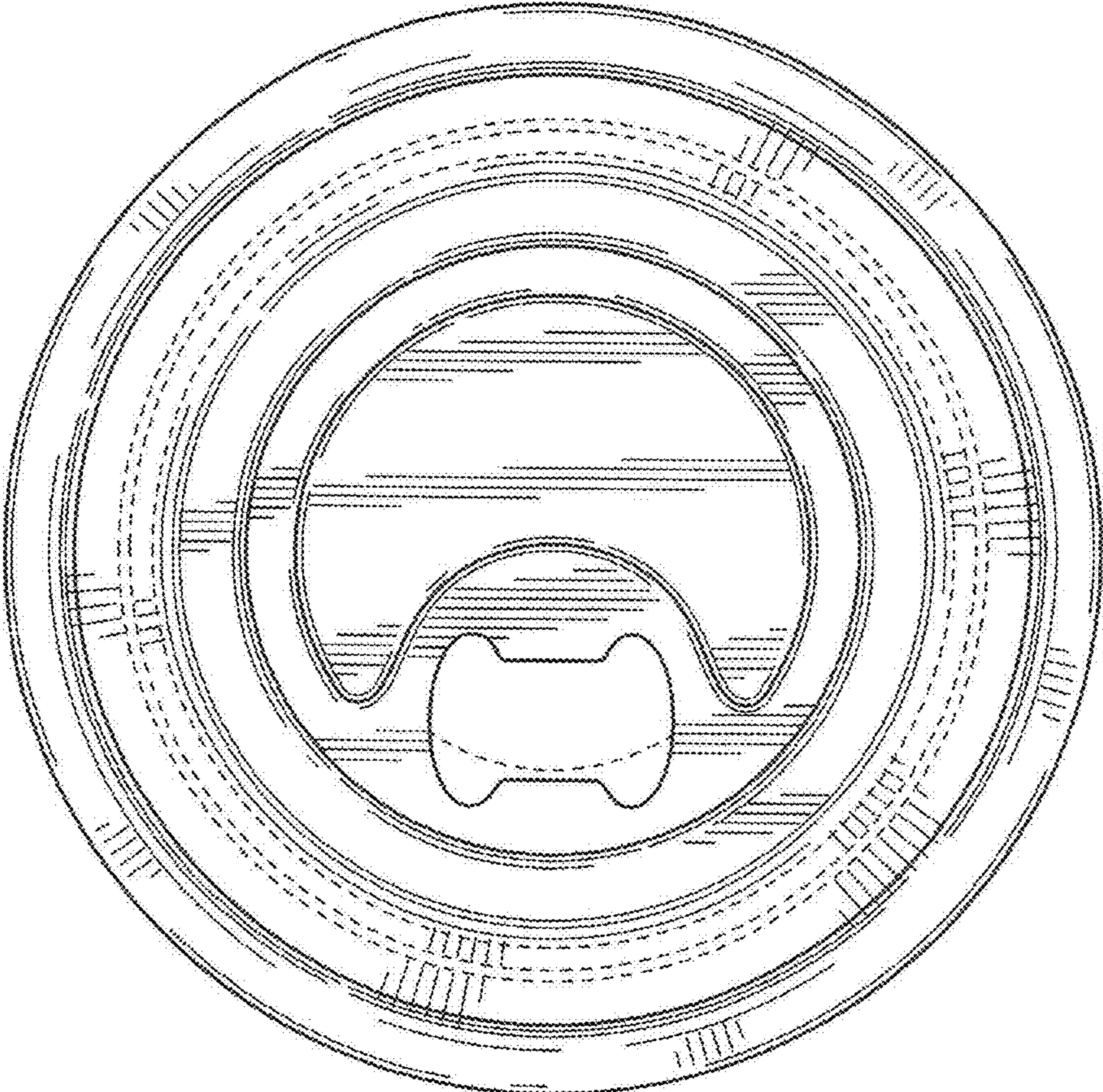


FIG. 20

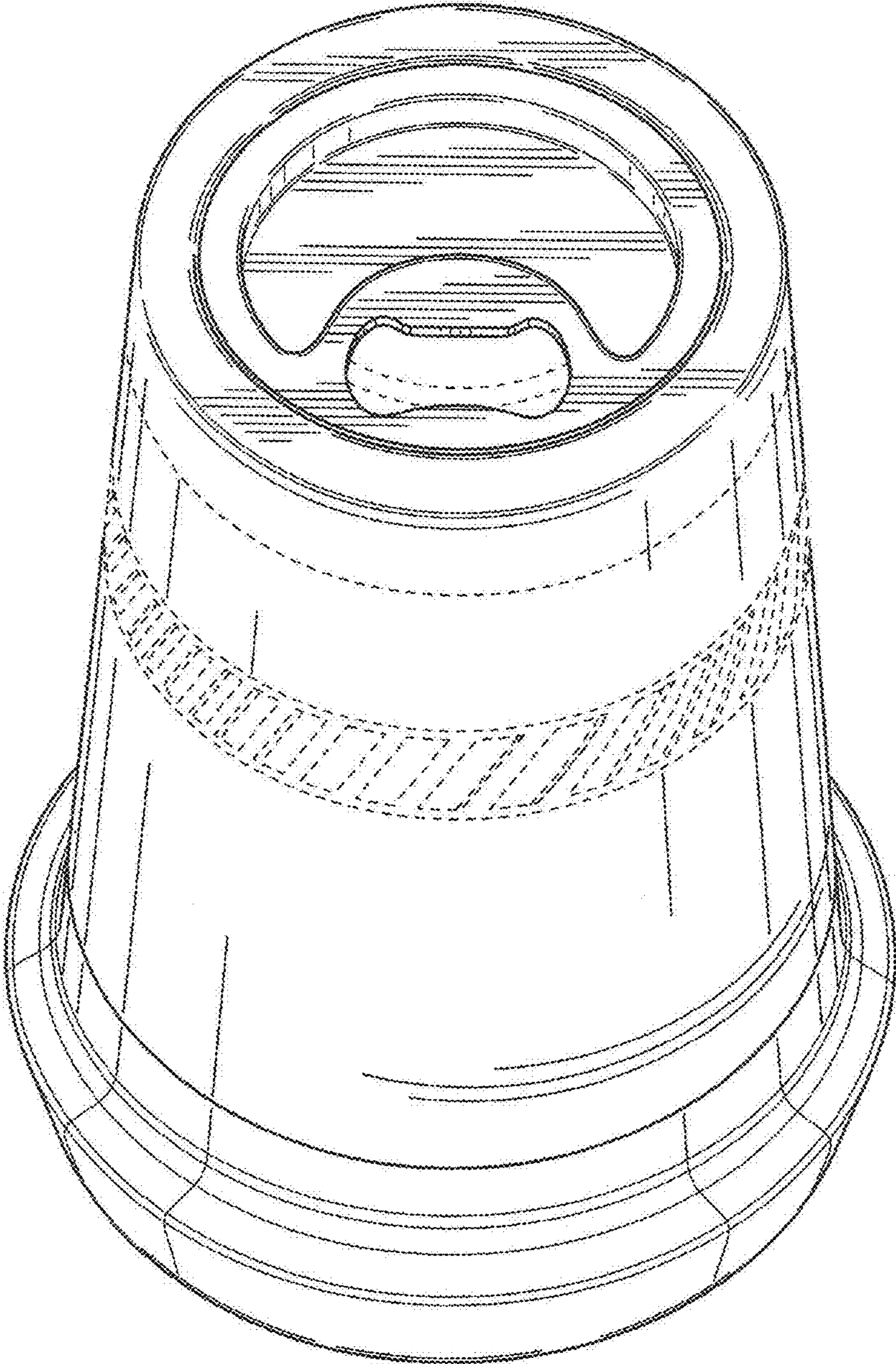


FIG. 21

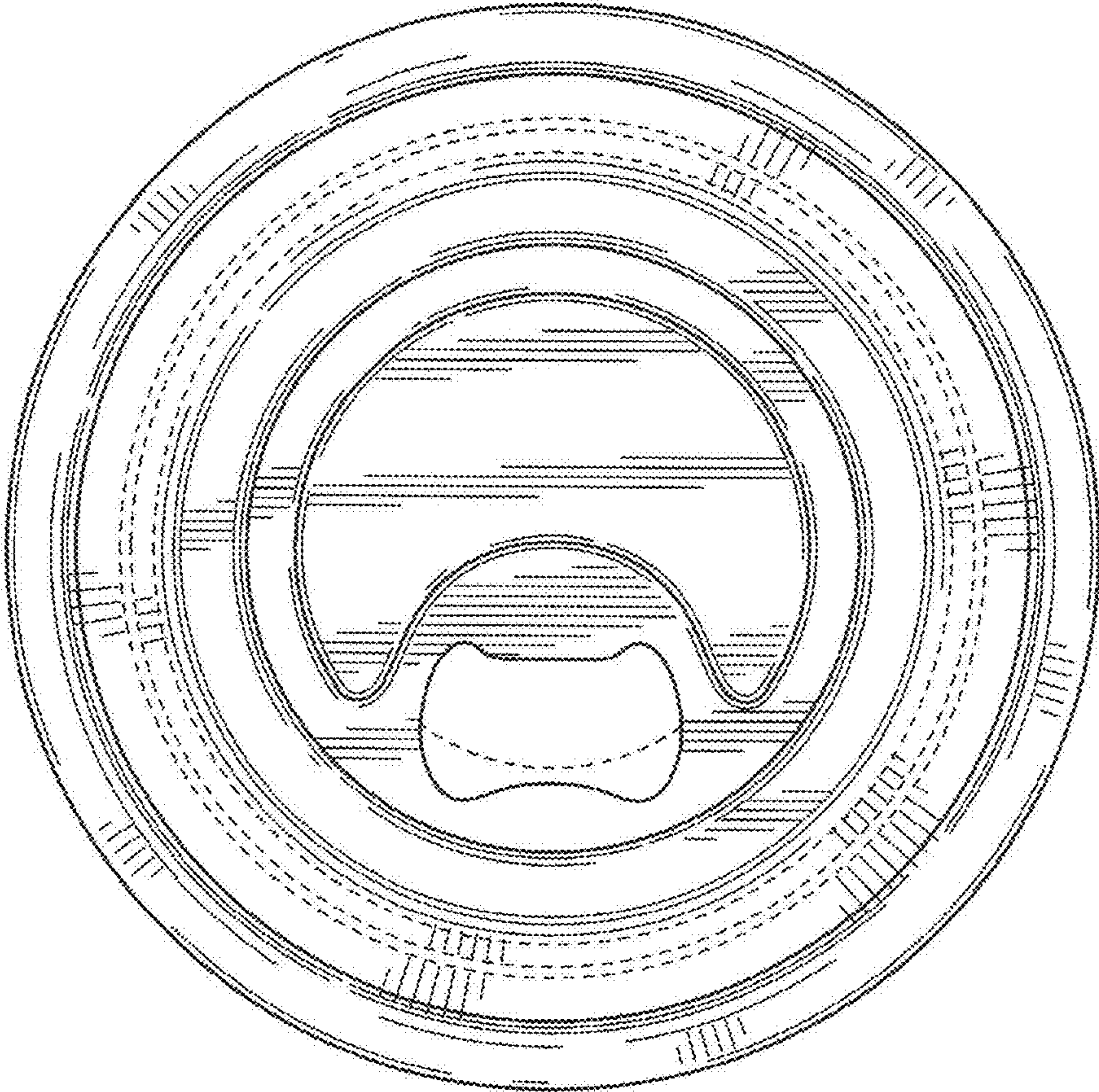


FIG. 22

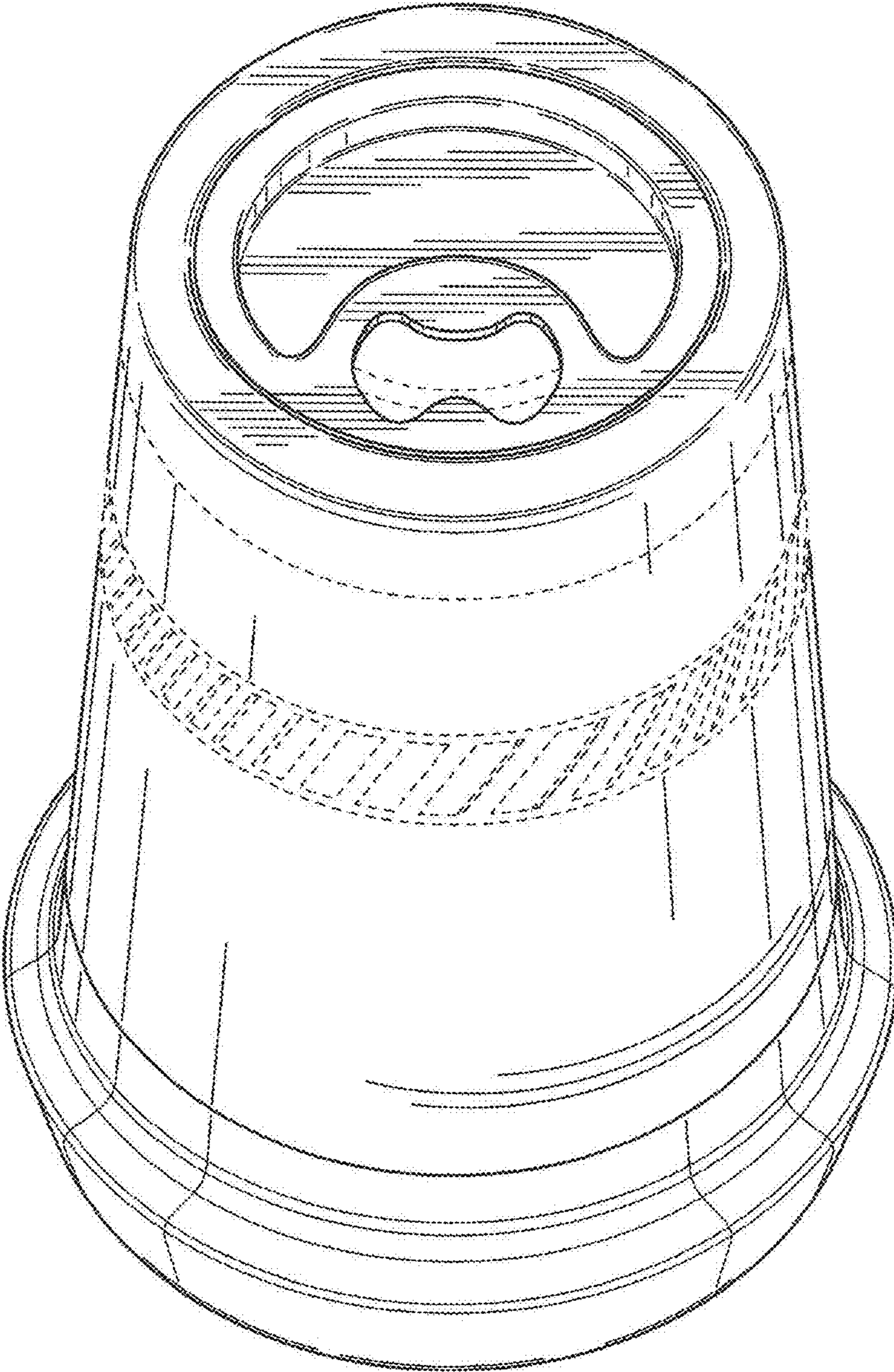


FIG. 23

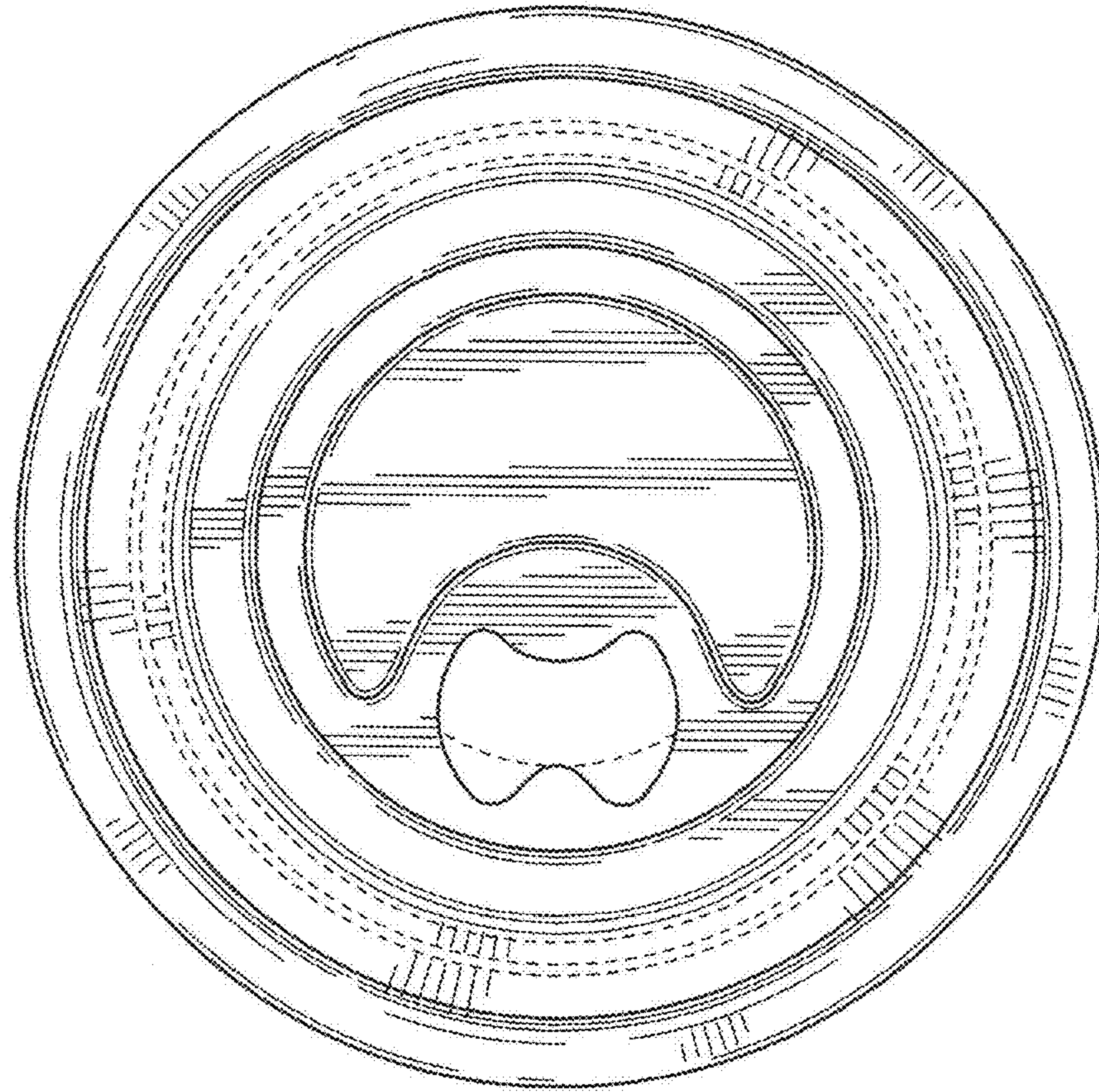


FIG. 24