



US00D847570S

(12) **United States Design Patent**
Wampold

(10) **Patent No.:** **US D847,570 S**

(45) **Date of Patent:** **** May 7, 2019**

- (54) **WINE GLASS**
- (71) Applicant: **BigMouth, Inc.**, Glastonbury, CT (US)
- (72) Inventor: **Stephen G. Wampold**, Glastonbury, CT (US)
- (73) Assignee: **BIGMOUTH, LLC**, Glastonbury, CT (US)
- (**) Term: **15 Years**
- (21) Appl. No.: **29/596,783**
- (22) Filed: **Mar. 10, 2017**
- (51) **LOC (11) Cl.** **07-01**
- (52) **U.S. Cl.**
USPC **D7/507; D7/524; D10/118**
- (58) **Field of Classification Search**
USPC D7/507, 509, 510, 511, 523, 570, 529, D7/524, 537, 526, 528, 532, 393, 213, D7/514, 515, 513; 220/592.16, 592.17; D10/118; D8/40
CPC A47G 19/2205; A47G 19/2227; A47G 19/22; A45F 3/20
See application file for complete search history.

- 3,608,766 A * 9/1971 D'Orefice A47G 19/2205 215/374
- 3,733,071 A * 5/1973 Levin A63H 33/3022 428/3
- D230,003 S * 1/1974 Levin D7/527
- 4,186,682 A * 2/1980 Longsdorf G10K 1/071 116/171
- 4,244,147 A * 1/1981 Geddes A01G 27/04 327/102
- D260,470 S * 9/1981 Angelakos D7/507
- D284,631 S * 7/1986 Inns D7/525
- D302,225 S * 7/1989 Shapard D26/22
- D369,520 S * 5/1996 Harrison D7/524
- D370,155 S * 5/1996 Harrison D7/524
- 5,513,764 A * 5/1996 Harrison A47G 19/2255 215/372
- D411,940 S * 7/1999 Horvat D7/505
- D418,015 S * 12/1999 Santini D7/513

(Continued)

Primary Examiner — Marianne N Pandozzi
Assistant Examiner — Jae Liang
(74) *Attorney, Agent, or Firm* — K&L Gates LLP

(57) **CLAIM**

The ornamental design for a wine glass, as shown and described.

(56) **References Cited**

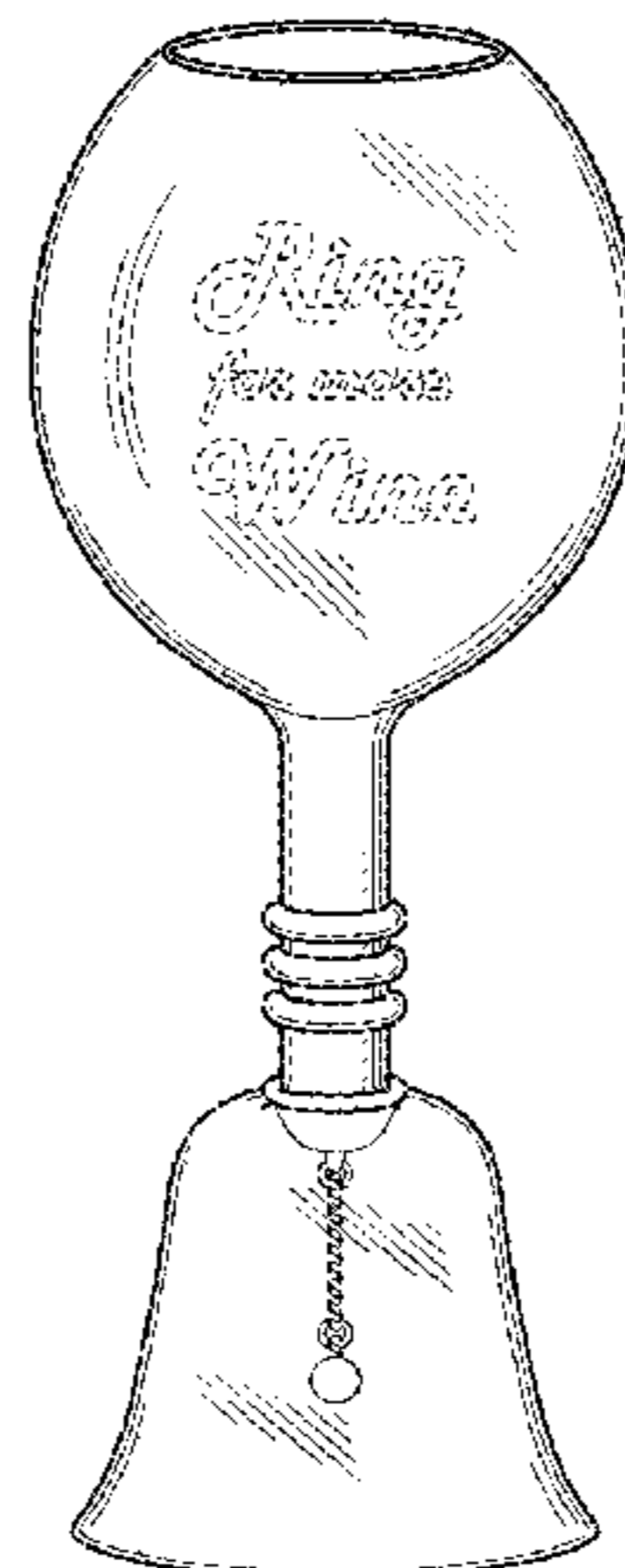
U.S. PATENT DOCUMENTS

- 445,057 A * 1/1891 Harroun B65F 1/163 220/23.87
- D44,661 S * 9/1913 Hunter D7/524
- 2,073,478 A * 3/1937 Heller A47G 19/2205 215/377
- D108,748 S * 3/1938 Kostellow D7/524
- 2,597,522 A * 5/1952 Pierce A47G 19/2227 116/152
- 2,700,249 A * 1/1955 Miller A47G 19/2227 215/377
- 3,049,351 A * 8/1962 Chocholaty A63F 9/00 273/108
- D205,368 S * 7/1966 Makara D7/507

DESCRIPTION

FIG. 1 is a front top perspective view of a wine glass showing my new design;
FIG. 2 is a rear top perspective view thereof;
FIG. 3 is a first side elevational view thereof;
FIG. 4 is a second side elevational view thereof;
FIG. 5 is a top view thereof;
FIG. 6 is a bottom view thereof; and,
FIG. 7 is a front bottom perspective view thereof.
The broken lines in the drawings depict portions of the wine glass that form no part of the claimed design.

1 Claim, 6 Drawing Sheets



(56)

References Cited

U.S. PATENT DOCUMENTS

6,066,021 A *	5/2000	Lee	A47G 19/2227	D737,101 S	8/2015	Wampold	
				215/6	D738,687 S	9/2015	Wampold	
7,318,329 B2 *	1/2008	Penrith	C03B 23/0026	9,204,744 B2 *	12/2015	Vacanti A47G 19/2205
				65/108	D749,907 S *	2/2016	Meyerhoffer D7/523
D604,560 S *	11/2009	Priest	D7/507	D754,245 S	4/2016	Wampold	
D697,765 S	1/2014	Wampold			D759,182 S	6/2016	Wampold	
D703,008 S	4/2014	Wampold			D770,860 S	11/2016	Wampold	
D703,009 S	4/2014	Wampold			D772,012 S	11/2016	Wampold	
D704,002 S *	5/2014	Gooris	D7/524	D775,295 S	12/2016	Wampold	
D717,604 S *	11/2014	Klinge	D7/523	D775,894 S	1/2017	Wampold	
D719,409 S	12/2014	Wampold			D775,898 S *	1/2017	Ricketts D7/524
D720,078 S	12/2014	Wampold			D801,748 S *	11/2017	Sullivan D7/397
D721,182 S	1/2015	Wampold			D814,862 S *	4/2018	Sullivan D7/397
D725,209 S	3/2015	Wampold			2004/0001332 A1 *	1/2004	Solowiej A47G 19/2227
D726,273 S	4/2015	Wampold						362/101
D727,689 S	4/2015	Wampold			2010/0116779 A1 *	5/2010	Erez A47G 19/22
D728,113 S	4/2015	Wampold						215/393
9,051,082 B1 *	6/2015	Klinge	B65D 23/001	2016/0157645 A1 *	6/2016	Bayless A47G 19/2227
								220/600
					2016/0203808 A1 *	7/2016	Weber B29C 65/48
								116/25

* cited by examiner

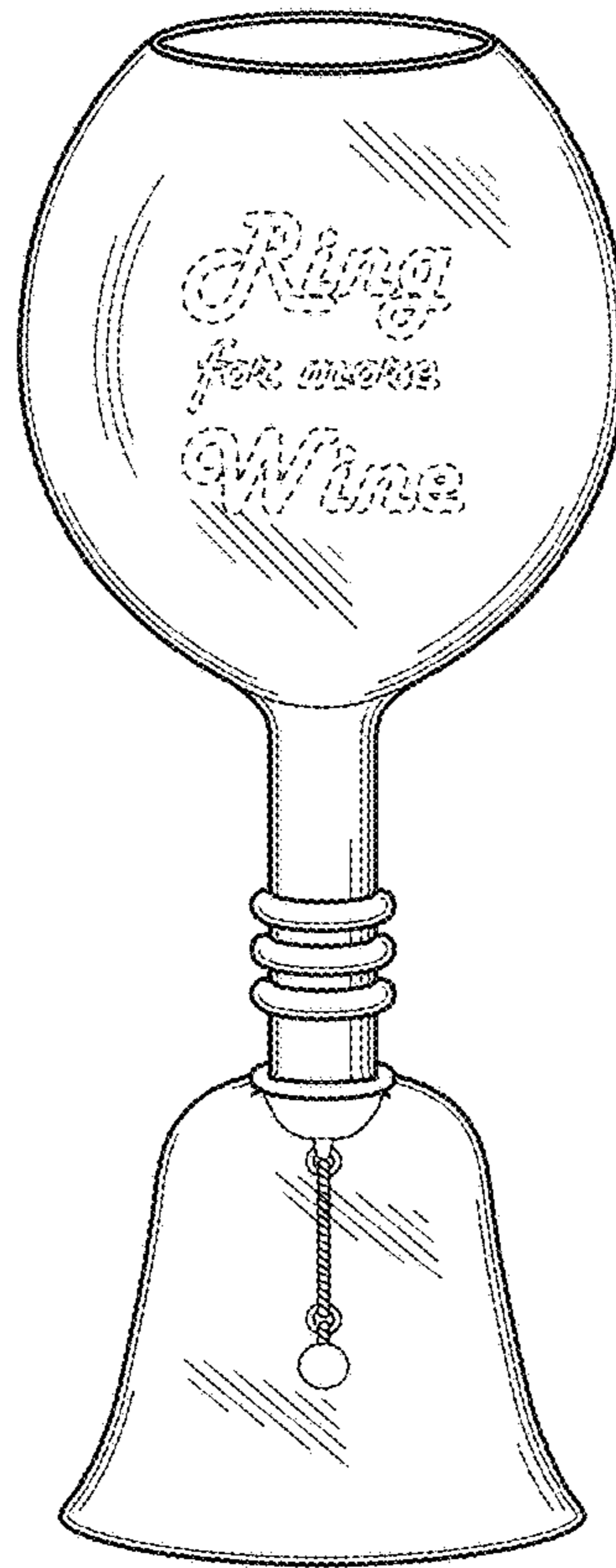


FIG. 1

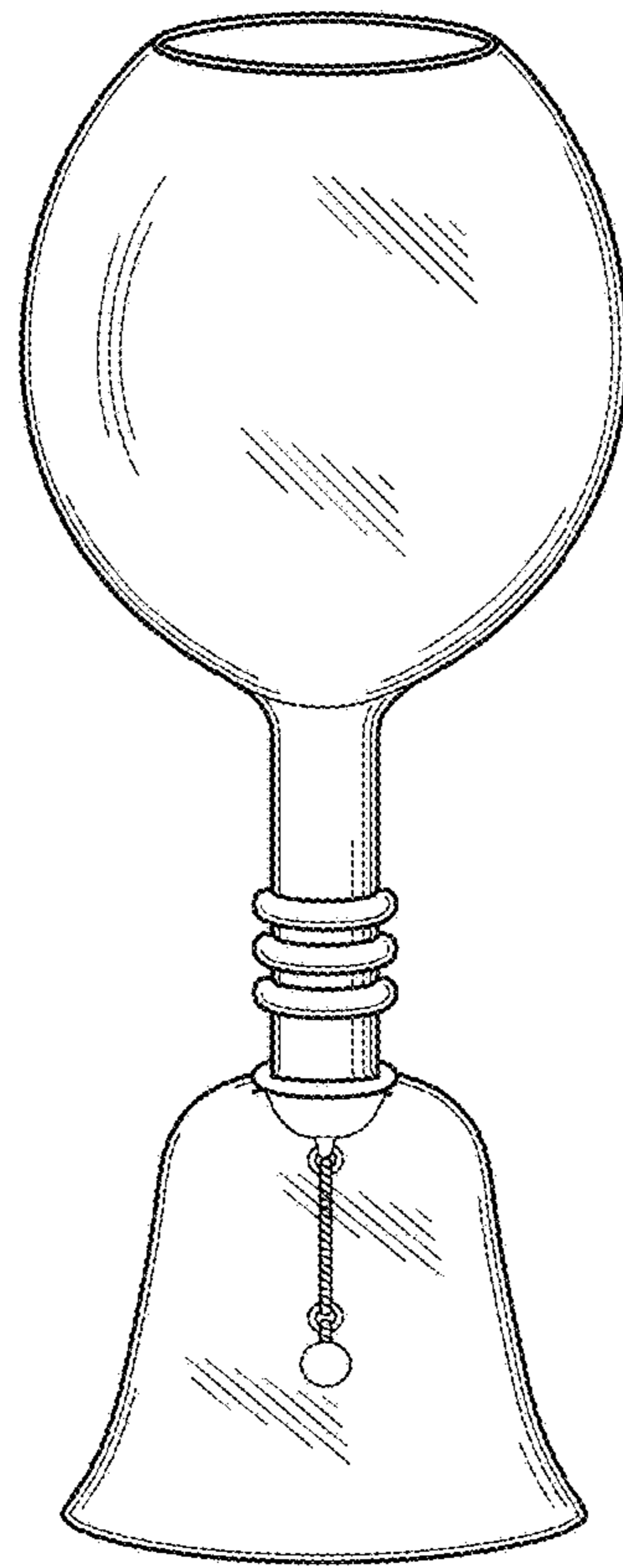


FIG. 2

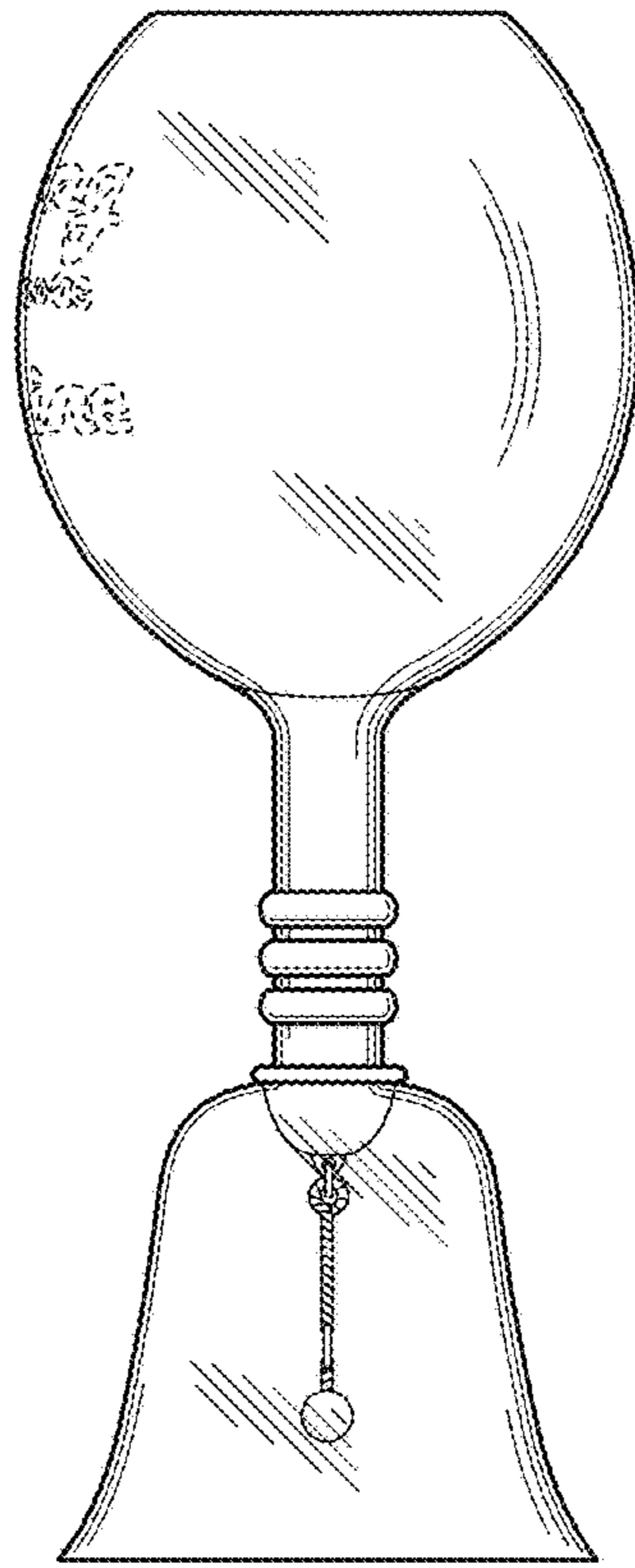


FIG. 3

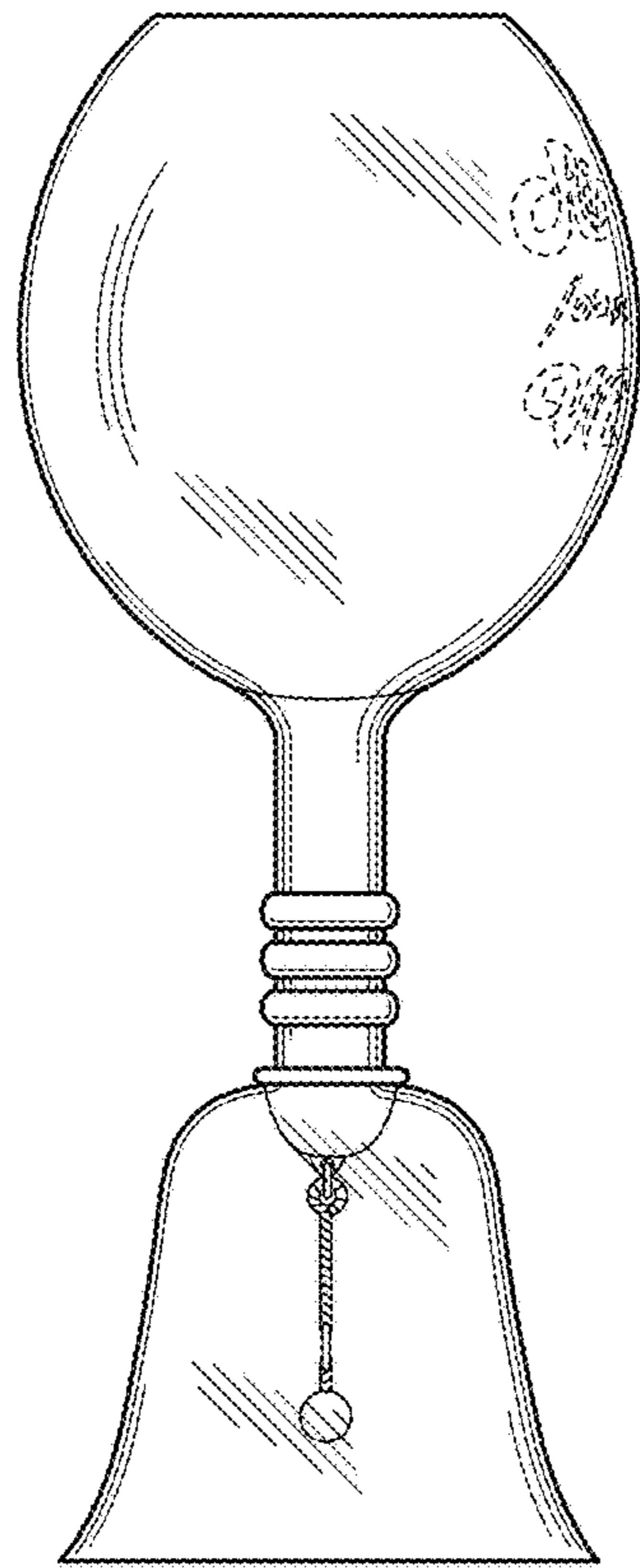


FIG. 4

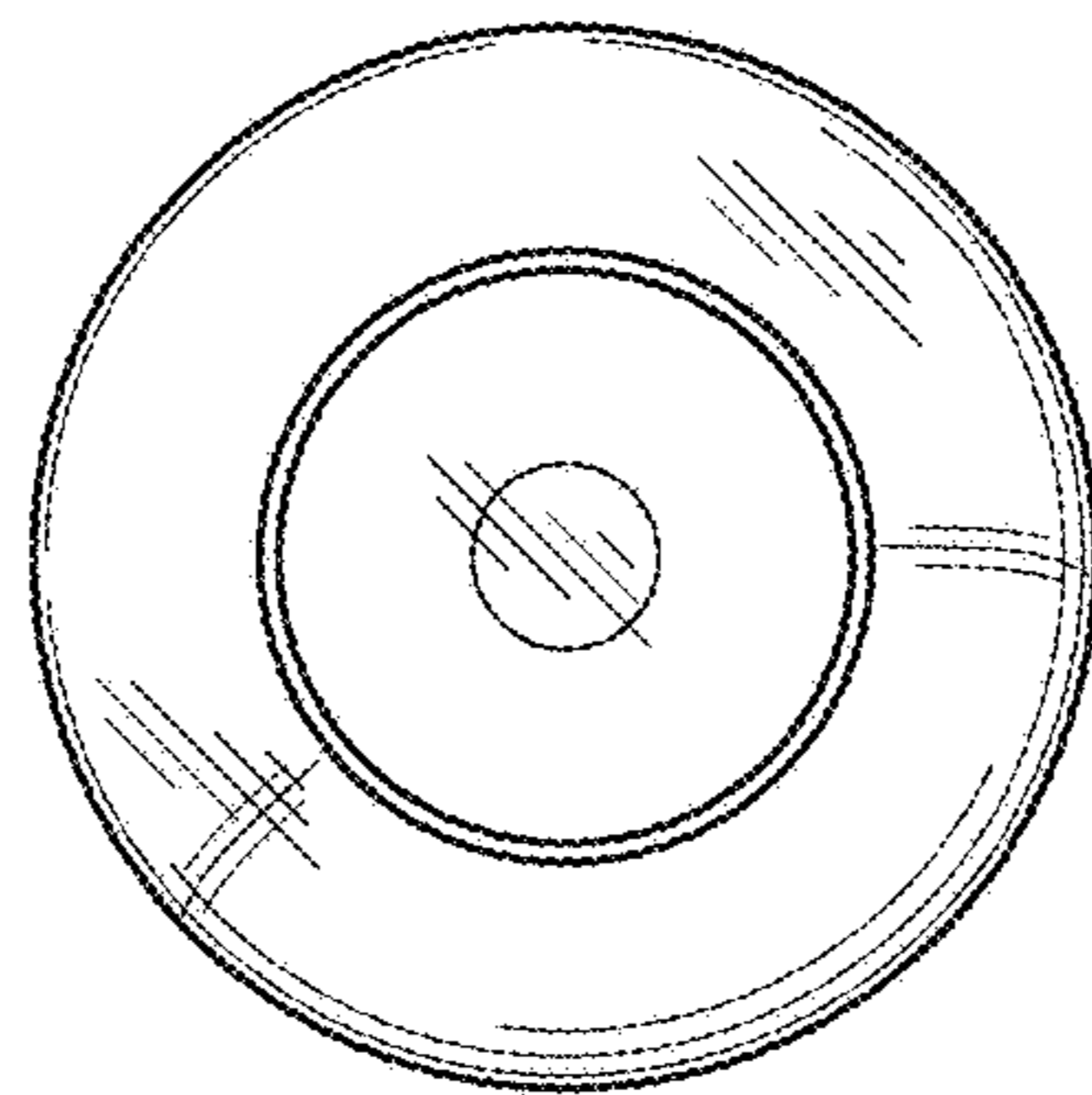


FIG. 5

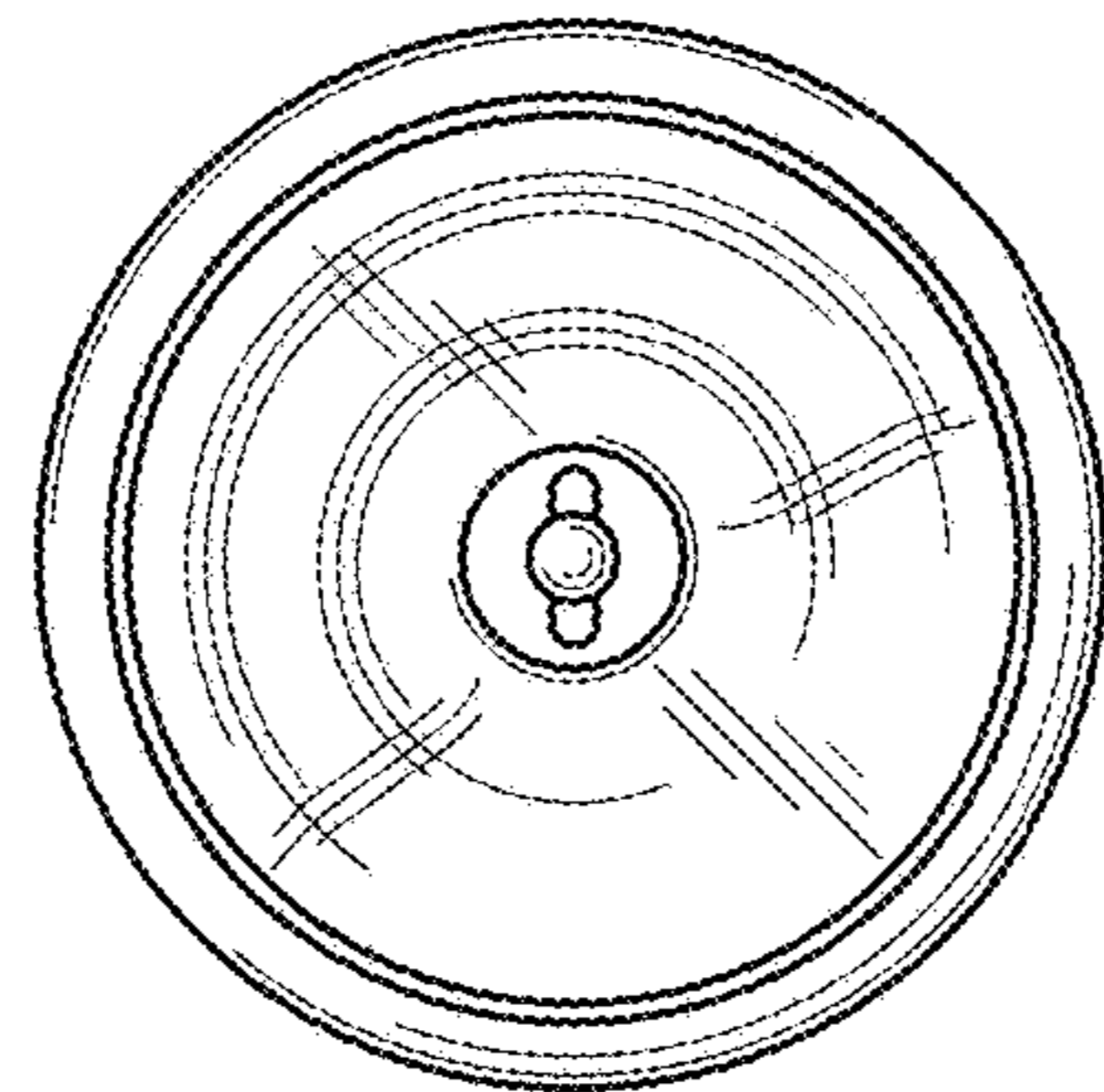


FIG. 6

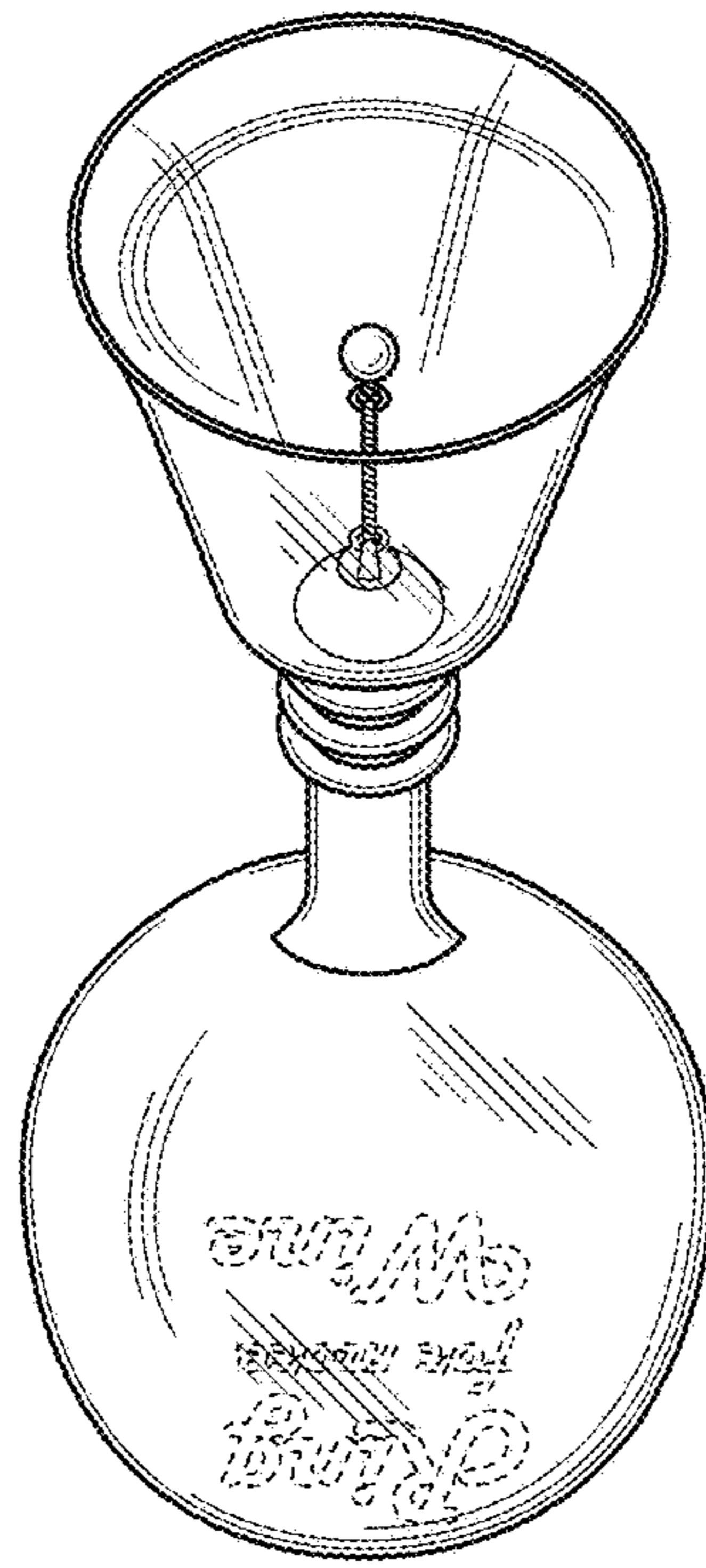


FIG. 7