



US00D847567S

(12) **United States Design Patent** (10) **Patent No.:** **US D847,567 S**
Grey et al. (45) **Date of Patent:** **** May 7, 2019**

(54) **GRIDDLE FOR A RANGE**

A47J 37/042; A47J 37/07; A47J 37/12;
A47J 37/129; A47J 37/1295

(71) Applicant: **BSH Home Appliances Corporation**,
Irvine, CA (US)

See application file for complete search history.

(72) Inventors: **Jonathan Grey**, Huntersville, NC (US);
Graham Sadtler, Huntington Beach,
CA (US)

(56) **References Cited**

U.S. PATENT DOCUMENTS

(73) Assignee: **BSH Home Appliances Corporation**,
Irvine, CA (US)

(**) Term: **15 Years**

(21) Appl. No.: **29/560,781**

(22) Filed: **Apr. 11, 2016**

3,317,709	A *	5/1967	Beasley	A47J 37/0676
					219/448.17
5,678,531	A *	10/1997	Byers	A47J 37/0704
					126/25 R
D524,094	S *	7/2006	Home	D7/340
D605,456	S *	12/2009	Bengtson	D7/340
D609,966	S *	2/2010	Bengtson	D7/405
D613,117	S *	4/2010	Richburg	D7/409
D614,915	S *	5/2010	Schnitman	D7/409
D615,800	S *	5/2010	Grey	D7/340
D615,801	S *	5/2010	Grey	D7/346
D616,696	S *	6/2010	Grey	D7/346
D656,776	S *	4/2012	Funnell, II	D7/340
D669,728	S *	10/2012	Funnell, II	D7/340
D669,729	S *	10/2012	Funnell, II	D7/340

(Continued)

Related U.S. Application Data

(62) Division of application No. 29/536,196, filed on Aug. 14, 2015, now Pat. No. Des. 760,024, which is a division of application No. 29/504,223, filed on Oct. 3, 2014, now Pat. No. Des. 742,688, which is a division of application No. 29/472,345, filed on Nov. 12, 2013, now Pat. No. Des. 721,919, which is a division of application No. 29/450,599, filed on Mar. 20, 2013, now Pat. No. Des. 701,074, which is a division of application No. 29/426,480, filed on Jul. 6, 2012, now Pat. No. Des. 682,602, which is a division of application No. 29/398,035, filed on Jul. 26, 2011, now Pat. No. Des. 669,729.

Primary Examiner — Shery Lane

Assistant Examiner — Nicole C Shiflet

(74) *Attorney, Agent, or Firm* — Michael E. Tschupp;
Andre Pallapies; Brandon G. Braun

(51) **LOC (11) Cl.** **07-02**

(52) **U.S. Cl.**
USPC **D7/409**

(58) **Field of Classification Search**
USPC D7/387, 402–409, 393, 394, 323, 331,
D7/332–337, 339, 340, 346–349, 351,
D7/354, 358
CPC F24C 15/36; F24C 15/107; F24C 15/024;
F24C 3/08; F24C 3/124; F24C 7/08;
F24C 7/081; F24C 7/082; F24C 7/087;

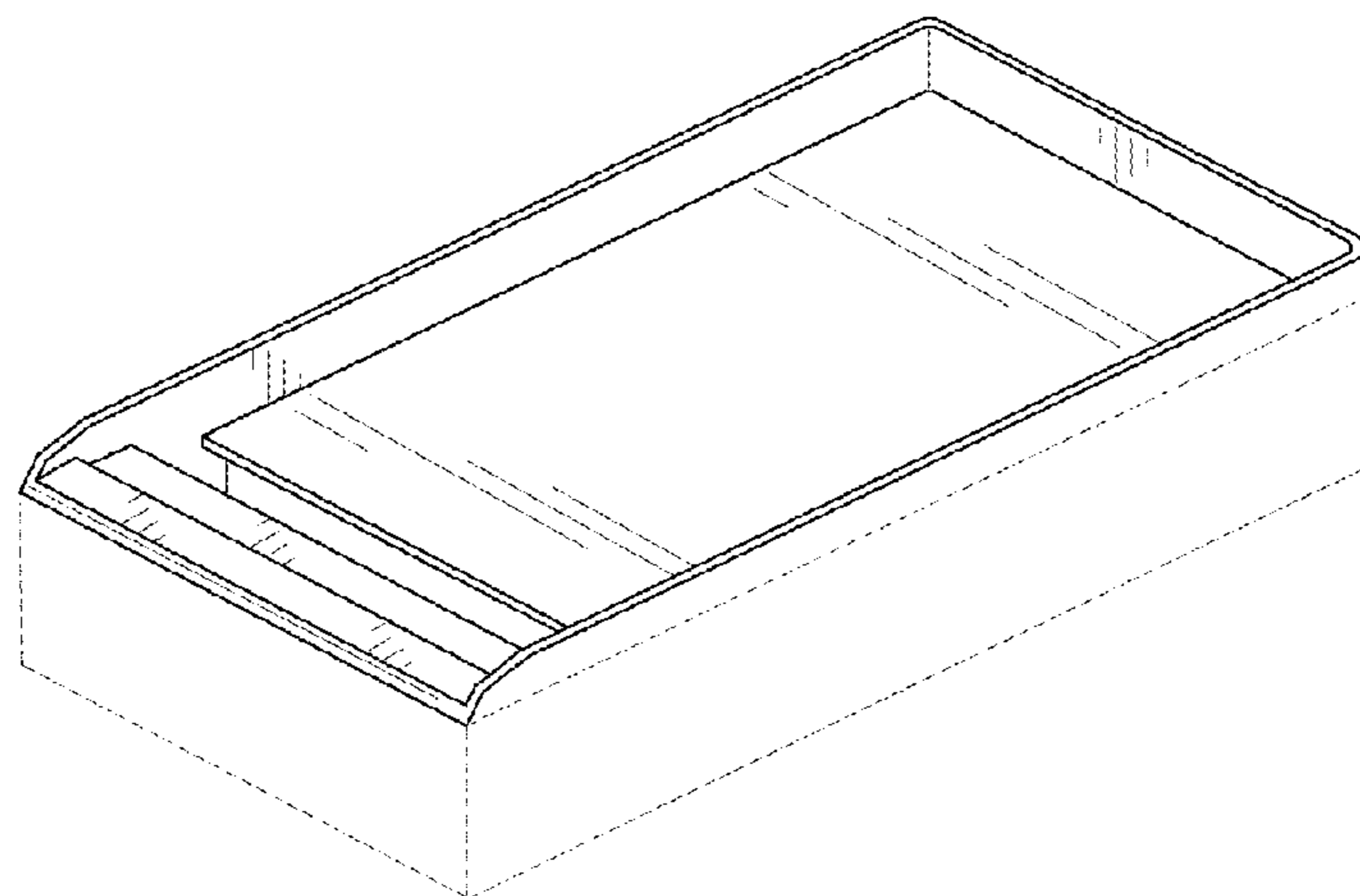
(57) **CLAIM**

The ornamental design for a griddle for a range, as shown and described.

DESCRIPTION

FIG. 1 is a front perspective view of a griddle for a range according to our new ornamental design; FIG. 2 is a front view thereof; and, FIG. 3 is a top view thereof. The broken lines represent environment or structure of the kitchen appliance and do not form any part of the claimed design.

1 Claim, 1 Drawing Sheet



(56)

References Cited

U.S. PATENT DOCUMENTS

D670,969 S	*	11/2012	Bengtson	D7/406
D676,721 S	*	2/2013	Button	D7/698
D682,602 S	*	5/2013	Funnell, II	D7/340
D701,074 S	*	3/2014	Funnell, II	D7/340
D817,710 S	*	5/2018	Kim	D7/409
D824,197 S	*	7/2018	Kim	D7/340
D825,249 S	*	8/2018	Kang	D7/340

* cited by examiner

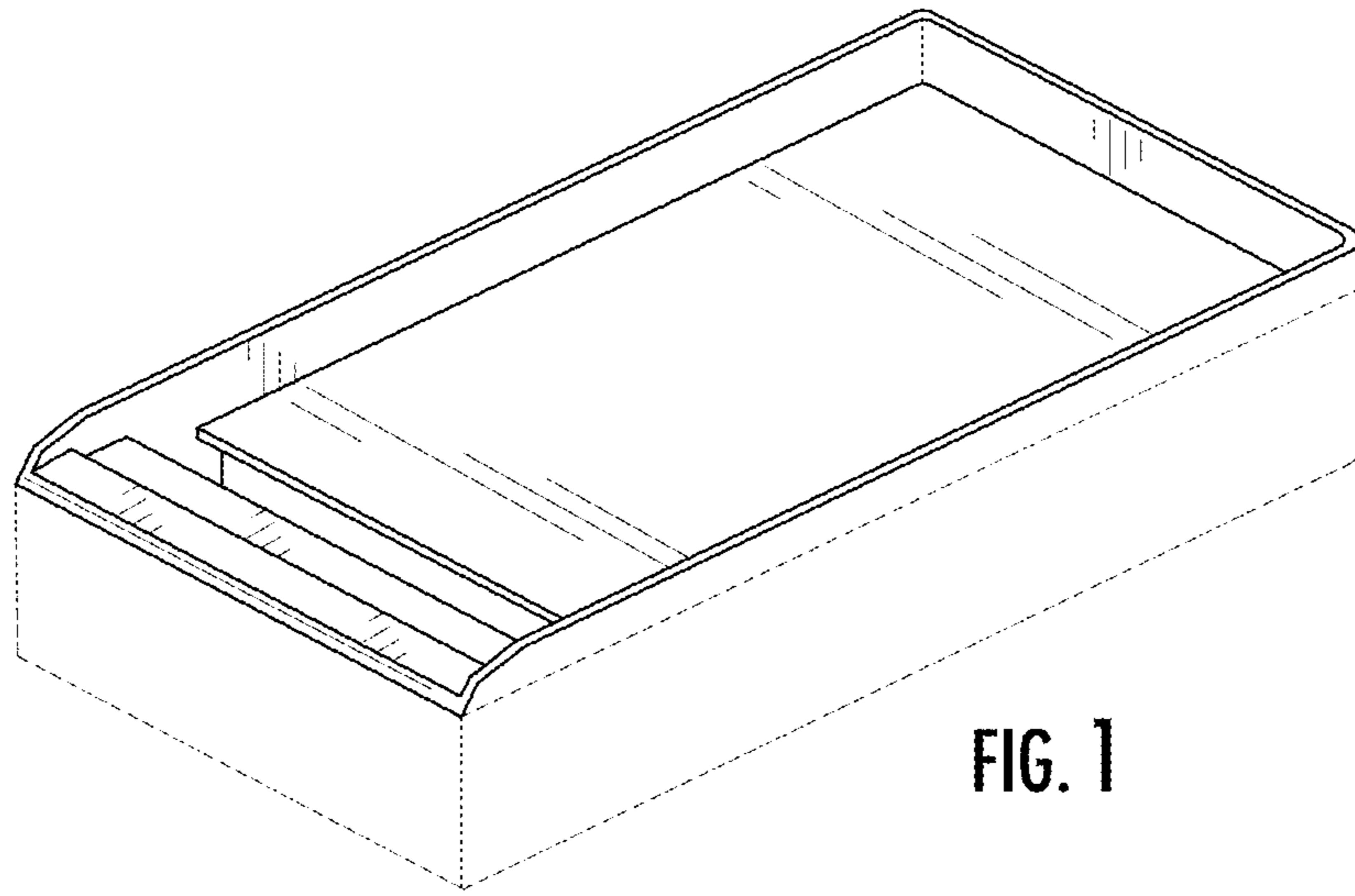


FIG. 1

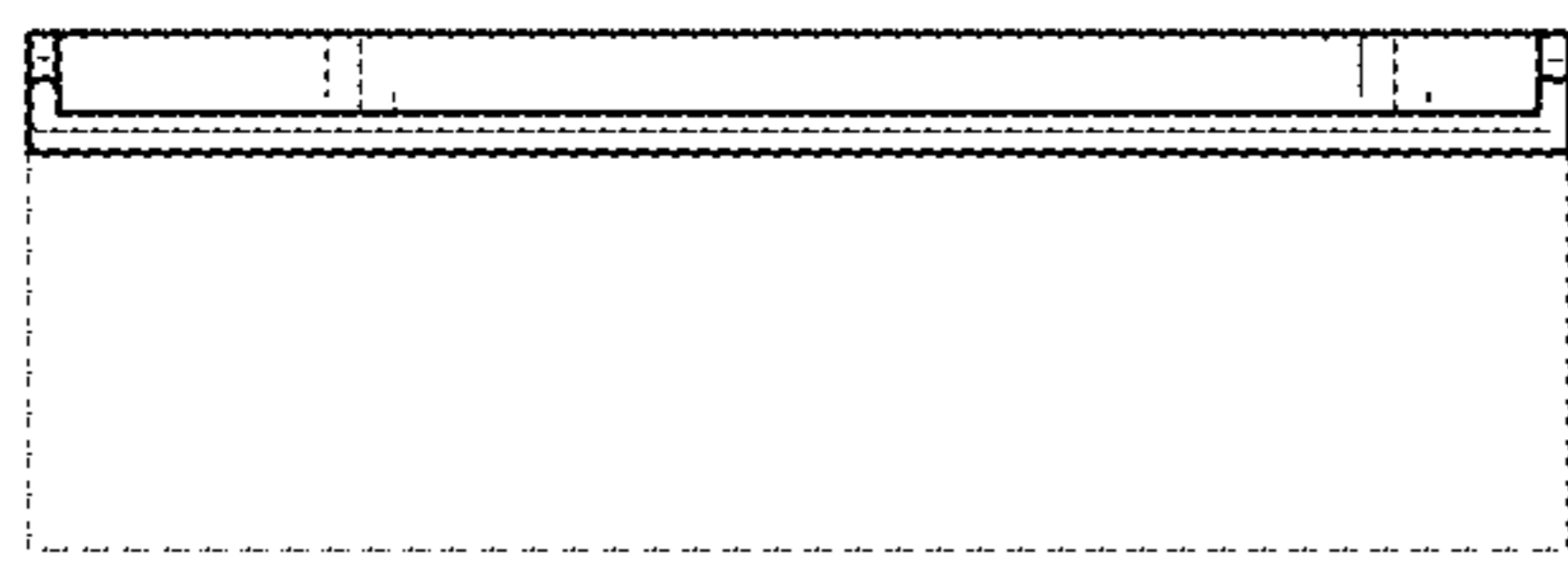


FIG. 2

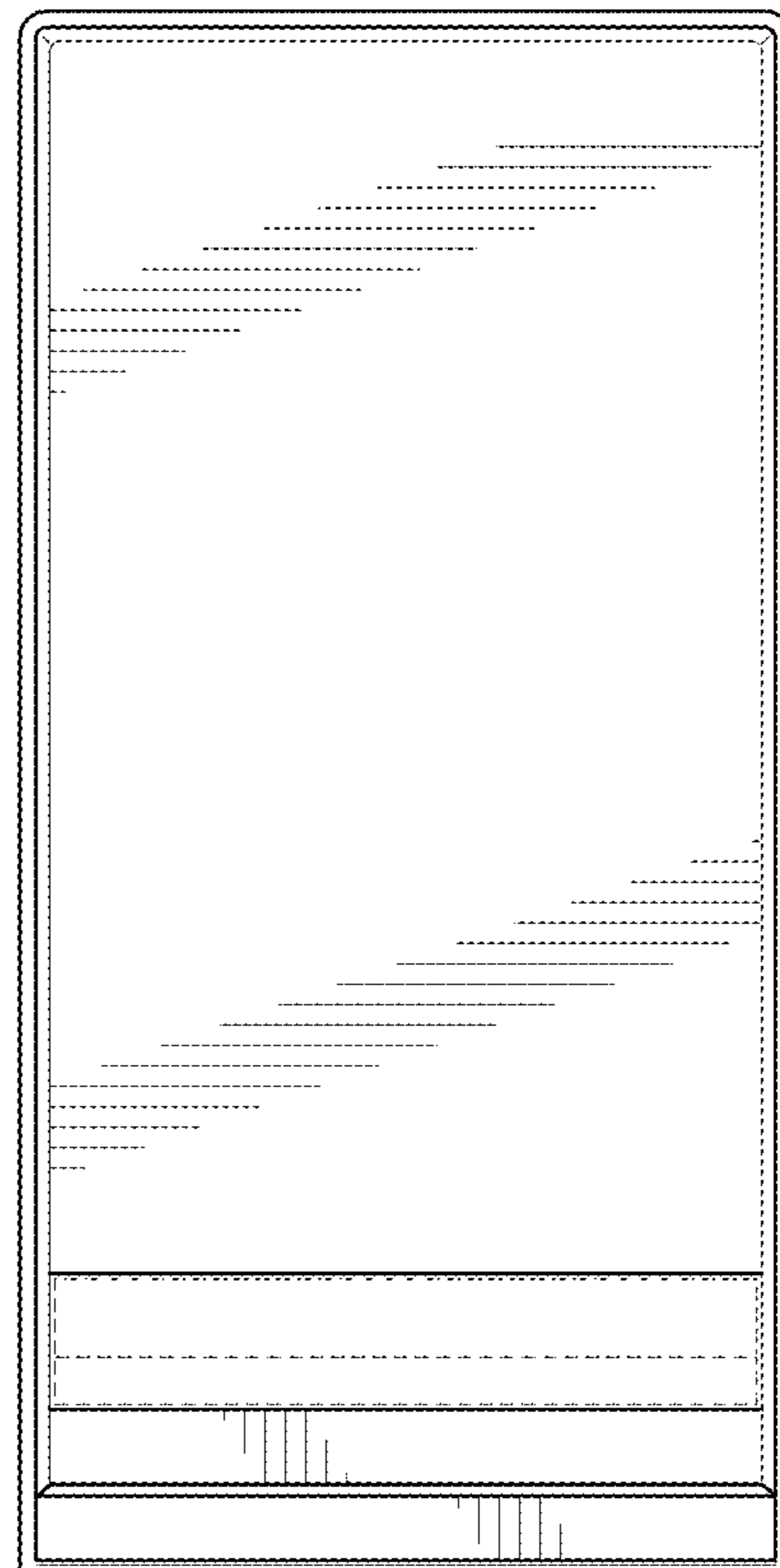


FIG. 3