



US00D847564S

(12) **United States Design Patent**  
**Best**

(10) **Patent No.:** **US D847,564 S**

(45) **Date of Patent:** **\*\* May 7, 2019**

(54) **BREW FILTER**

(71) Applicant: **Kirsten Best**, San Diego, CA (US)

(72) Inventor: **Kirsten Best**, San Diego, CA (US)

(\*\*) Term: **15 Years**

(21) Appl. No.: **29/627,935**

(22) Filed: **Nov. 30, 2017**

(51) **LOC (11) Cl.** ..... **07-99**

(52) **U.S. Cl.**  
USPC ..... **D7/400**

(58) **Field of Classification Search**  
USPC ..... D3/304; D7/400, 401, 399, 667;  
D23/209, 261

CPC ..... A47J 47/00; A47J 31/44; B65B 39/00;  
B65B 39/02; B67C 11/00; B67C 11/02

See application file for complete search history.

(56) **References Cited**

**U.S. PATENT DOCUMENTS**

- 2,257,944 A \* 10/1941 Fischbein ..... A47J 31/06  
210/497.3
- D764,864 S \* 8/2016 Hertaus ..... D7/400

- 9,493,332 B2 \* 11/2016 Kraft ..... B67C 11/02
- D790,915 S \* 7/2017 Yeh ..... D7/400
- D791,535 S \* 7/2017 Yeh ..... D7/400
- D803,620 S \* 11/2017 Yeh ..... D7/400
- D809,338 S \* 2/2018 Mikami ..... D7/400
- 2013/0313291 A1 \* 11/2013 Gascoine ..... B65D 1/0223  
222/460

\* cited by examiner

*Primary Examiner* — Derrick E Holland

*Assistant Examiner* — Andrew Kerr

(57) **CLAIM**

The ornamental design for a brew filter, as shown and described.

**DESCRIPTION**

FIG. 1 illustrates a perspective view of a brew filter, showing my new design;

FIG. 2 illustrates a front view thereof;

FIG. 3 illustrates a rear view thereof;

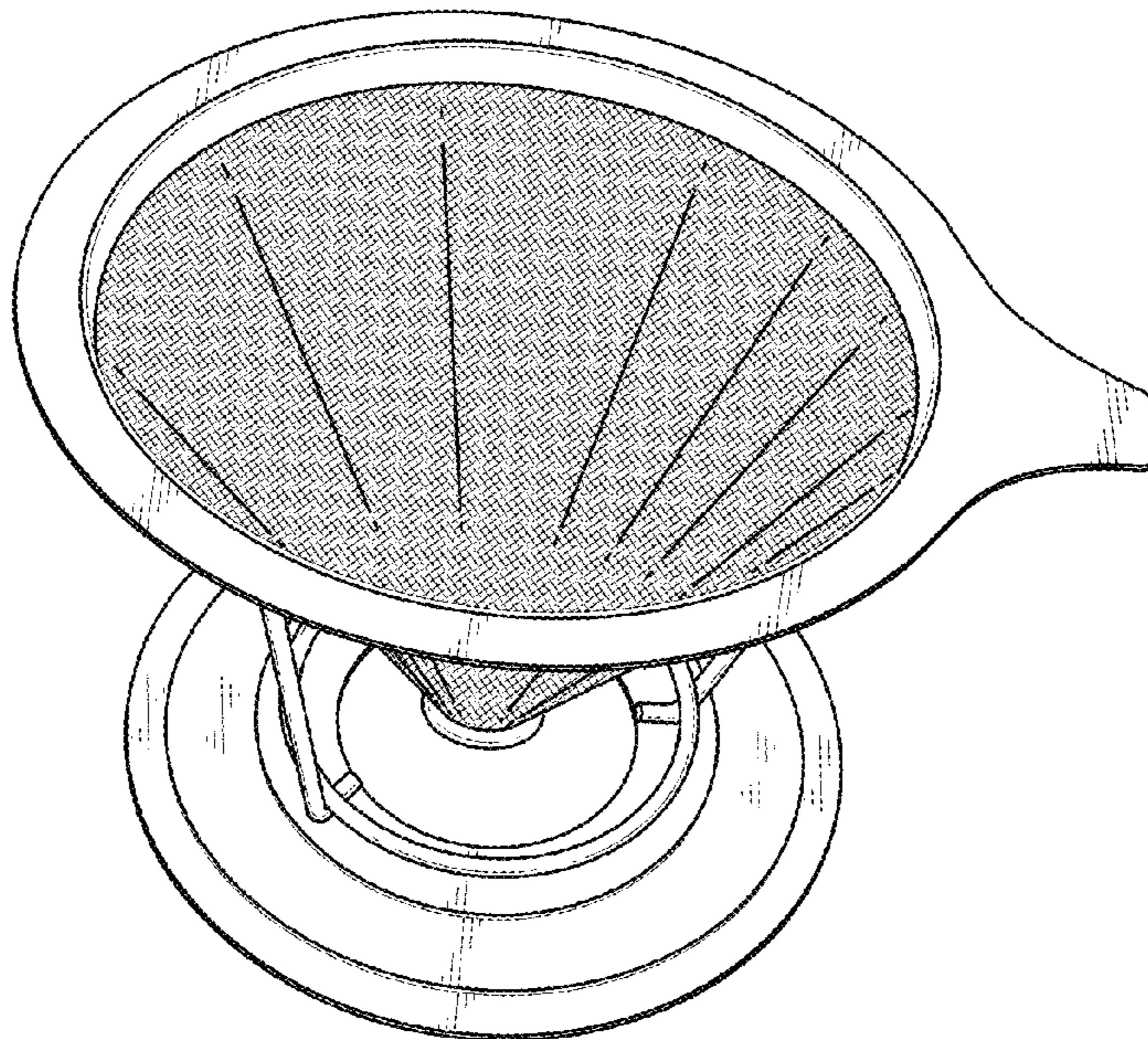
FIG. 4 illustrates a left side view thereof;

FIG. 5 illustrates a right side view thereof;

FIG. 6 illustrates a top view thereof; and,

FIG. 7 illustrates a bottom view thereof.

**1 Claim, 7 Drawing Sheets**



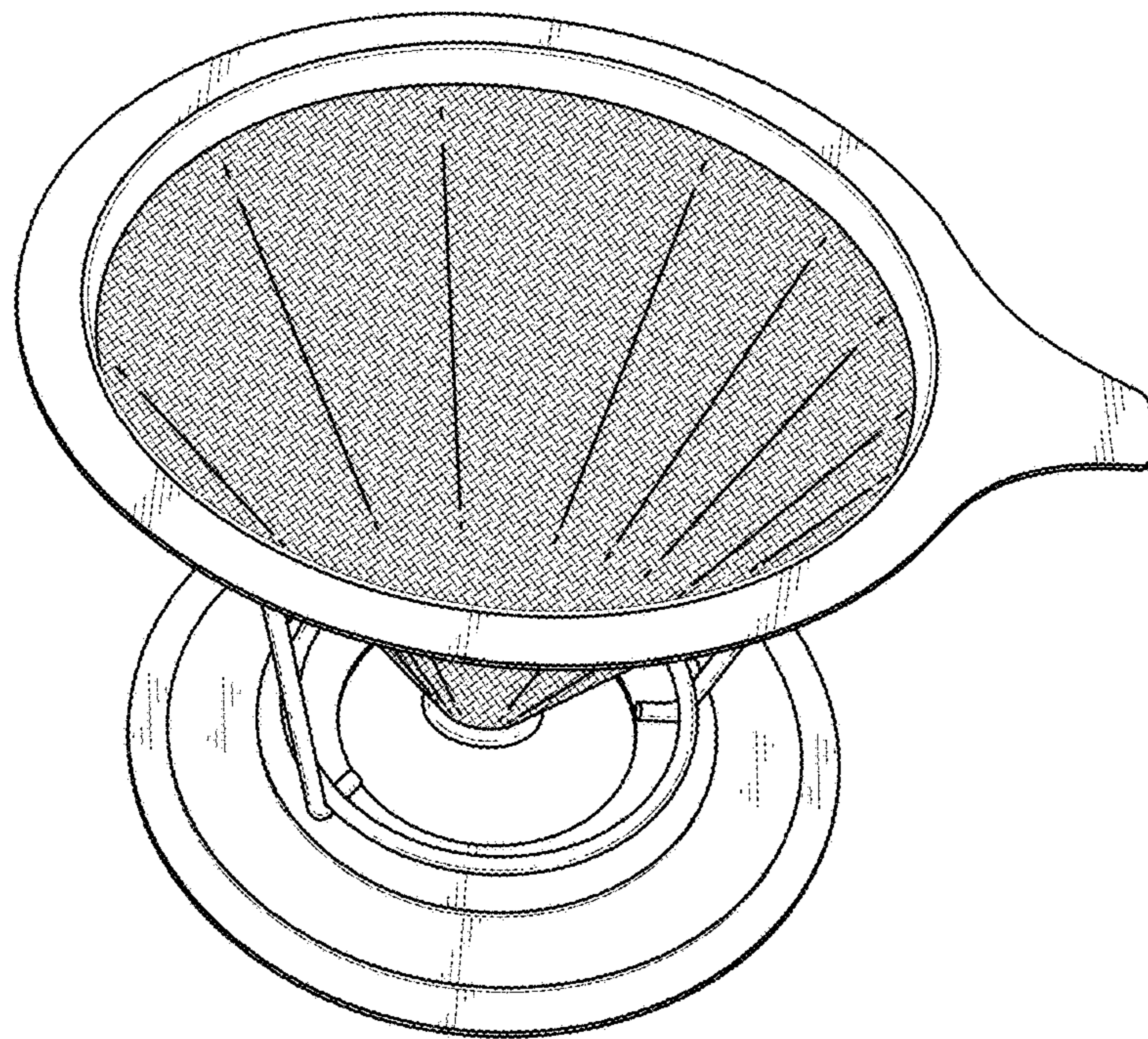


FIG. 1

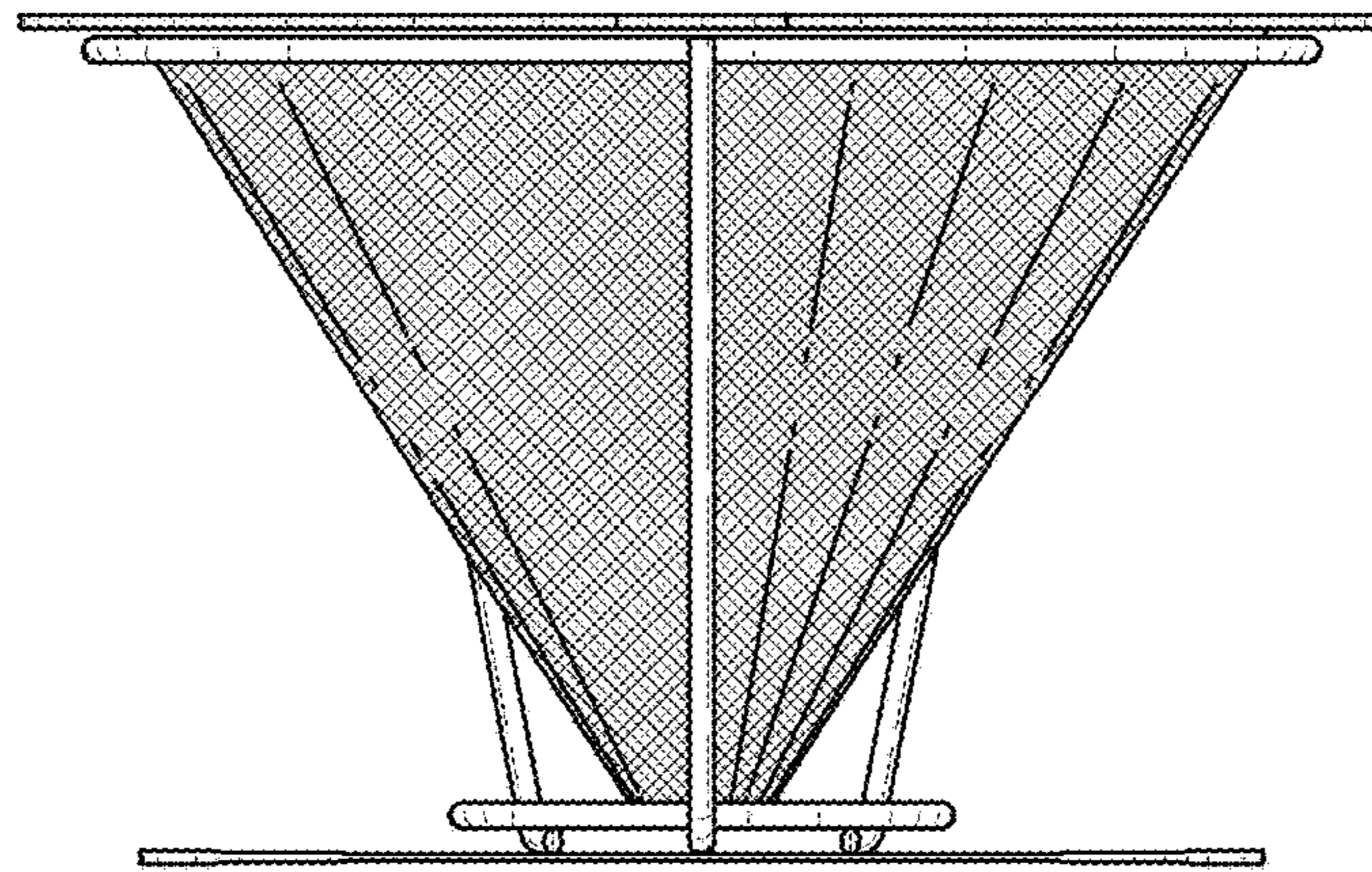


FIG. 2

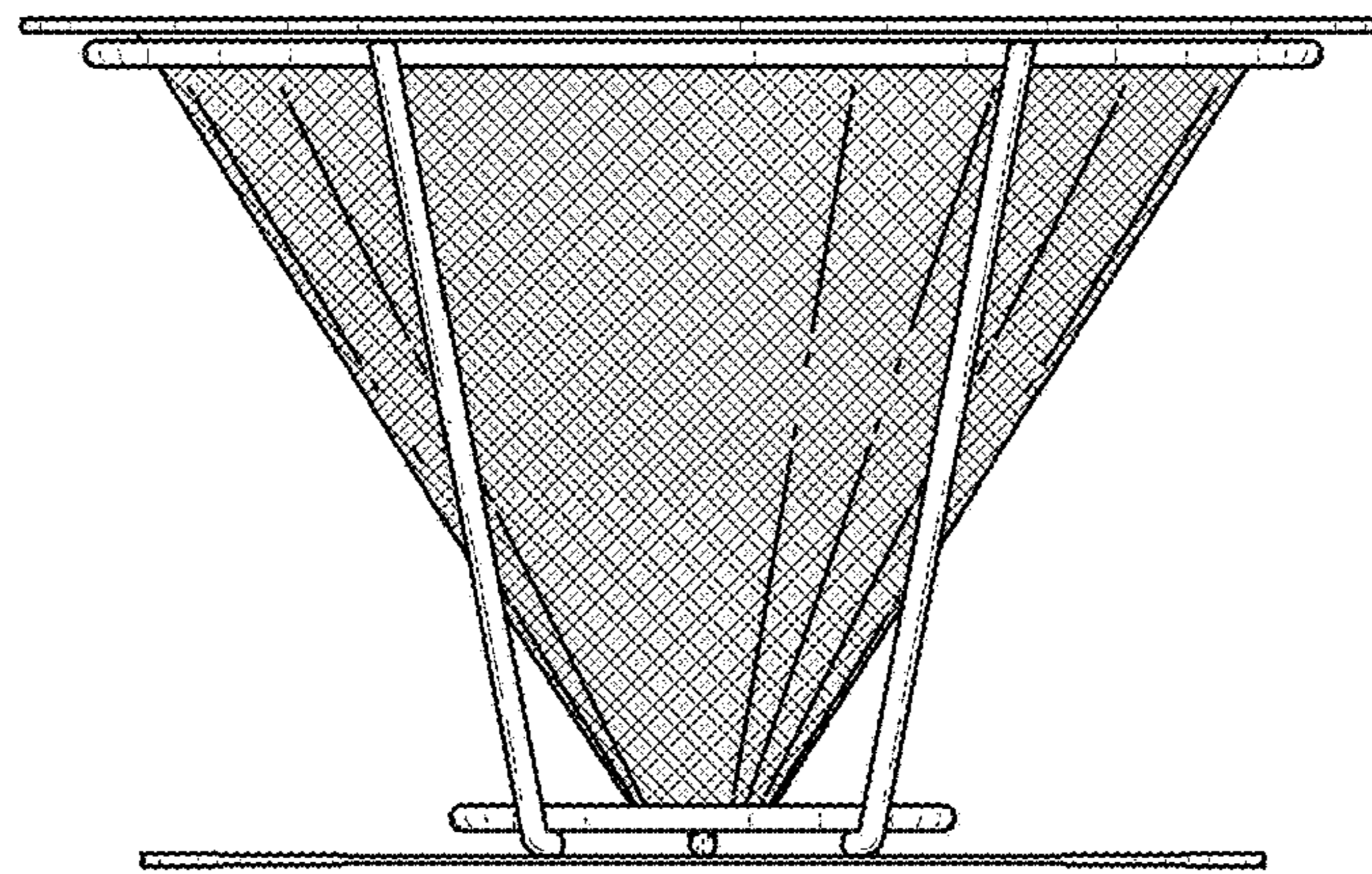


FIG. 3

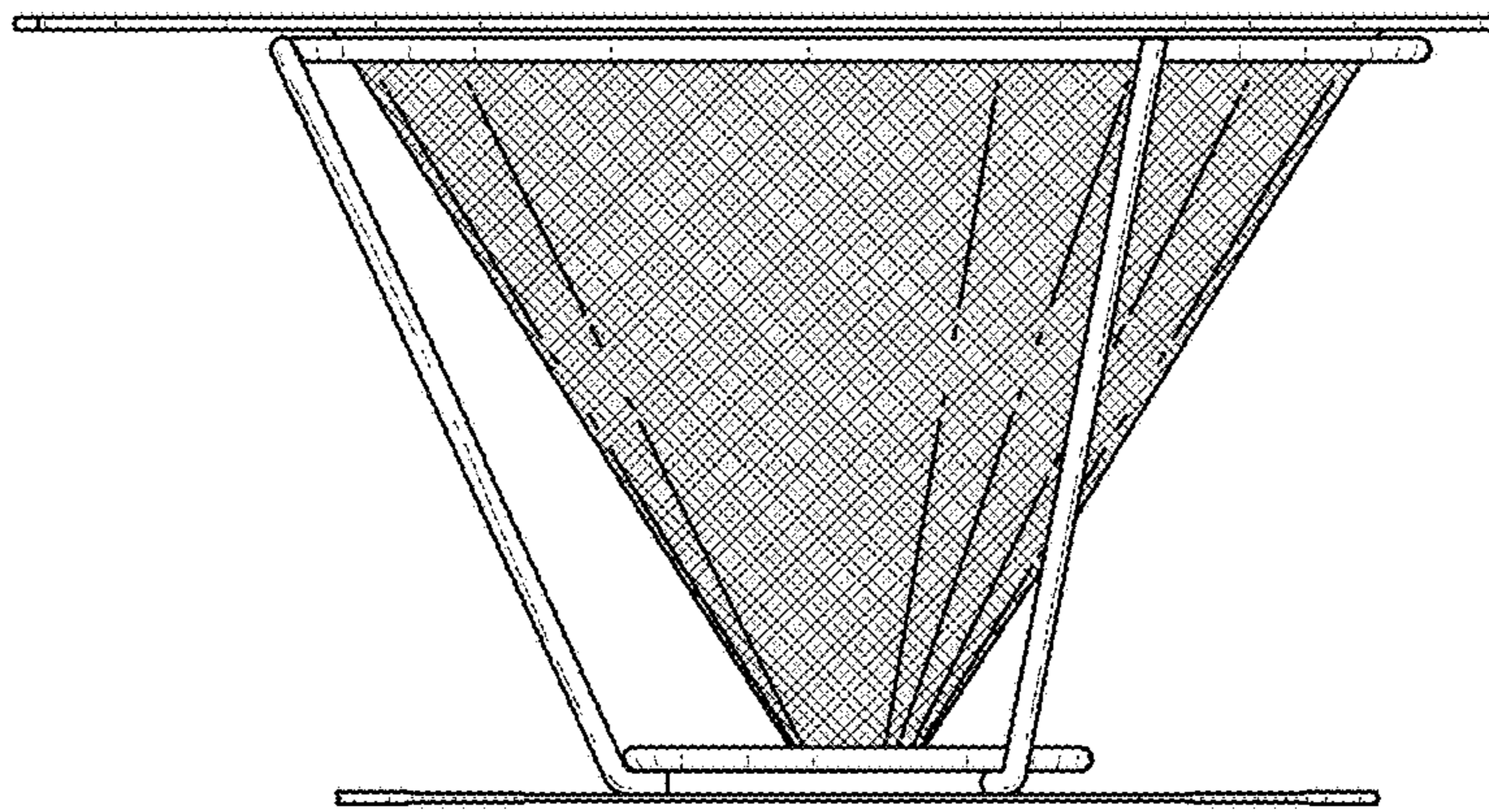


FIG. 4

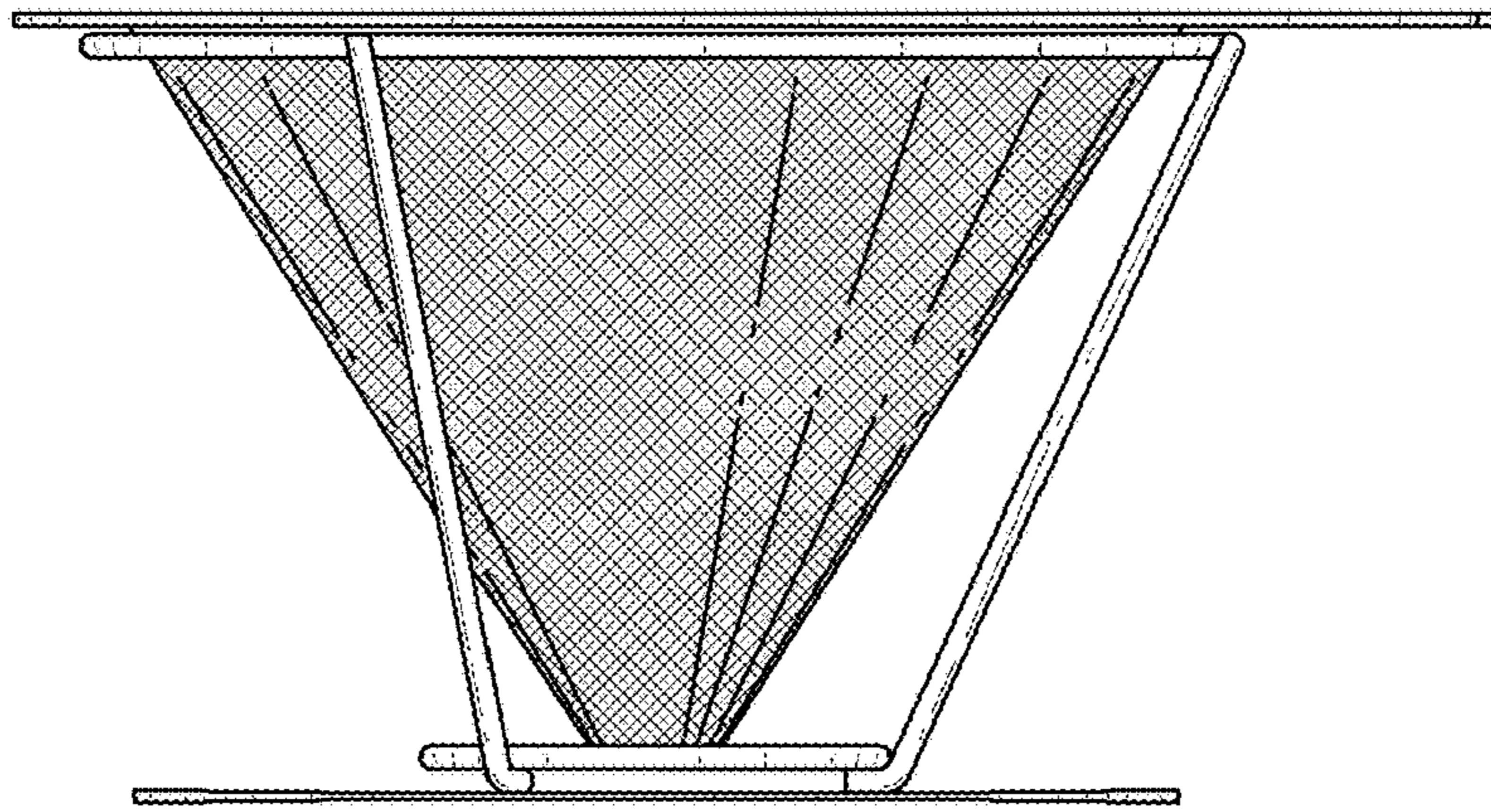


FIG. 5

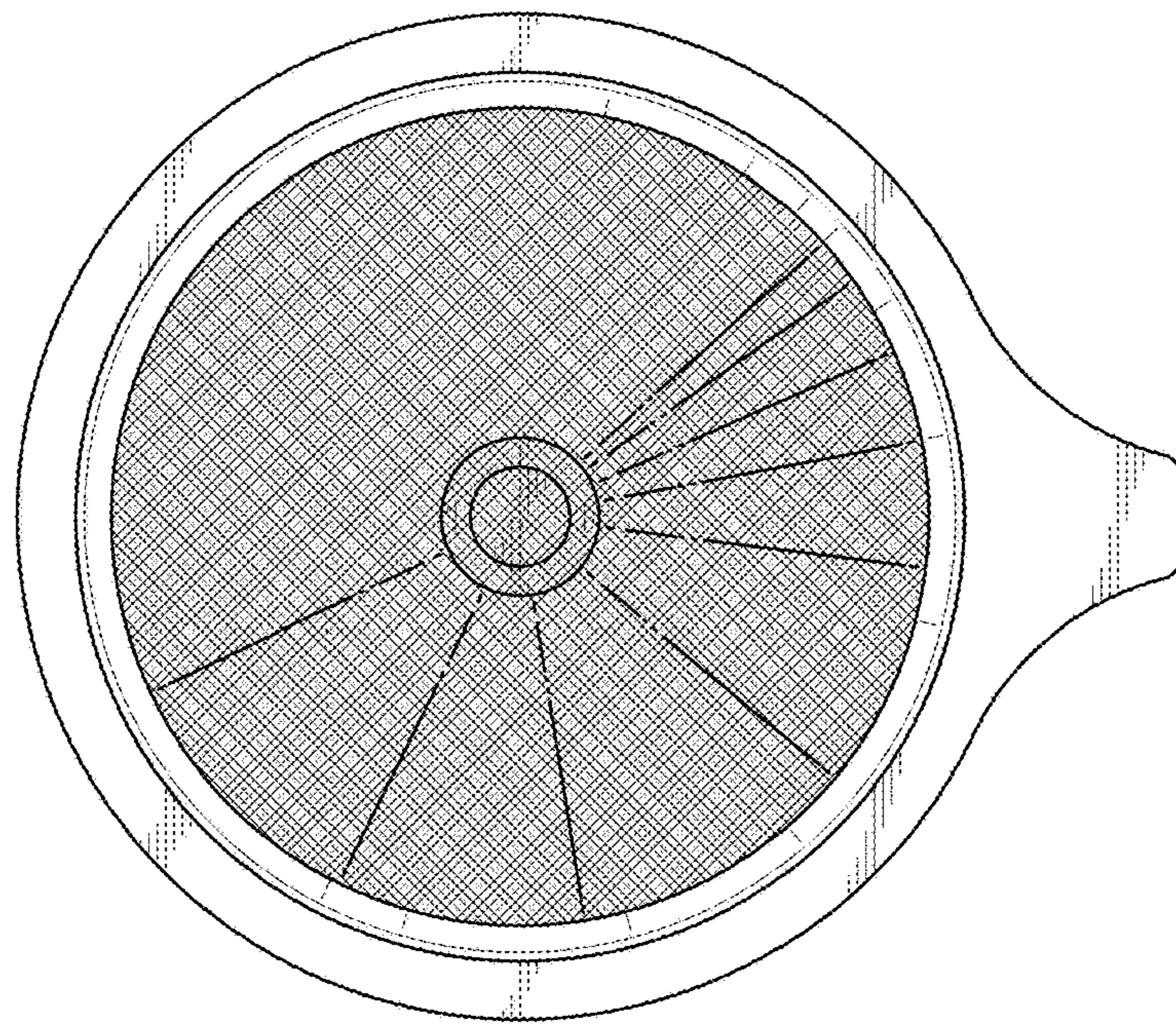


FIG. 6

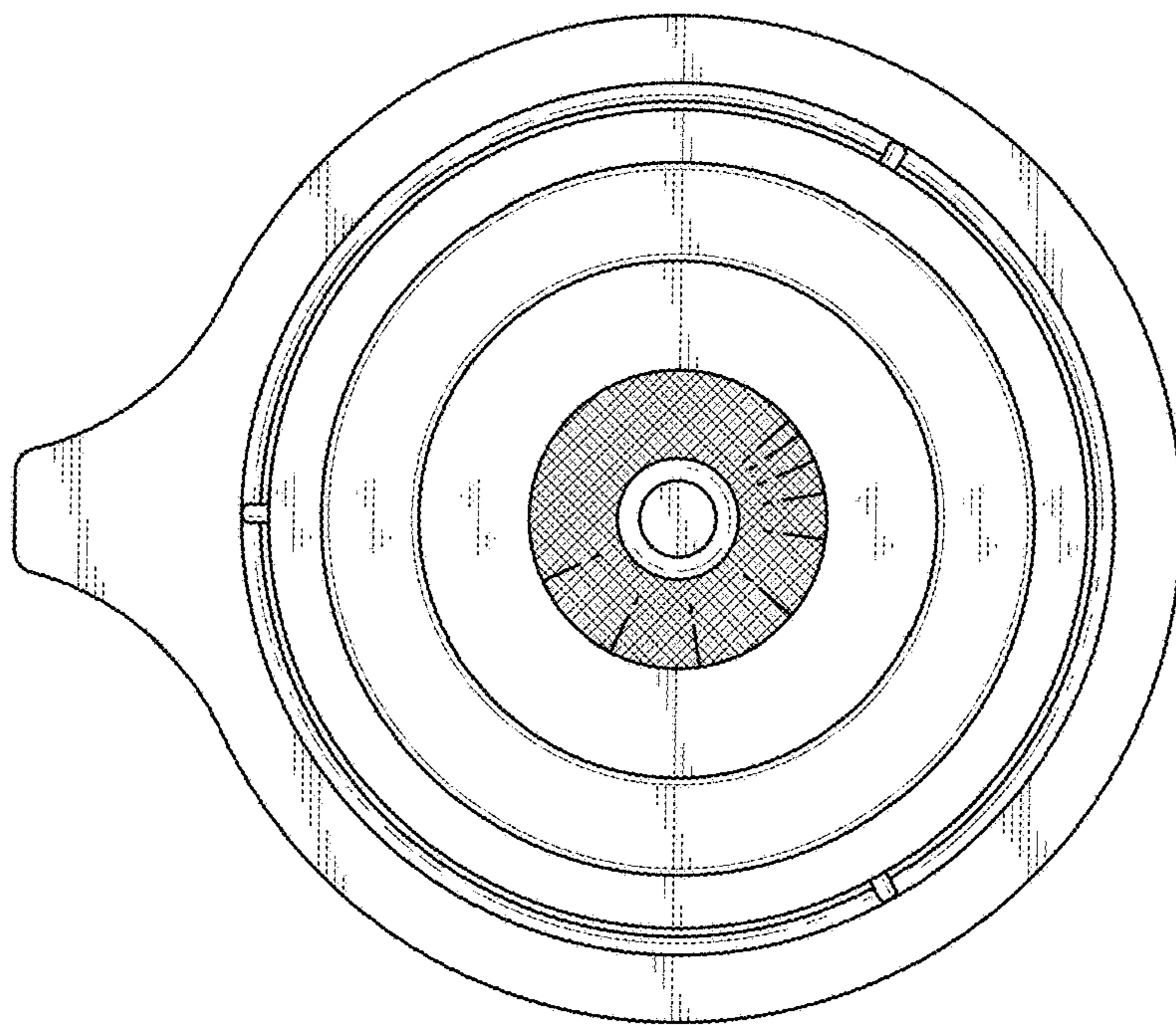


FIG. 7