



US00D847563S

(12) **United States Design Patent**
Jacobsen

(10) **Patent No.:** **US D847,563 S**

(45) **Date of Patent:** **** May 7, 2019**

(54) **LID WITH HANDLE**

B65D 1/165; B65D 1/0207; B65D
1/0246; A45F 3/18

See application file for complete search history.

(71) Applicant: **RTIC IP, LLC**, Houston, TX (US)

(72) Inventor: **James Matthew Jacobsen**, Houston,
TX (US)

(73) Assignee: **RTIC IP, LLC**, Houston, TX (US)

(**) Term: **15 Years**

(21) Appl. No.: **29/614,784**

(22) Filed: **Aug. 23, 2017**

(51) **LOC (11) Cl.** **07-99**

(52) **U.S. Cl.**
USPC **D7/396.2**

(58) **Field of Classification Search**
USPC D3/202; D7/323, 254, 391, 392, 392.1,
D7/503, 552.1, 553.1, 553.2, 554, 589,
D7/600.1, 602, 614, 704, 396.1, 396.2,
D7/396, 401.1, 509, 510, 511, 523, 525,
D7/526, 527, 536, 538, 90; D9/434, 435,
D9/436, 437, 438, 439, 440, 442, 443,
D9/445, 446, 447, 449, 450, 452, 453,
D9/454, 499, 686, 688, 690, 708, 709,
D9/723, 724, 763, 772
CPC A47G 19/00; A47G 19/2272; A47G
19/2266; A47G 19/2288; A47G 21/18;
B65D 43/02; B65D 43/16; B65D 43/22;
B65D 43/26; B65D 47/0885; B65D
47/08; B65D 51/212; B65D 51/18; B65D
51/04; B65D 51/24; B65D 51/224; B65D
43/0202; B65D 47/265; B65D 21/0217;
B65D 2101/0015; B65D 2251/0093;

(56) **References Cited**

U.S. PATENT DOCUMENTS

D508,185 S * 8/2005 Gauss D7/392.1
D543,454 S * 5/2007 Leoncavallo D9/449
D547,607 S * 7/2007 Forsman D7/396.2

(Continued)

OTHER PUBLICATIONS

RTIC Sport Lid: Announced Nov. 26, 2016. Site Visited [Jul. 11,
2018]. Available from Internet URL: [https://www.rticcoolers.com/
shop/accessories/Bottle-Sport-Lid.*](https://www.rticcoolers.com/shop/accessories/Bottle-Sport-Lid.*)

(Continued)

Primary Examiner — Jennifer Rivard
Assistant Examiner — Catherine S Posthauer

(74) *Attorney, Agent, or Firm* — Fish & Richardson P.C.

(57) **CLAIM**

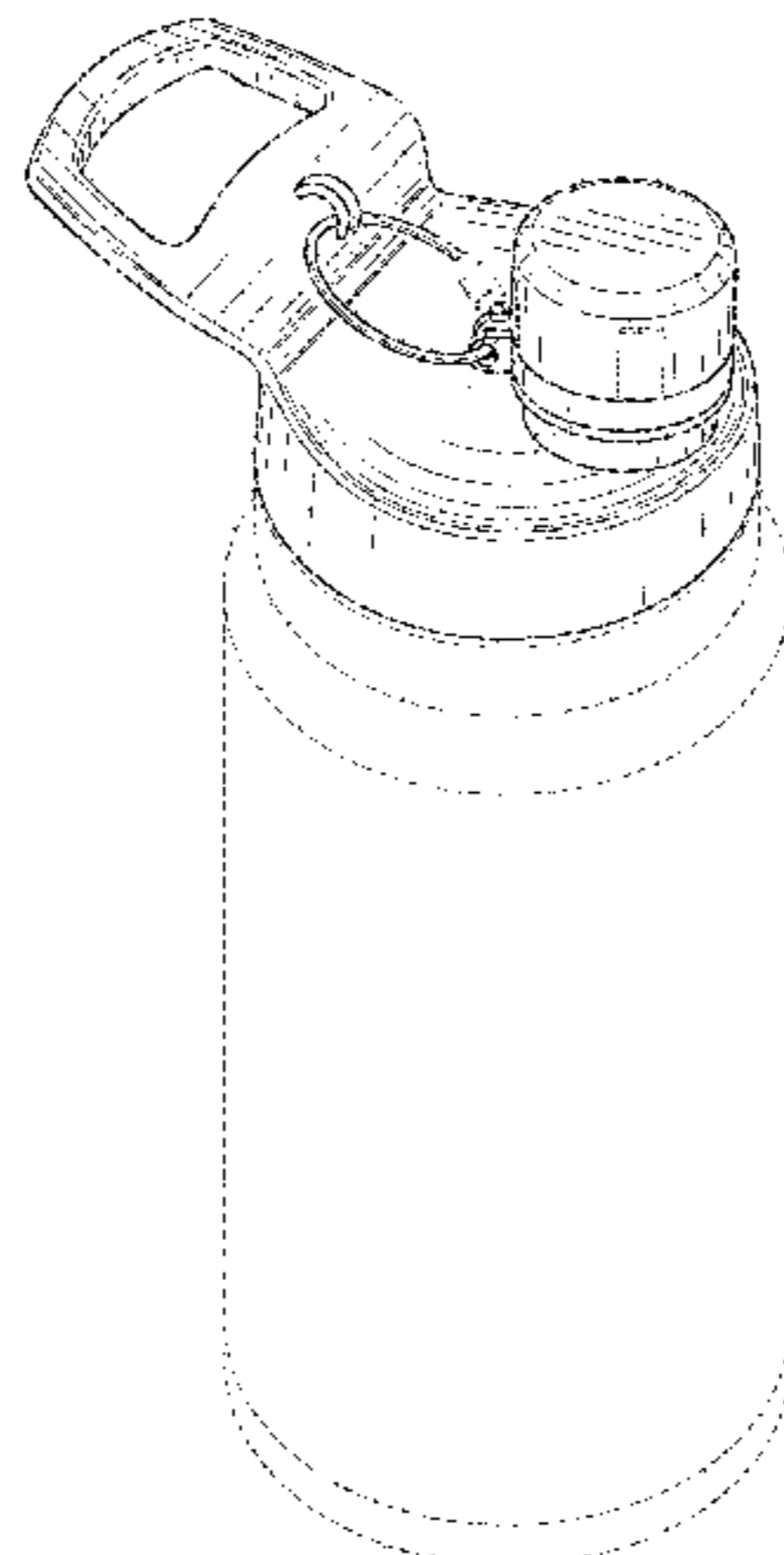
The ornamental design for a lid with a handle, as shown and
described.

DESCRIPTION

FIG. 1 is a perspective view of a lid with handle, showing
my new design, in a position of use with an exemplary
tumbler, with a cap in a closed position;
FIG. 2 is a perspective view thereof, with the cap in an open
position;
FIG. 3 is a front view of the lid with handle, with the
exemplary tumbler removed for clarity of disclosure, and
with the cap in a closed position;
FIG. 4 is a rear view thereof;
FIG. 5 is a right side view thereof;
FIG. 6 is a left side view thereof;
FIG. 7 is a top plan view thereof; and,
FIG. 8 is a bottom view thereof.

The surface shading and contour lines shown in the draw-
ings represent the three dimensional character and contour

(Continued)



of the article, and are not intended to illustrate material, surface ornamentation or surface decoration.

The broken lines are shown for the purpose of illustrating environmental subject matter of an exemplary tumbler, and parts of the article, none of which form part of the claim.

1 Claim, 6 Drawing Sheets

(56)

References Cited

U.S. PATENT DOCUMENTS

D634,972	S	*	3/2011	Staton	D7/392.1
D657,994	S	*	4/2012	Wahl	D7/392
D682,612	S	*	5/2013	Rzepecki	D7/392.1
D702,489	S	*	4/2014	Steel	D7/392
D707,124	S	*	6/2014	Blain	D9/443
D716,657	S	*	11/2014	Caneer	D9/443
D719,780	S	*	12/2014	Sullivan	D7/392.1
D721,276	S	*	1/2015	Herbst	D7/396.2
D742,230	S	*	11/2015	Charles	D7/396.2
D745,827	S	*	12/2015	Sorensen	D7/392.1
D747,624	S	*	1/2016	Walker	D7/392.1
D748,430	S	*	2/2016	Sorensen	D7/392.1
D748,943	S	*	2/2016	Miller	D7/392.1
D756,702	S	*	5/2016	Joseph	D7/392.1
D792,216	S	*	7/2017	Breit	D9/443
D793,154	S	*	8/2017	Sorensen	D7/392.1
D795,009	S	*	8/2017	Alprin	D7/392.1
9,771,195	B2	*	9/2017	Lawson	B65D 51/2807
D801,111	S	*	10/2017	Eyal	D7/392.1
D802,993	S	*	11/2017	Joseph	D7/392.1
D807,110	S	*	1/2018	Lown	D7/391
D809,920	S	*	2/2018	Maple	D9/443
9,944,438	B2	*	4/2018	Roth	B65D 45/025
D817,085	S	*	5/2018	Davis	D7/392.1
D820,635	S	*	6/2018	Hammer	D7/392.1
D820,637	S	*	6/2018	Davis	D7/392.1
2015/0329255	A1	*	11/2015	Rzepecki	B65D 43/16 222/189.06
2017/0144809	A1	*	5/2017	Sorensen	A47G 19/00
2017/0196384	A1	*	7/2017	Shen	B65D 51/18
2017/0313478	A1	*	11/2017	El-Saden	B65D 47/065

OTHER PUBLICATIONS

‘Amazon.com’ [online]. “25Oz BPA Free Water Bottles with Handle Lock Lid Anti-fall Sport Holder Gray” Published on or before Aug. 22, 2017, Retrieved from the Internet: URL<https://www.amazon.com/Water-Bottles-Handle-Anti-fall-Holder/dp/B06XCGMDBZ/ref=sr_1_91?ie=UTF8&qid=1506364230&sr=8-91&keywords=water+bottle+with+lid+handle>. 5 pages.

‘Amazon.com’ [online]. “Bonison 34 oz Wide Mouth Sports Water Bottle Flip Top Lid With Handle Leak Proof Bpa Free Spill-Proof Big Capacity Bottle for Travel Yoga Running Outdoor Cycling Hiking or Camping.” Published on or before Aug. 22, 2017, Retrieved from the Internet: URL<https://www.amazon.com/BONISON-Spill-Proof-Capacity-Running-Outdoor/dp/B073WHKHBX/ref=sr_1_40?ie=UTF8&qid=1506363958&sr=8-40&keywords=water+bottle+with+lid+handle>. 6 pages.

‘Amazon.com’ [online]. “Clearance Sale—32 Ounce Water Bottle With Handle Wide Mouth Sports Bottle BPA Free Phthalate-free Twist Lid Water Bottle With Handle Leak Proof Made by Food Grade Tritan (blue)” Published on or before Aug. 22, 2017, Retrieved from the Internet: URL<https://www.amazon.com/Clearance-Sale-32-Bottle-Handle-Phthalate-free/dp/B01JUEZKOW/ref=sr_1_142?ie=UTF8&qid=1506364282&sr=8-142&keywords=water+bottle+with+lid+handle>. 6 pages.

‘Amazon.com’ [online]. “Oglea Oglea 25oz 100% BPA-Free FDA Stander Plastic Water Bottle with Handle and Lid (Black)” Published on or before Aug. 22, 2017, Retrieved from the Internet: URL<https://www.amazon.com/Oglea-BPA-FREE-Stander-Plastic-Bottle/dp/B073MX9JW4/ref=sr_1_43?ie=UTF8&qid=1506363958&sr=8-43&keywords=water+bottle+with+lid+handle>. 5 pages.

‘Amazon.com’ [online]. “Takeya Originals Bottle Spout Lid, Black,” Published on or before Aug. 22, 2017, Retrieved from the Internet: URL<https://www.amazon.com/Takeya-Originals-Bottle-Spout-Black/dp/B01FVW3EXG/ref=sr_1_15?ie=UTF8&qid=1506363909&sr=8-15&keywords=water+bottle+with+lid+handle>. 7 pages.

‘Camelback.com’ [online]. “Chute 1L Water Bottle—CamelBak,” Published on or before Aug. 22, 2017, Retrieved from the Internet: URL<https://www.camelbak.com/en/bottles/R02010--Chute_1L?color=09e6b07a54714912bebd3bc8f3b8f7d8>. 8 pages.

‘Walmart.com’ [online]. “Simple Modern Flip Lid With Handle— Fits All Summit Water Bottle Sizes—Wide Mouth Hydro Vauum Insulated Flask—Travel Mug Drinking Lid for Coffee, Tea & Water—Lilac Purple,” Published on or before Aug. 22, 2017, Retrieved from the Internet: URL<<https://www.walmart.com/ip/Simple-Modern-Flip-Lid-Handle-Fits-Summit-Water-Bottle-Sizes-Wide-Mouth-Hydro-Vauum-Insulated-Flask-Travel-Mug-Drinking-Lid-Coffee-Tea-Water-Lilac-Pu/233708736>>. 3 pages.

‘Amazon.com’ [online]. “25Oz BPA Free Water Bottles with Handle Lock Lid Anti-fall Sport Holder Gray” [retrieved on Sep. 25, 2017]. Retrieved from the Internet: URL<https://www.amazon.com/Water-Bottles-Handle-Anti-fall-Holder/dp/B06XCGMDBZ/ref=sr_1_91?ie=UTF8&qid=1506364230&sr=8-91&keywords=water+bottle+with+lid+handle>. 5 pages.

‘Amazon.com’ [online]. “Bonison 34 Oz Wide Mouth Sports Water Bottle Flip Top Lid With Handle Leak Proof Bpa Free Spill-Proof Big Capacity Bottle for Travel Yoga Running Outdoor Cycling Hiking or Camping,” [retrieved on Sep. 25, 2017]. Retrieved from the Internet: URL<https://www.amazon.com/BONISON-Spill-Proof-Capacity-Running-Outdoor/dp/B073WHKHBX/ref=sr_1_40?ie=UTF8&qid=1506363958&sr=8-40&keywords=water+bottle+with+lid+handle>. 6 pages.

‘Amazon.com’ [online]. “Clearance Sale-32 Ounce Water Bottle With Handle Wide Mouth Sports Bottle BPA Free Phthalate-free Twist Lid Water Bottle With Handle Leak Proof Made by Food Grade Tritan (blue)” [retrieved on Sep. 25, 2017]. Retrieved from the Internet: URL<https://www.amazon.com/Clearance-Sale-32-Bottle-Handle-Phthalate-free/dp/B01JUEZKOW/ref=sr_1_142?ie=UTF8&qid=1506364282&sr=8-142&keywords=water+bottle+with+lid+handle>. 6 pages.

‘Amazon.com’ [online]. “Oglea Oglea 25oz 100% BPA-FREE FDA Stander Plastic Water Bottle with Handle and Lid (Black)” [retrieved on Sep. 25, 2017]. Retrieved from the Internet: URL<https://www.amazon.com/Oglea-BPA-FREE-Stander-Plastic-Bottle/dp/B073MX9JW4/ref=sr_1_43?ie=UTF8&qid=1506363958&sr=8-43&keywords=water+bottle+with+lid+handle>. 5 pages.

‘Amazon.com’ [online]. “Takeya Originals Bottle Spout Lid, Black,” [retrieved on Sep. 25, 2017]. Retrieved from the Internet: URL<https://www.amazon.com/Takeya-Originals-Bottle-Spout-Black/dp/B01FVW3EXG/ref=sr_1_15?ie=UTF8&qid=1506363909&sr=8-15&keywords=water+bottle+with+lid+handle>. 7 pages.

‘Camelback.com’ [online]. “Chute 1L Water Bottle—CamelBak,” [retrieved on Sep. 25, 2017]. Retrieved from the Internet: URL<https://www.camelbak.com/en/bottles/R02010--Chute_1L?color=09e6b07a54714912bebd3bc8f3b8f7d8>. 8 pages.

‘Walmart.com’ [online]. “Simple Modern Flip Lid With Handle— Fits All Summit Water Bottle Sizes—Wide Mouth Hydro Vauum Insulated Flask—Travel Mug Drinking Lid for Coffee, Tea & Water—Lilac Purple,” [retrieved on Sep. 25, 2017]. Retrieved from the Internet: URL<<https://www.walmart.com/ip/Simple-Modern-Flip-Lid-Handle-Fits-Summit-Water-Bottle-Sizes-Wide-Mouth-Hydro-Vauum-Insulated-Flask-Travel-Mug-Drinking-Lid-Coffee-Tea-Water-Lilac-Pu/233708736>>. 3 pages.

* cited by examiner

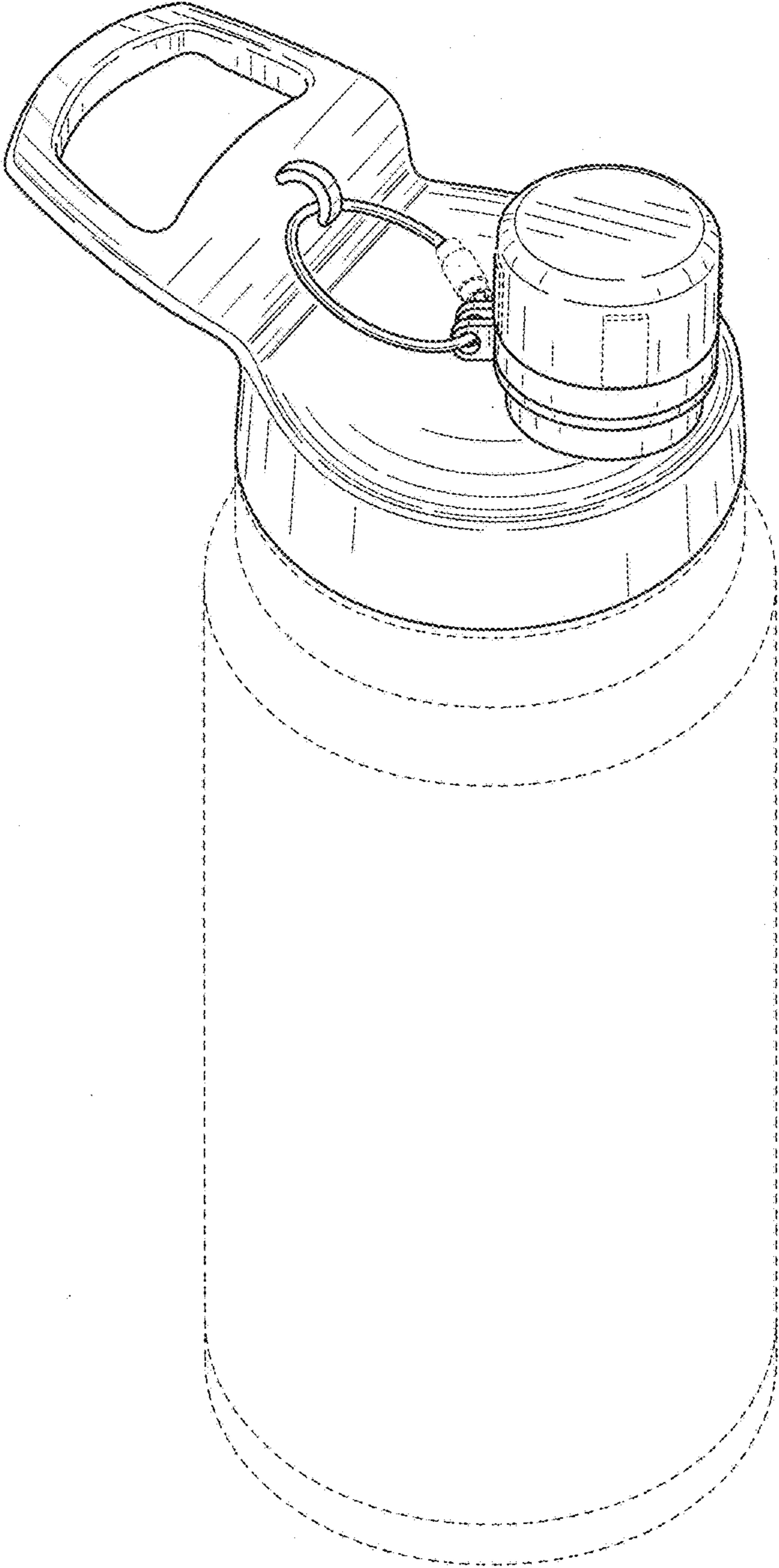


FIG. 1

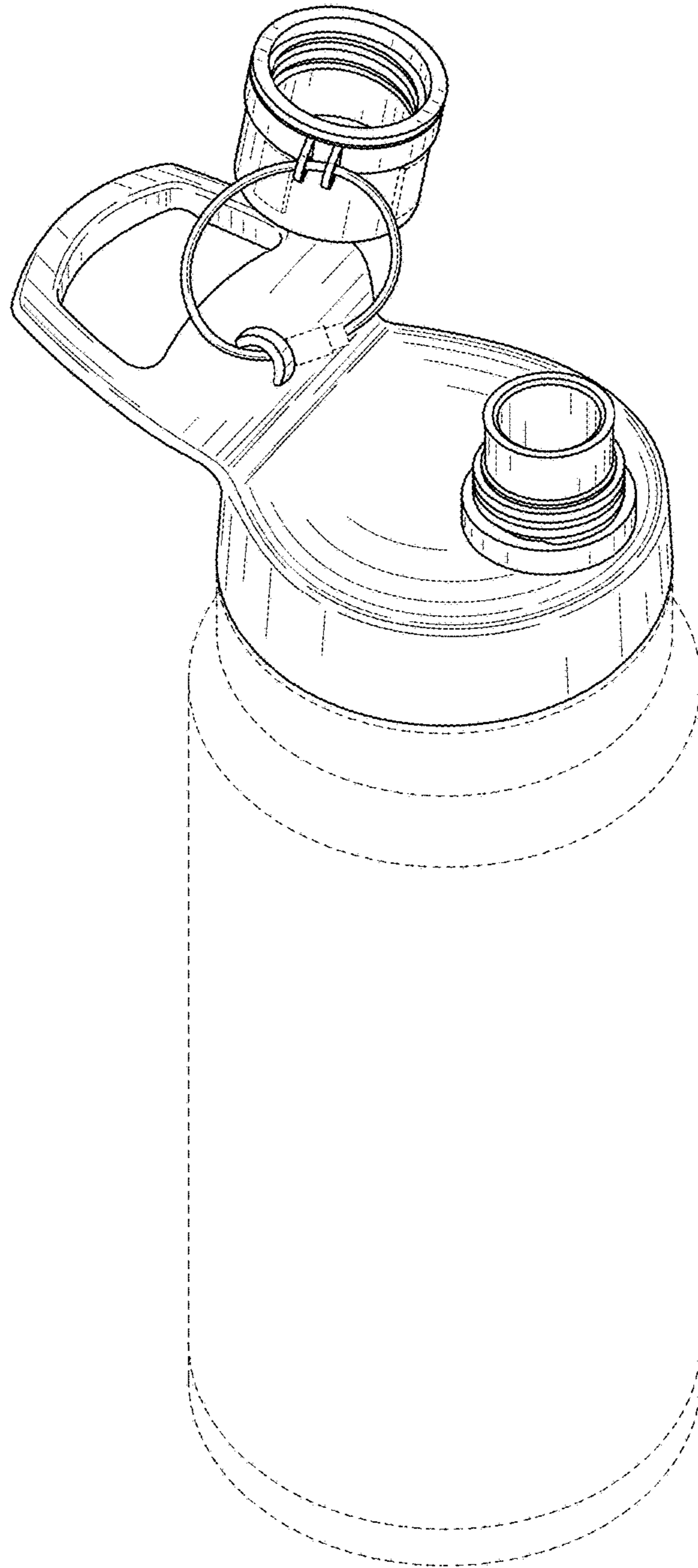


FIG. 2

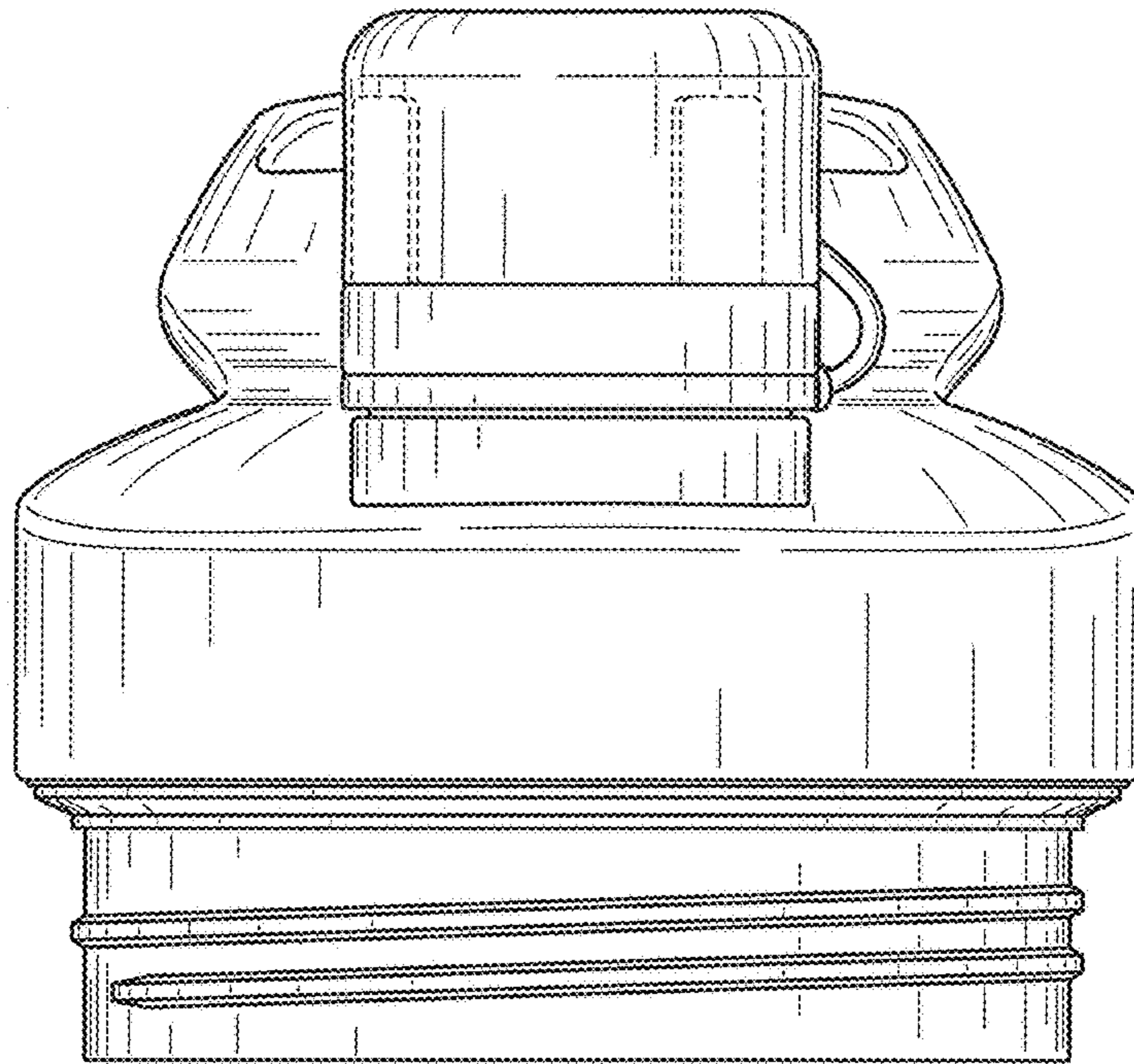


FIG. 3

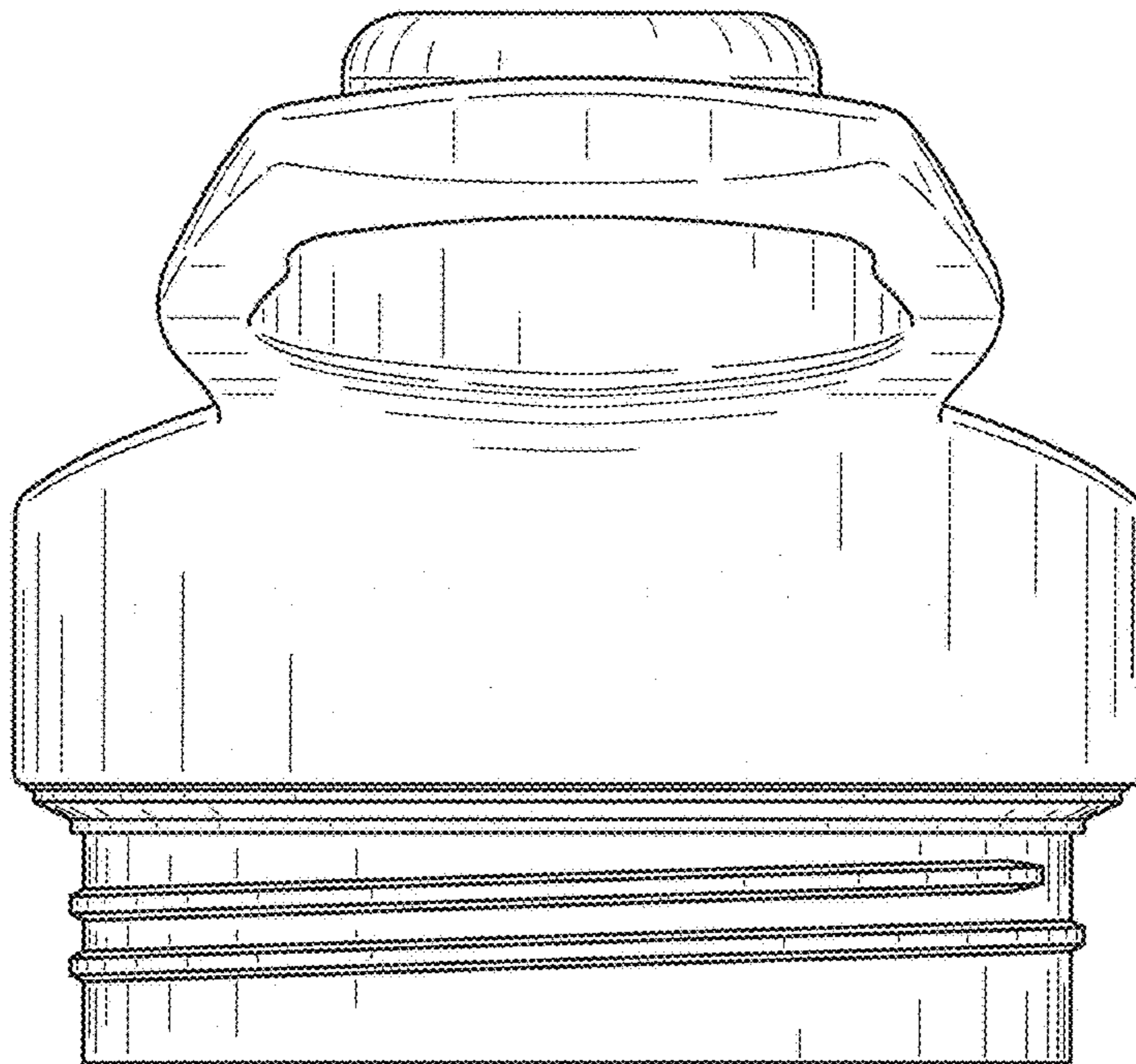


FIG. 4

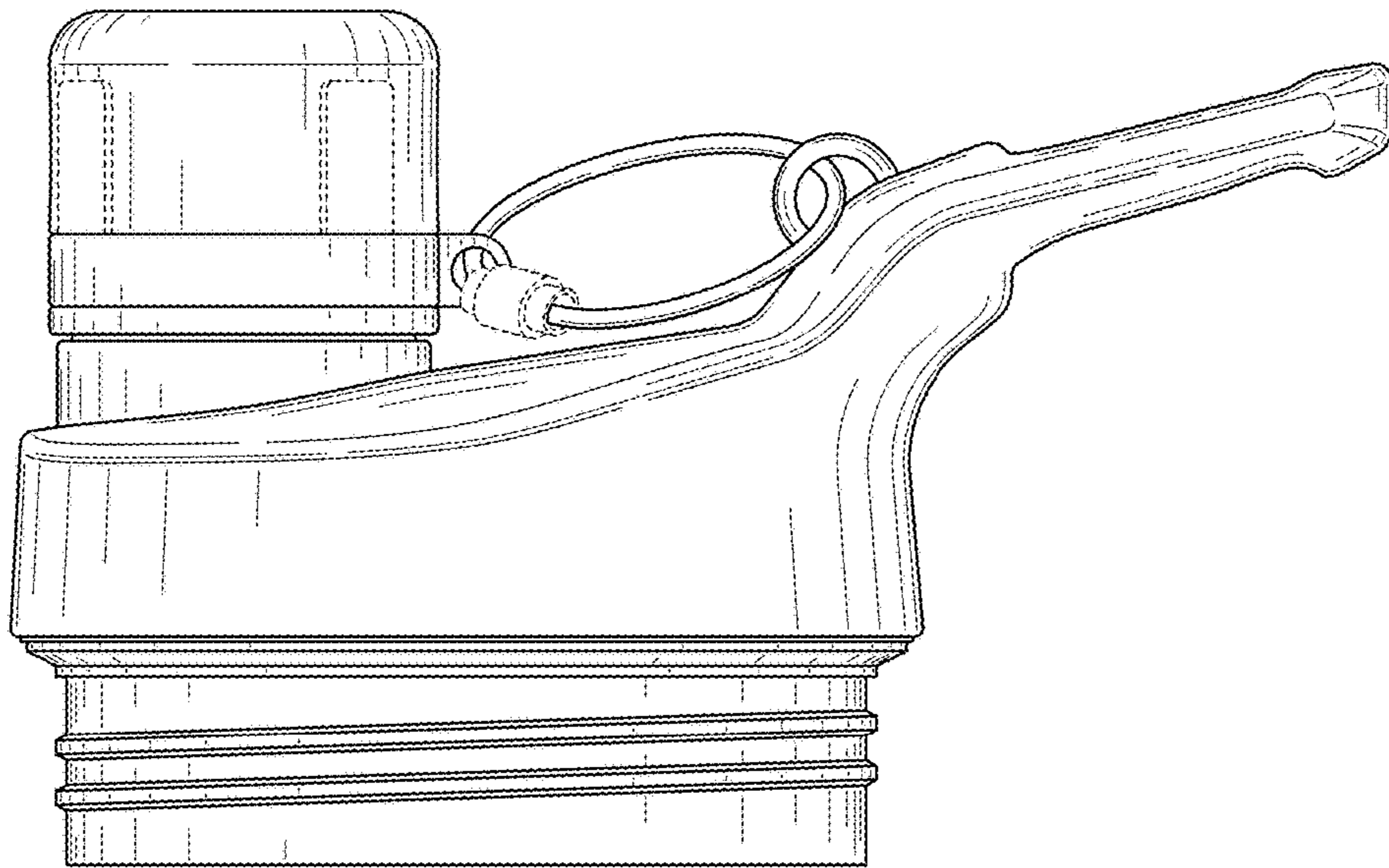


FIG. 5

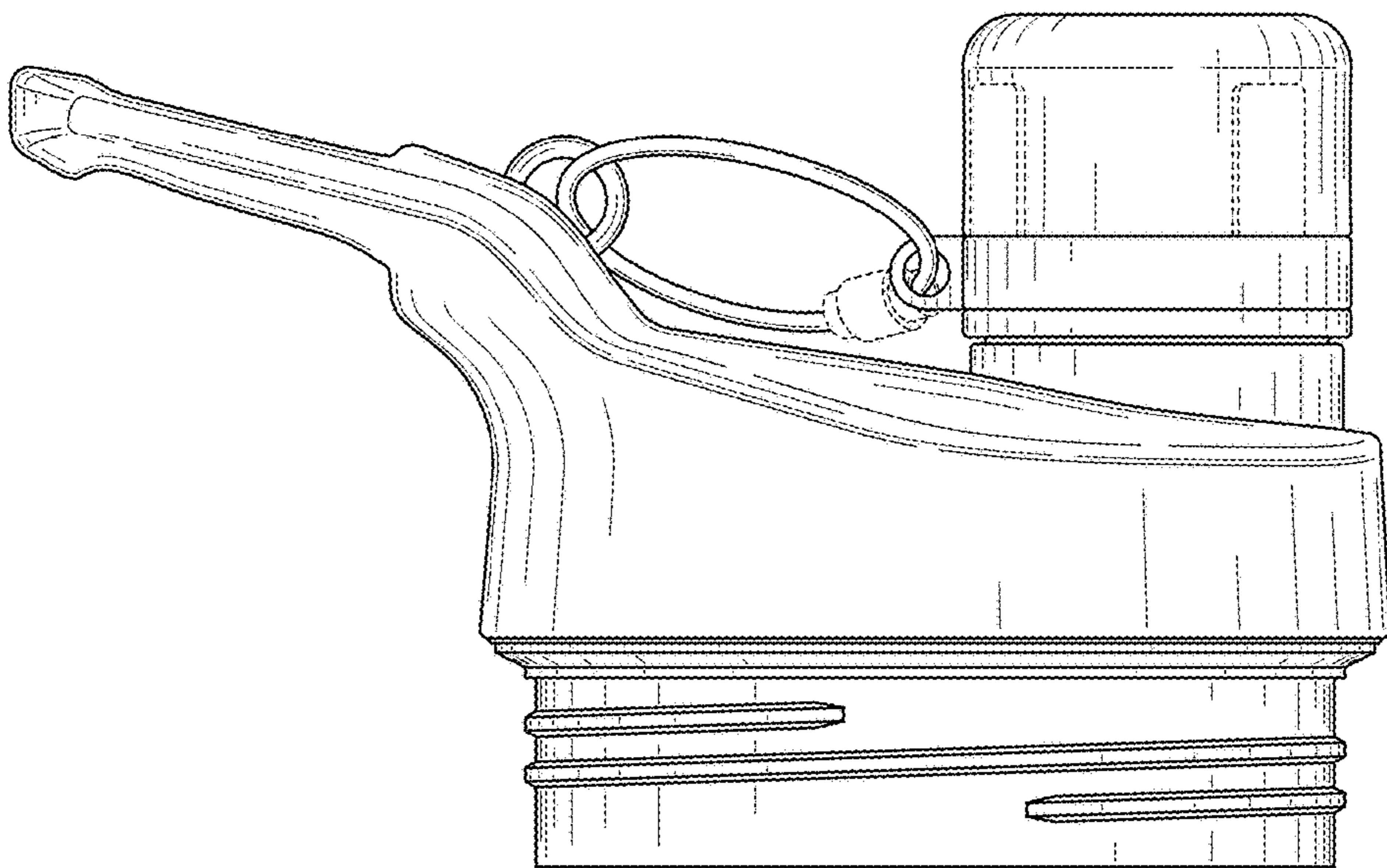


FIG. 6

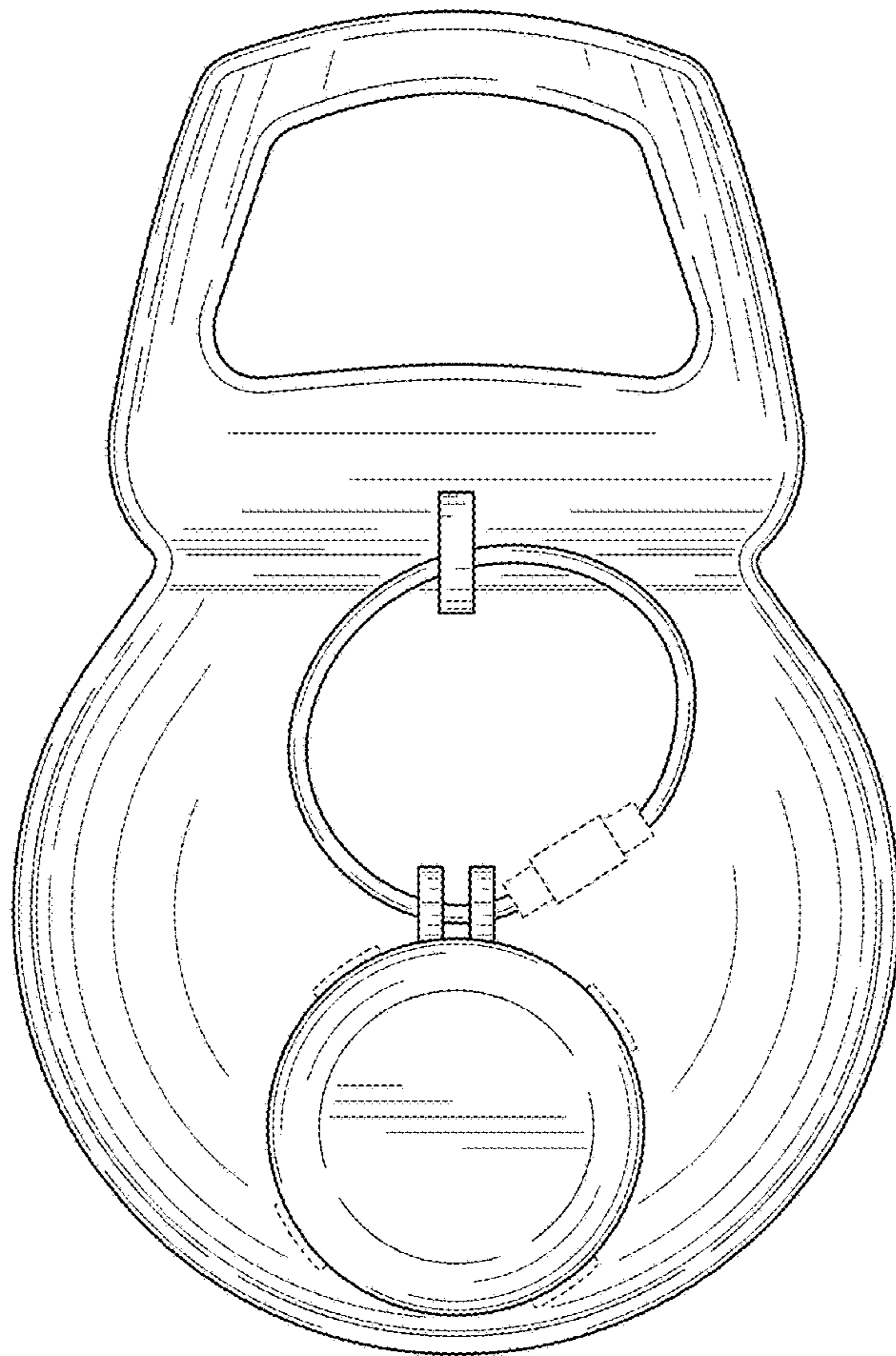


FIG. 7

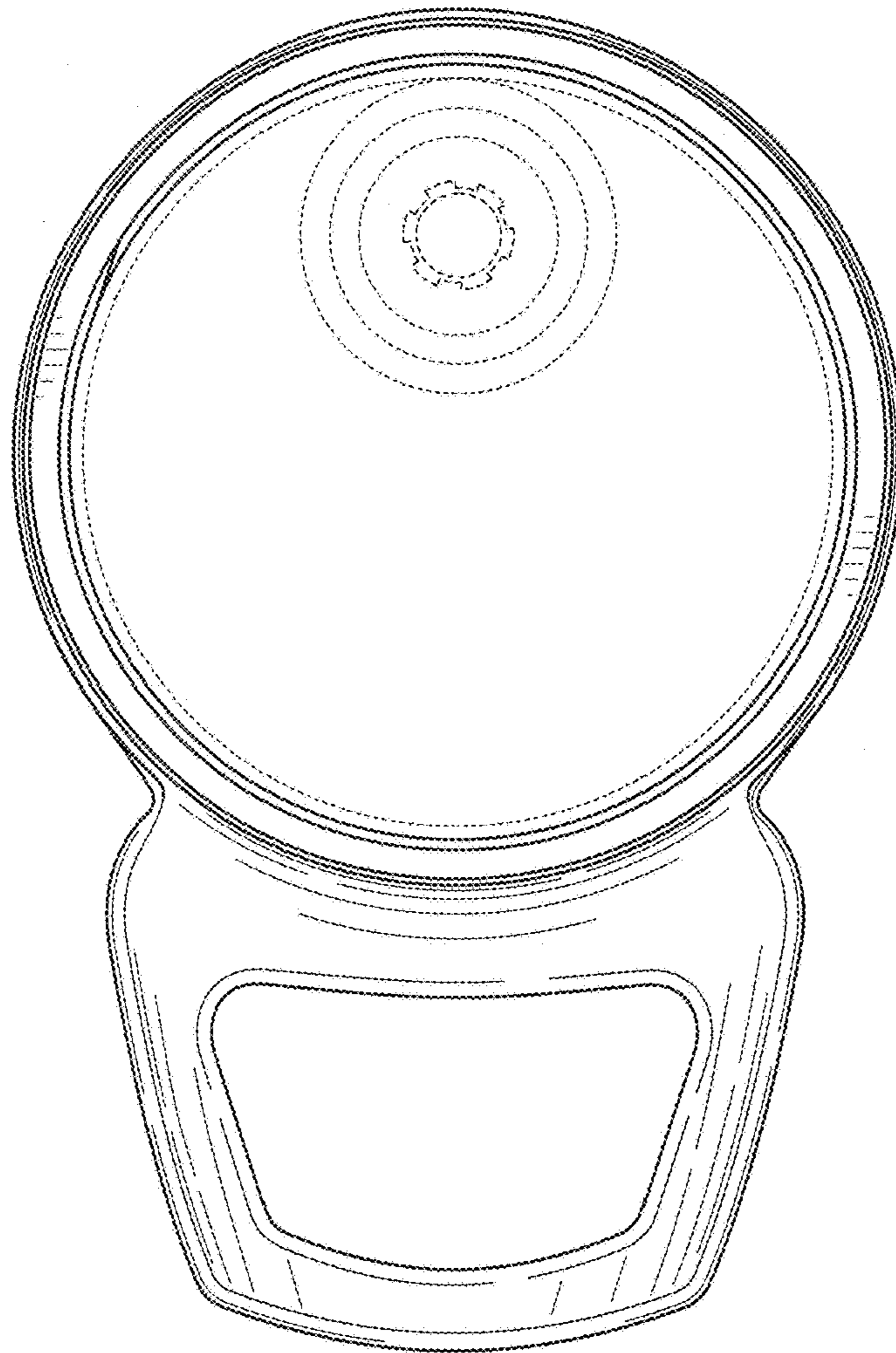


FIG. 8