



US00D847560S

(12) **United States Design Patent** (10) **Patent No.:** **US D847,560 S**
Calland (45) **Date of Patent:** **** May 7, 2019**

(54) **TRANSITION CUP SPOUT**

(71) Applicant: **Jackel International, Ltd.**,
Cramlington, Northumberland (GB)

(72) Inventor: **Benedict Calland**, Cramlington (GB)

(73) Assignee: **Jackel International Limited**,
Cramlington Northumberland (GB)

(**) Term: **15 Years**

(21) Appl. No.: **29/587,420**

(22) Filed: **Dec. 13, 2016**

(30) **Foreign Application Priority Data**

Jun. 14, 2016 (EM) 3190065-0015
Jun. 14, 2016 (EM) 3190065-0016

(51) **LOC (11) Cl.** **07-99**

(52) **U.S. Cl.**
USPC **D7/392.1; D24/196**

(58) **Field of Classification Search**
USPC D7/387, 392, 392.1, 392.2, 393, 396.2,
D7/396.3, 396.4, 401.1, 507, 509-511,
(Continued)

(56) **References Cited**

U.S. PATENT DOCUMENTS

4,613,050 A 9/1986 Atkin
6,253,935 B1 7/2001 Fletcher
(Continued)

FOREIGN PATENT DOCUMENTS

EP 2808006 A1 12/2014
GB 2490735 A 11/2012
(Continued)

OTHER PUBLICATIONS

“Tommee Tippee Closer to Nature Clear Bottles.” Found online Jul. 17, 2018 at www.amazon.co.uk. Page dated Oct. 11, 2014. Retrieved from URL: <https://tinyurl.com/y82nkae6> (Year: 2014).*

(Continued)

Primary Examiner — Garth Rademaker

Assistant Examiner — Katelin G Kloberg

(74) *Attorney, Agent, or Firm* — Olson & Cepuritis, Ltd.

(57) **CLAIM**

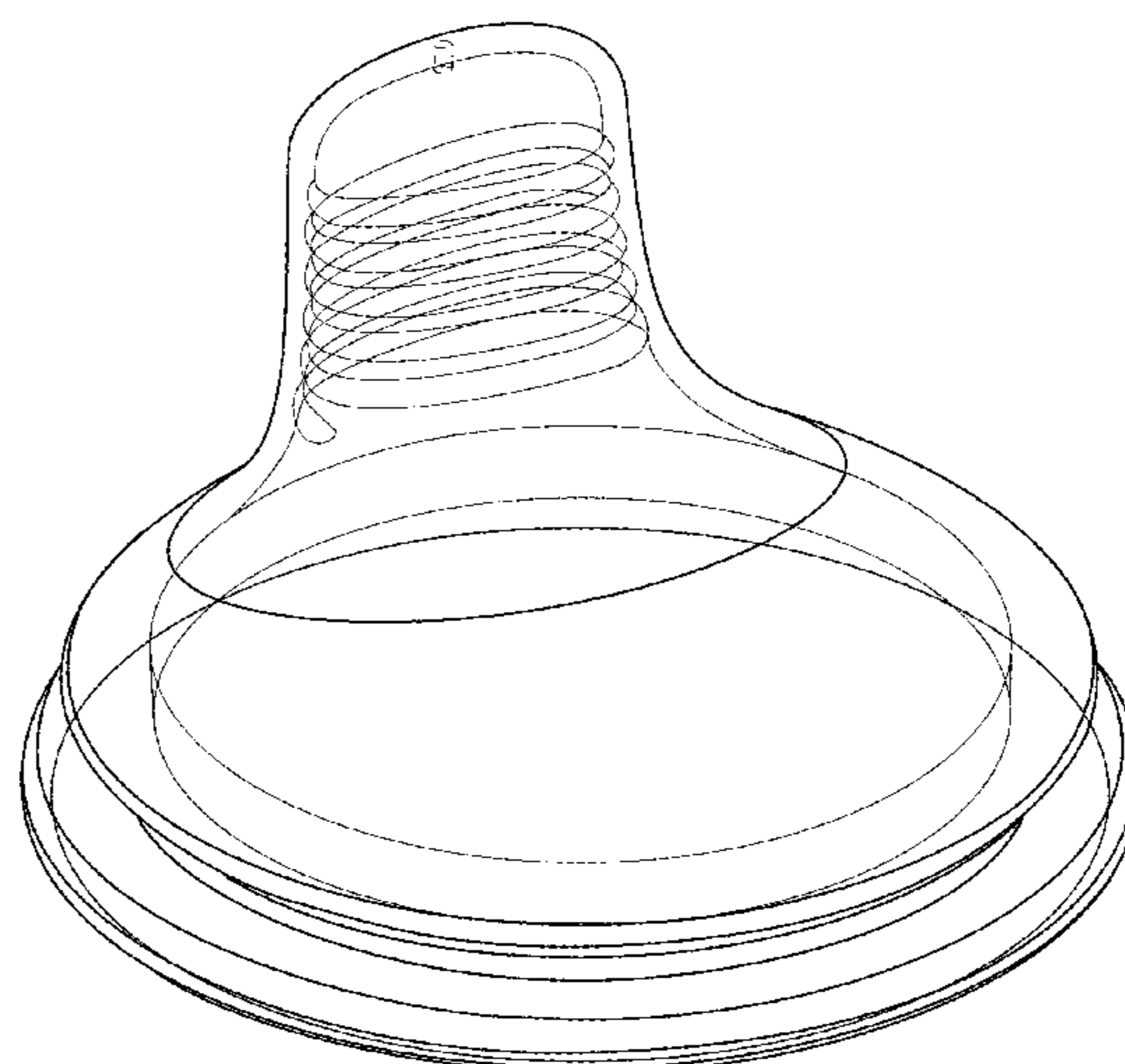
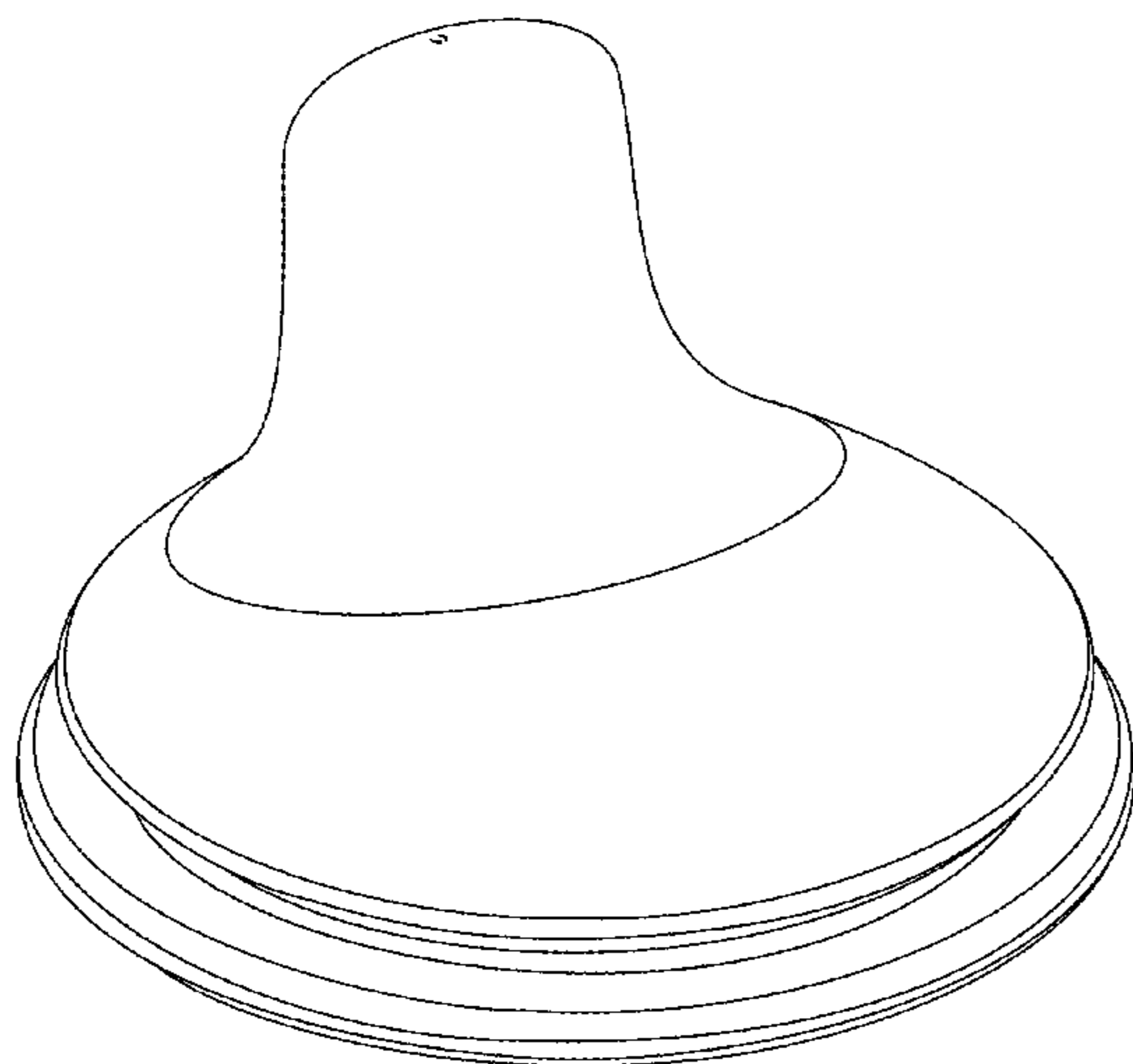
The ornamental design for a transition cup spout, as shown and described.

DESCRIPTION

FIG. 1 is a front perspective view of a first embodiment of a transition cup spout showing my new design;
FIG. 2 is a front elevational view thereof;
FIG. 3 is a rear elevational view thereof;
FIG. 4 is a right side elevational view thereof; the left side elevational view being a mirror image thereof;
FIG. 5 is a top plan view thereof;
FIG. 6 is a bottom plan view thereof;
FIG. 7 is a cross-section view thereof, taken along line 7-7 of FIG. 5;
FIG. 8 is a front perspective view of a second embodiment of the transition cup spout;
FIG. 9 is a front elevational view thereof;
FIG. 10 is a rear elevational view thereof;
FIG. 11 is a right side elevational view thereof, the left side elevational view being a mirror image thereof;
FIG. 12 is a top plan view thereof;
FIG. 13 is a bottom plan view thereof; and,
FIG. 14 is a cross-section view thereof, taken along line 14-14 of FIG. 12.

The broken lines in the drawings depict portions of the transition cup spout that form no part of the claimed design.

1 Claim, 14 Drawing Sheets



(58) **Field of Classification Search**

USPC D7/532, 534, 538, 900; D9/414, 415,
 D9/420, 426, 428, 429, 434, 435,
 D9/443-450, 452-457, 499, 682, 685,
 D9/686; D24/196
 CPC A47G 19/22; A47G 19/2205; A47G
 19/2222; A47G 19/2272; A61J 11/00;
 B65D 51/28; B65D 21/0222; B65D
 43/02; B65D 2203/00; B65D 2231/022;
 B65D 2543/00046; B65D 2543/00092;
 B65D 2543/00296; B65D 2543/00537

See application file for complete search history.

(56) **References Cited**

U.S. PATENT DOCUMENTS

D463,567 S * 9/2002 Morano D24/196
 D465,028 S * 10/2002 Renz D24/196
 D520,809 S * 5/2006 Randolph D7/392.1
 D599,028 S * 8/2009 Schofield D24/196
 8,777,028 B2 7/2014 Sakulsacha
 8,807,386 B2 * 8/2014 Lam A47G 19/2272
 215/11.4
 D713,671 S * 9/2014 De Leo D7/392.1
 D724,233 S * 3/2015 Moore D24/196
 D734,095 S * 7/2015 Thomas D24/197
 D748,434 S * 2/2016 Thalmann D7/510
 D753,436 S * 4/2016 Chaitanarit D7/392
 D793,167 S * 8/2017 Schlegel D7/510
 9,993,097 B2 * 6/2018 Phipps A47G 19/2272

2012/0074090 A1* 3/2012 Rees A61J 11/005
 215/11.1
 2013/0305582 A1 11/2013 Mayberry et al.
 2014/0069947 A1* 3/2014 Smith A47G 19/2272
 220/714

FOREIGN PATENT DOCUMENTS

NZ 524766 A 10/2004
 WO 2006103379 A1 10/2006
 WO 2017037425 A1 3/2017

OTHER PUBLICATIONS

“Tommee Tippee Ultra Bottle.” Found online Jul. 17, 2018 at
www.amazon.co.uk. Page dated Jun. 21, 2016. Retrieved from
 URL: <https://tinyurl.com/yyp5o674> (Year: 2016).*
 “Muchkin Latch Bottle.” Found online Jul. 17, 2018 at www.amazon.co.uk.
 Page dated Dec. 18, 2014. Retrieved from URL: <https://tinyurl.com/yaxwtd6p> (Year: 2014).*
 “Nuby Natural Touch Anti-Colic Bottles with Snoozie and Soother.”
 Found online Jul. 17, 2018 at www.amazon.co.uk. Page dated Mar.
 10, 2016. Retrieved from URL: https://www.amazon.co.uk/dp/B01CSGSDR0/ref=sspa_dk_detail_6?psc=1 (Year: 2016).*
www.tommeetippee.co.uk/product/ultra-feeding-bottle, last accessed
 on May 17, 2017.
www.tommeetippee.co.uk/product/transition-sippee-trainer, last accessed
 on May 17, 2017.
Luv N’ Care, Ltd. v. Jackel International Limited, No. 10-1891,
 State of Louisiana, Parish of Ouachita, Fourth District Court.

* cited by examiner

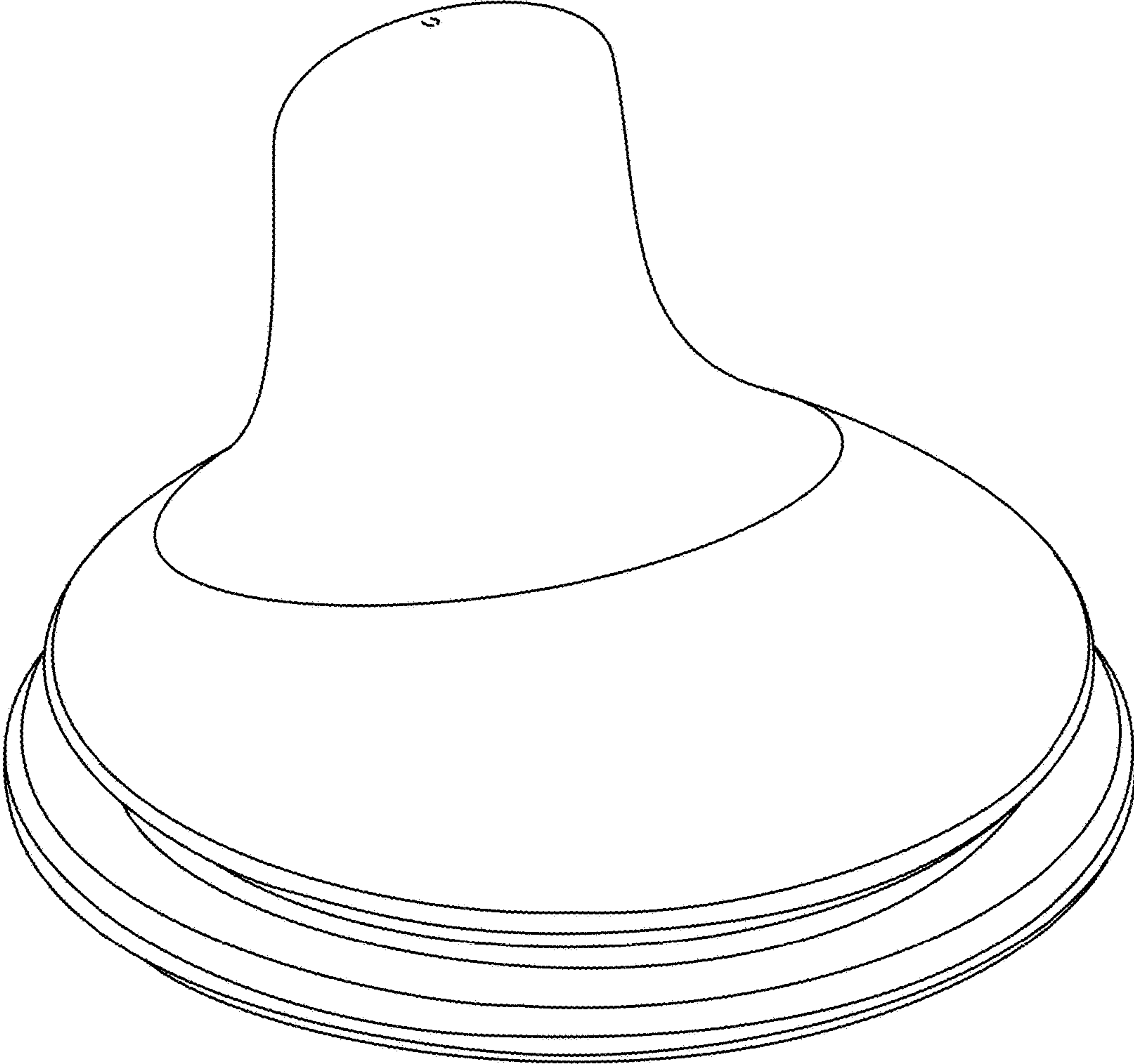


FIG. 1

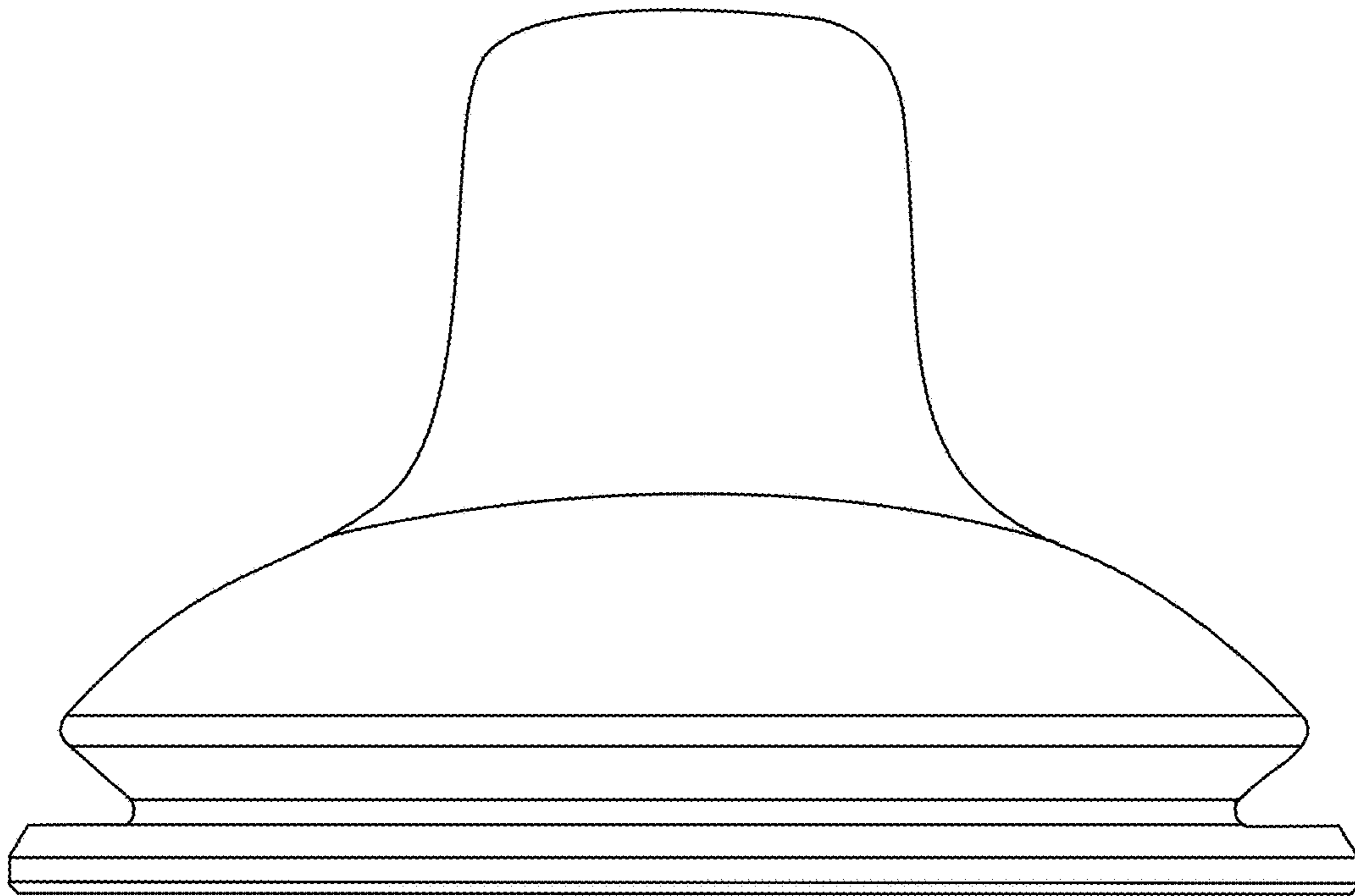


FIG. 2

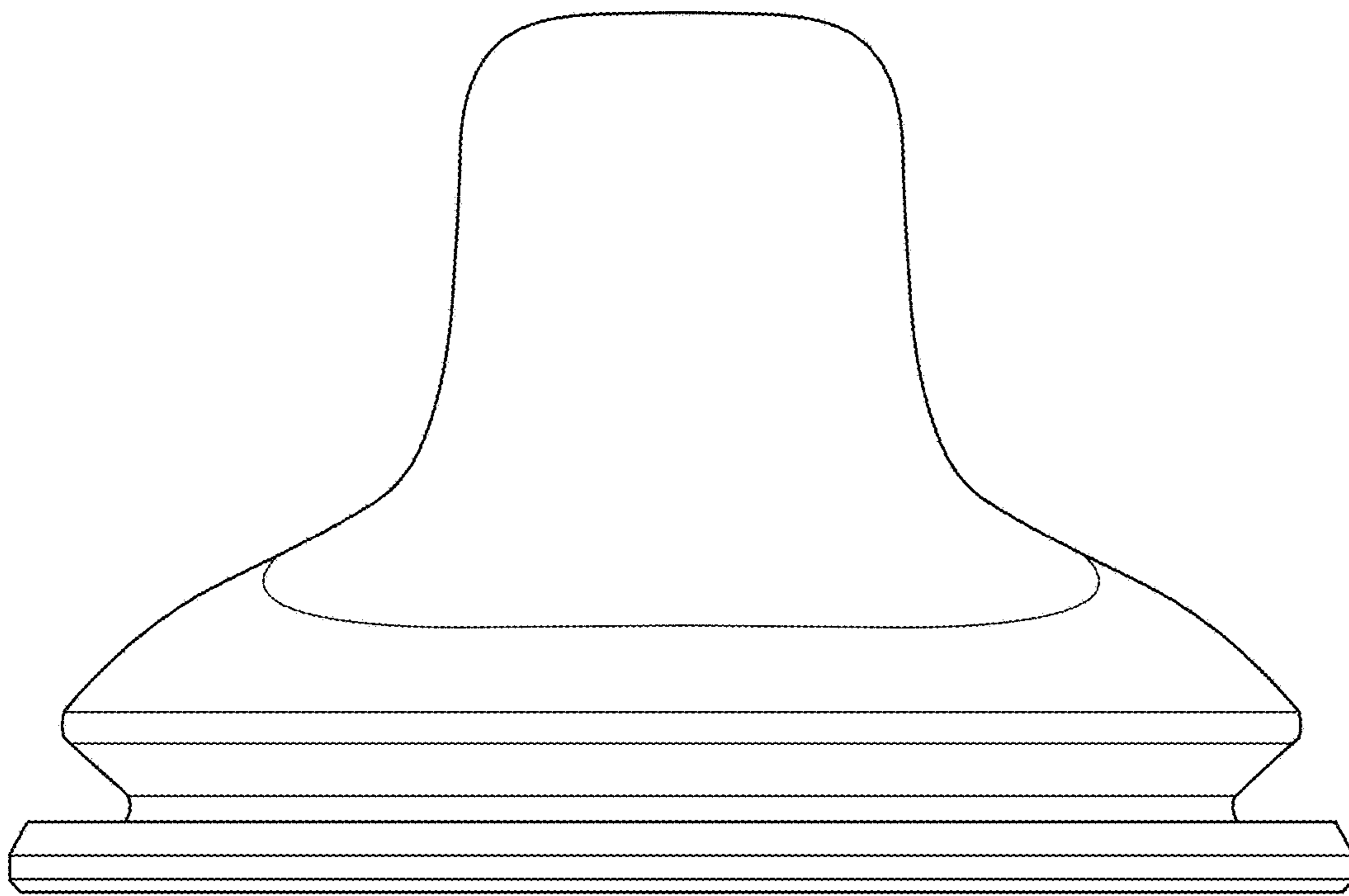


FIG. 3

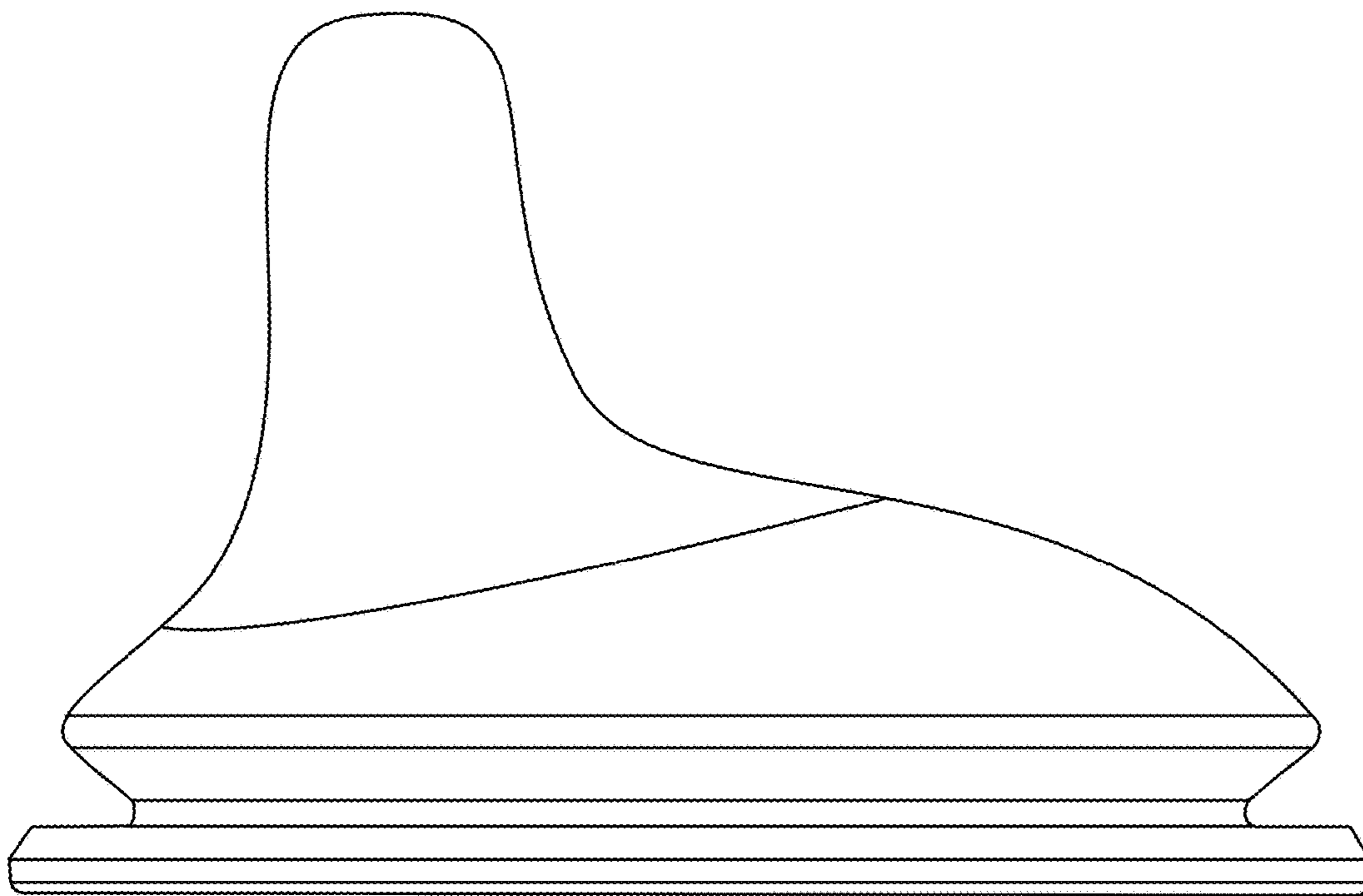


FIG. 4

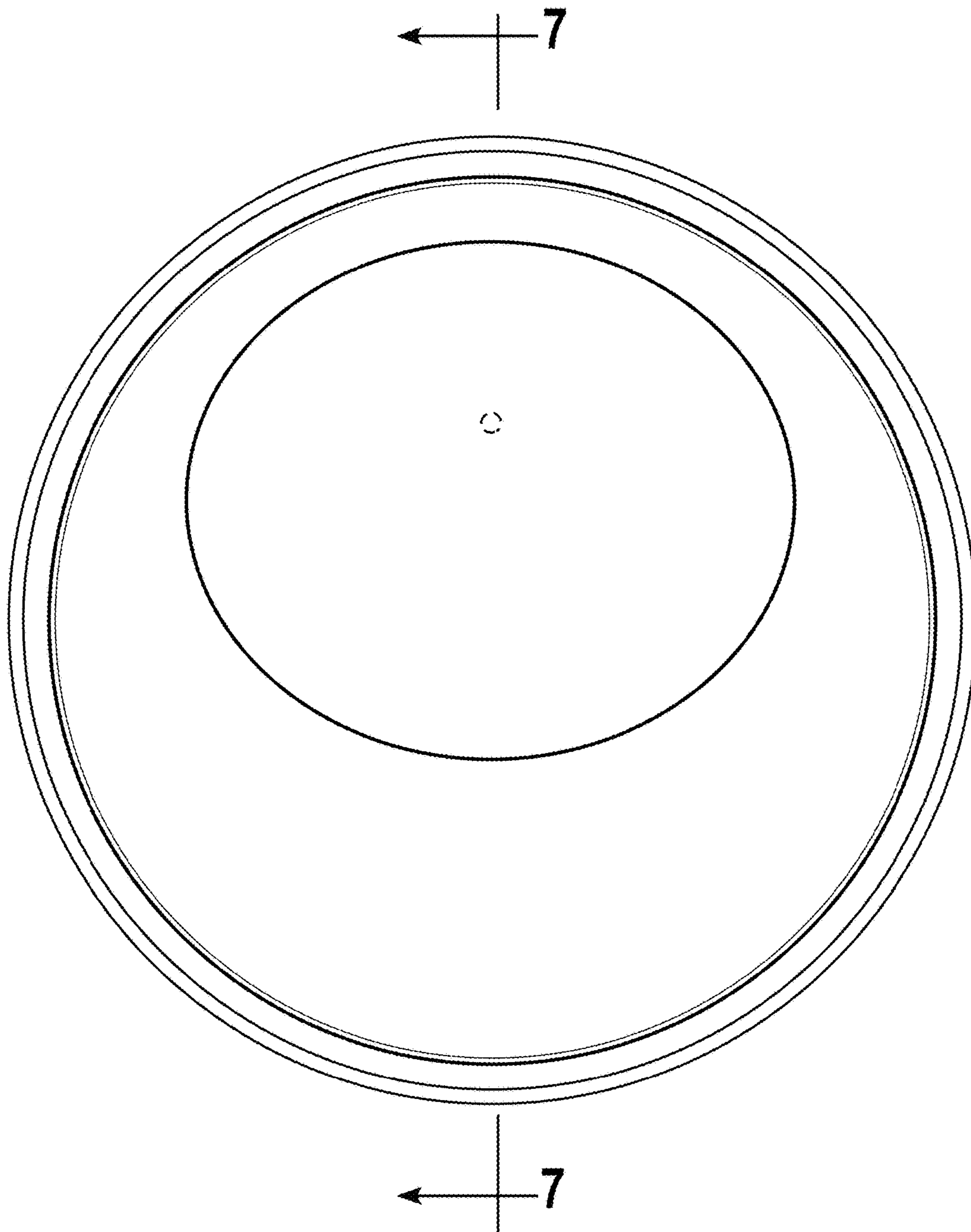


FIG. 5

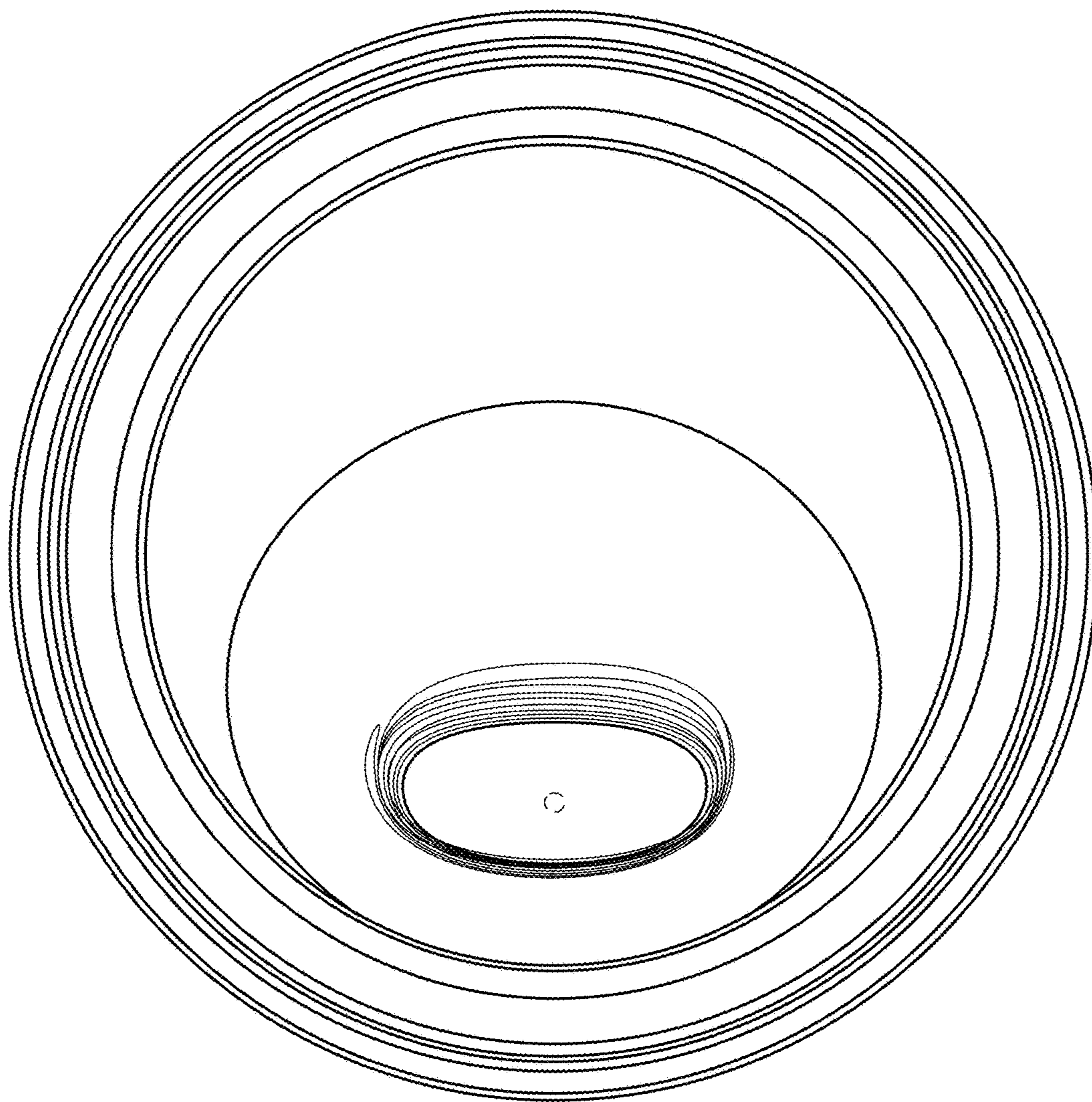


FIG. 6

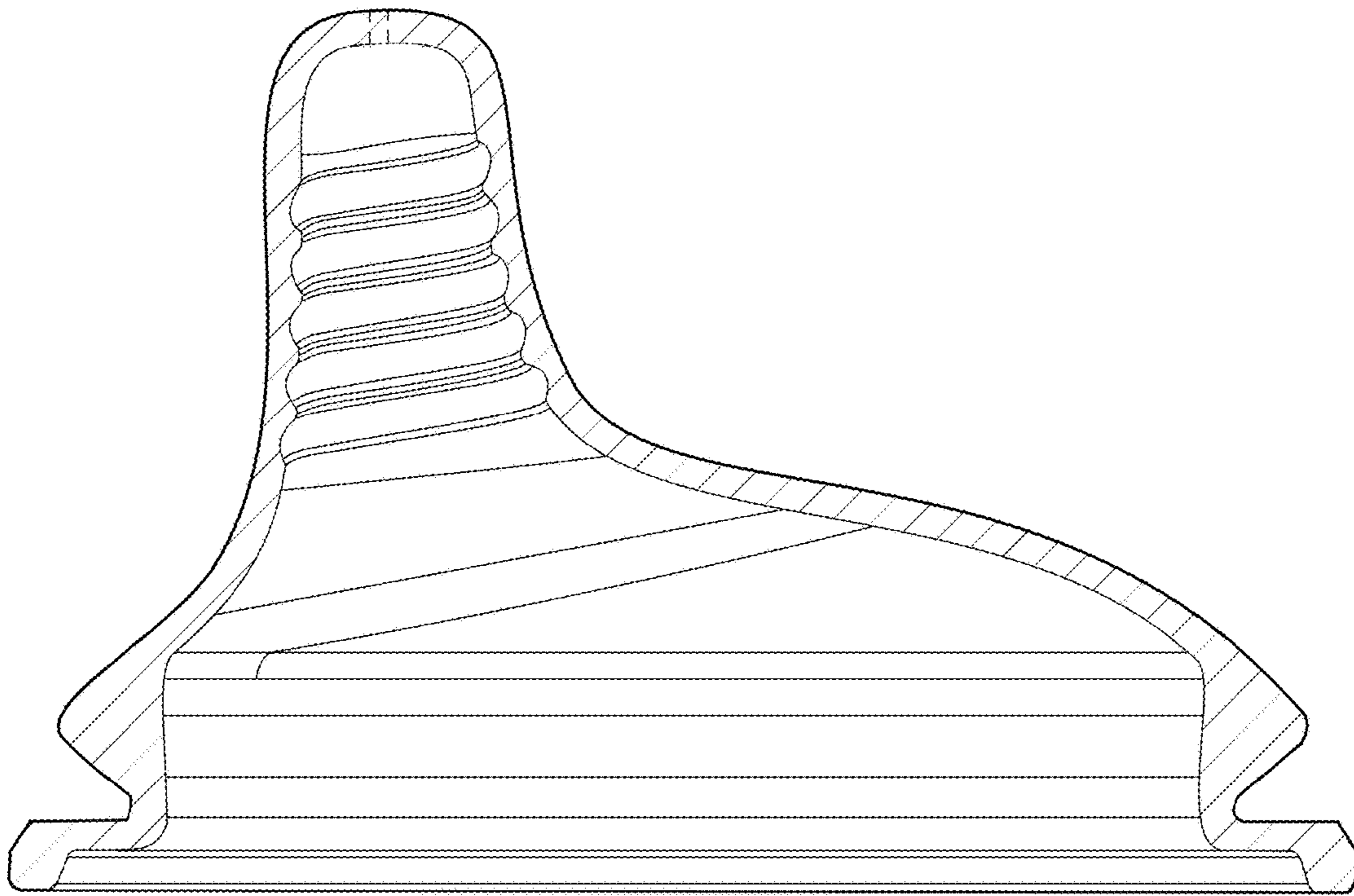


FIG. 7

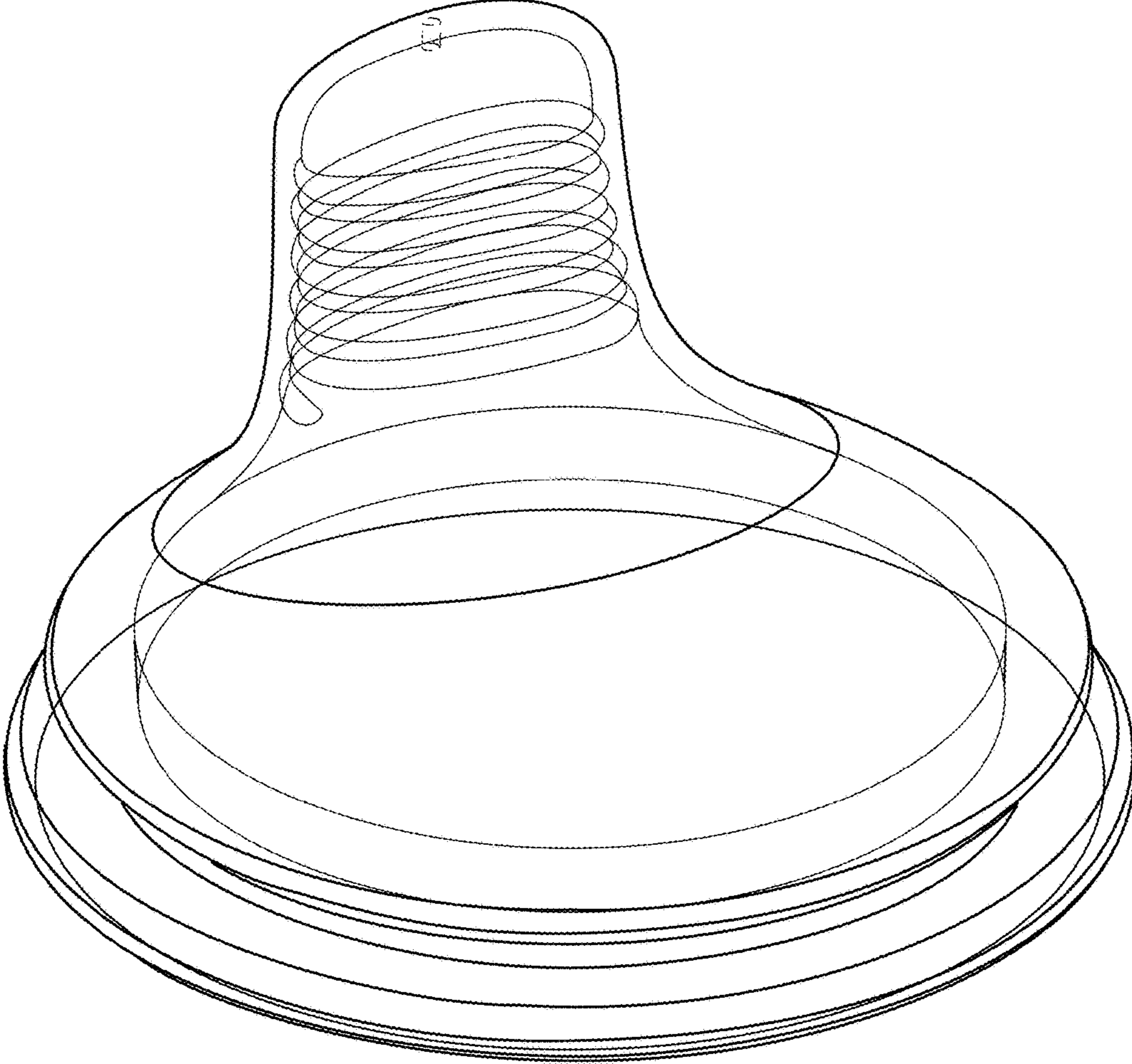


FIG. 8

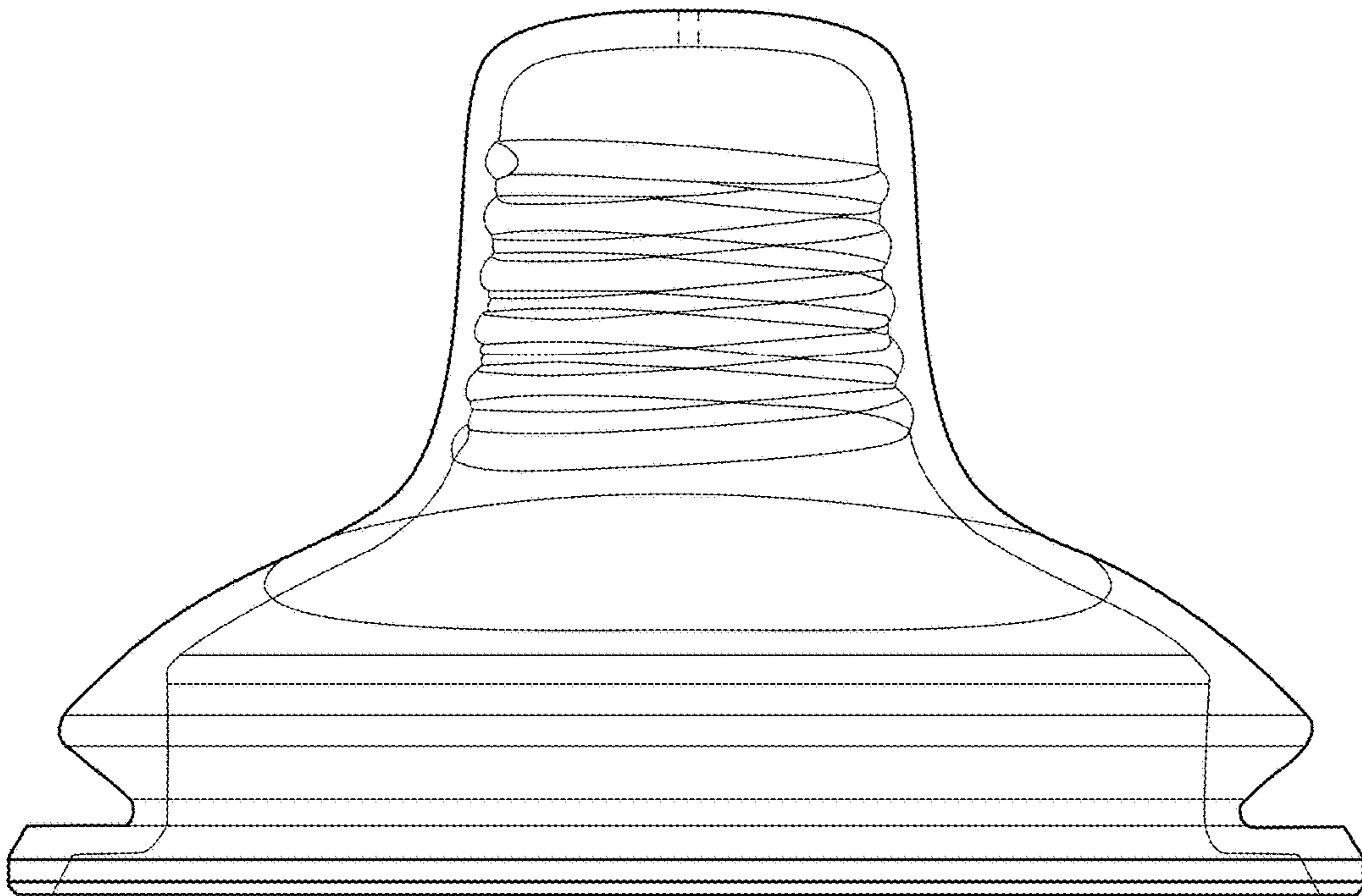


FIG. 9

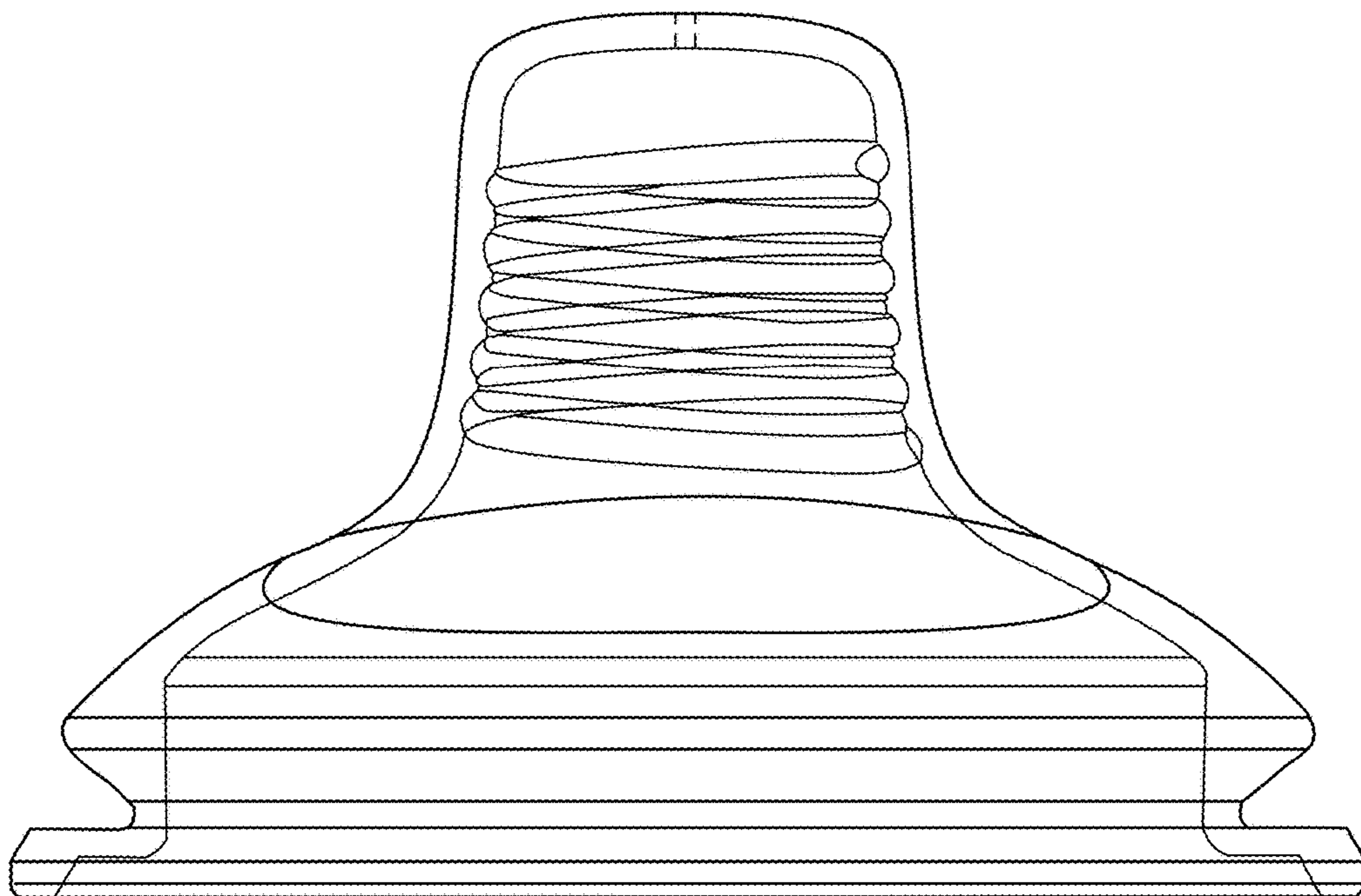


FIG. 10

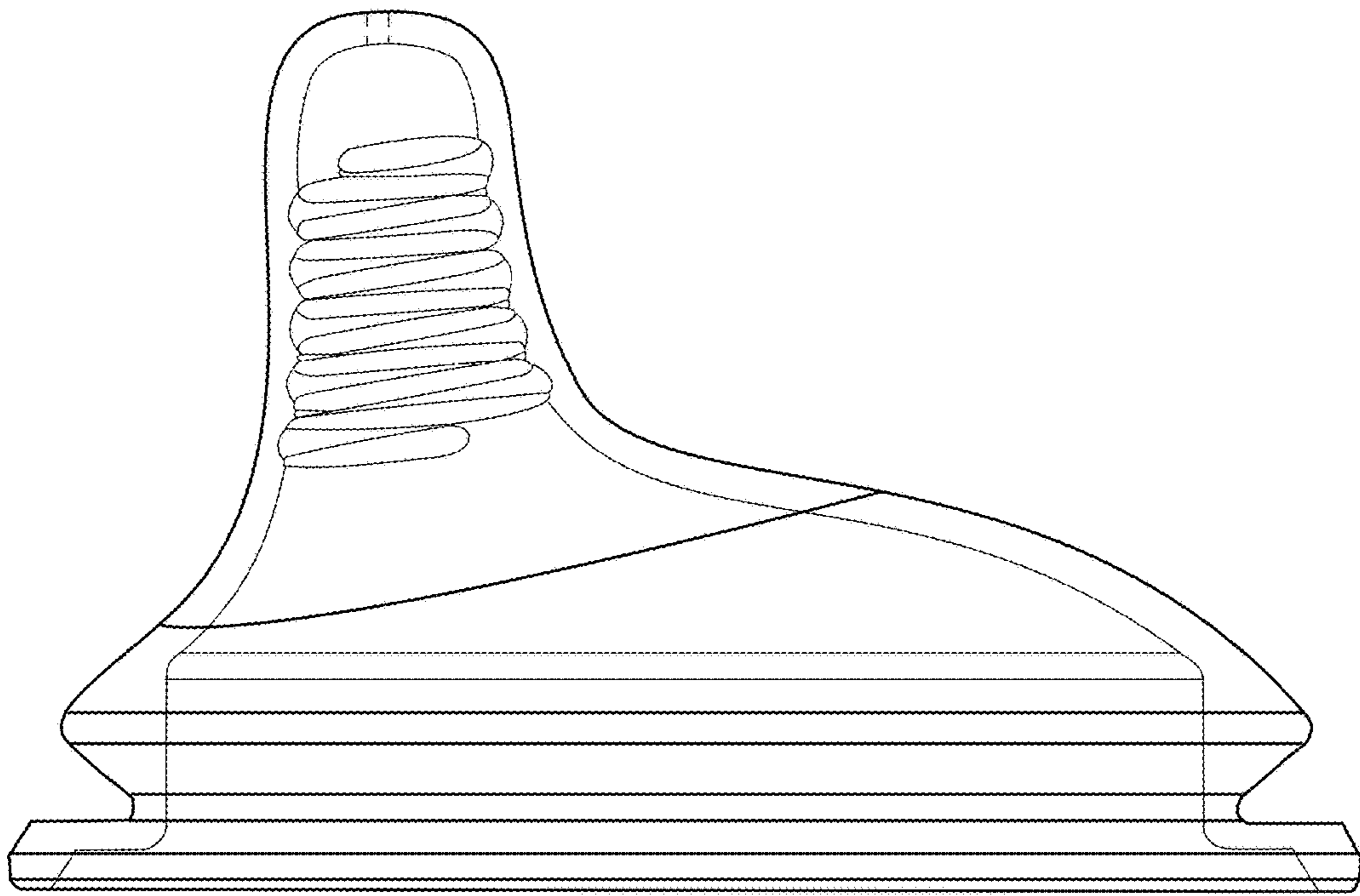


FIG. 11

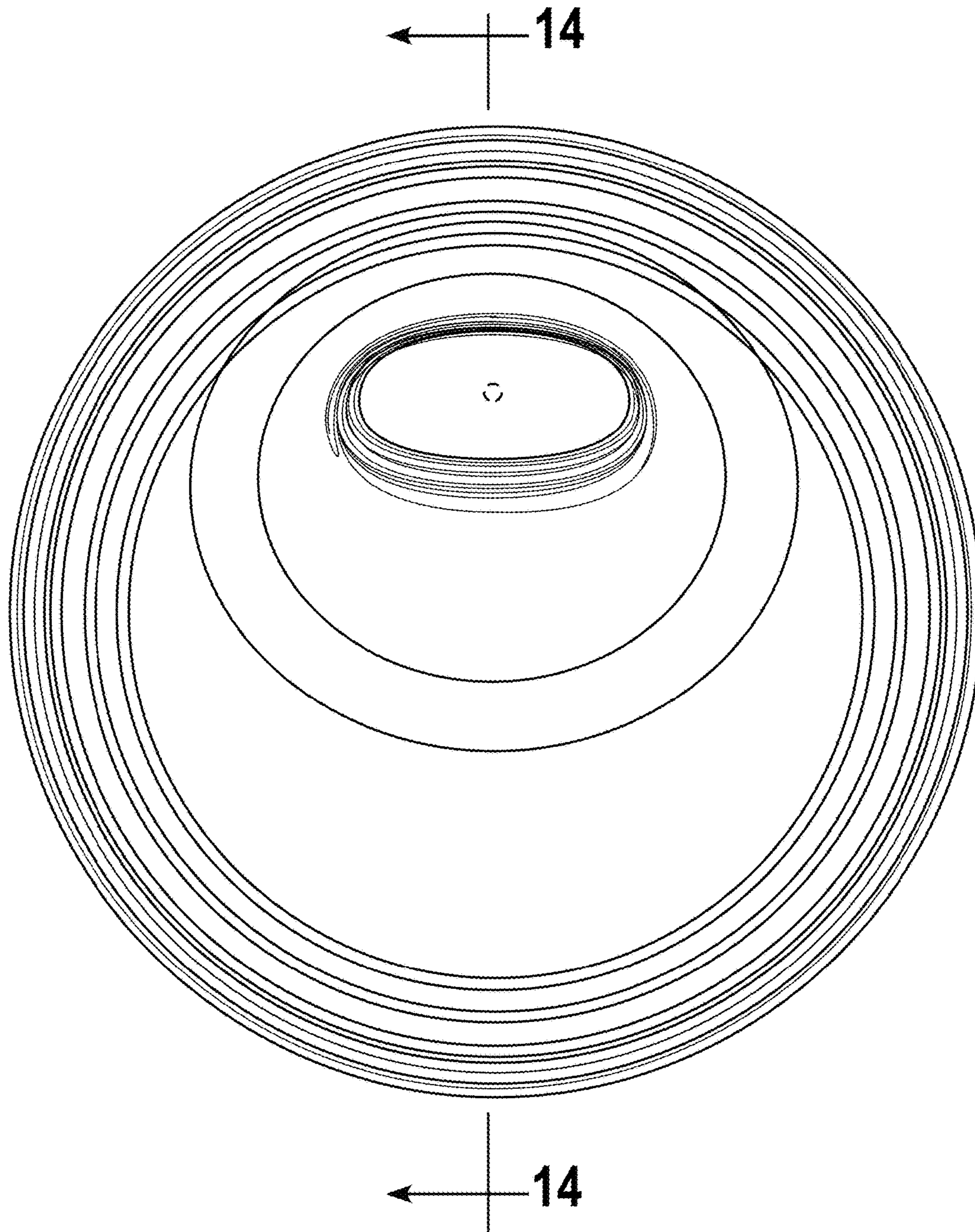


FIG. 12

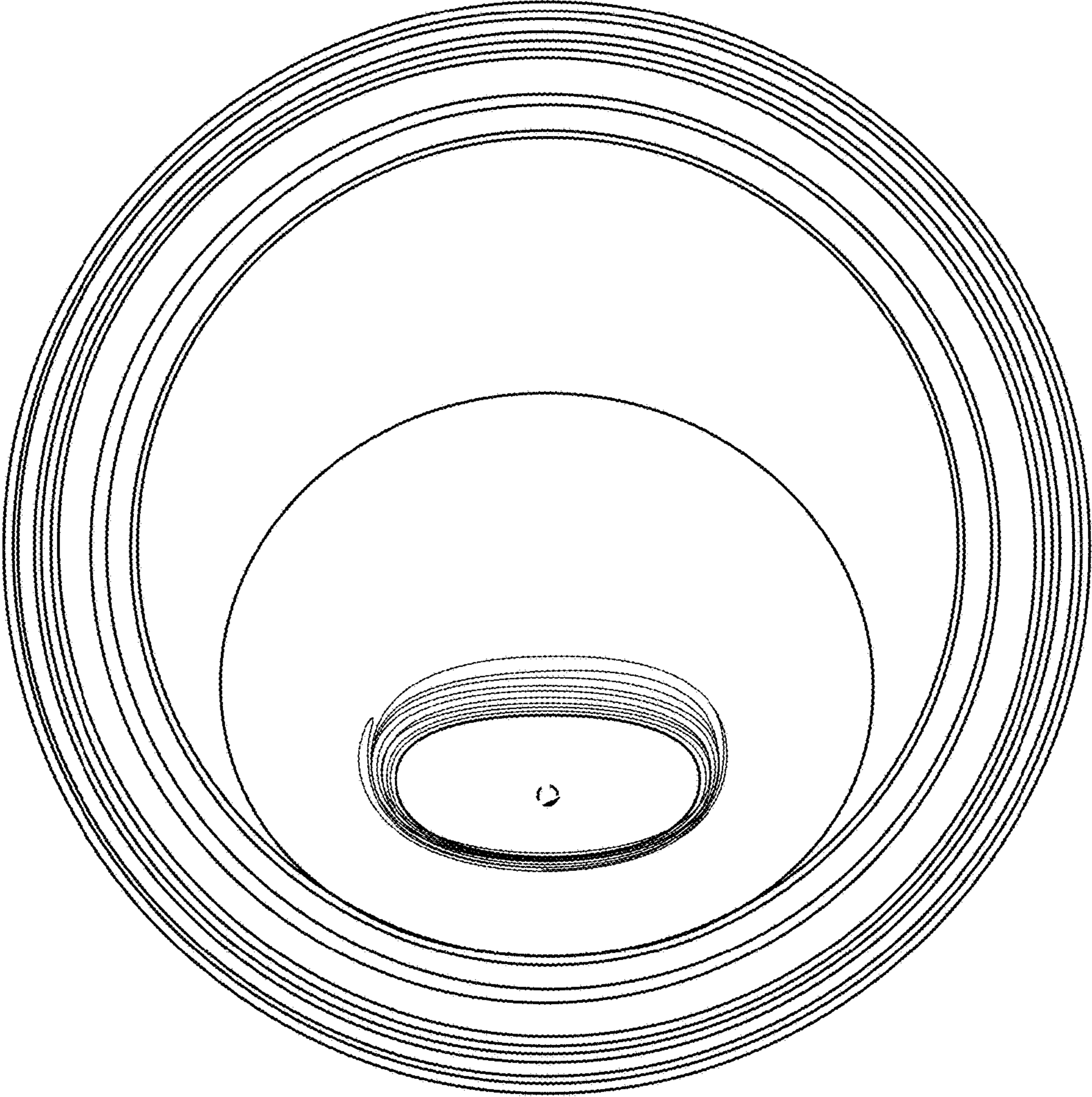


FIG. 13

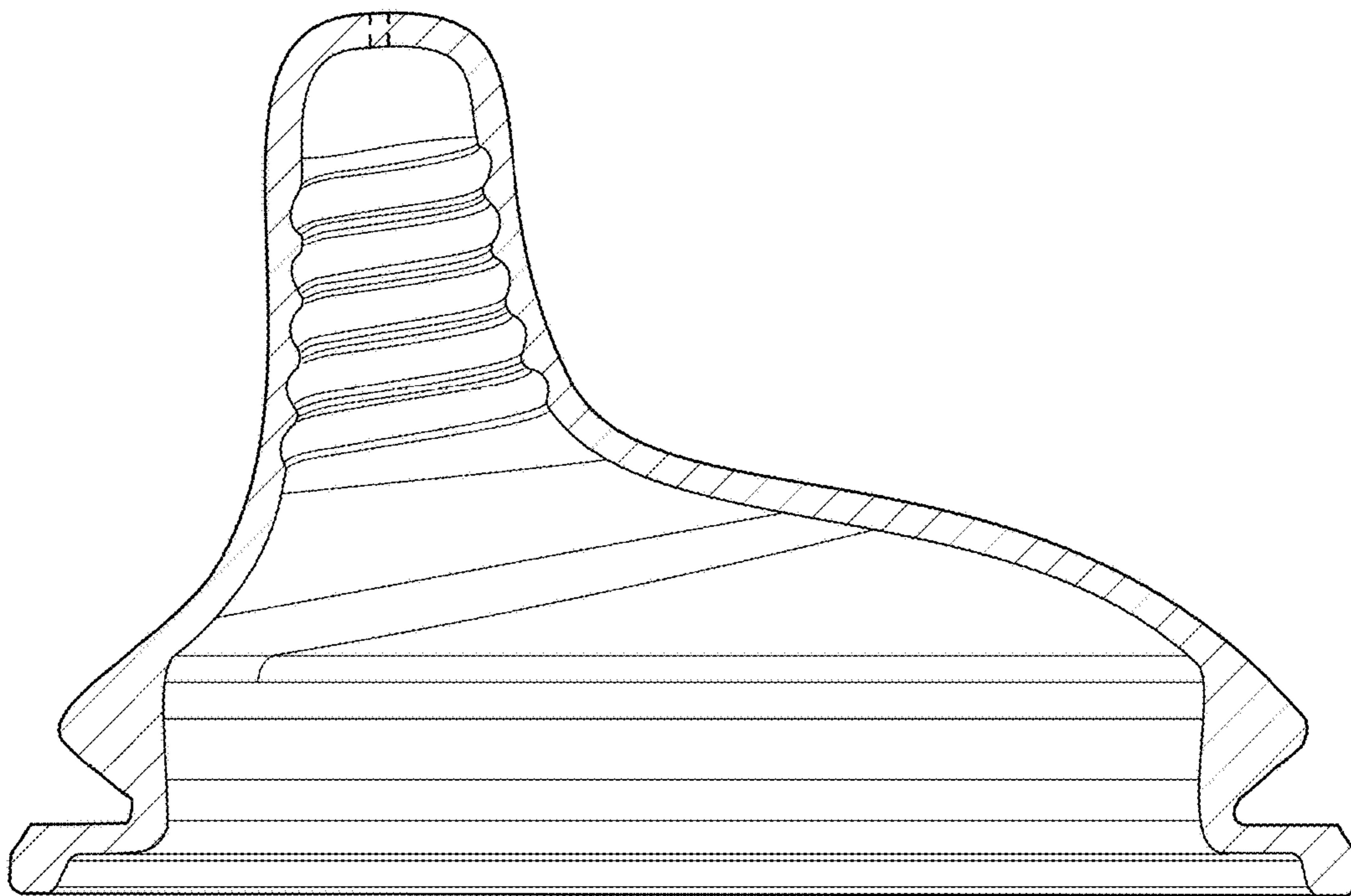


FIG. 14