



US00D847559S

(12) **United States Design Patent** (10) **Patent No.:** **US D847,559 S**  
**Coakley et al.** (45) **Date of Patent:** **\*\* May 7, 2019**

(54) **BLENDER BASE**

(71) Applicant: **SharkNinja Operating LLC**,  
Needham, MA (US)  
(72) Inventors: **Devin Coakley**, Bellingham, MA (US);  
**Christopher Gidwell**, Newton, MA  
(US); **Cory R. Smith**, Auburndale, MA  
(US); **Joyce Tu**, Arlington, MA (US)

(73) Assignee: **SHARKNINJA OPERATING LLC**,  
Needham, MA (US)

(\*\*) Term: **15 Years**

(21) Appl. No.: **29/653,896**

(22) Filed: **Jun. 19, 2018**

**Related U.S. Application Data**

(60) Division of application No. 29/604,189, filed on May 16, 2017, now Pat. No. Des. 823,637, which is a division of application No. 29/531,840, filed on Jun. 30, 2015, now Pat. No. Des. 795,005, which is a  
(Continued)

(51) **LOC (11) Cl.** ..... **31-00**  
(52) **U.S. Cl.**  
USPC ..... **D7/386; D7/376; D7/378; D7/412;**  
**D7/413**

(58) **Field of Classification Search**  
USPC ..... D7/372, 376–386, 412–413, 602, 629,  
D7/665–666, 669, 679, 693–694  
CPC .... A21C 1/02; A21C 1/04; A23N 1/00; A23N  
1/02; A47J 43/04; A47J 43/25; A47J  
43/27; A47J 43/042; A47J 43/044; A47J  
43/046; A47J 43/075; A47J 43/0722;  
A47J 43/0727; B01F 3/00; B01F 3/0807;  
B01F 3/0853; B01F 7/162; B01F  
13/0059; B01F 13/0064; B02C 1/08;  
B02C 2/04; B02C 4/42; B02C 4/142;  
B02C 4/143; B02C 4/423; B02C 13/1835;  
B28C 5/10; B28C 5/12; B28C 5/14;  
B28C 5/16

See application file for complete search history.

(56) **References Cited**

**U.S. PATENT DOCUMENTS**

D191,152 S 8/1961 Rawson  
D242,208 S \* 11/1976 Madl ..... D7/386  
D256,318 S 8/1980 Levin  
(Continued)

**FOREIGN PATENT DOCUMENTS**

EM 0013887970002 8/2013  
JP S6339330 B2 8/1988  
(Continued)

**OTHER PUBLICATIONS**

Notice of Completion of Formalities for Patent Register and Notice of Grant of Design Patent Right; Chinese Application No. 2017300544679; dated Jul. 6, 2017; 5 Pages.

(Continued)

*Primary Examiner* — Ricky Pham

(74) *Attorney, Agent, or Firm* — Cantor Colburn LLP

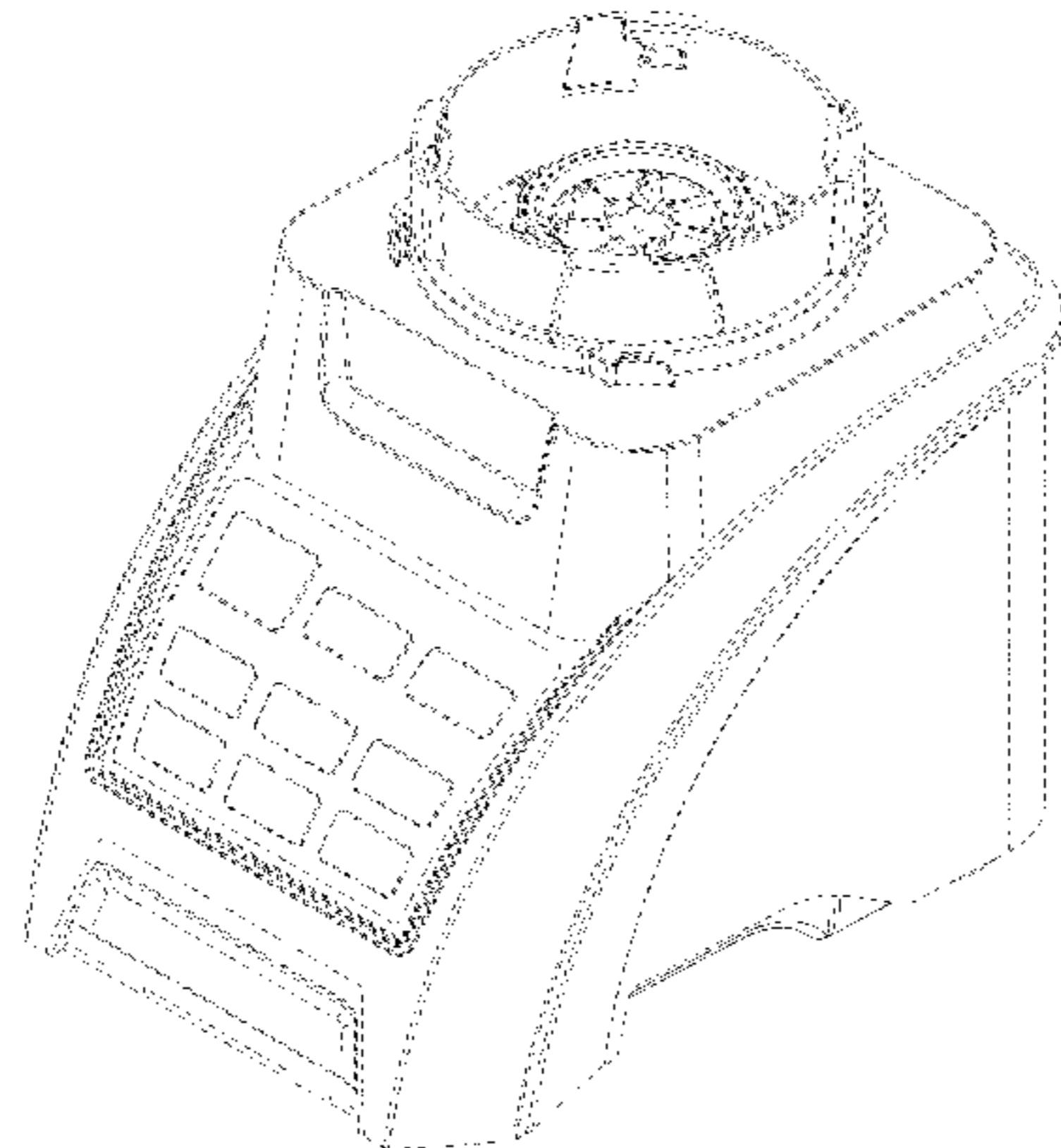
(57) **CLAIM**

The ornamental design for a blender base, as shown and described.

**DESCRIPTION**

FIG. 1 is a perspective view of an embodiment of a blender base showing our new design;  
FIG. 2 is a front elevational view thereof;  
FIG. 3 is a rear elevational view thereof;  
FIG. 4 is a left side elevational view thereof;  
FIG. 5 is a right side elevational view thereof;  
FIG. 6 is a top plan view thereof; and,  
FIG. 7 is a bottom plan view thereof.  
The broken lines in the drawings illustrate part of the container form no part of the claimed design.

**1 Claim, 7 Drawing Sheets**



**Related U.S. Application Data**

continuation of application No. 29/519,682, filed on Mar. 6, 2015, now Pat. No. Des. 793,153.

(56)

**References Cited**

U.S. PATENT DOCUMENTS

D293,195 S 12/1987 Kim  
 D302,228 S 7/1989 Barrault  
 D338,803 S 8/1993 Littmann  
 D367,583 S 3/1996 Littmann  
 D373,703 S 9/1996 Frisell  
 D404,606 S 1/1999 Huang  
 D404,607 S 1/1999 Huang  
 D444,026 S 6/2001 Chaudeurge  
 D445,637 S 7/2001 Feil  
 D450,978 S 11/2001 Smith  
 D453,662 S 2/2002 Hensel  
 D488,344 S 4/2004 Seum et al.  
 D502,047 S 2/2005 Ledingham et al.  
 D512,265 S 12/2005 McCurrach  
 D526,531 S 8/2006 Drees et al.  
 D533,395 S 12/2006 Drees et al.  
 D551,915 S 10/2007 Chang Chien  
 D552,412 S 10/2007 Steiner  
 D552,419 S 10/2007 Picozza et al.  
 D553,904 S 10/2007 Romandy  
 D567,578 S 4/2008 Chiappetta  
 D568,096 S 5/2008 Sun  
 D577,537 S 9/2008 Lee  
 D587,961 S 3/2009 Lavy  
 7,581,668 B2 9/2009 Mally  
 7,581,688 B2\* 9/2009 Mally ..... A47J 43/042  
 241/30  
 D605,462 S 12/2009 Picozza et al.  
 D611,760 S 3/2010 Ball  
 D617,136 S 6/2010 Bock et al.  
 D617,145 S 6/2010 Picozza et al.  
 D625,141 S 10/2010 Moore  
 D637,870 S 5/2011 Bock  
 D642,857 S 8/2011 Bodum  
 D644,480 S 9/2011 Czach et al.  
 D645,301 S 9/2011 Tse  
 D647,357 S 10/2011 Audette et al.  
 D647,367 S 10/2011 Audette et al.  
 D647,368 S 10/2011 Audette et al.  
 D650,229 S 12/2011 Hensel et al.  
 D654,305 S 2/2012 Gursel et al.  
 D655,981 S 3/2012 Gursel et al.  
 D658,430 S 5/2012 Hoare et al.  
 D660,642 S 5/2012 Boozer et al.  
 D667,259 S 9/2012 Lee et al.  
 D667,260 S 9/2012 Lee et al.  
 D667,261 S 9/2012 Lee et al.  
 D668,100 S 10/2012 Palermo et al.  
 D674,235 S 1/2013 Lee et al.  
 D674,658 S 1/2013 Fouquet  
 D677,976 S 3/2013 Palermo et al.  
 D690,152 S 9/2013 Palermo et al.  
 D694,573 S 12/2013 Norland et al.  
 D694,574 S 12/2013 Norland et al.  
 D694,582 S 12/2013 Norland  
 D694,583 S 12/2013 Norland  
 D695,060 S 12/2013 Penaherrera et al.  
 D696,063 S 12/2013 Coakley et al.  
 D702,078 S 4/2014 Coakley et al.  
 D704,502 S 5/2014 Coakley et al.  
 D708,007 S 7/2014 Lazzar  
 D711,688 S 8/2014 Prats  
 D730,681 S 6/2015 Smith et al.  
 D730,682 S 6/2015 Tu  
 D730,683 S 6/2015 Tu  
 D731,850 S 6/2015 Smith  
 D733,488 S 7/2015 Tu  
 D745,316 S 12/2015 Usmar  
 D745,317 S 12/2015 Dichraff et al.  
 9,265,381 B2 2/2016 Beber et al.

D755,003 S 5/2016 Palermo et al.  
 D758,126 S 6/2016 Benoit et al.  
 D761,617 S 7/2016 Dennisur et al.  
 D765,462 S 9/2016 Davies  
 D765,465 S 9/2016 Du  
 D766,649 S 9/2016 Suzuki  
 9,439,538 B2 9/2016 Paget  
 D771,999 S 11/2016 Kettavong et al.  
 D772,011 S 11/2016 Barquin et al.  
 D772,650 S 11/2016 Barquin et al.  
 D773,247 S 12/2016 Barquin et al.  
 D773,248 S 12/2016 Barquin et al.  
 D773,249 S 12/2016 Barquin et al.  
 D778,665 S 2/2017 Barquin et al.  
 D779,265 S \* 2/2017 Barquin ..... D7/378  
 D780,507 S 3/2017 Barquin et al.  
 D783,340 S 4/2017 Palermo et al.  
 D783,355 S 4/2017 Tu  
 D786,613 S 5/2017 McConnell et al.  
 D786,614 S 5/2017 Smith et al.  
 D786,615 S 5/2017 Tsai  
 D787,882 S 5/2017 McConnell et al.  
 D787,883 S 5/2017 Tu  
 D788,520 S \* 6/2017 Blaise ..... D7/376  
 D789,735 S 6/2017 Palermo et al.  
 D789,736 S 6/2017 Palermo et al.  
 9,675,212 B2 6/2017 Hewitt et al.  
 D793,153 S 8/2017 Tu  
 D794,384 S 8/2017 Lee  
 D795,005 S 8/2017 Coakley et al.  
 D797,496 S 9/2017 Gee, II et al.  
 D797,505 S 9/2017 Tu  
 D807,118 S \* 1/2018 Kettavong ..... D7/412  
 D808,718 S 1/2018 Coakley  
 D808,719 S 1/2018 Coakley  
 9,855,535 B2\* 1/2018 Arnett ..... B01F 7/162  
 D809,333 S \* 2/2018 Lee ..... D7/386  
 D809,334 S 2/2018 Lee  
 D809,342 S 2/2018 Coakley  
 D811,804 S \* 3/2018 Smith ..... B01F 7/162  
 D811,805 S \* 3/2018 Smith ..... D7/384  
 D811,806 S 3/2018 Bock  
 D812,963 S \* 3/2018 Smith ..... D7/384  
 D812,964 S \* 3/2018 Tu ..... D7/386  
 D813,603 S 3/2018 Tu  
 D821,806 S \* 7/2018 Coakley ..... A47J 43/042  
 D823,637 S \* 7/2018 Coakley ..... D7/386  
 2008/0089170 A1 4/2008 Larsen et al.  
 2008/0089171 A1 4/2008 Larsen et al.  
 2008/0219089 A1 9/2008 Sandford et al.  
 2009/0129200 A1 5/2009 Breviere et al.  
 2010/0246319 A1 9/2010 Pryor, Jr. et al.  
 2014/0247686 A1 9/2014 Arnett et al.  
 2016/0220071 A1 8/2016 Hewitt et al.  
 2016/0331182 A1 11/2016 Golino

FOREIGN PATENT DOCUMENTS

JP D1491536 S 3/2014  
 JP D1488258 S 1/2015  
 JP D1533047 S 9/2015  
 JP D1545614 S 3/2016  
 JP D1592330 S 12/2017  
 JP D1592331 S 12/2017  
 JP D1603847 S 5/2018  
 JP D1603848 S 5/2018  
 KR 300382339 S 5/2005  
 KR 300398683 S 11/2005

OTHER PUBLICATIONS

Notice of Completion of Formalities for Patent Register and Notice of Grant of Design Patent Right; Chinese Application No. 2017300546640; dated Jun. 21, 2017; 5 Pages.  
 Notice of Decision for Design Registration; Korean Application No. 30-2017-0009484; dated Nov. 5, 2017; 6 Pages.

(56)

**References Cited**

## OTHER PUBLICATIONS

Notice of Decision for Design Registration; Korean Application No. 30-2017-0009485; dated Nov. 5, 2017; 6 Pages.

Notice of Decision for Design Registration; Korean Design Application No. 30-2017-0009475; dated Aug. 18, 2017; 6 Pages.

Notice of Decision for Design Registration; Korean Design Application No. 30-2017-0009476; dated Sep. 11, 2017; 6 Pages.

Notice of Decision for Design Registration; Korean Design Application No. 30-2017-0009477; dated Aug. 18, 2017; 6 Pages.

Notice of Decision for Design Registration; Korean Design Application No. 30-2017-0009479; dated Aug. 22, 2017; 6 Pages.

Notice of Decision for Design Registration; Korean Design Application No. 30-2017-0009482; dated Aug. 22, 2017; 6 Pages.

Notice of Decision for Design Registration; Korean Design Application No. 30-2017-0009483; dated Aug. 18, 2017; 6 Pages.

Notice of Decision for Design Registration; Korean Design Application No. 30-2017-0009486; dated Aug. 22, 2017; 6 Pages.

Notice of Decision for Design Registration; Korean Design Application No. 30-2017-0009488; dated Aug. 22, 2017; 6 Pages.

Notice of Preliminary Rejection; Korean Application No. 30-2017-0009484; dated Aug. 18, 2017; 7 Pages.

Notice of Preliminary Rejection; Korean Application No. 30-2017-0009485; dated Aug. 18, 2017; 6 Pages.

Notice of References; Japanese Design Application No. 2015-19809; dated Jan. 8, 2016; 2 Pages.

Notice of References; Japanese Design Application No. 2015-19810; dated Jan. 8, 2016; 2 Pages.

Notice of References; Japanese Design Application No. 2015-19811; dated Jan. 8, 2016; 2 Pages.

Notice of References; Japanese Design Application No. 2015-19812; dated Jan. 8, 2016; 2 Pages.

Notice of References; Japanese Design Application No. 2015-19813; dated Jan. 8, 2016; 2 Pages.

Notice of References; Japanese Design Application No. 2015-19814; dated Jan. 8, 2016; 2 Pages.

Notice of References; Japanese Design Application No. 2015-19815; dated Jan. 8, 2016; 2 Pages.

Notice of References; Japanese Design Application No. 2015-19816; dated Jan. 8, 2016; 2 Pages.

Notice of References; Japanese Design Application No. 2015-19817; dated Jan. 8, 2016; 2 Pages.

Notification of Reasons for Rejection; Japanese Design Application No. 2017-003904; dated Jun. 9, 2017; 3 Pages.

Notification of Reasons for Rejection; Japanese Design Application No. 2017-003905; dated Jun. 9, 2017; 3 Pages.

Requirement for Restriction/Election; Blender; U.S. Appl. No. 29/519,682, filed Mar. 6, 2015; 6 Pages.

Requirement for Restriction/Election; Blender; U.S. Appl. No. 29/527,670, filed May 21, 2015; 6 Pages.

Requirement for Restriction/Election; Blender; U.S. Appl. No. 29/531,840, filed Jun. 30, 2015; 7 Pages.

Requirement for Restriction/Election; Blender; U.S. Appl. No. 29/600,129, filed Apr. 10, 2017; dated Oct. 10, 2017; 30 Pages.

Requirement for Restriction/Election; Blender; U.S. Appl. No. 29/604,189, filed May 16, 2017; dated Oct. 10, 2017; 33 Pages.

Requirement for Restriction/Election; U.S. Appl. No. 29/576,018, filed Aug. 31, 2016; Food Processor and Parts Thereof; dated Jul. 6, 2017; 7 Pages.

Requirement for Restriction/Election; U.S. Appl. No. 29/576,020, filed Aug. 31, 2016; Food Processor and Parts Thereof; dated Jul. 5, 2017; 7 Pages.

Requirement for Restriction/Election; U.S. Appl. No. 29/576,021, filed Aug. 31, 2016; Food Processor and Parts Thereof; dated Jul. 6, 2017; 7 Pages.

Walmart; "Oster 600-Watt Fusion Blender, BRLY07-B00-000"; URL: <http://www.walmart.com/ip/Oster-600-Watt-Fusion-Blender/9604653>; URL Accessed: Jul. 29, 2016; 8 Pages.

WMF Wurttembergische Metallwarenfabrik; 61 3024 5401; JPO Publicly Known Design No. HJ26034868; Listed in Notice of Allowance Received in JP Appln. No. 2017-019764, dated Mar. 9, 2018; 3 Pages.

Application for Registration of an Industrial Design Examiner's Report; Canadian Application No. 172856; dated May 31, 2017; 3 Pages.

Application for Registration of an Industrial Design Examiner's Report; Canadian Application No. 172856; dated Sep. 20, 2017; 2 Pages.

Application for Registration of an Industrial Design Examiner's Report; Canadian Application No. 172857; dated May 31, 2017; 3 Pages.

Application for Registration of an Industrial Design Examiner's Report; Canadian Application No. 172857; dated Sep. 20, 2017; 2 Pages.

Application for Registration of an Industrial Design Examiner's Report; Canadian Application No. 176806; dated Oct. 30, 2017; 2 Pages.

Application for Registration of an Industrial Design Examiner's Report; Canadian Application No. 176806; dated Mar. 26, 2018; 4 Pages.

Application for Registration of an Industrial Design Examiner's Report; Canadian Application No. 176809; dated Oct. 30, 2017; 2 Pages.

Application for Registration of an Industrial Design Examiner's Report; Canadian Application No. 176809; dated Mar. 26, 2018; 4 Pages.

Design No. 28449; Soviet Design Gazette; vol. 3; Published: Sep. 15, 1990; pp. 180-181.

Examination Report; Community Design(s) Registration No(s). 004676815-0001 through 004676815-0008; dated Jan. 29, 2018; 2 Pages.

Examination Report; Community Design(s) Registration No(s). 004676864-0001 through 004676864-0008; dated Jan. 29, 2018; 2 Pages.

Formalities Notice No. 1—Requirements for Registration Not Met; Australian Design Application No. 201810355; dated Feb. 15, 2018; 3 Pages.

Formalities Notice No. 1—Requirements for Registration Not Met; Australian Design Application No. 201810356; dated Feb. 15, 2018; 3 Pages.

Formalities Notice No. 1—Requirements for Registration Not Met; Australian Design Application No. 201810357; dated Feb. 15, 2018; 3 Pages.

Japanese Design No. D1491535 (S); Publication Date: Mar. 3, 2014; Machine Translation; 9 Pages.

Japanese Design No. D1491536 (S); Publication Date: Mar. 3, 2014; Machine Translation; 9 Pages.

Japanese Design No. D1518840 (S); Publication Date: Mar. 9, 2015; Machine Translation; 10 Pages.

Japanese Design No. D1523840 (S); Publication Date: May 18, 2015; Machine Translation; 9 Pages.

Japanese Design No. D1528172 (S); Publication Date: Jul. 6, 2015; Machine Translation; 9 Pages.

Japanese Design No. D1533047 (S); Publication Date: Sep. 7, 2015; Machine Translation; 9 Pages.

Japanese Design No. D1545614 (S); Publication Date: Mar. 14, 2016; Machine Translation; 6 Pages.

Japanese Design No. D1592330 (S); Publication Date: Dec. 4, 2017; Machine Translation; 14 Pages.

Japanese Design No. D1592331 (S); Publication Date: Dec. 4, 2017; Machine Translation; 14 Pages.

Notice of Allowance; Blender Base; U.S. Appl. No. 29/531,840, filed Jun. 30, 2015; dated Oct. 4, 2016; 7 Pages.

Notice of Allowance; Blender Base; U.S. Appl. No. 29/531,840, filed Jun. 30, 2015; dated Nov. 25, 2016; 11 Pages.

Notice of Allowance; Blender Base; U.S. Appl. No. 29/531,840, filed Jun. 30, 2015; dated Feb. 16, 2017; 11 Pages.

Notice of Allowance; Blender; U.S. Appl. No. 29/604,189, filed May 16, 2017; dated Jan. 31, 2018; 21 Pages.

Notice of Allowance; Blender; U.S. Appl. No. 29/519,682, filed Mar. 6, 2015; dated Aug. 12, 2016; 6 Pages.

(56)

**References Cited**

## OTHER PUBLICATIONS

Notice of Allowance; Blender; U.S. Appl. No. 29/519,682, filed Mar. 6, 2015; dated Sep. 23, 2016; 12 Pages.

Notice of Allowance; Blender; U.S. Appl. No. 29/527,670, filed May 21, 2015; dated Aug. 9, 2016; 7 Pages.

Notice of Allowance; Blender; U.S. Appl. No. 29/527,670, filed May 21, 2015; dated Sep. 27, 2016; 12 Pages.

Notice of Allowance; Japanese Application No. 2017-003904; dated Oct. 6, 2017; 4 Pages.

Notice of Allowance; Japanese Application No. 2017-003905; dated Oct. 6, 2017; 4 Pages.

Notice of Allowance; Japanese Application No. 2017-018724; dated Mar. 9, 2018; 4 Pages.

Notice of Allowance; Japanese Application No. 2017-018725; dated Mar. 9, 2018; 4 Pages.

Notice of Allowance; Japanese Application No. 2017-019764; dated Mar. 9, 2018; 4 Pages.

Notice of Allowance; Japanese Application No. 2017-019765; dated Mar. 9, 2018; 4 Pages.

Notice of Allowance; U.S. Appl. No. 29/519,682, filed Mar. 6, 2015; Blender; dated Jan. 9, 2017; 11 Pages.

Notice of Allowance; U.S. Appl. No. 29/527,670, filed May 21, 2015; Blender; dated Jan. 9, 2017; 11 Pages.

Notice of Allowance; U.S. Appl. No. 29/576,021, filed Aug. 31, 2016; Food Processor and Parts Thereof; dated Nov. 15, 2017; 34 Pages.

Notice of Allowance; U.S. Appl. No. 29/600,126, filed Apr. 10, 2017; Blender; dated Nov. 15, 2017; 21 Pages.

Notice of Allowance; U.S. Appl. No. 29/576,018, filed Aug. 31, 2016; Food Processor and Parts Thereof; dated Oct. 25, 2017; 27 Pages.

Notice of Allowance; U.S. Appl. No. 29/576,020, filed Aug. 31, 2016; Food Processor and Parts Thereof; dated Oct. 16, 2017; 32 Pages.

Notice of Completion of Formalities for Patent Register and Notice of Grant of Design Patent Right; Chinese Application No. 2017300502943; dated Jun. 19, 2017; 5 Pages.

Notice of Completion of Formalities for Patent Register and Notice of Grant of Design Patent Right; Chinese Application No. 2017300505640; dated Jul. 11, 2017; 5 Pages.

Notice of Completion of Formalities for Patent Register and Notice of Grant of Design Patent Right; Chinese Application No. 201730050566X; dated Jul. 10, 2017; 5 Pages.

Notice of Completion of Formalities for Patent Register and Notice of Grant of Design Patent Right; Chinese Application No. 2017300521056; dated Aug. 29, 2017; 5 Pages.

Notice of Completion of Formalities for Patent Register and Notice of Grant of Design Patent Right; Chinese Application No. 201730052179X; dated Aug. 2, 2017; 5 Pages.

Notice of Completion of Formalities for Patent Register and Notice of Grant of Design Patent Right; Chinese Application No. 2017300523386; dated Jul. 6, 2017; 5 Pages.

Notice of Completion of Formalities for Patent Register and Notice of Grant of Design Patent Right; Chinese Application No. 2017300541897; dated Jul. 18, 2017; 5 Pages.

JP Notice of Allowance with English Translation; Japanese Design Application No. 2018-1279; dated Sep. 28, 2018; pp. 1-6.

JP Notice of Allowance with English Translation; Japanese Design Application No. 2018-1280; dated Sep. 28, 2018; pp. 1-6.

JP Notice of Allowance with English Translation; Japanese Design Application No. 2018-1281; dated Sep. 28, 2018; pp. 1-6.

JP Notice of Allowance with English Translation; Japanese Design Application No. 2018-1282; dated Sep. 28, 2018; pp. 1-6.

JP Notice of Allowance with English Translation; Japanese Design Application No. 2018-1284; dated Sep. 28, 2018; pp. 1-6.

JP Notice of Allowance with English Translation; Japanese Design Application No. 2018-1285; dated Sep. 28, 2018; pp. 1-6.

JP Notice of Allowance with English Translation; Japanese Design Application No. 2018-1286; dated Sep. 28, 2018; pp. 1-6.

JP Notice of Allowance with English Translation; Japanese Design Application No. 2018-1287; dated Sep. 28, 2018; pp. 1-6.

JP Notice of Allowance with English Translation; Japanese Design Application No. 2018-1289; dated Sep. 28, 2018; pp. 1-6.

JP Notice of Allowance with English Translation; Japanese Design Application No. 2018-1292; dated Sep. 28, 2018; pp. 1-6.

JP Notice of Allowance with English Translation; Japanese Design Application No. 2018-1293; dated Sep. 28, 2018; pp. 1-6.

JP Notice of Allowance with English Translation; Japanese Design Application No. 2018-1295; dated Sep. 28, 2018; pp. 1-6.

JP Notice of Allowance with English Translation; Japanese Design Application No. 2018-1296; dated Sep. 28, 2018; pp. 1-6.

JP Notice of Allowance with English Translation; Japanese Design Application No. 2018-1297; dated Sep. 28, 2018; pp. 1-6.

JP Notice of Allowance with English Translation; Japanese Design Application No. 2018-1298; dated Sep. 28, 2018; pp. 1-6.

JP Notice of Allowance with English Translation; Japanese Design Application No. 2018-6518; dated Sep. 28, 2018; pp. 1-6.

Notice of Allowance; Food Processor and Parts Thereof; U.S. Appl. No. 29/611,681, filed Jul. 24, 2017; dated Sep. 21, 2018; 1-56 Pages.

Requirement for Restriction/Election; Food Processor and Parts Thereof; U.S. Appl. No. 29/611,684, filed Jul. 24, 2017; 1-50 Pages.

Requirement for Restriction/Election; Food Processor and Parts Thereof; U.S. Appl. No. 29/611,685, filed Jul. 24, 2017; 1-50 Pages.

Requirement for Restriction/Election; Food Processor and Parts Thereof; U.S. Appl. No. 29/633,798, filed Jan. 16, 2018; 1-20 Pages.

Requirement for Restriction/Election; Food Processor and Parts Thereof; U.S. Appl. No. 29/634,264, filed Jan. 19, 2018; 1-20 Pages.

Requirement for Restriction/Election; Food Processor and Parts Thereof; U.S. Appl. No. 29/637,154, filed Feb. 14, 2018; 1-21 Pages.

Requirement for Restriction/Election; Food Processor and Parts Thereof; U.S. Appl. No. 29/637,154, filed Feb. 14, 2018; 1-21 Pages.

Requirement for Restriction/Election; Food Processor and Parts Thereof; U.S. Appl. No. 29/637,154, filed Feb. 14, 2018; 1-21 Pages.

\* cited by examiner

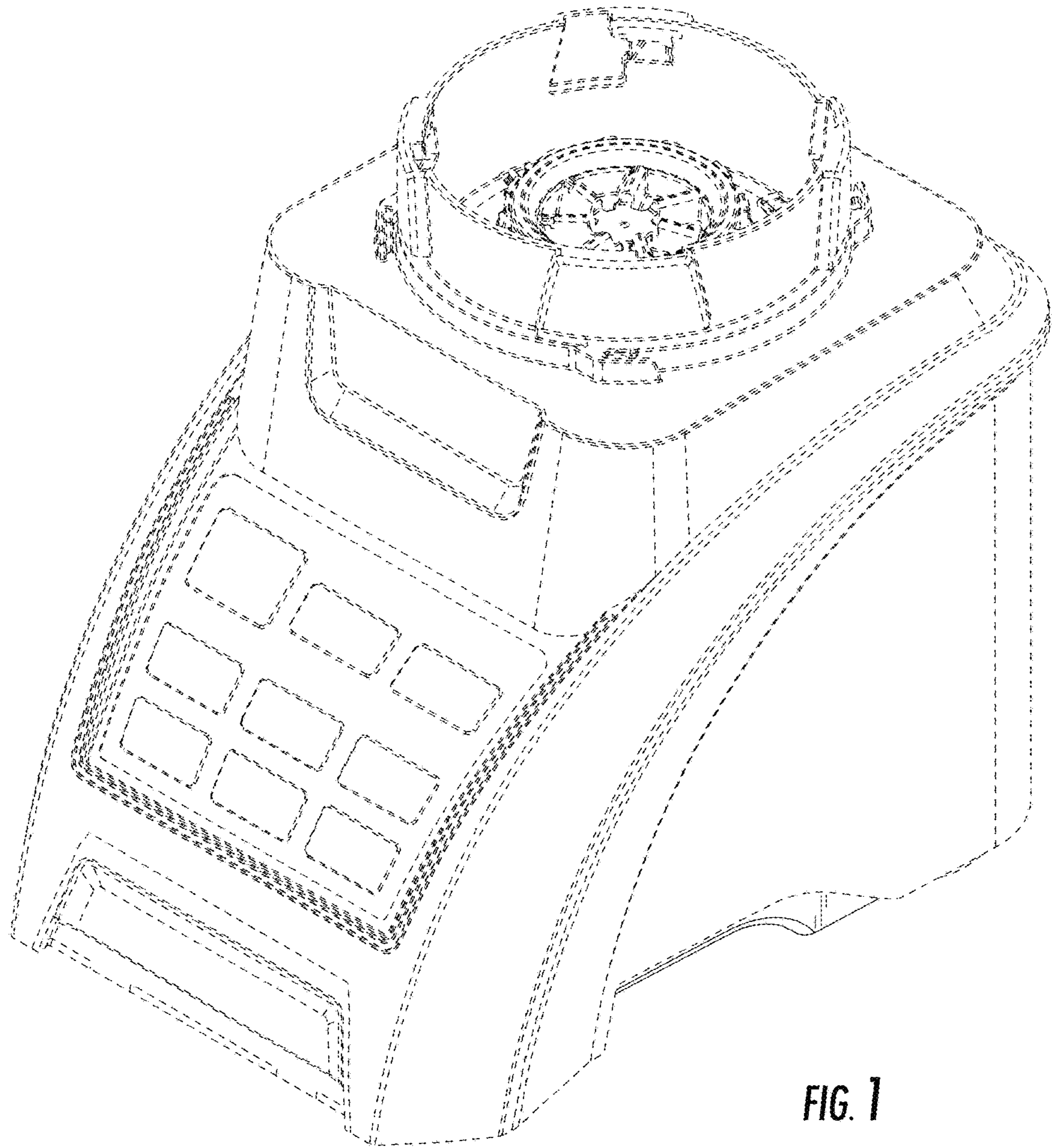


FIG. 1

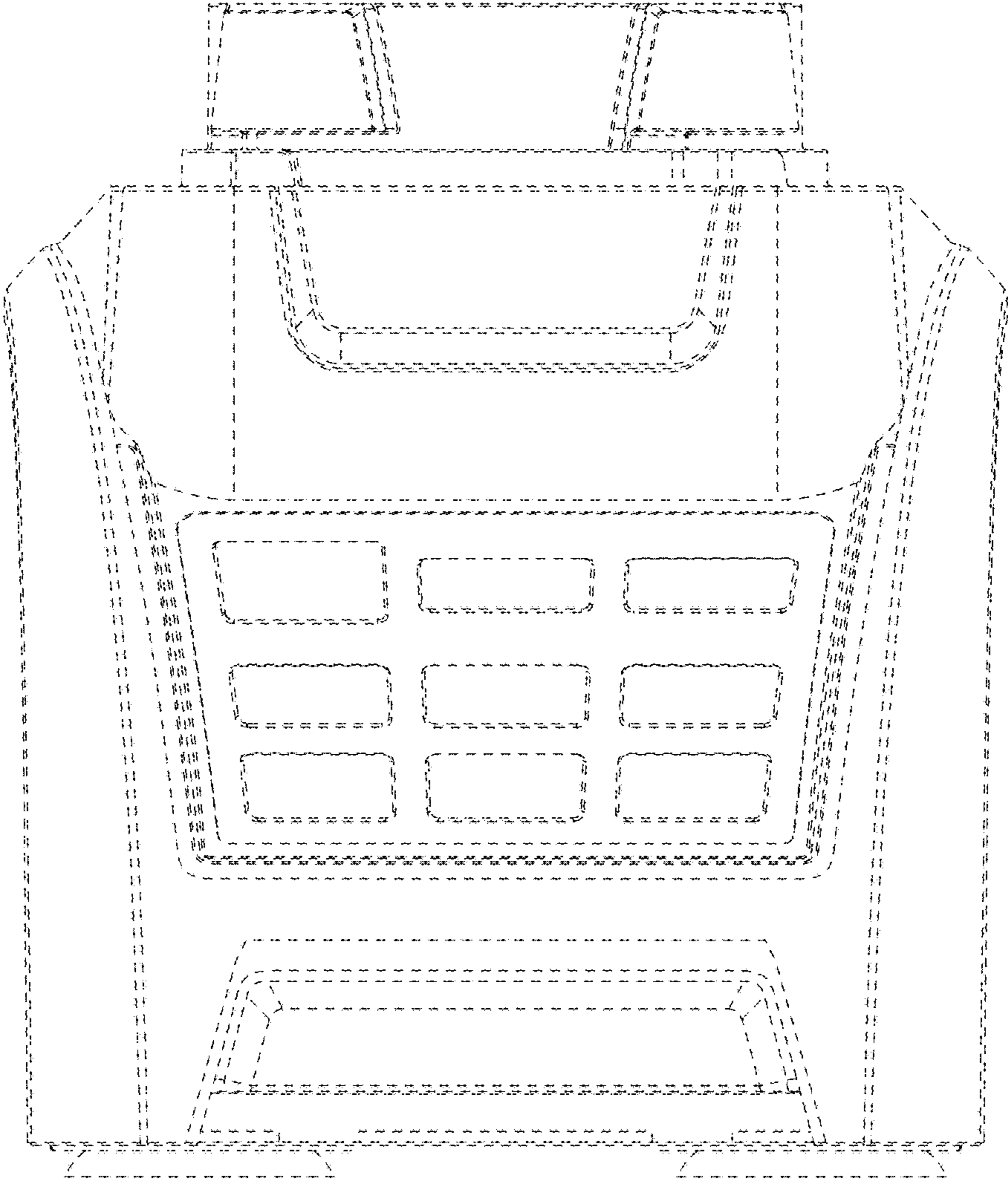


FIG. 2

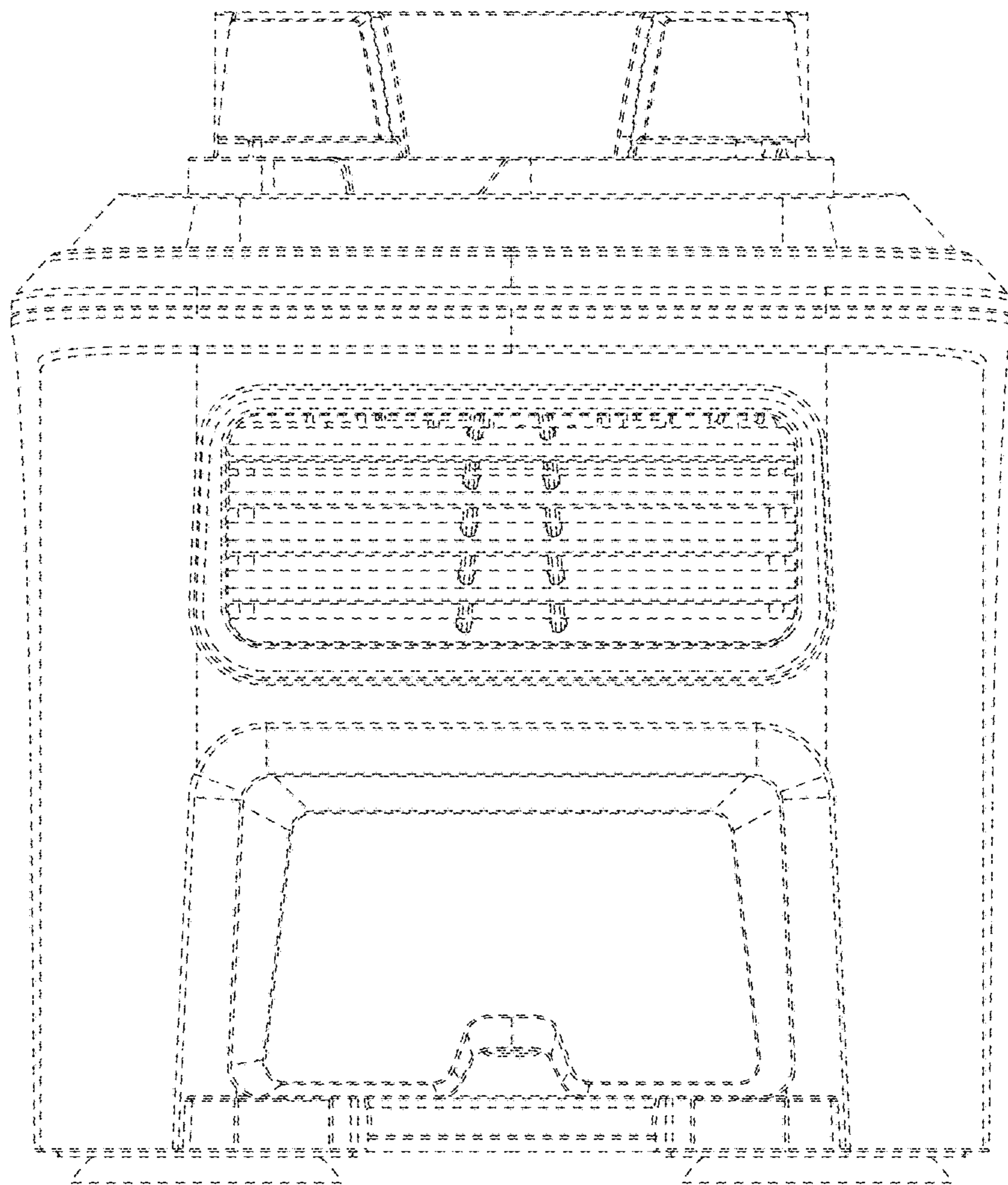


FIG. 3

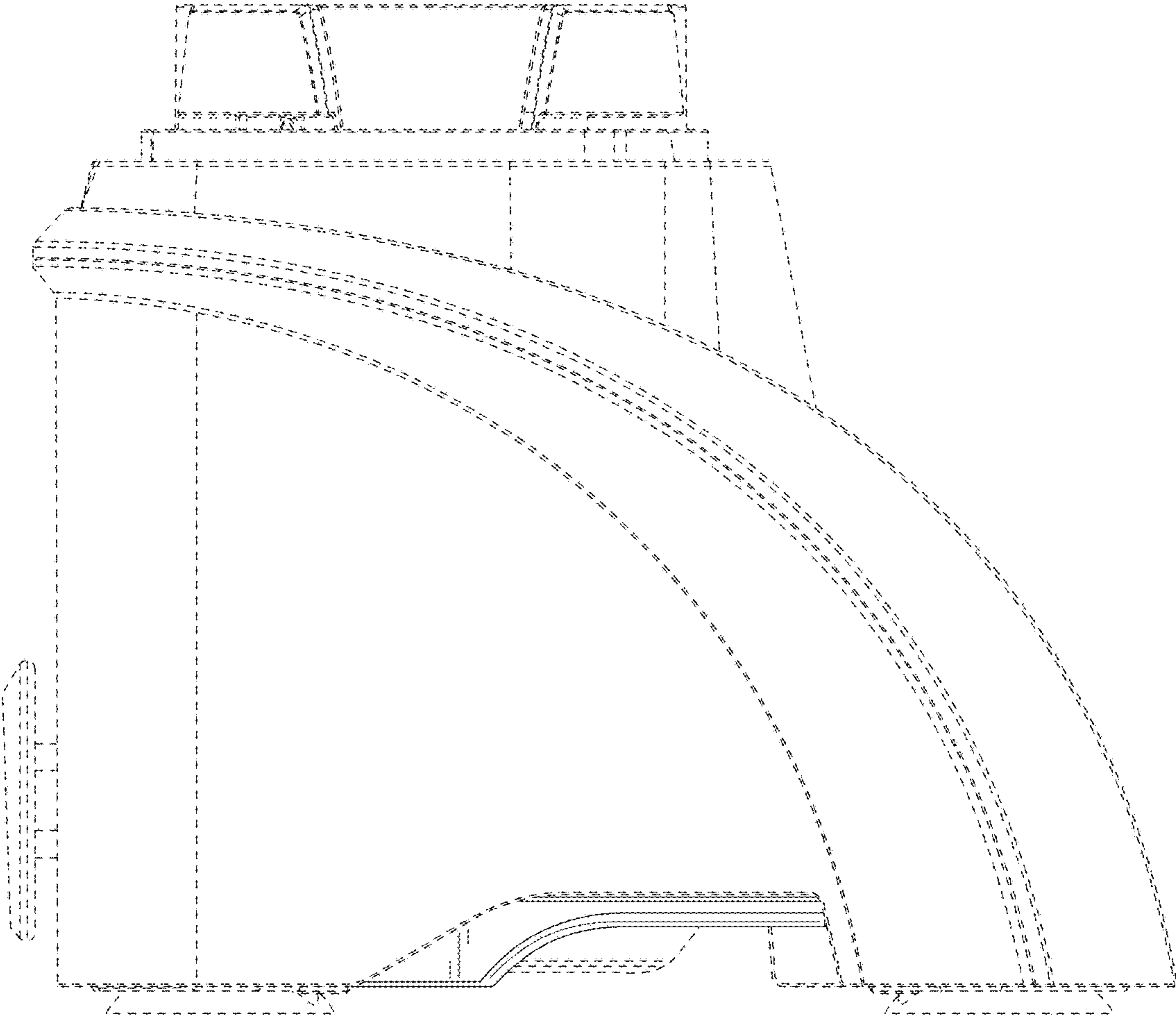


FIG. 4



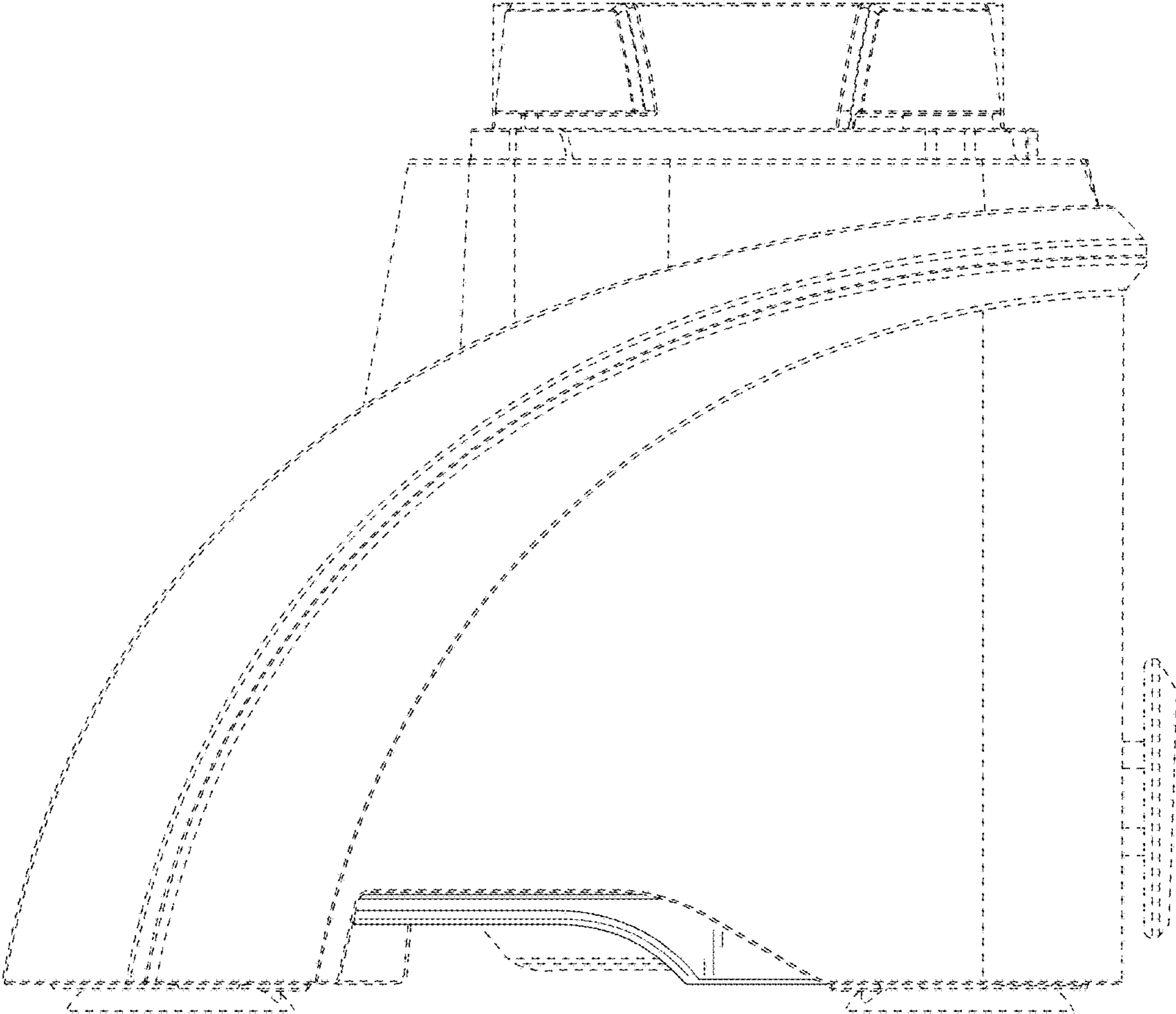


FIG. 5

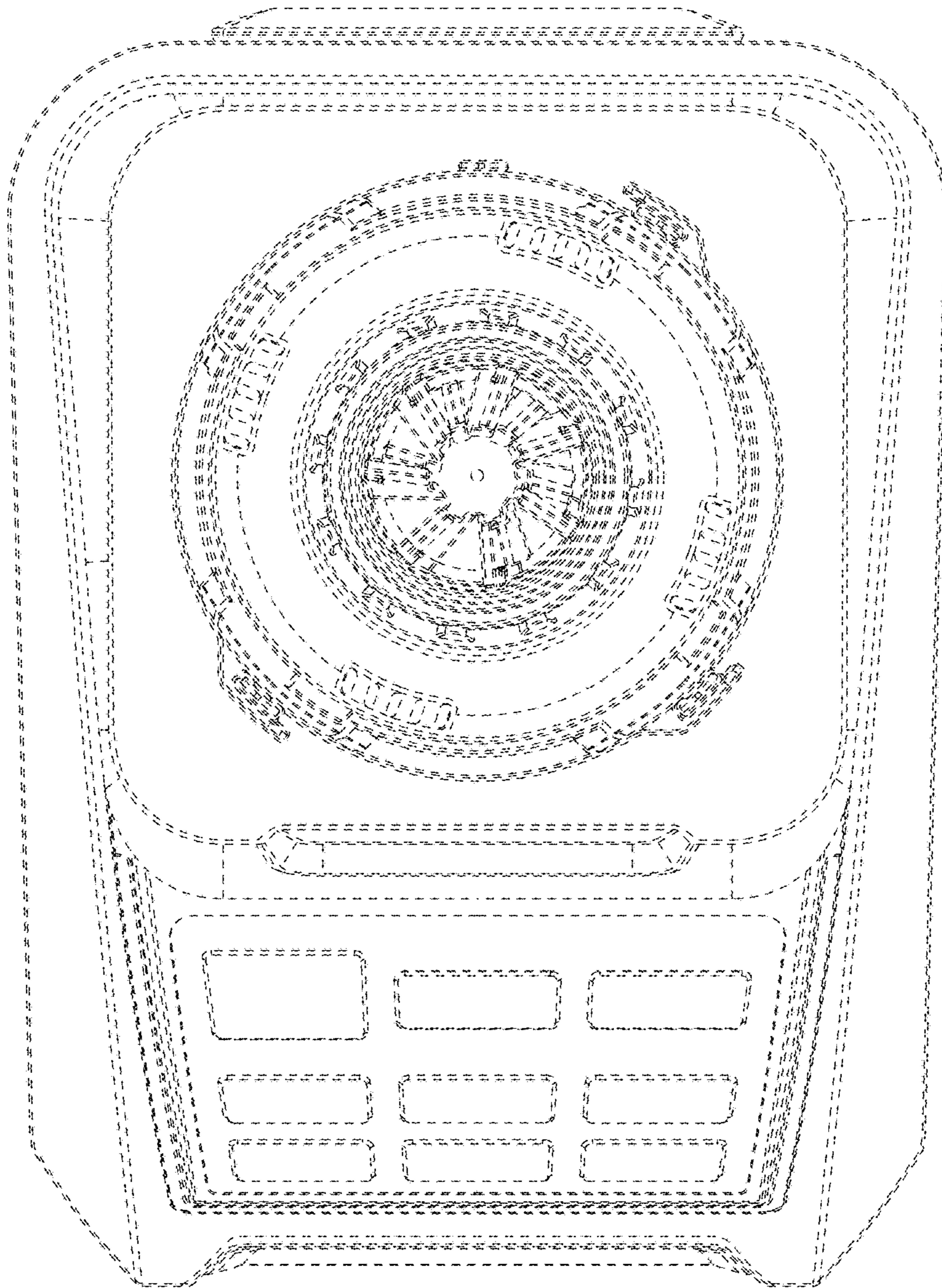


FIG. 6

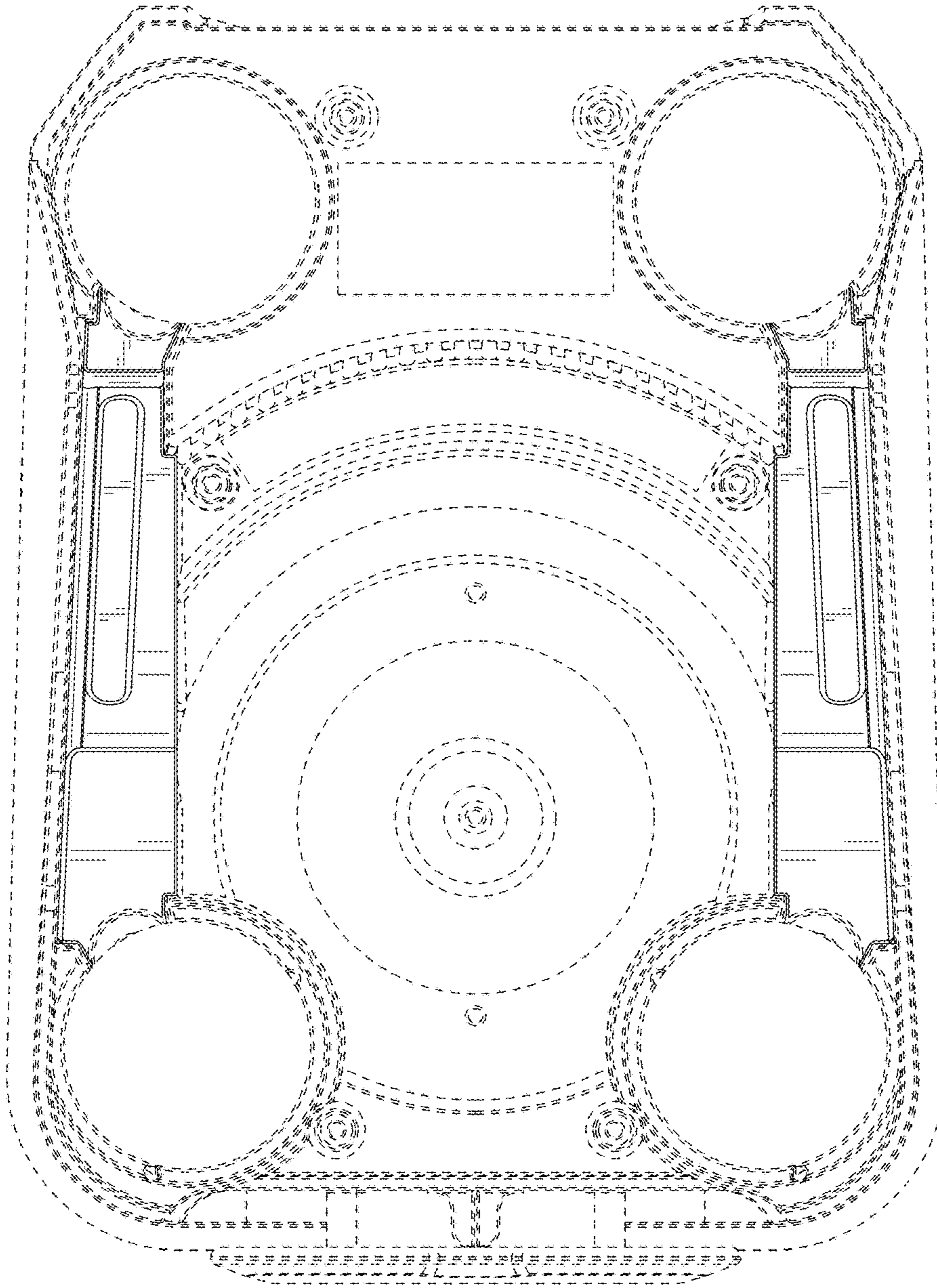


FIG. 7