



US00D847558S

(12) **United States Design Patent** (10) **Patent No.:** **US D847,558 S**  
**Hoff et al.** (45) **Date of Patent:** **\*\* May 7, 2019**

(54) **PREPARATION AND COOKING APPLIANCE**

FOREIGN PATENT DOCUMENTS

(71) Applicant: **Access Business Group International LLC**, Ada, MI (US)

EP 1932458 6/2008  
EP 2298144 3/2011

(Continued)

(72) Inventors: **Susan K. Hoff**, Belmont, MI (US);  
**Matthew Wright**, Suffolk (GB)

OTHER PUBLICATIONS

(73) Assignee: **Access Business Group International LLC**, Ada, MI (US)

MasterSous: A Revolutionary All-in-One Cooking Device by James Collins, <https://www.kickstarter.com/projects/488753470/mastersoustm-a-revolutionary-all-in-one-cooking-de>, pp. 1-22, believed to be publicly available at least as early as Dec. 11, 2017.

(\*\*) Term: **15 Years**

(21) Appl. No.: **29/629,164**

*Primary Examiner* — Ricky Pham

(22) Filed: **Dec. 12, 2017**

(74) *Attorney, Agent, or Firm* — Warner Norcross + Judd LLP

(51) **LOC (11) Cl.** ..... **31-00**

(52) **U.S. Cl.**

USPC ..... **D7/384**; D7/376; D7/378

(57) **CLAIM**

(58) **Field of Classification Search**

USPC ..... D7/326, 372, 376–386, 412–413, 602,  
D7/629, 665–666, 669, 679, 693–694

CPC .... A21C 1/02; A21C 1/04; A23N 1/00; A23N  
1/02; A47J 43/04; A47J 43/25; A47J  
43/27; A47J 43/042; A47J 43/044; A47J  
43/046; A47J 43/075; A47J 43/0722;

A47J 43/0727; B01F 3/00; B01F 3/0807;  
B01F 3/0853; B01F 13/0059; B01F  
13/0064; B02C 1/08; B02C 2/04; B02C  
4/42; B02C 4/142; B02C 4/143; B02C  
4/423; B02C 13/1835; B28C 5/10; B28C  
5/12; B28C 5/14; B28C 5/16

See application file for complete search history.

The ornamental design for preparation and cooking appliance, as shown and described.

**DESCRIPTION**

FIG. 1 is a perspective view of the preparation and cooking appliance of the new design;  
FIG. 2 is a right side view thereof;  
FIG. 3 is a left side view thereof;  
FIG. 4 is a front view thereof;  
FIG. 5 is a rear view thereof;  
FIG. 6 is a top view thereof; and,  
FIG. 7 is a bottom view thereof.

The claimed portions of the preparation and cooking appliance are shaded. FIGS. 1-5 and 7 show features of the preparation and cooking appliance in broken lines. These features are shown for environmental purposes and do not form any part of the claimed design. Further, the broken lines immediately adjacent the solid-line portions of the design form the boundary of the design, with the broken lines forming no part of the claimed design.

(56) **References Cited**

U.S. PATENT DOCUMENTS

D191,152 S \* 8/1961 Rawson et al. .... D7/378  
3,176,968 A \* 4/1965 Appleton ..... A47J 43/046  
219/433

D383,642 S \* 9/1997 Feil ..... D7/376

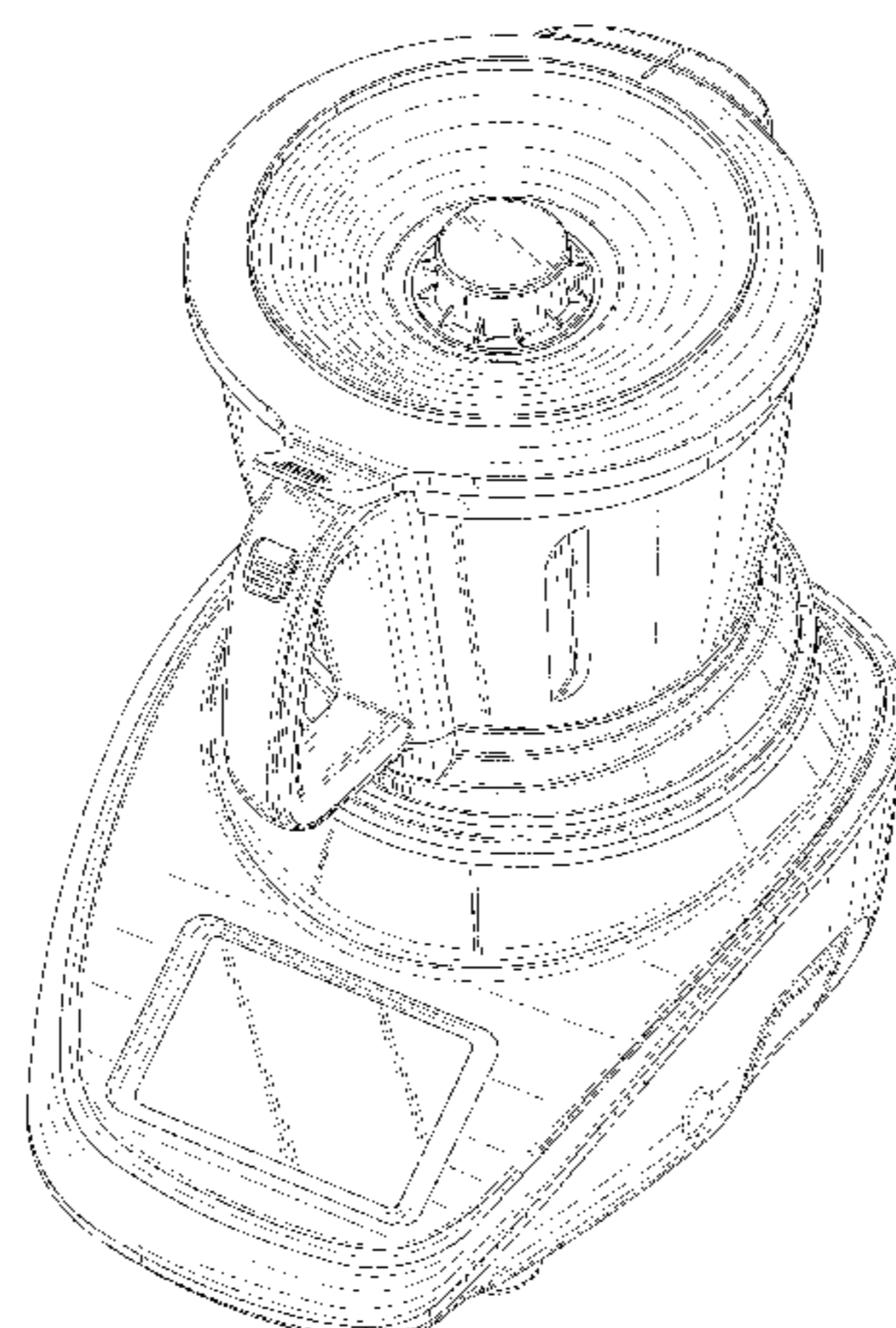
D385,149 S \* 10/1997 Feil ..... D7/378

D404,247 S 1/1999 Spagnolo

D404,606 S 1/1999 Huang

(Continued)

**1 Claim, 6 Drawing Sheets**



(56)

References Cited

U.S. PATENT DOCUMENTS

D445,634 S 7/2001 Feil  
 D475,238 S \* 6/2003 Feil ..... D7/376  
 D532,251 S \* 11/2006 Kassenaar ..... D7/378  
 D542,084 S 5/2007 Moore  
 D542,086 S \* 5/2007 Moore ..... D7/386  
 D638,653 S \* 5/2011 Borin ..... D7/326  
 7,959,347 B2 6/2011 Pryor, Jr. et al.  
 D641,197 S \* 7/2011 Borin ..... D7/326  
 D645,301 S 9/2011 Tse  
 8,147,125 B2 4/2012 Boozer et al.  
 D671,356 S 11/2012 Huang et al.  
 D688,911 S \* 9/2013 Chiarini ..... D7/376  
 8,941,033 B2 1/2015 De'Longhi  
 D735,523 S 8/2015 Mishima et al.  
 D745,316 S \* 12/2015 Usmar ..... D7/376  
 9,211,028 B2 12/2015 Cheung et al.  
 D750,936 S 3/2016 Kemker et al.  
 D751,857 S 3/2016 Kemker et al.  
 D761,615 S \* 7/2016 Dickson, Jr. .... D7/376  
 D772,001 S 11/2016 Kemker et al.

D788,521 S \* 6/2017 Blaise ..... D7/376  
 D796,896 S 9/2017 Blaise  
 D798,101 S 9/2017 Rose et al.  
 9,924,825 B2 3/2018 Zakowski et al.  
 10,028,616 B2 7/2018 Nespoux et al.  
 2002/0027175 A1 3/2002 Capp  
 2003/0193833 A1 10/2003 Wulf et al.  
 2006/0263501 A1 11/2006 Oghafua et al.  
 2008/0223963 A1 9/2008 Mally  
 2013/0077433 A1 3/2013 Conti  
 2013/0134246 A1 5/2013 Gushwa  
 2014/0117130 A1 5/2014 Conti et al.  
 2015/0041577 A1 2/2015 Paget  
 2017/0099984 A1 4/2017 Koetz

FOREIGN PATENT DOCUMENTS

WO 2006092500 9/2006  
 WO 2008068406 6/2008  
 WO 2015075476 5/2015  
 WO 2016101157 6/2016

\* cited by examiner

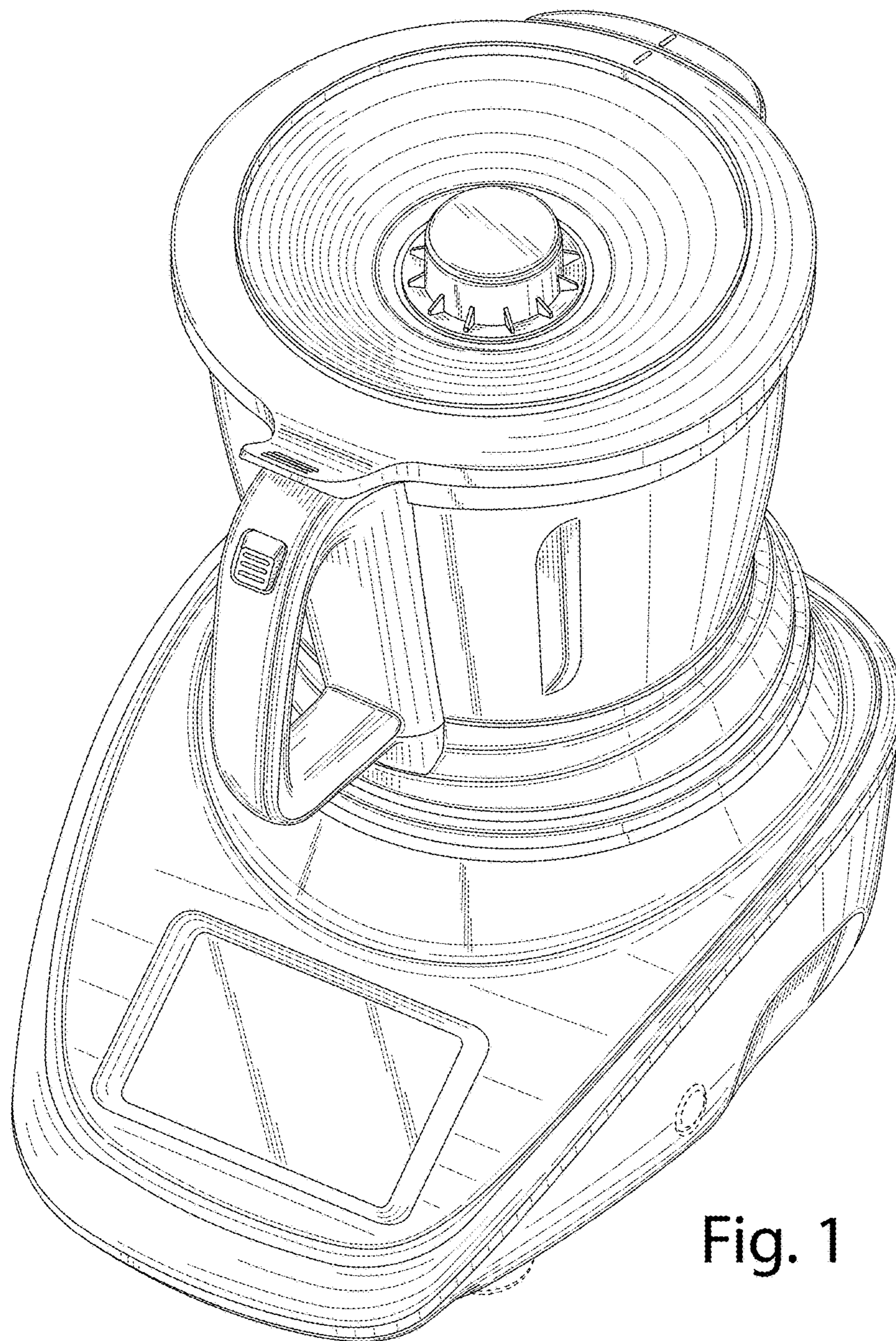


Fig. 1

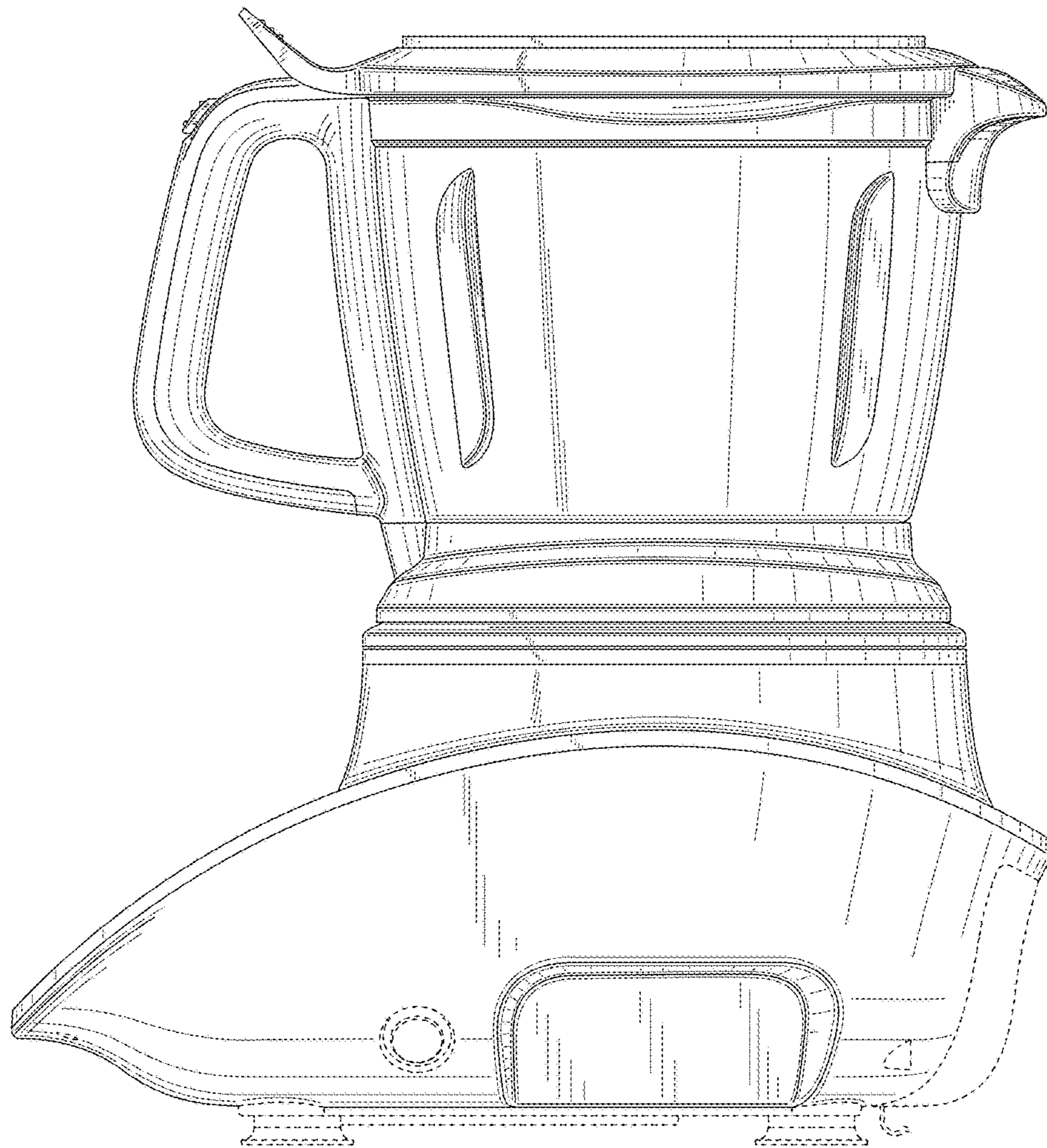


Fig. 2

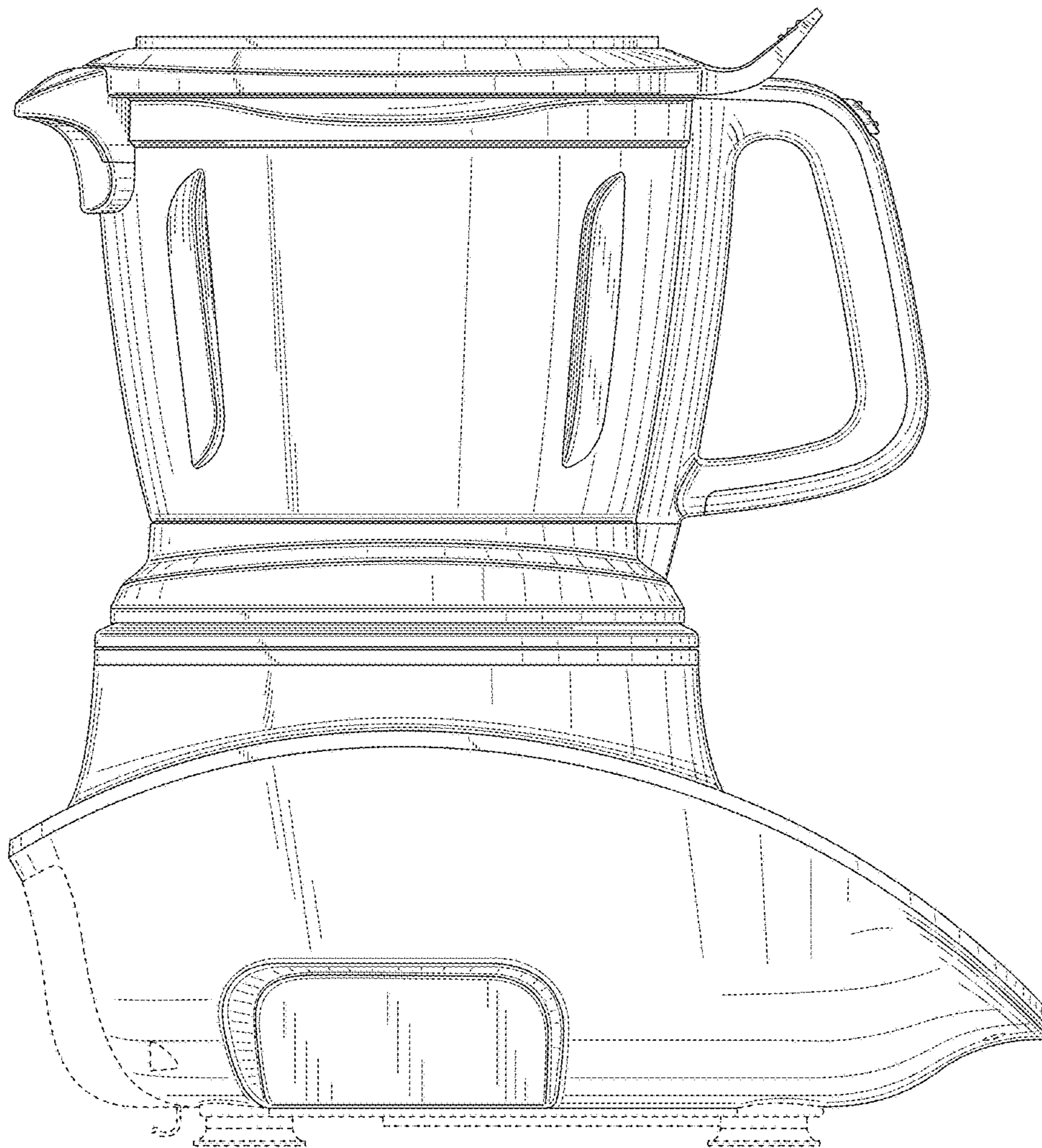


Fig. 3

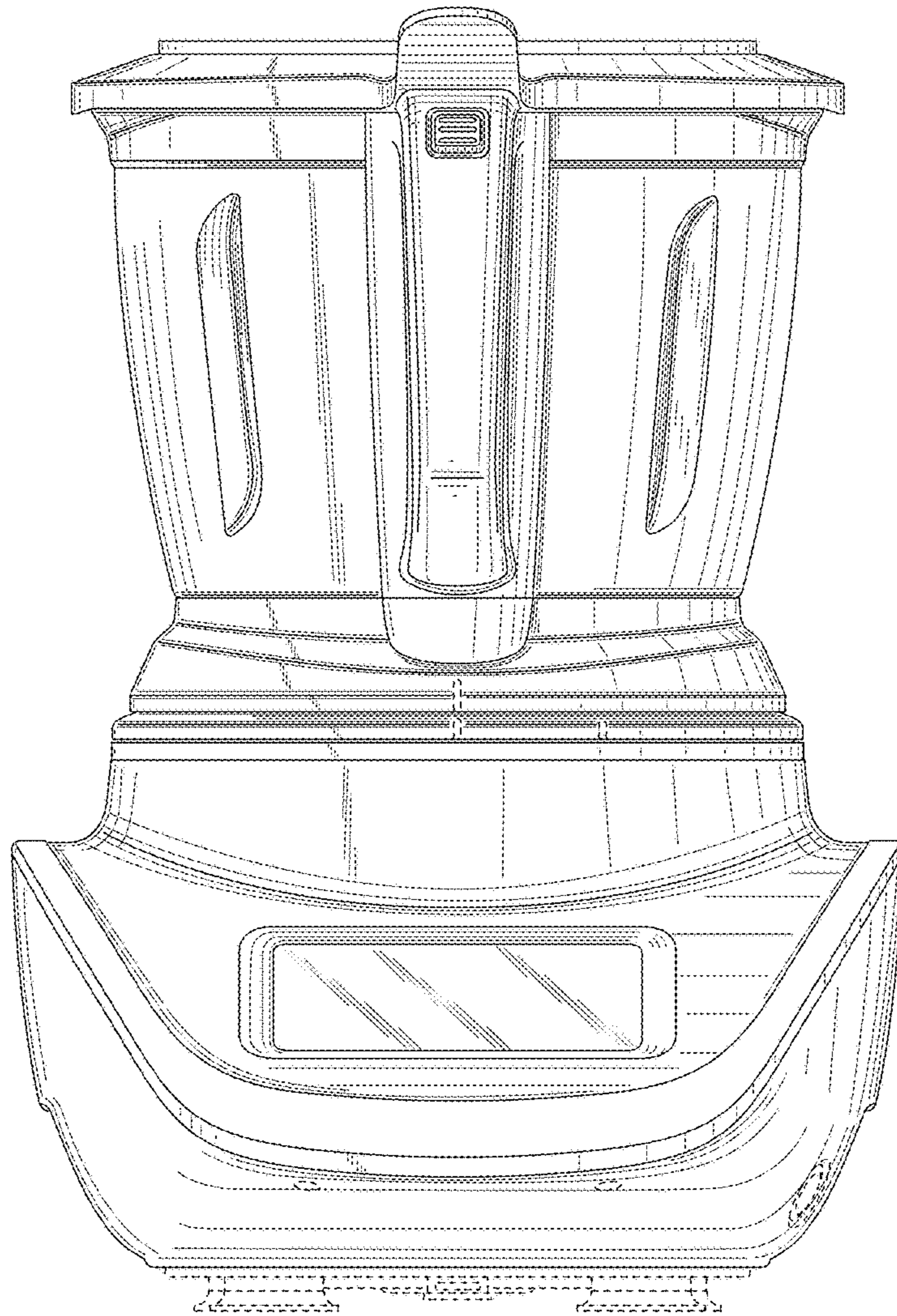


Fig. 4

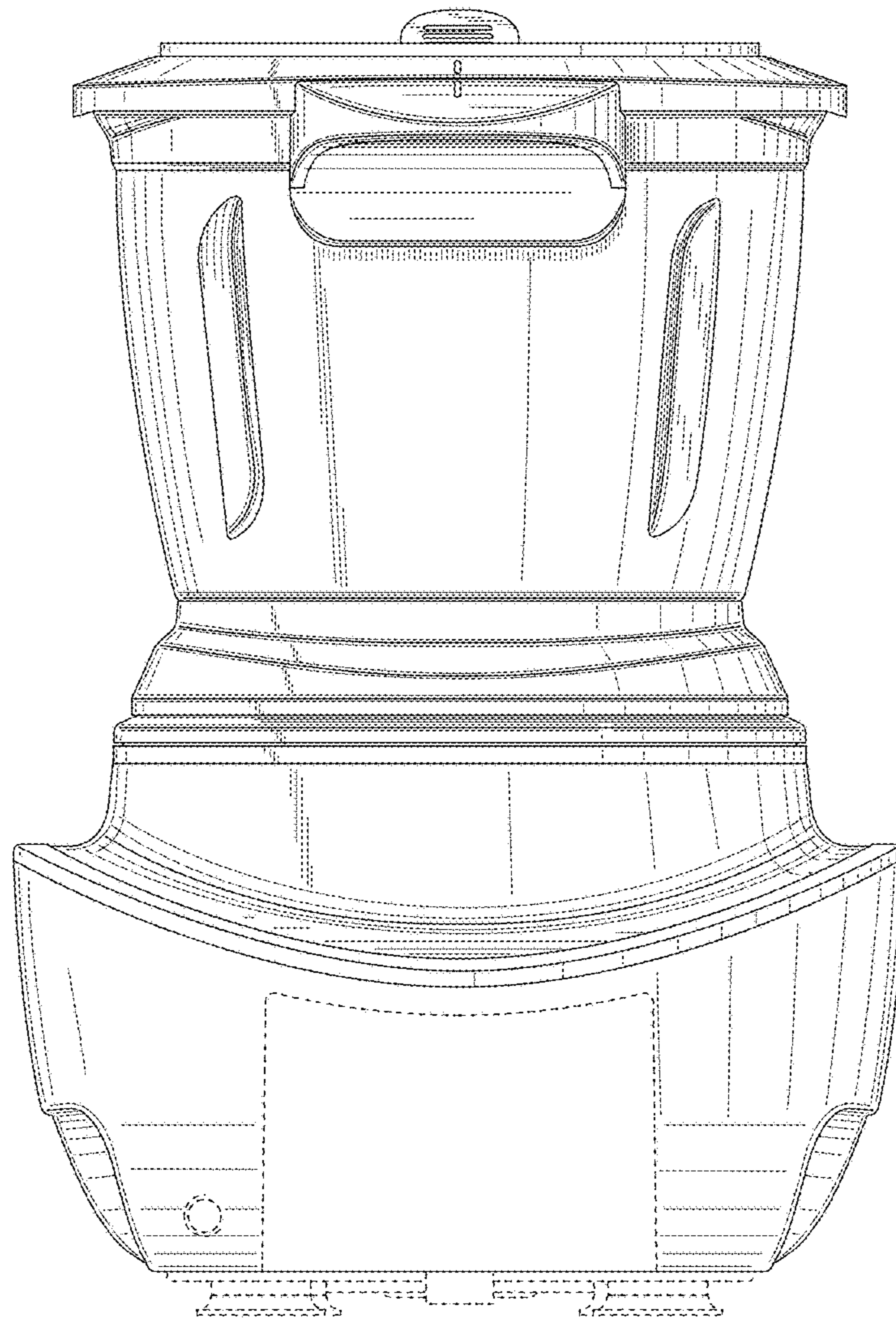


Fig. 5

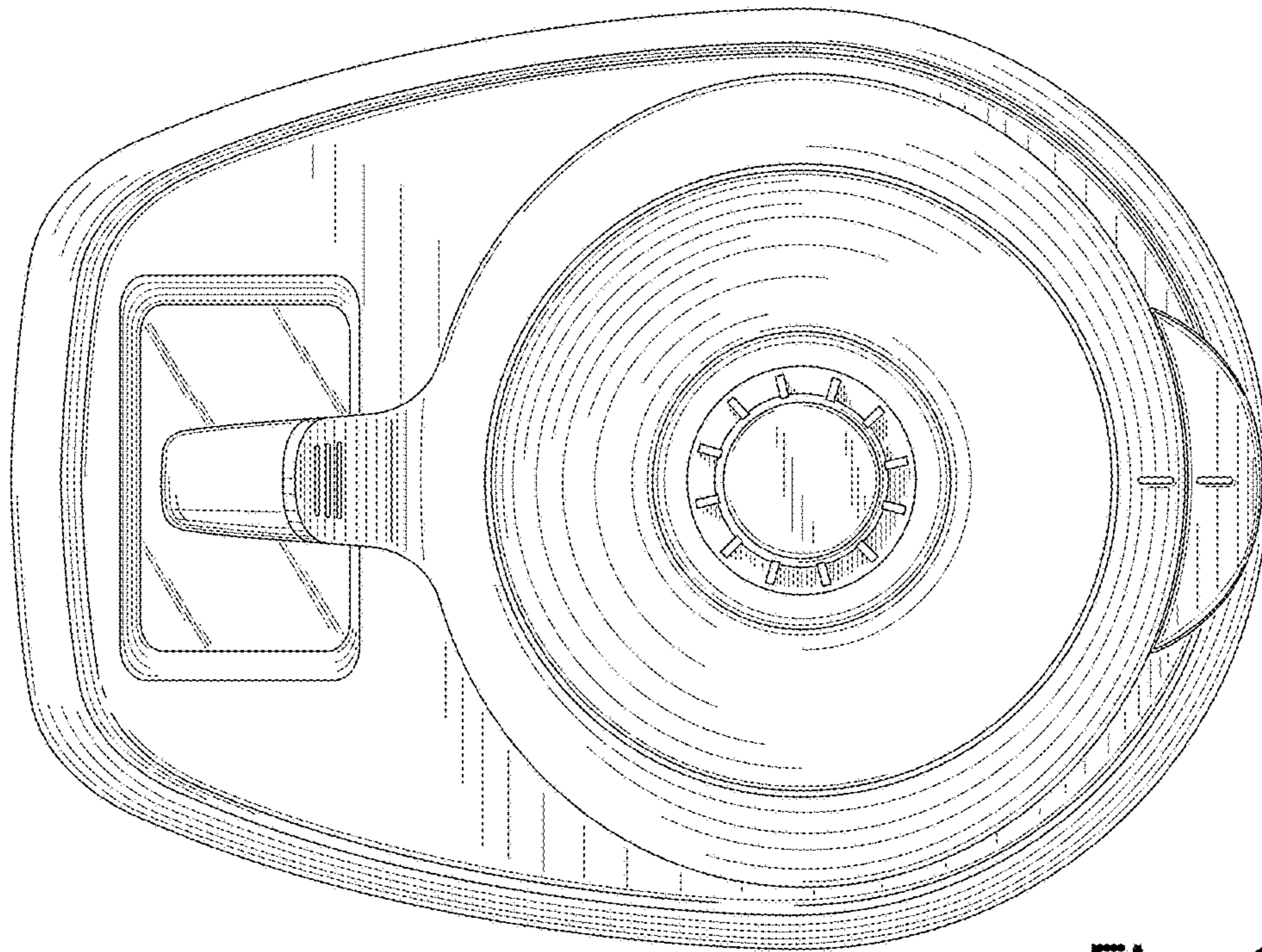


Fig. 6

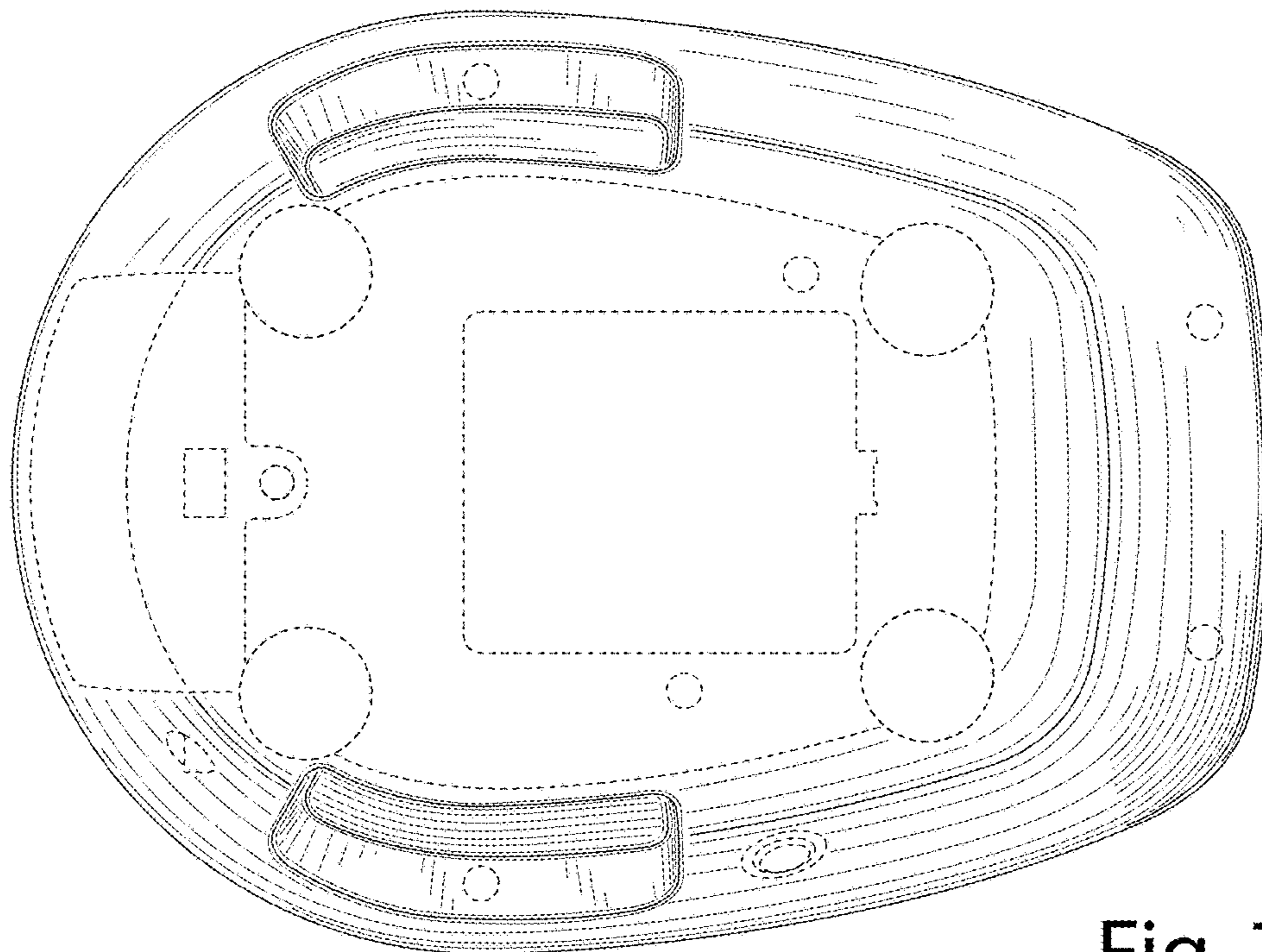


Fig. 7