

US00D847556S

(12) **United States Design Patent** (10) **Patent No.:** **US D847,556 S**  
**Morenstein et al.** (45) **Date of Patent:** **\*\* \*May 7, 2019**

(54) **OVEN**

(71) Applicant: **Brava Home, Inc.**, Redwood City, CA (US)

(72) Inventors: **Joshua Morenstein**, San Francisco, CA (US); **Christopher Hibmacronan**, Oakland, CA (US)

(73) Assignee: **BRAVA HOME, INC.**, Redwood City, CA (US)

(\*) Notice: This patent is subject to a terminal disclaimer.

(\*\*) Term: **15 Years**

(21) Appl. No.: **29/573,510**

(22) Filed: **Aug. 5, 2016**

(51) **LOC (11) Cl.** ..... **07-03**

(52) **U.S. Cl.**  
USPC ..... **D7/350.1**

(58) **Field of Classification Search**  
USPC ..... D7/350.1-351, 402-403, 405, 354  
CPC . H05B 6/64; H05B 6/12; H05B 6/806; H05B 6/6426; H05B 6/6414; A21B 1/52  
See application file for complete search history.

(56) **References Cited**

U.S. PATENT DOCUMENTS

6,843,207 B2 *	1/2005	Kanzaki .....	F24C 15/003 122/30
D541,578 S *	5/2007	Jeon .....	D7/350.1
D586,180 S *	2/2009	Pino .....	D7/405
D602,306 S *	10/2009	Lavy .....	D7/350.1
D629,639 S *	12/2010	Fernandez .....	D7/350.1
D771,995 S *	11/2016	Bhogal .....	D7/350.1
D771,996 S *	11/2016	Bhogal .....	D7/350.1
D777,504 S *	1/2017	Bhogal .....	D7/350.1
D782,864 S *	4/2017	Bhogal .....	D7/350.1
D783,336 S *	4/2017	Suh .....	D7/351
D802,996 S *	11/2017	Bhogal .....	D7/405

\* cited by examiner

*Primary Examiner* — Ruth McInroy  
(74) *Attorney, Agent, or Firm* — Haynes and Boone, LLP

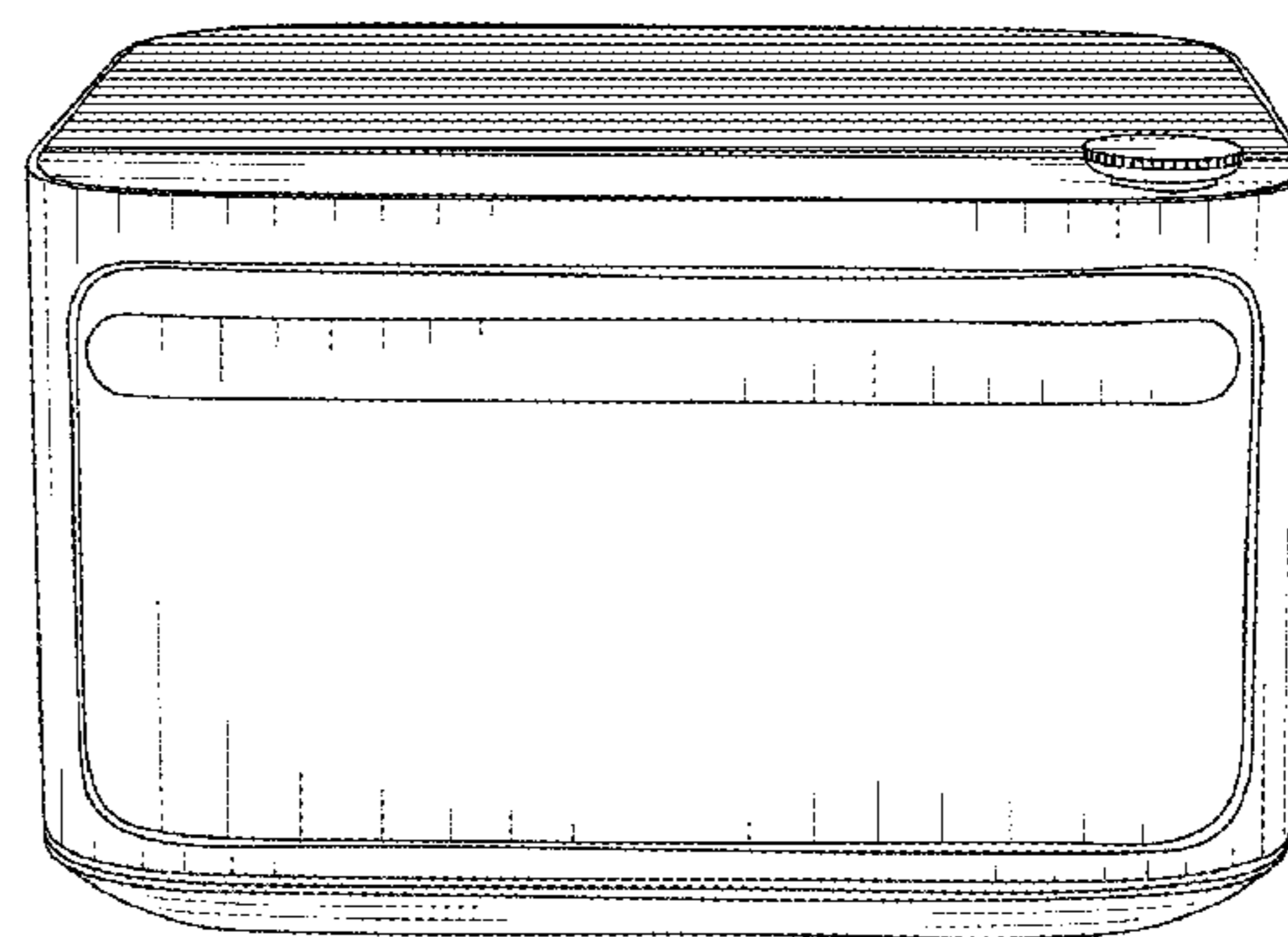
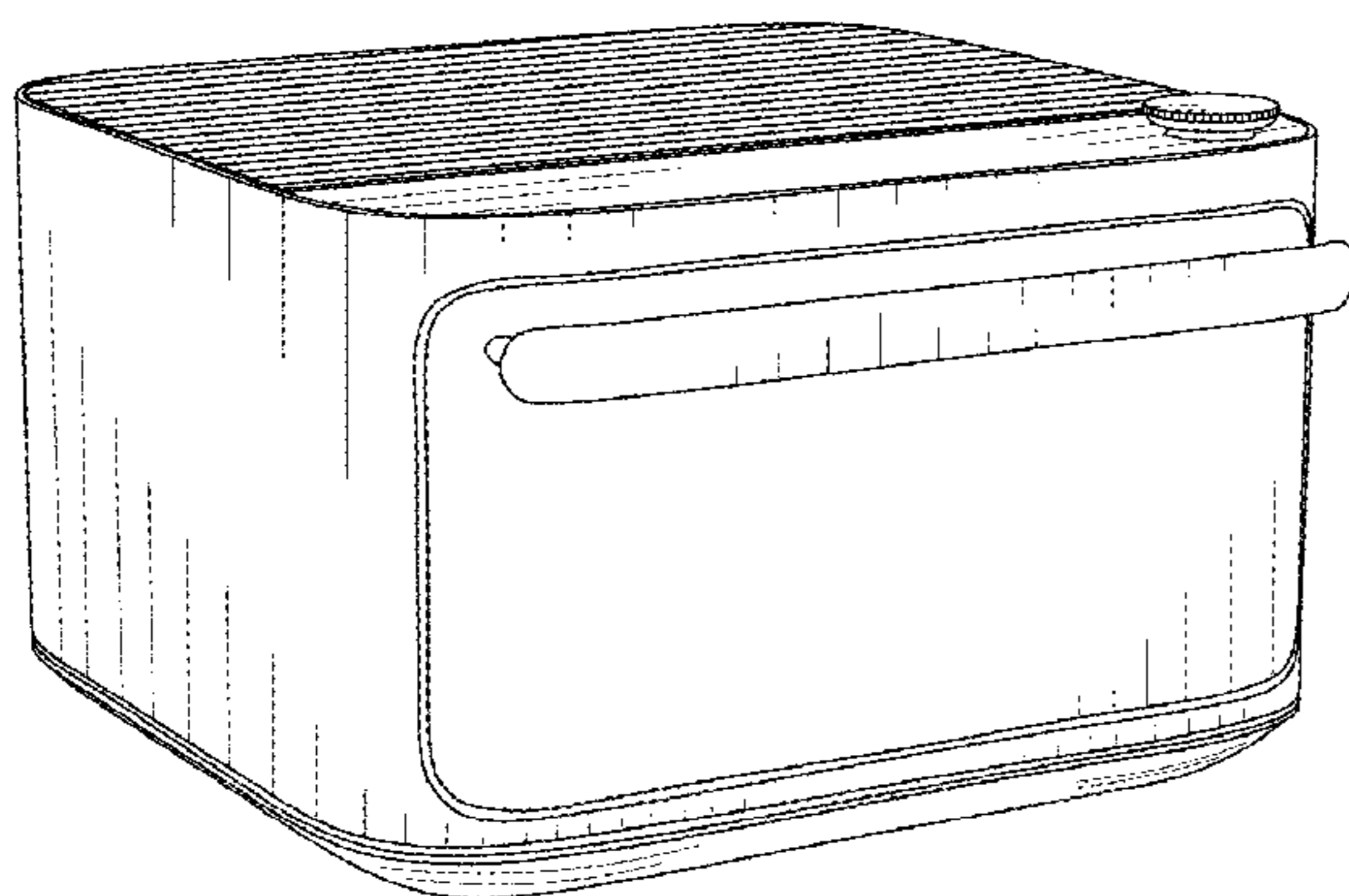
(57) **CLAIM**

We claim the ornamental design for an oven, as shown and described.

**DESCRIPTION**

FIG. 1 is a front and left side perspective view of an oven showing our new design;  
FIG. 2 is a front perspective view thereof;  
FIG. 3 is a left side view; and,  
FIG. 4 is a front view thereof.

**1 Claim, 4 Drawing Sheets**



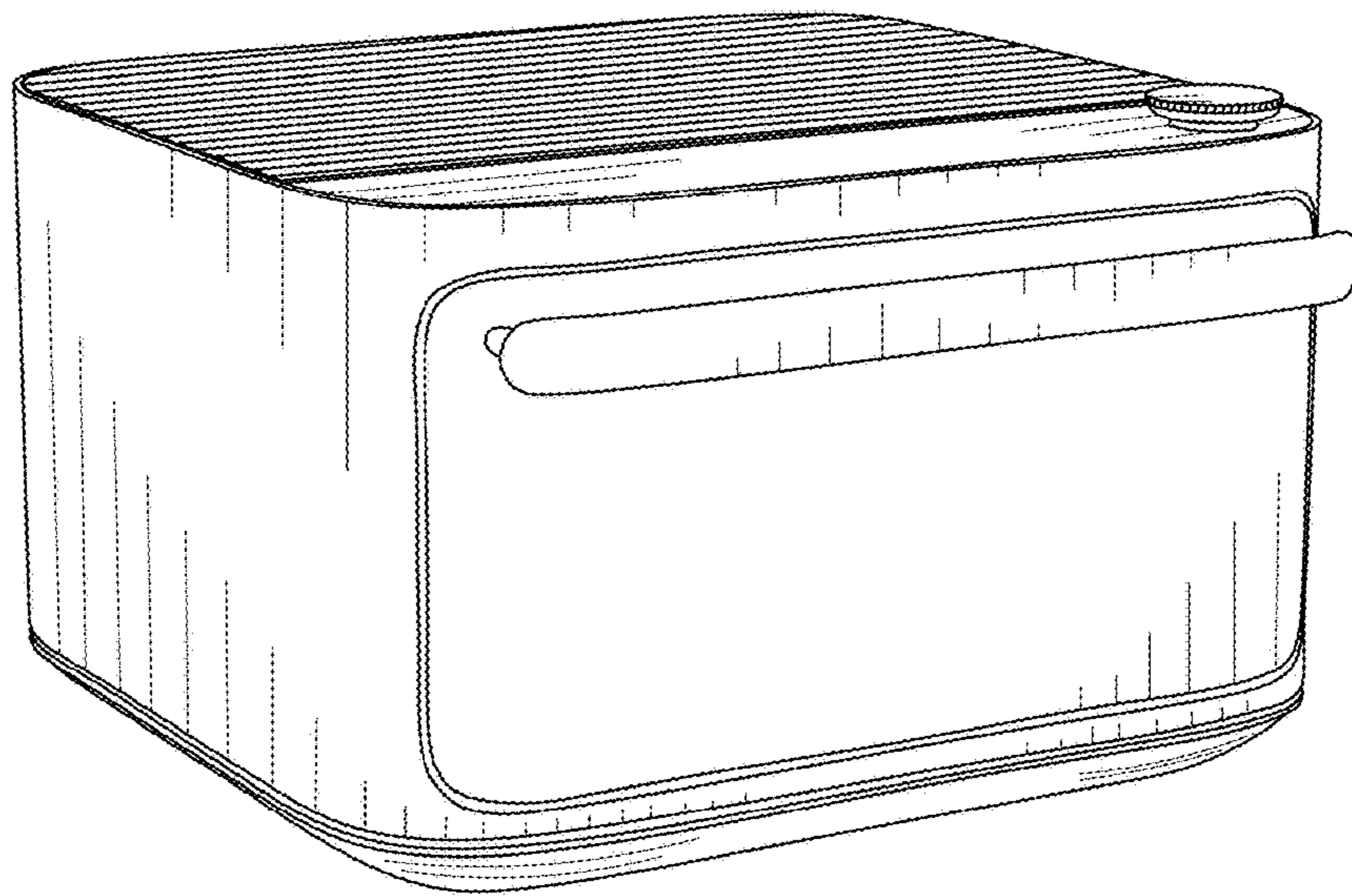


FIG. 1

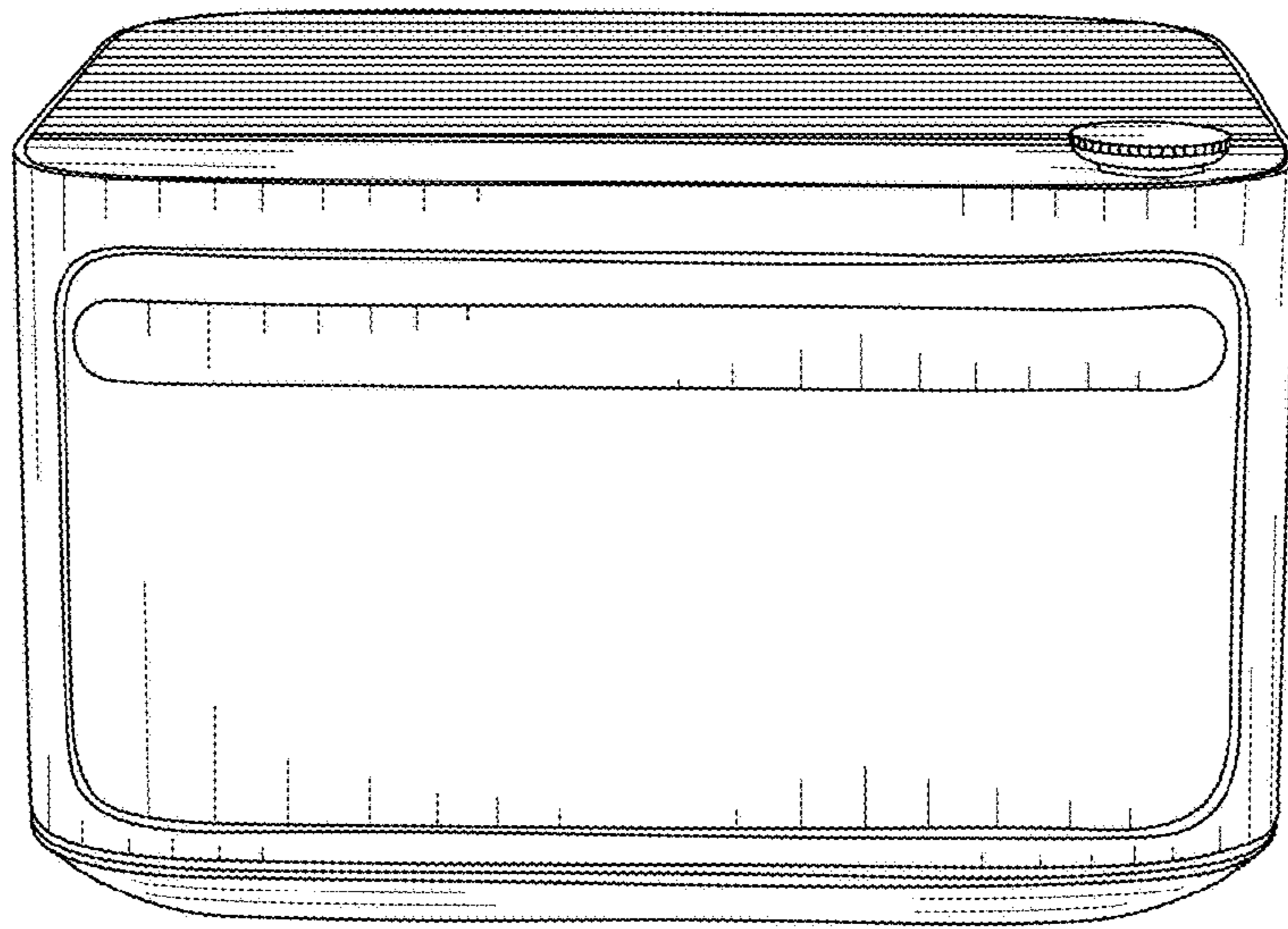


FIG. 2

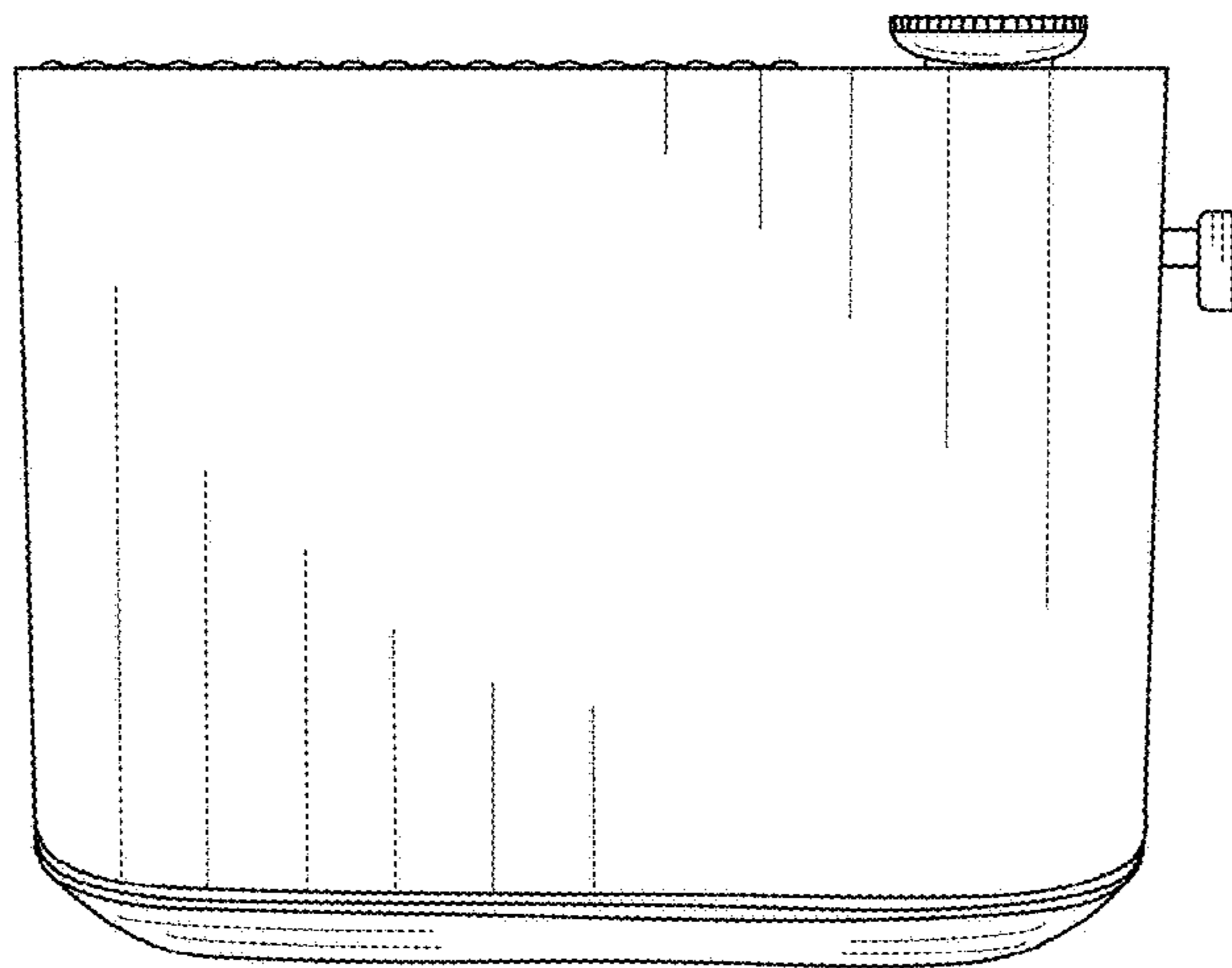


FIG. 3

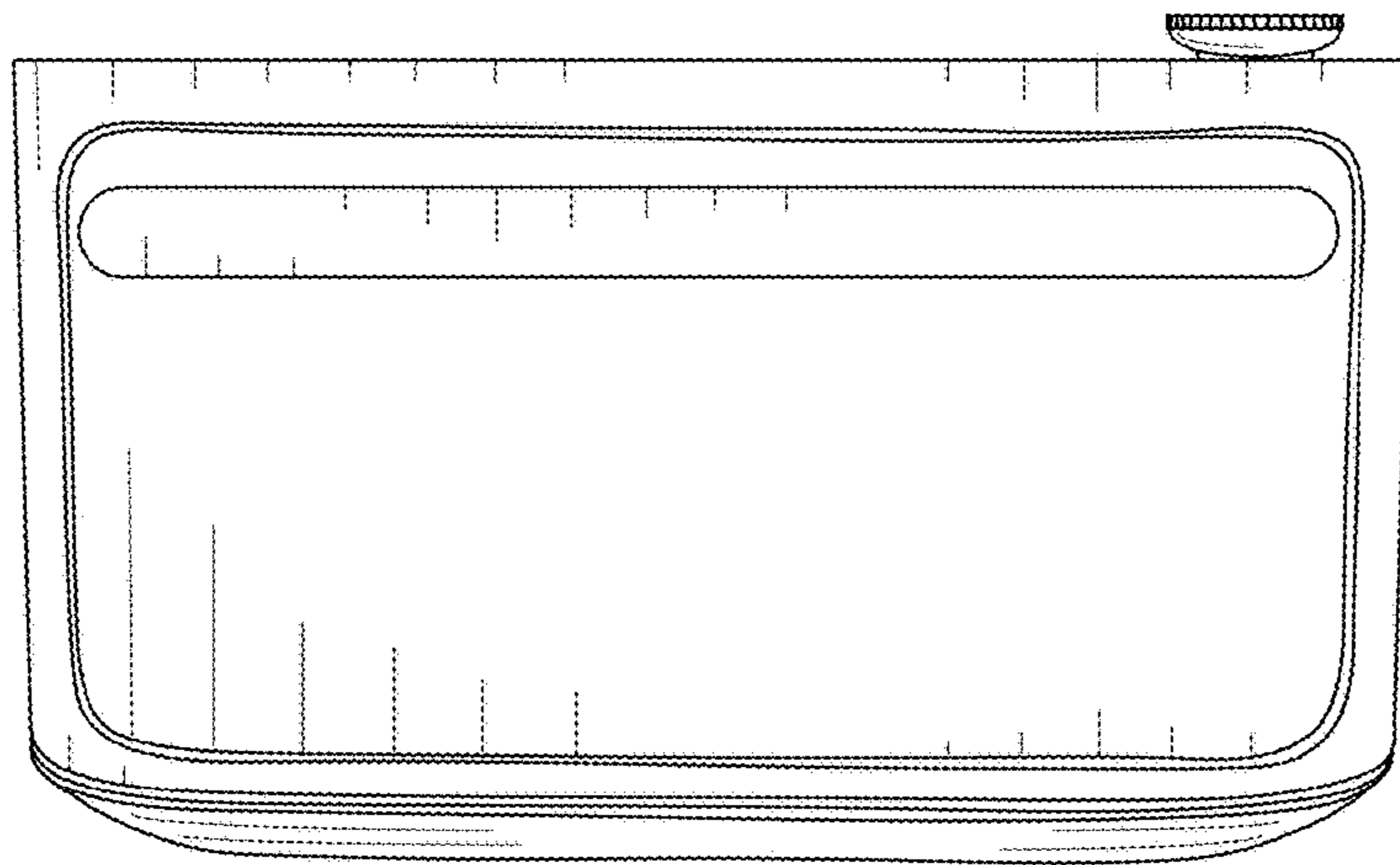


FIG. 4