

US00D847554S

(12) **United States Design Patent** (10) **Patent No.:** **US D847,554 S**  
**Zhang** (45) **Date of Patent:** **\*\* May 7, 2019**

(54) **VOLUMETRIC FLASK**  
(71) Applicant: **NINGBO CHEFSHERE KITCHEN TECHNOLOGY CO., LTD.**, Ningbo (CN)

9,016,518 B2 \* 4/2015 Poul ..... A47G 19/14 222/31  
D783,334 S \* 4/2017 Kotani ..... D7/317  
D799,258 S \* 10/2017 Bann ..... D7/317  
D817,063 S \* 5/2018 Morton ..... D7/318

(72) Inventor: **Guoping Zhang**, Ningbo (CN)  
(73) Assignee: **NINGBO CHEFSHERE KITCHEN TECHNOLOGY CO., LTD.**, Ningbo (CN)

**OTHER PUBLICATIONS**

No Drip Dispenser| posted at Amazon.com, posted on Jun. 1, 2017 © 1996-2018 Amazon.com, [online], [site visited Jul. 18, 2018]. Available from Internet, <URL:https://www.amazon.com/Perfect-Olive-Dispenser-Bottle-Measuring/dp/B071ZQNTPC/ref=sr\_1\_33\_sspa?ie=UTF8&qid=1531929560&sr=8-33-spons&keywords=gravity+oil+dispenser&psc=1#customerReviews>.\*

(\*\*) Term: **15 Years**

\* cited by examiner

(21) Appl. No.: **29/621,283**

*Primary Examiner* — Derrick E Holland  
*Assistant Examiner* — Andrew Kerr

(22) Filed: **Oct. 6, 2017**

(74) *Attorney, Agent, or Firm* — W&K IP

(30) **Foreign Application Priority Data**

May 16, 2017 (CN) ..... 2017 3 0180138

(51) **LOC (11) Cl.** ..... **07-01**

(52) **U.S. Cl.**  
USPC ..... **D7/318**

(57) **CLAIM**

The ornamental design for volumetric flask, as shown and described.

(58) **Field of Classification Search**  
USPC ..... D7/300, 302, 312, 316-318; D9/516, D9/544, 545, 549  
CPC ..... A47G 19/12; A47G 19/14; A47G 19/122  
See application file for complete search history.

**DESCRIPTION**

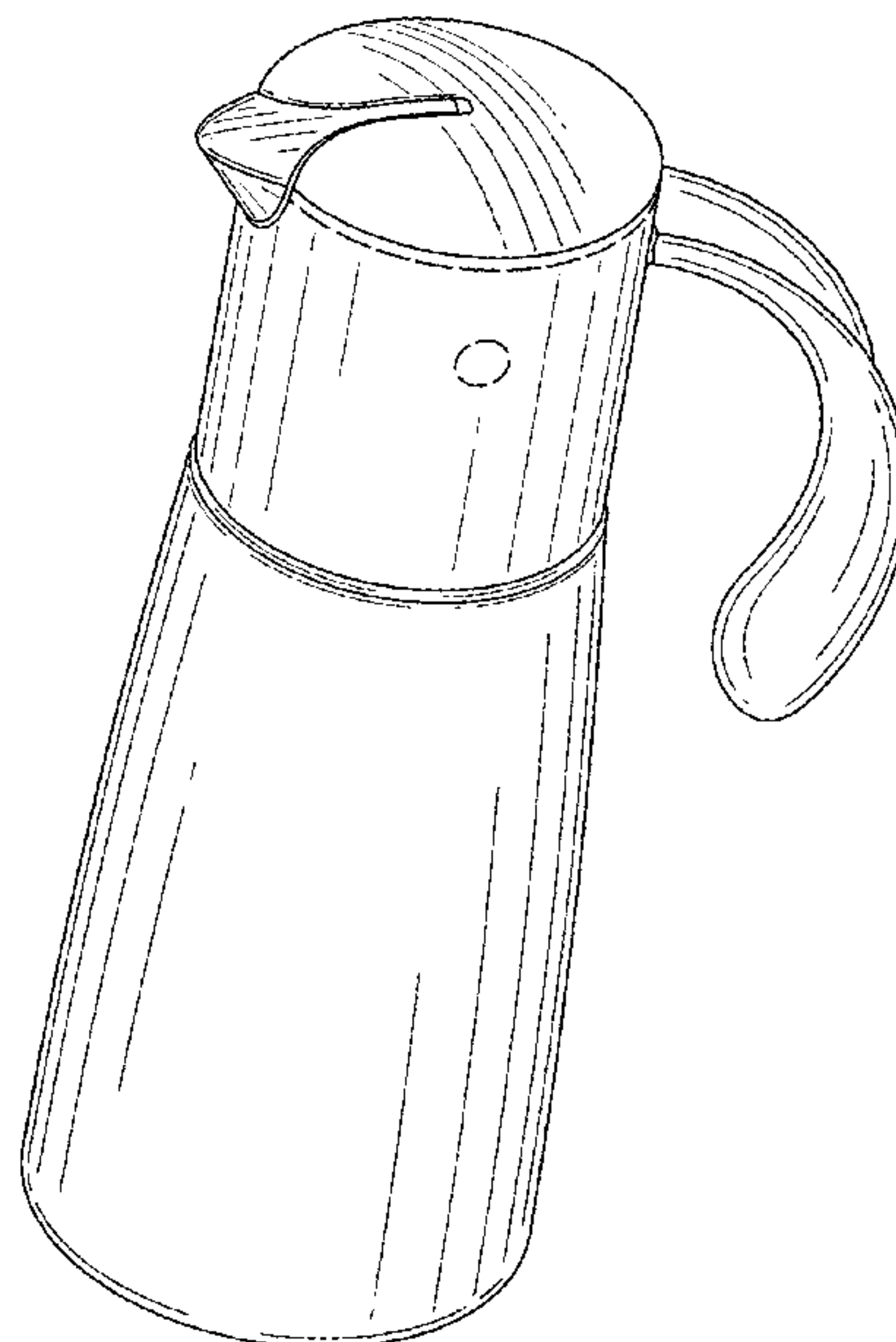
FIG. 1 is a perspective view of a volumetric flask showing my new design;  
FIG. 2 is a front elevation view thereof;  
FIG. 3 is a back elevation view thereof;  
FIG. 4 is a left side view thereof;  
FIG. 5 is a right side view thereof;  
FIG. 6 is a top plan view thereof; and,  
FIG. 7 is a bottom plan view thereof.  
The broken lines in the drawing views represent environmental structure of the volumetric flask and form no part of the claimed design.

(56) **References Cited**

**U.S. PATENT DOCUMENTS**

4,498,375 A \* 2/1985 Bedini ..... A47J 31/303 99/303  
D490,266 S \* 5/2004 Imai ..... D7/317  
D551,014 S \* 9/2007 Huang ..... D7/317  
D688,506 S \* 8/2013 Steiner ..... D7/317

**1 Claim, 7 Drawing Sheets**



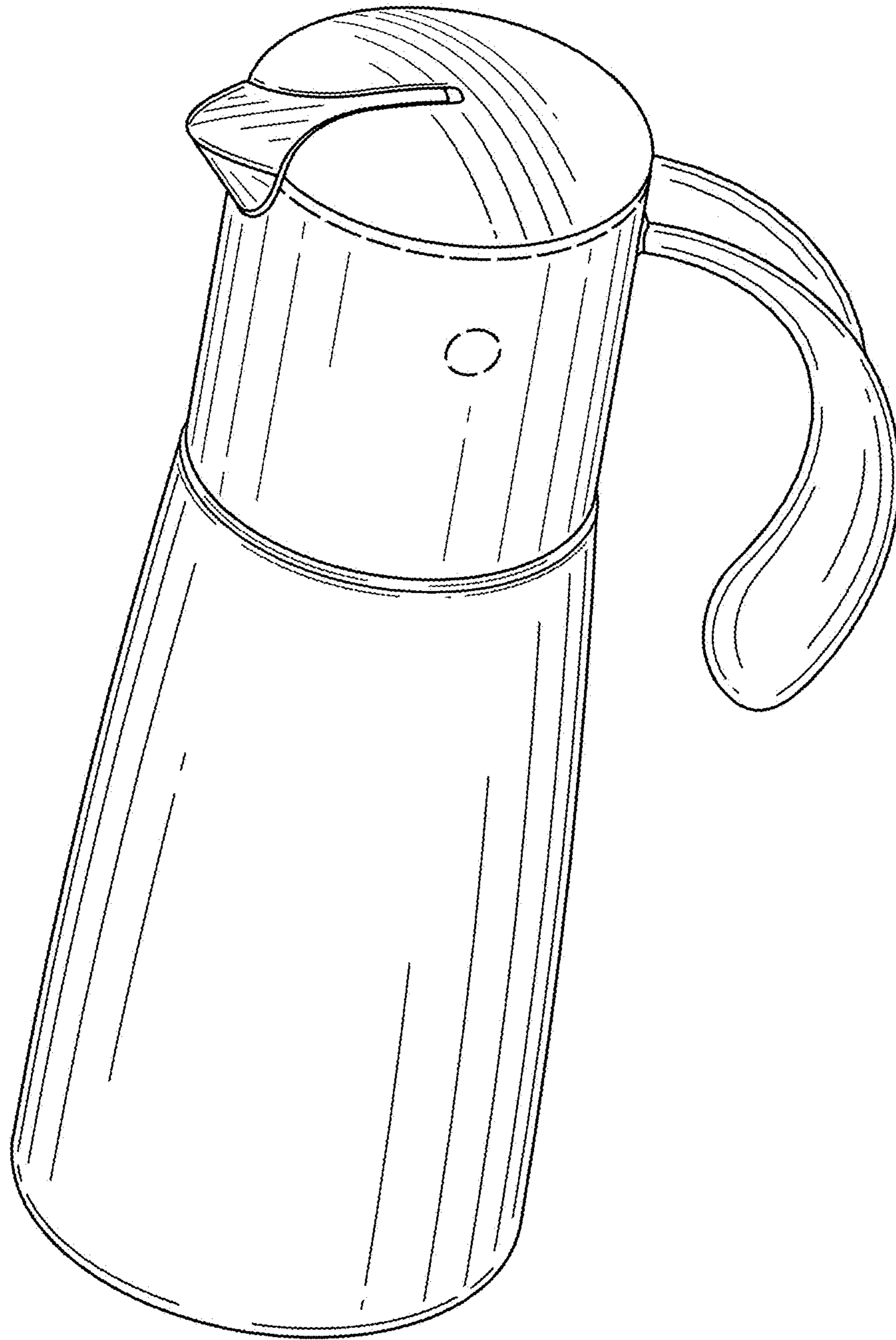


FIG. 1

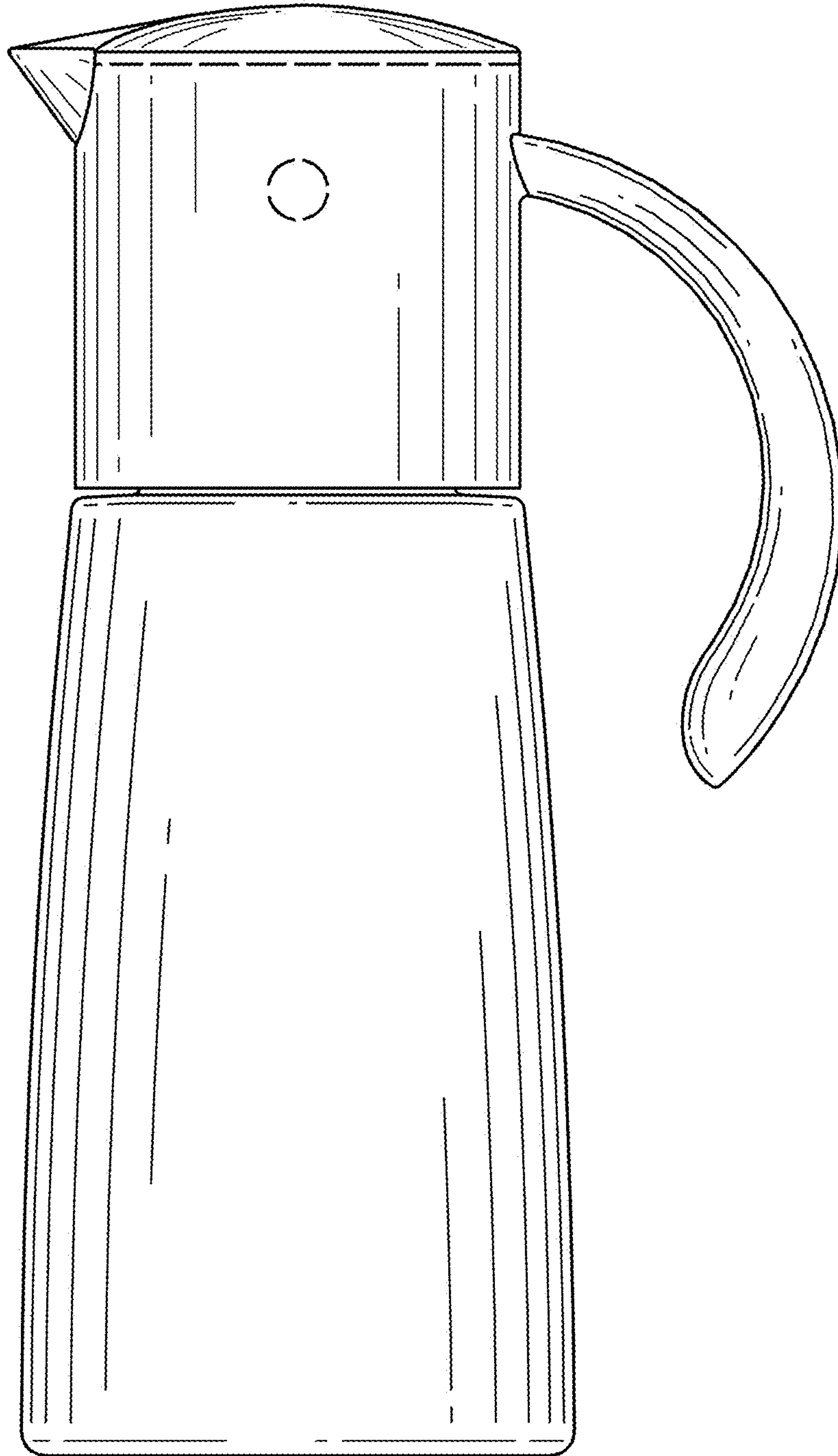


FIG. 2

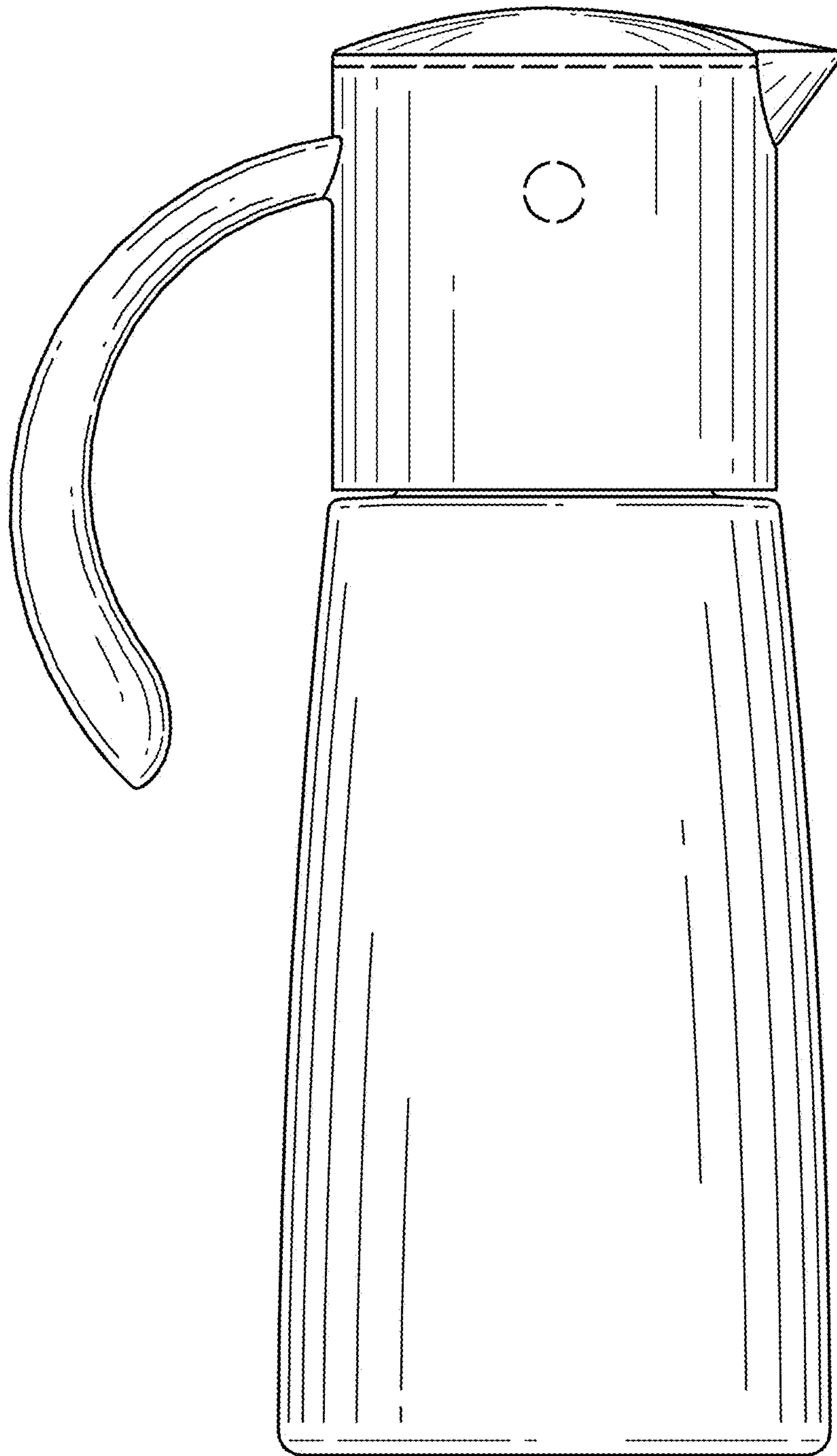


FIG. 3

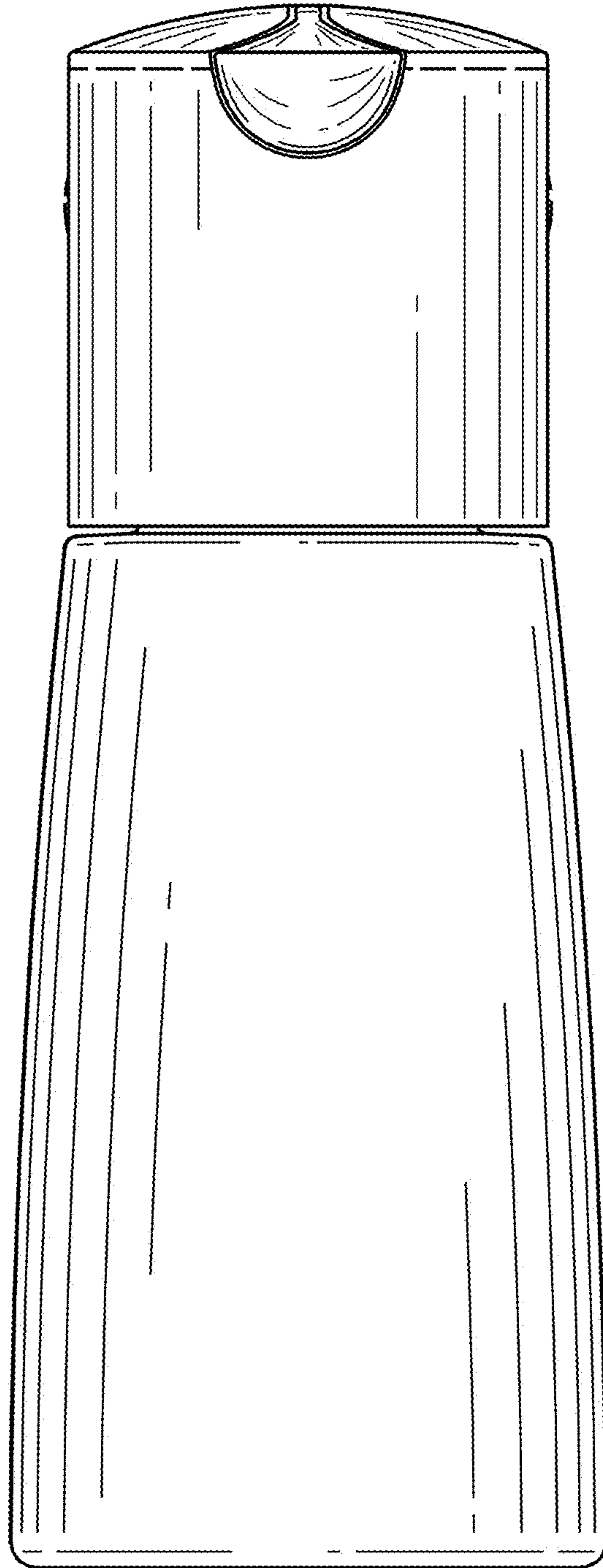


FIG. 4



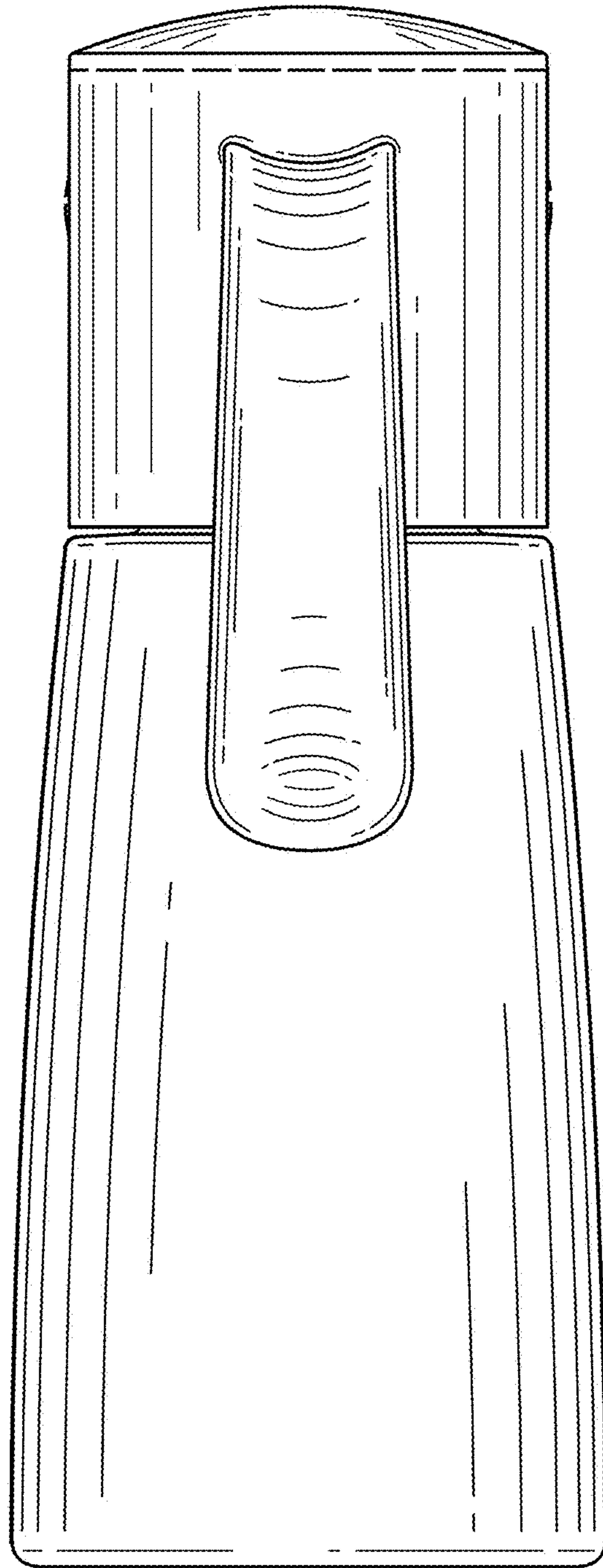


FIG. 5

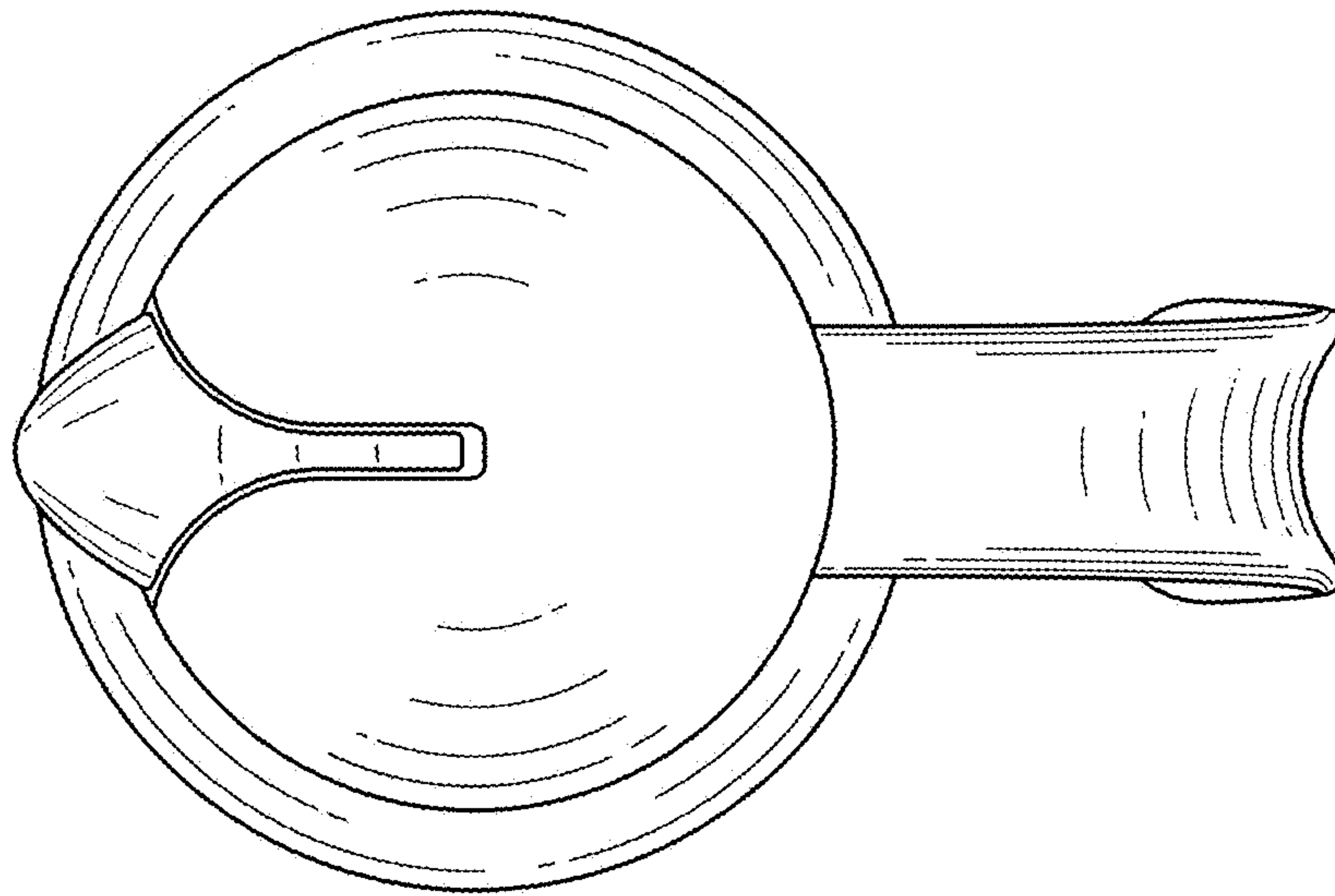


FIG. 6

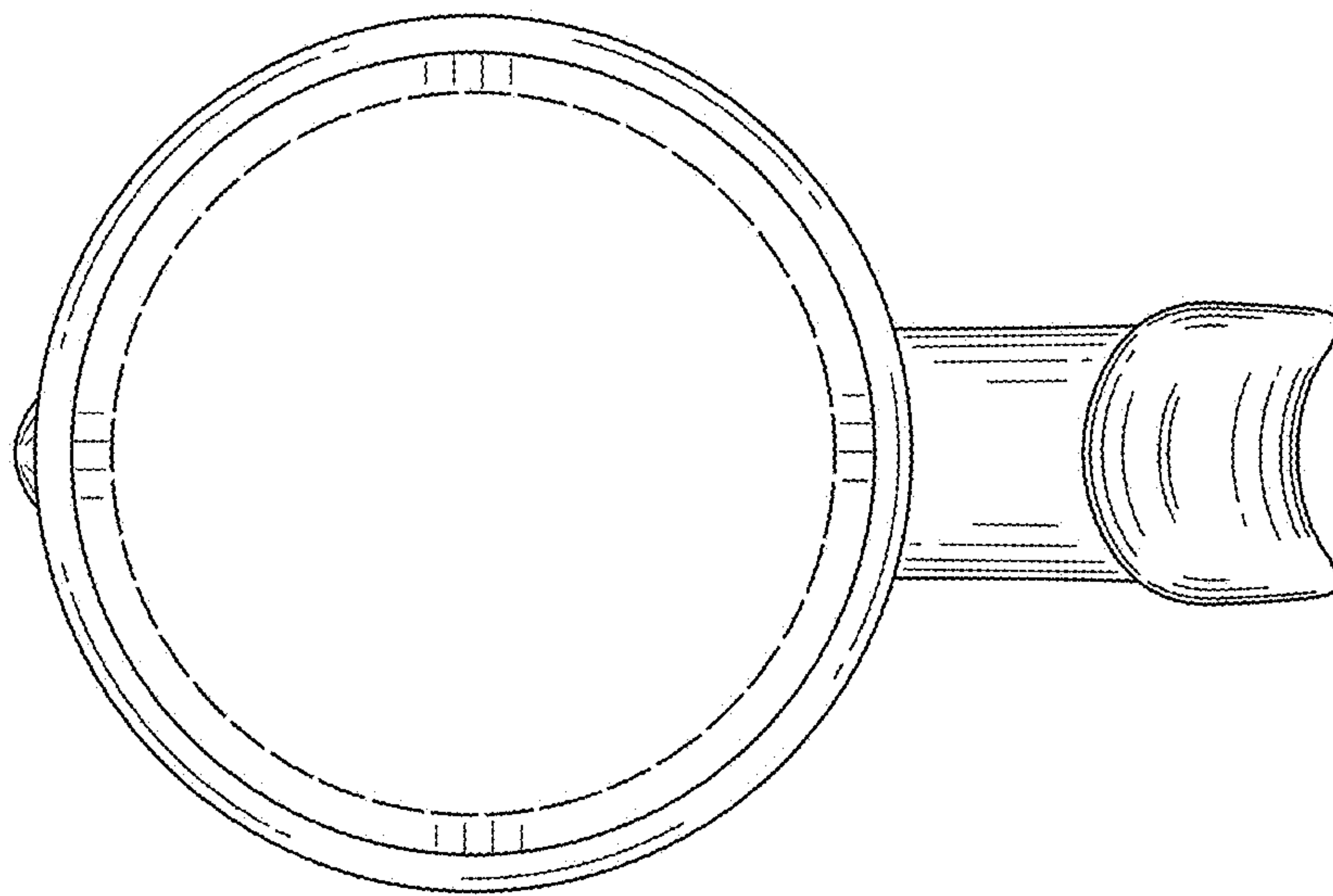


FIG. 7