



US00D847552S

(12) **United States Design Patent** (10) **Patent No.:** **US D847,552 S**
Bock-Aronson et al. (45) **Date of Patent:** **** May 7, 2019**

(54) **BEVERAGE BREWER**

(71) Applicant: **Watson Investor Communications, LLC**, Noblesville, IN (US)

(72) Inventors: **Max Bock-Aronson**, Minneapolis, MN (US); **Joel Valdez, Jr.**, Minneapolis, MN (US); **Jorge Alberto Treviño Blanco**, Nuevo Leon (MX)

(73) Assignee: **Watson Investor Communications, LLC**, Noblesville, IN (US)

(**) Term: **15 Years**

(21) Appl. No.: **29/604,713**

(22) Filed: **May 19, 2017**

(51) **LOC (11) Cl.** **07-01**

(52) **U.S. Cl.**
USPC **D7/306; D7/311**

(58) **Field of Classification Search**
USPC **D7/305, 300, 306-311, 313, 301; 99/275; 222/78; D23/207; D20/1; D9/530, 559, 575**

CPC .. **A47J 31/44; A47J 31/00; B67D 1/00; B65D 21/0213; B65D 21/0204; B65D 21/02**

See application file for complete search history.

(56) **References Cited**

U.S. PATENT DOCUMENTS

D387,278 S *	12/1997	Olivares	D9/541
D445,692 S *	7/2001	Meeker	D9/530
D502,354 S *	3/2005	Bruttin	D7/309
D567,096 S *	4/2008	Toh	D9/542
D573,476 S *	7/2008	Hopkins	D9/537
D573,882 S *	7/2008	Toh	D9/516
D580,208 S *	11/2008	Cheng	D7/306
D583,608 S *	12/2008	Kato	D7/306
D645,756 S *	9/2011	Zummo	D9/542

D675,677 S *	2/2013	Barili	D20/4
D731,894 S *	6/2015	Meyer	D9/453
D740,680 S *	10/2015	Christian	D9/561
D774,914 S *	12/2016	Kuzma	D9/543
2004/0099673 A1 *	5/2004	Burgassi	B65D 1/0223 220/669
2009/0255893 A1 *	10/2009	Zummo	B65D 1/0223 215/10

FOREIGN PATENT DOCUMENTS

RU 402009004679 5/2010

* cited by examiner

Primary Examiner — Marianne N Pandozzi

(74) *Attorney, Agent, or Firm* — Woodard, Emhardt, Henry, Reeves & Wagner, LLP; William McKenna; Thomas Henry

(57) **CLAIM**

The ornamental design for a beverage brewer, as shown and described.

DESCRIPTION

FIG. 1 is a front left perspective view of the beverage brewer showing the new design;

FIG. 2 is a front right perspective view of the beverage brewer showing the new design;

FIG. 3 is a left side view of the beverage brewer showing the new design;

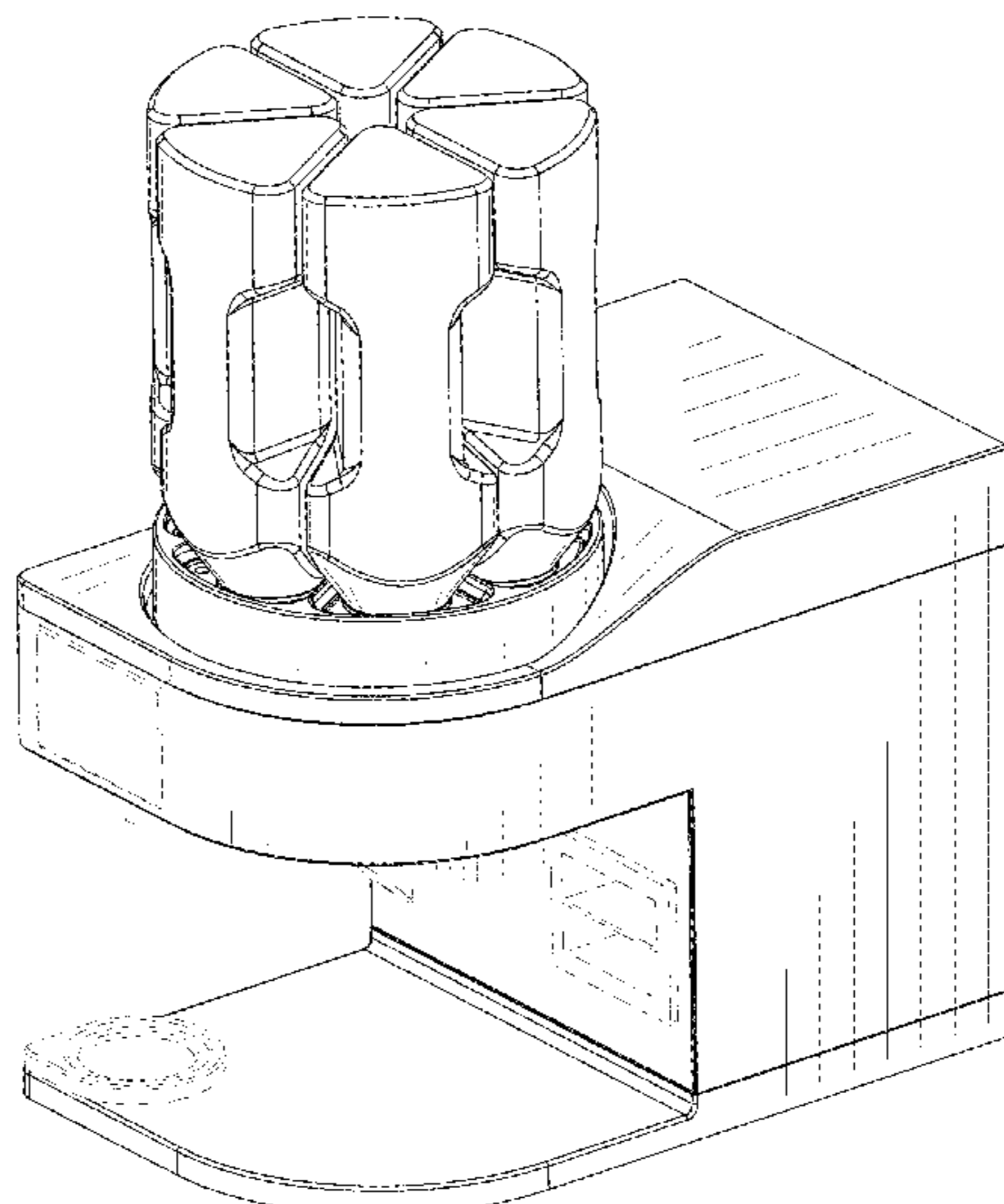
FIG. 4 is a right side view of the beverage brewer showing the new design;

FIG. 5 is a top view of the beverage brewer showing the new design;

FIG. 6 is a bottom view of the beverage brewer showing the new design; and,

FIG. 7 is a rear view of the beverage brewer showing the new design.

1 Claim, 6 Drawing Sheets



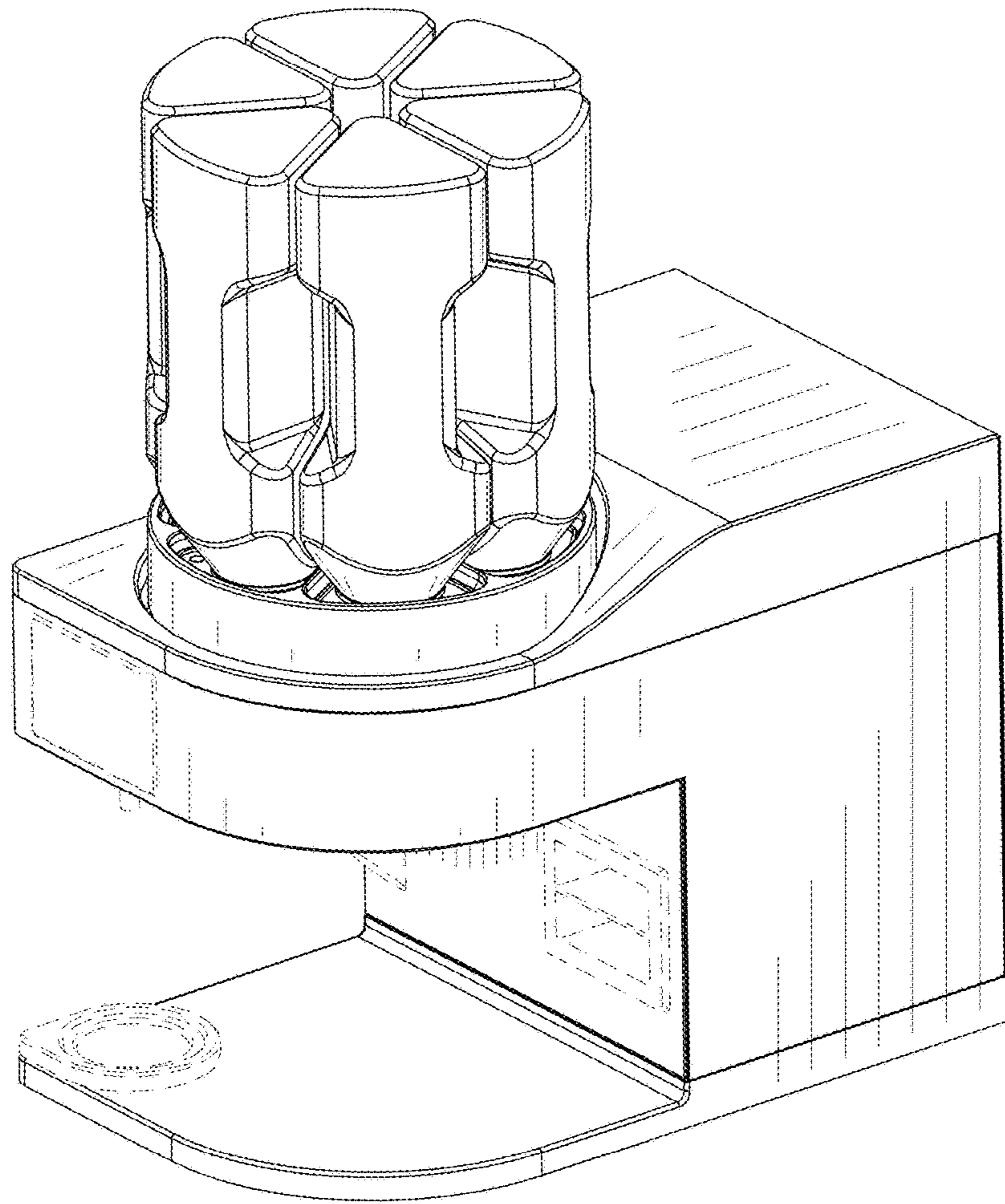


Fig. 1

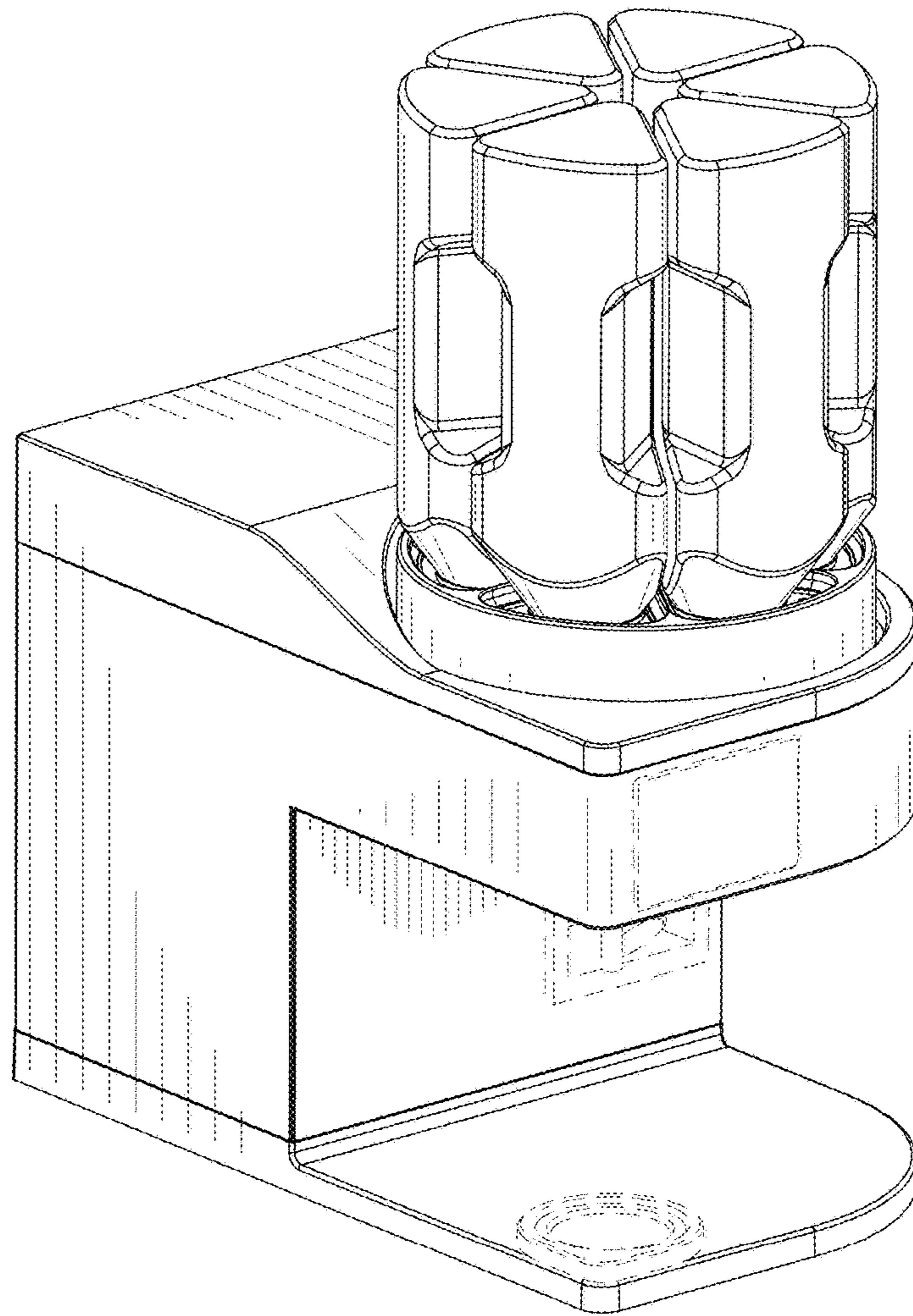


Fig. 2

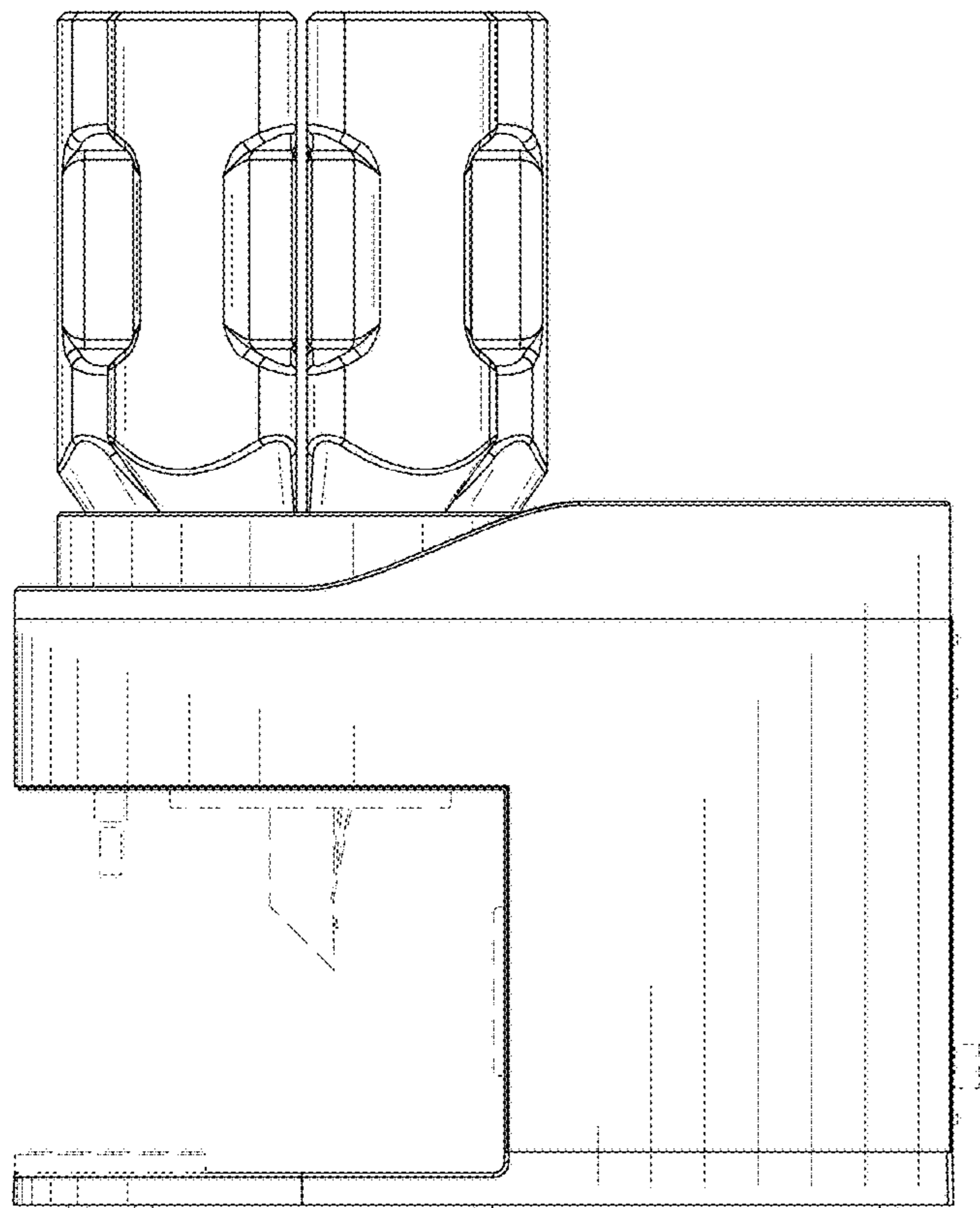


Fig. 3

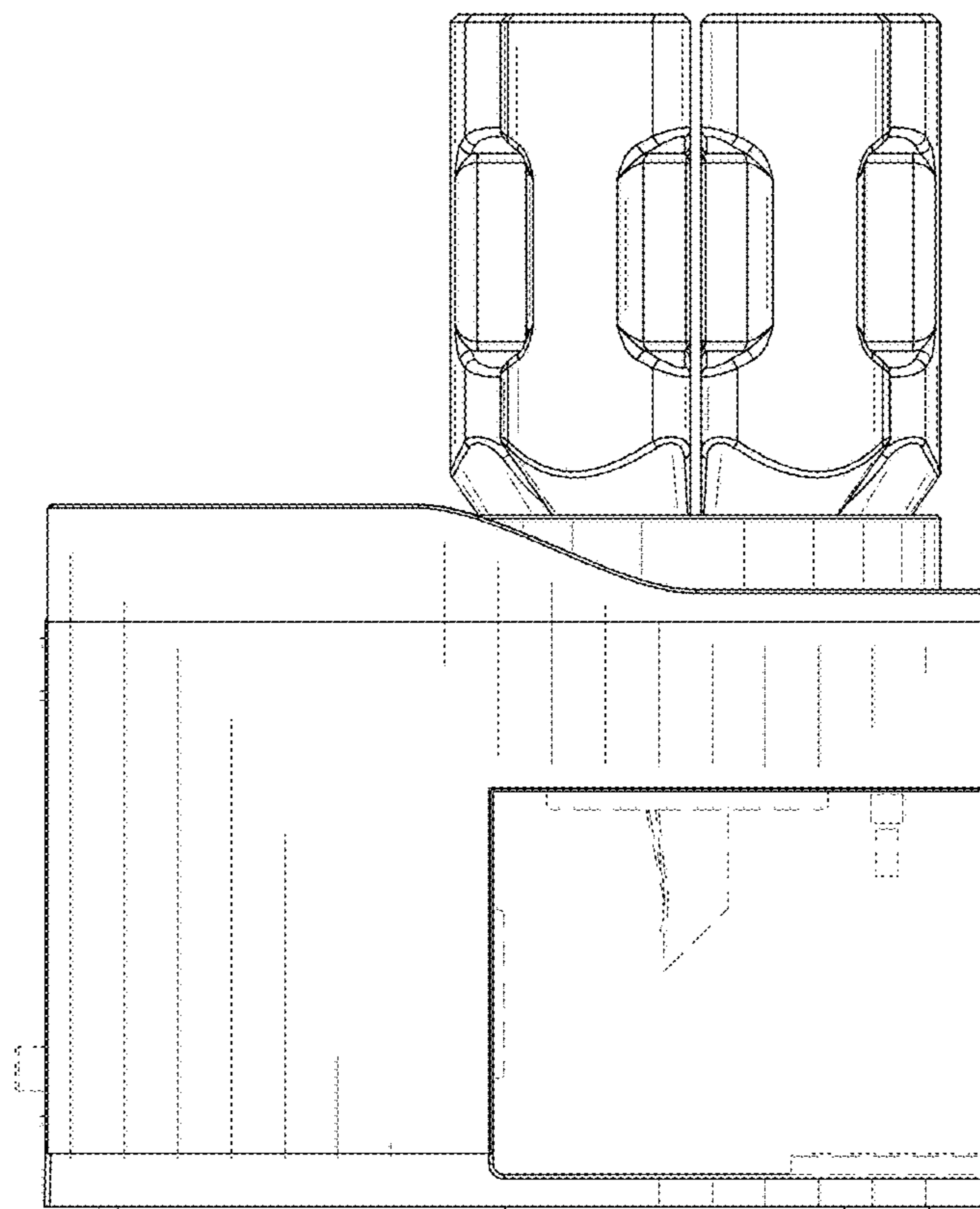


Fig. 4

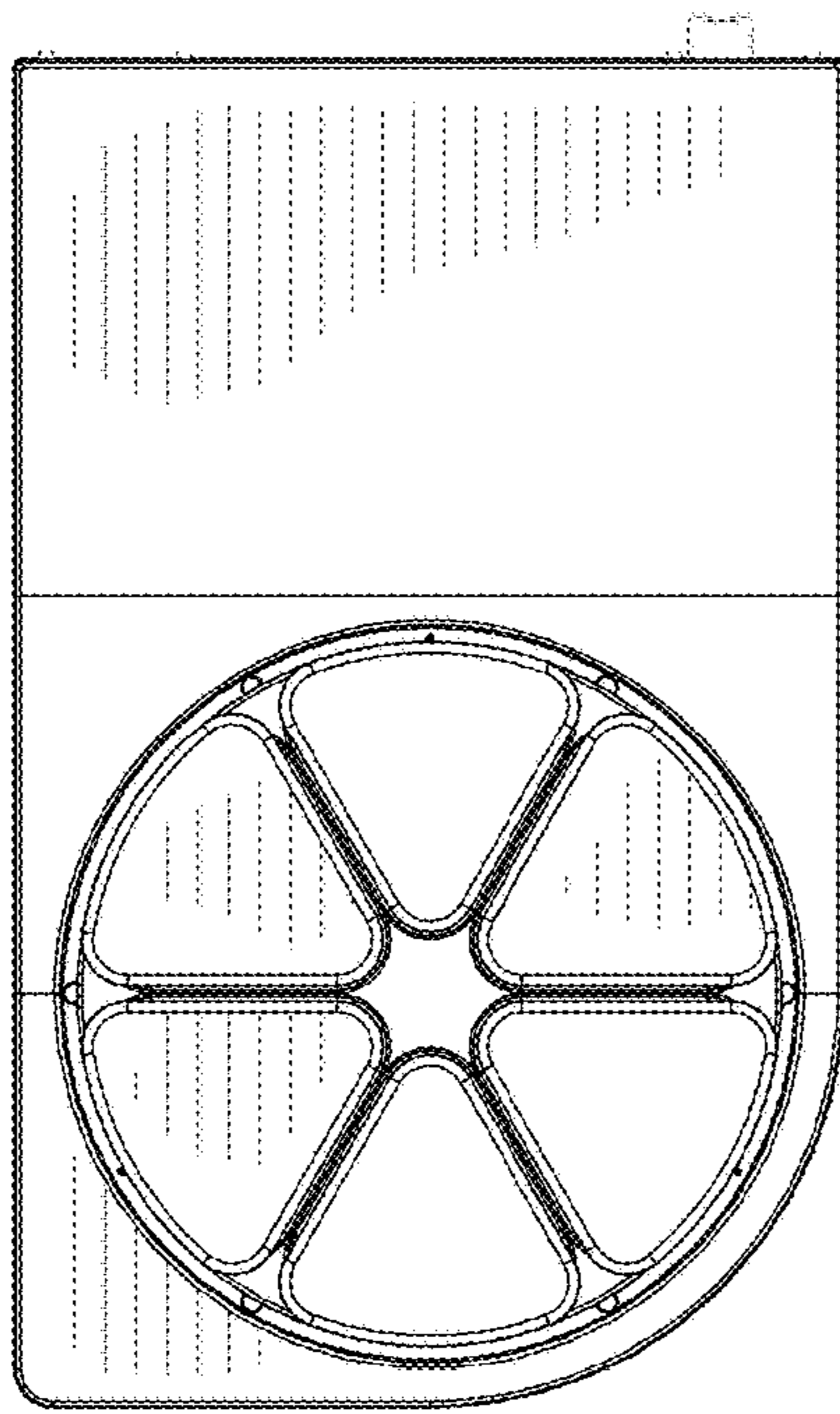


Fig. 5

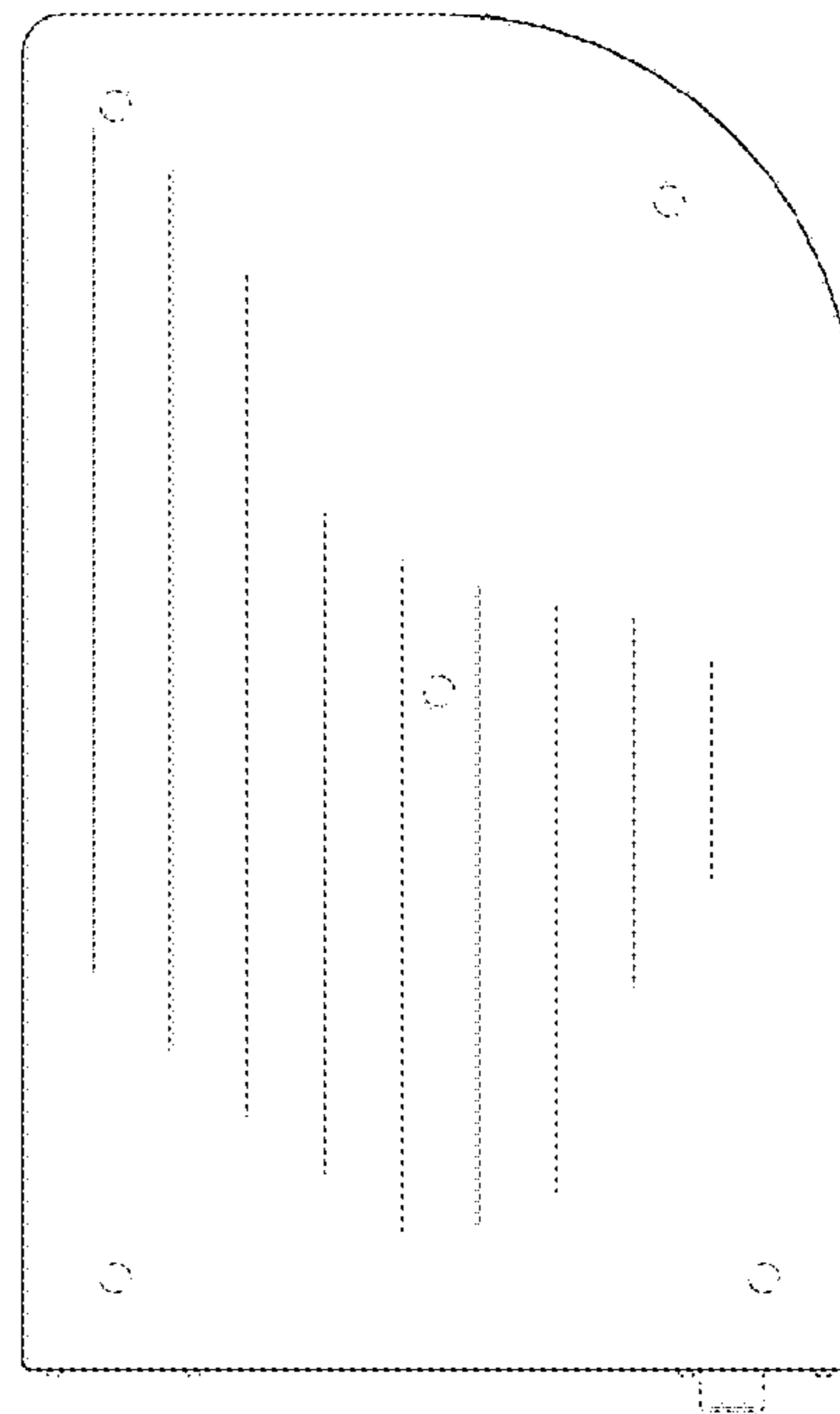


Fig. 6

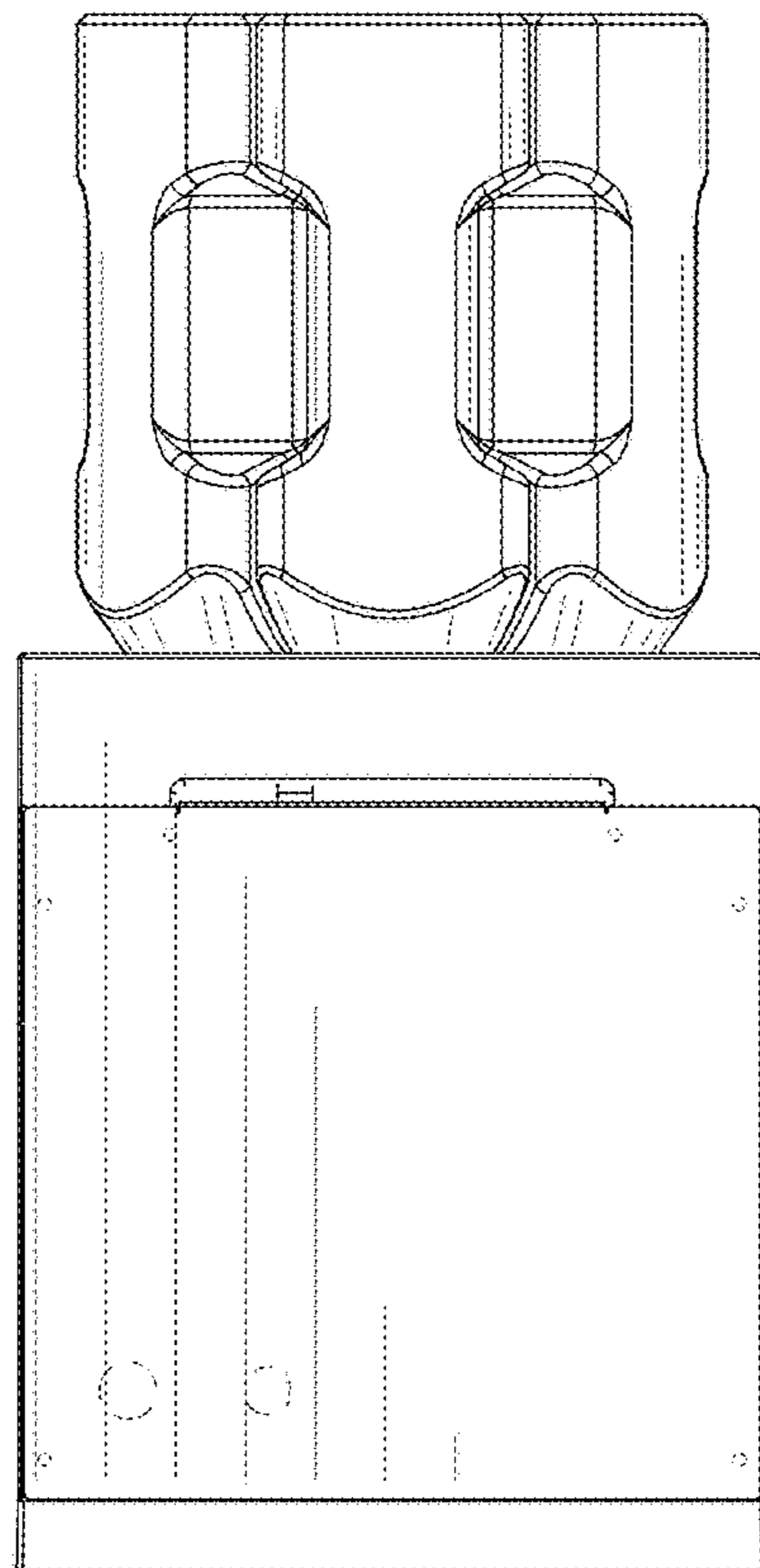


Fig. 7