



US00D847551S

(12) **United States Design Patent** (10) **Patent No.:** **US D847,551 S**
Furuland (45) **Date of Patent:** **** May 7, 2019**

(54) **SUPPORT BASE**
(71) Applicant: **Enfant Terrible Design AB**, Norrtälje (SE)
(72) Inventor: **Lisa Furuland**, Norrtälje (SE)
(73) Assignee: **ENFANT TERRIBLE DESIGN AB**, Norrtälje (SE)
(**) Term: **15 Years**
(21) Appl. No.: **29/640,999**
(22) Filed: **Mar. 19, 2018**
(51) **LOC (11) Cl.** **06-02**
(52) **U.S. Cl.**
USPC **D6/718.26**; D6/708
(58) **Field of Classification Search**
USPC D6/333, 349, 352, 667, 677, 692.6, 708, D6/708.2, 382, 390, 718, 718.26
CPC . A47D 9/00; A47D 9/02; A47D 11/00; A47D 11/005; A47D 13/00; A47D 13/02; A47D 13/06; A47D 13/063
See application file for complete search history.

(56) **References Cited**
U.S. PATENT DOCUMENTS
D102,046 S 11/1936 Wexelblatt
D138,819 S * 9/1944 Larson D6/677
D151,675 S 11/1948 Bird
D162,045 S 2/1951 Lee
2,569,555 A 10/1951 Chanslor
D170,088 S 7/1953 Hoffman
2,672,627 A 3/1954 Adolfina
(Continued)

OTHER PUBLICATIONS
55 Downing Street Fara Coffee Table, amazon.com, reviewed Mar. 31, 2017, site visited Dec. 31, 2018, available online at <https://www.amazon.com/55-Downing-Street-Antique-Coffee/dp/B01N0CCMNY> (Year: 2017).*
(Continued)

Primary Examiner — Cathron C Brooks
(74) *Attorney, Agent, or Firm* — Ward and Smith, P.A.; Ryan K. Simmons

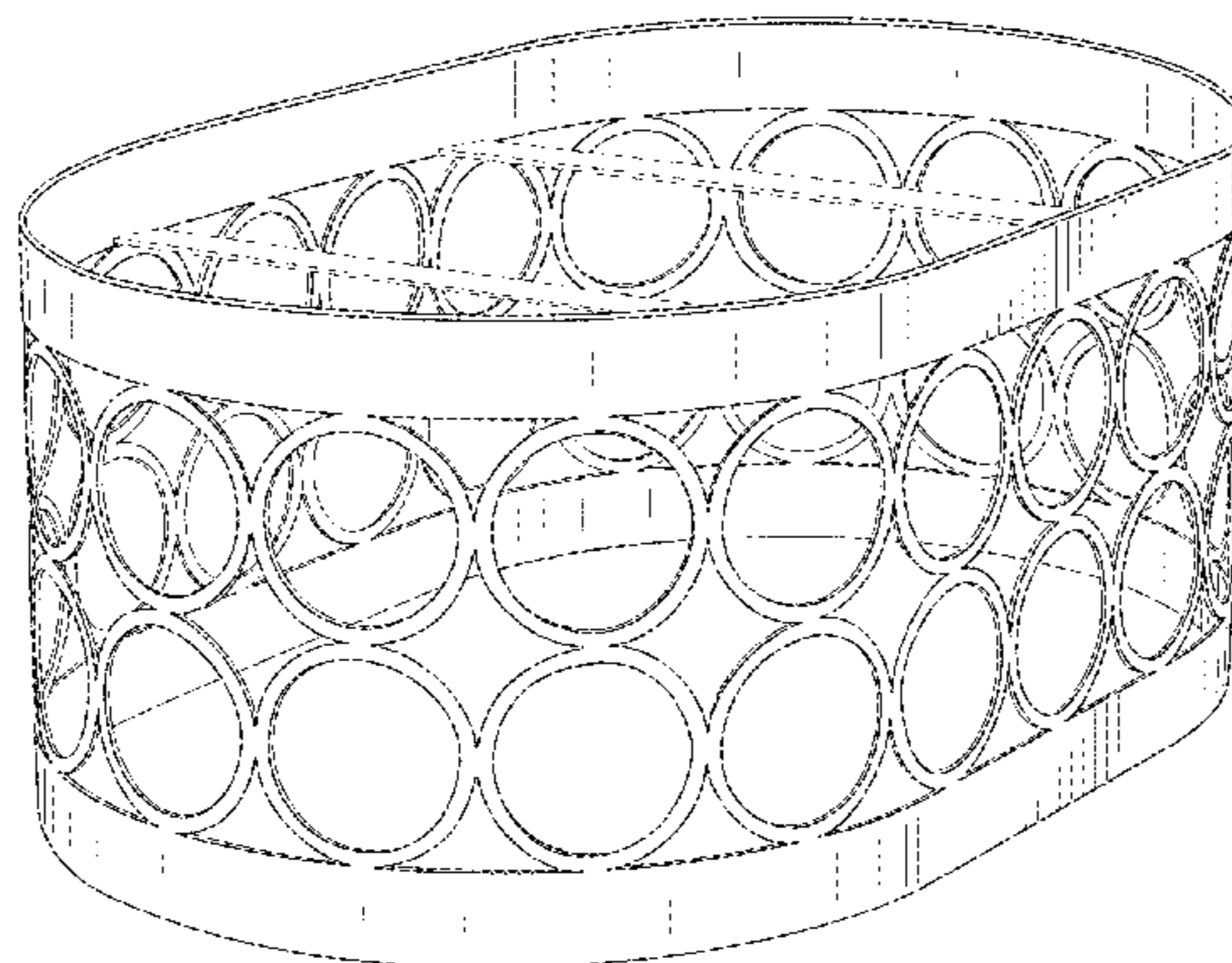
(57) **CLAIM**

The ornamental design for a support base, as shown and described.

DESCRIPTION

FIG. 1 is a perspective view of a support base showing a new design;
FIG. 2 is a left side elevation view thereof, the right side being a mirror image;
FIG. 3 is a front elevation view thereof, the rear being a mirror image;
FIG. 4 is a top plan view thereof;
FIG. 5 is a bottom plan view thereof;
FIG. 6 is another perspective view of the support base of FIG. 1, but shown with broken line subject matter;
FIG. 7 is a left side elevation view thereof, the right side being a mirror image;
FIG. 8 is a front elevation view thereof, the rear being a mirror image;
FIG. 9 is a top plan view thereof;
FIG. 10 is a bottom plan view thereof;
FIG. 11 is yet another perspective view of the support base of FIG. 1, but shown with the broken line subject matter appearing as transparent;
FIG. 12 is a left side elevation view thereof, the right side being a mirror image;
FIG. 13 is a front elevation view thereof, the rear being a mirror image;
FIG. 14 is a top plan view thereof; and,
FIG. 15 is a bottom plan view thereof.
The dashed lines are included for the purpose of illustrating portions of the support base and environmental subject matter that form no part of the claimed design.

1 Claim, 15 Drawing Sheets



(56)

References Cited

U.S. PATENT DOCUMENTS

2,688,997 A 9/1954 Blanch
 3,004,793 A 10/1961 Loomis
 D196,371 S 9/1963 Lieberman
 D197,967 S 4/1964 Waitzman
 3,235,891 A 2/1966 Yamil
 D205,978 S 10/1966 Zavodny
 3,513,489 A 5/1970 Martin
 3,833,947 A 9/1974 Sorensen
 3,890,660 A 6/1975 Pedler
 D239,898 S 5/1976 Kirshenbaum
 4,081,869 A 4/1978 Ash
 D250,860 S 1/1979 Castro
 D278,959 S 5/1985 Berry, Jr.
 D287,669 S 1/1987 Opsvik
 D299,195 S 1/1989 Frinier
 D309,993 S * 8/1990 Miklos D26/110
 D321,297 S * 11/1991 Winzeler, III D6/708
 D321,298 S * 11/1991 Winzeler, III D6/708
 D351,756 S 10/1994 Miller
 D383,913 S 9/1997 Ahlstrom
 D387,210 S 12/1997 Hutton
 5,699,569 A 12/1997 Schwarz-Zohrer
 D389,676 S * 1/1998 Diaz-Azcuy D6/692
 D416,143 S 11/1999 Ragan
 D426,713 S 6/2000 Peterson
 D428,269 S 7/2000 Peterson
 D431,724 S 10/2000 Peterson
 D435,355 S 12/2000 Peterson
 D449,469 S * 10/2001 O'Hare D6/692
 D478,748 S 8/2003 Liu
 D514,834 S 2/2006 O'Hare
 D517,835 S 3/2006 O'Hare
 7,213,277 B1 5/2007 Hsieh
 D546,588 S 7/2007 Massaud
 D552,383 S 10/2007 Glebe
 D555,918 S 11/2007 Massaud
 D590,153 S 4/2009 Sapp
 D614,420 S 4/2010 Wu
 D617,112 S 6/2010 Tsai
 D624,762 S 10/2010 Podsiadlo
 D640,839 S 6/2011 Zine
 D652,339 S * 1/2012 Zander D11/4
 D658,911 S 5/2012 Jeanty
 D670,512 S * 11/2012 Li D6/691
 D687,235 S 8/2013 Sage
 D689,703 S 9/2013 Oren
 D702,468 S 4/2014 Pedersen
 D716,596 S 11/2014 Pedersen
 D723,747 S 3/2015 Diskin
 D725,922 S 4/2015 Banda
 D726,466 S 4/2015 Lin
 D758,753 S 6/2016 Lagier
 D764,187 S 8/2016 Herrmann
 D770,213 S 11/2016 Bellows
 D771,515 S * 11/2016 Barden D11/4
 D771,963 S * 11/2016 Patel D6/352
 9,585,493 B2 3/2017 Haut
 D826,592 S 8/2018 Kapanzhi

D833,786 S 11/2018 Everson
 2014/0075670 A1 3/2014 Crumrine
 2016/0066708 A1 3/2016 Sclare

OTHER PUBLICATIONS

Innerspace Luxury Products Barrel Table, amazon.com, reviewed Dec. 21, 2017, site visited Dec. 31, 2018, available online at <https://www.amazon.com/InnerSpace-Luxury-Products-Barrel-Circles/dp/B00C6730BG> (Year: 2017).*

DIY Reclaimed Wood Coffee Table, csrlalumni.org, site visited Dec. 31, 2018, available online at <http://csrlalumni.org/reclaimed-wood-coffee-table-diy-gallery/29887/nice-reclaimed-wood-coffee-table-diy-interior-property-in-reclaimed-wood-coffee-table> . . . (Year: 2018).*

Wine crate natural wood coffee table, quelfilm.info, May 10, 2018, site visited Dec. 31, 2018, available online at <http://quelfilm.info/natural-wood-round-coffee-table/> (Year: 2018).*

Tremont Round Coffee Table, Pier1.com, reviewed Nov. 29, 2017, site visited Dec. 31, 2018, available online at https://www.pier1.com/tremont-round-coffee-table/2779639.html?cjevent=ec0fd4e10d3d11e98163078e0a240614&s_cid=aff0000002%7C1909792&u . . . (Year: 2017).*

Ella Coffee Table, Summer Classics, internet archive date of Mar. 7, 2016, site visited Dec. 20, 2018, available online at <https://summerclassics.com/products/ella-coffee-table-2/> (Year: 2016).*

Aguiar Dining Table, AllModern, customer review in 2016, site visited Dec. 20, 2018, available online at <https://www.allmodern.com/furniture/pdp/trent-austin-design-aguiar-5-piece-dining-set-tmt4203.html> (Year: 2016).

Waylen Oval Upholstered Coffee Table, Furniture of America, Houzz.com, site visited Dec. 20, 2018, available online at https://www.houzz.com/product/120493168-furniture-of-america-waylen-oval-upholstered-coffee-table-beige-transitional-coffee-tables/?m_refid=PLA . . . (Year: 2018).

Miller Oval Button Tufted Ottoman, Furniture of America, People.com, site visited Dec. 20, 2018, available online at <https://people.com/shop/furniture-of-america-furniture-of-america-miller-beige-oval-button-tufted-ottoman-of6dc6d1d9f17e6661a329672275f5792.html> (Year: 2018).

Velvet Grey Tufted Ottoman Coffee Table, blockislandtransportation.com, site visited Dec. 31, 2018, available online at <http://blockislandtransportation.com/. . .-decor-large-with-storage-gray-ottoman-furniture-round-cloth-small-black-leather-hassock-modem/> (Year: 2018).

Mark Sikes Canon Storage Ottoman, One Kings Lane, site visited Dec. 31, 2018, available online at https://www.onekingslane.com/p/4755482-canon-storage-ottoman-blue-floral-linen.do?utm_medium=Affiliates&utm_source=CJ&utm_term=12940326 . . . (Year: 2018).

Naula Tufted Storage Ottoman, architonic.com, site visited Dec. 31, 2018, available online at <https://www.architonic.com/en/product/naula-tufted-storage-ottoman/1263705> (Year: 2018).

Safavieh Storage Ottoman, homedepot.com site visited Dec. 31, 2018, available online at <https://www.homedepot.com/p/Safavieh-Tanisha-Off-White-Storage-Ottoman-MCR1005B/205831451> (Year: 2018).

* cited by examiner

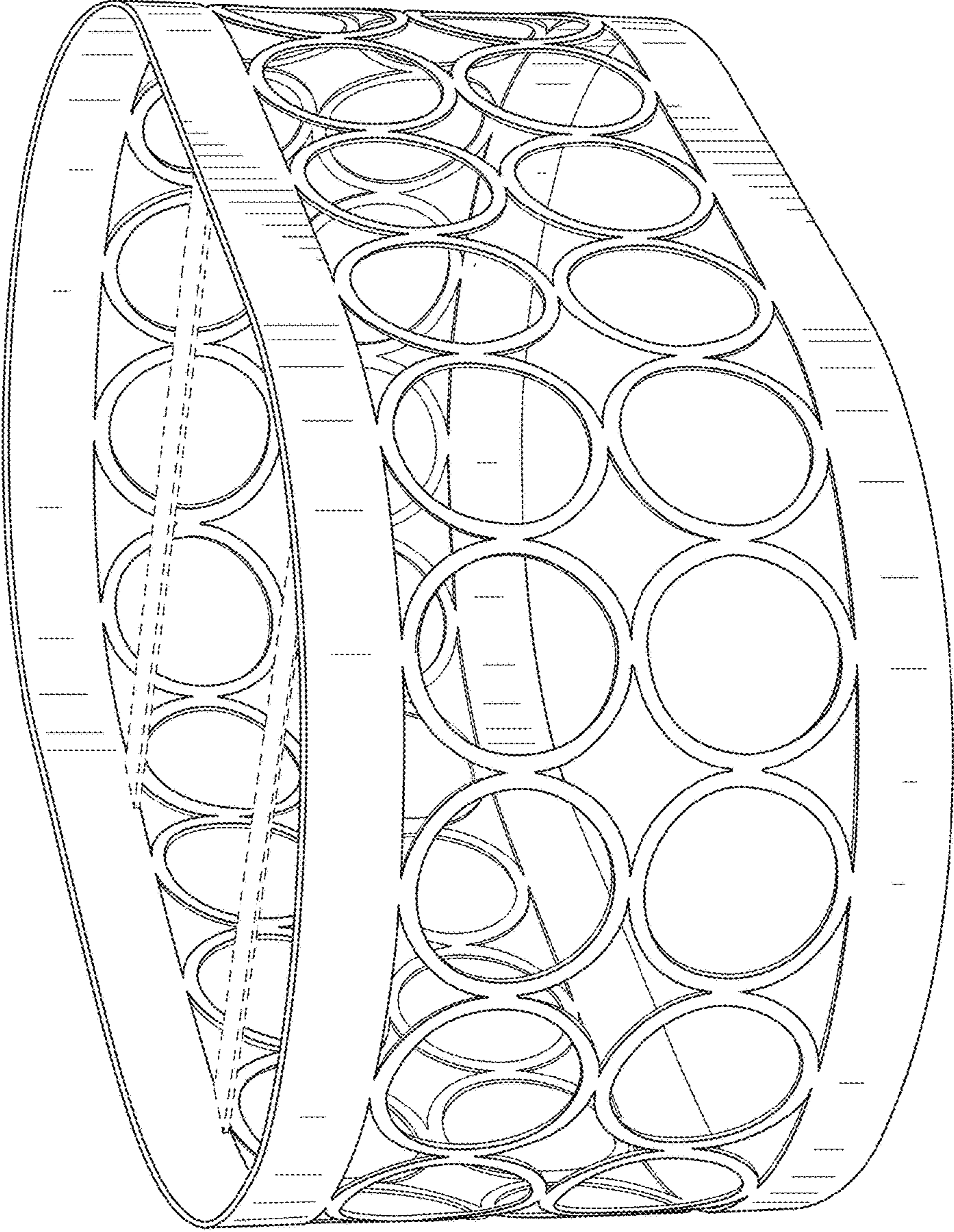


FIG. 1

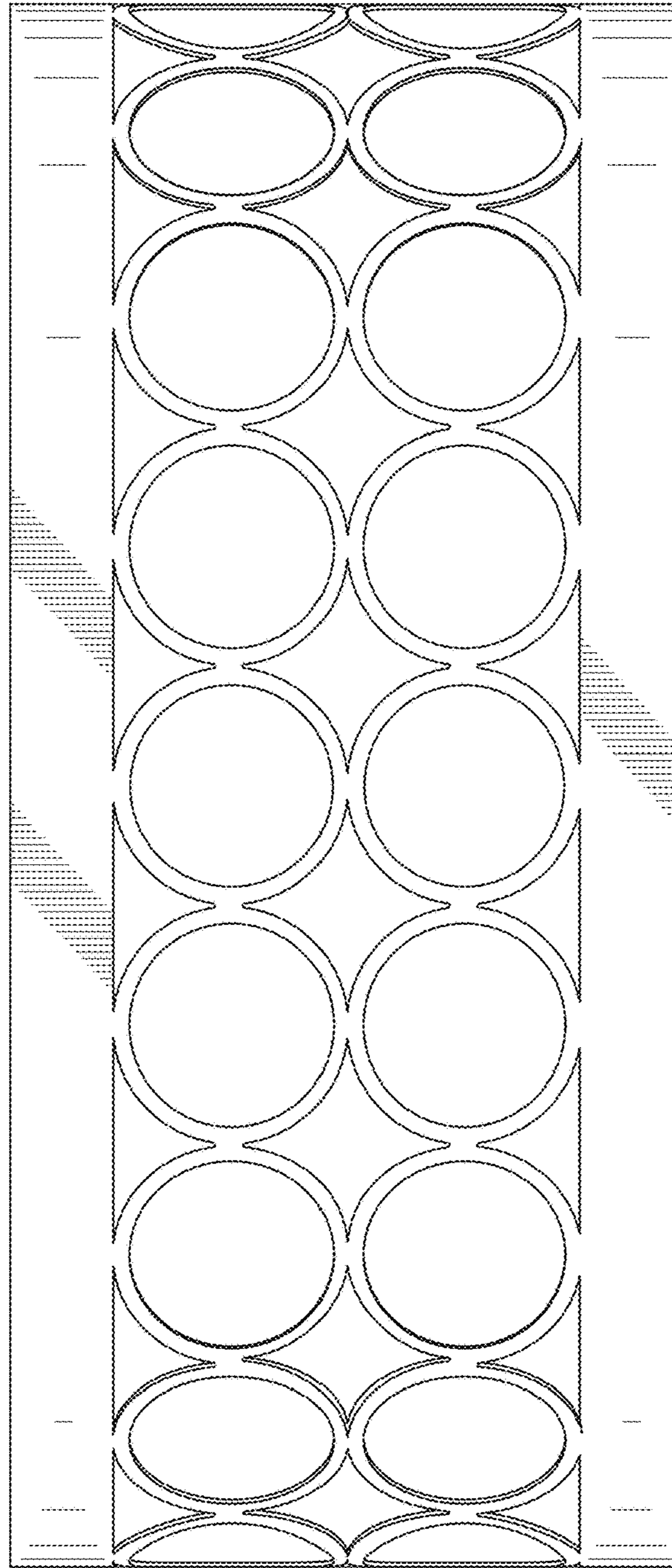


FIG. 2

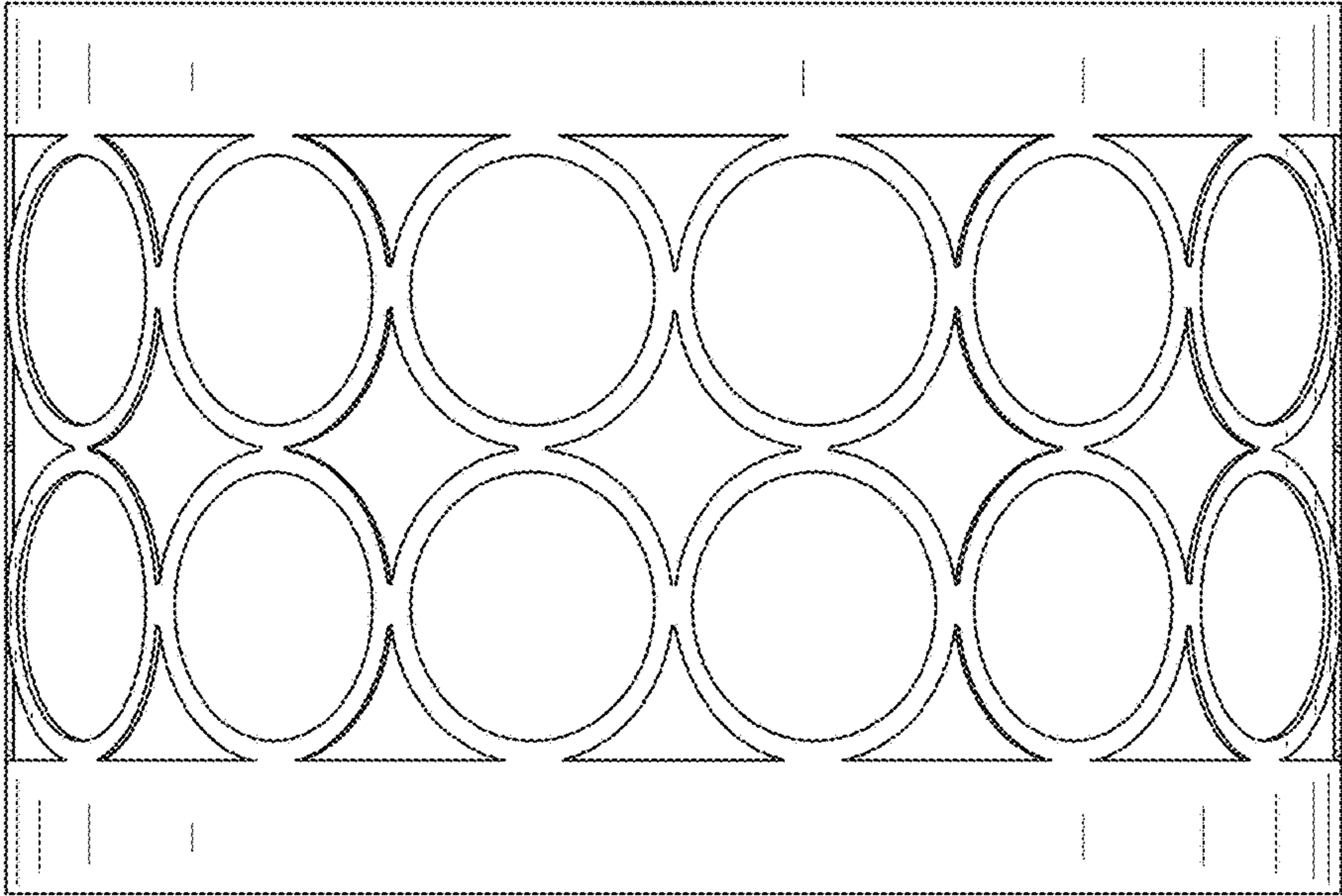


FIG. 3

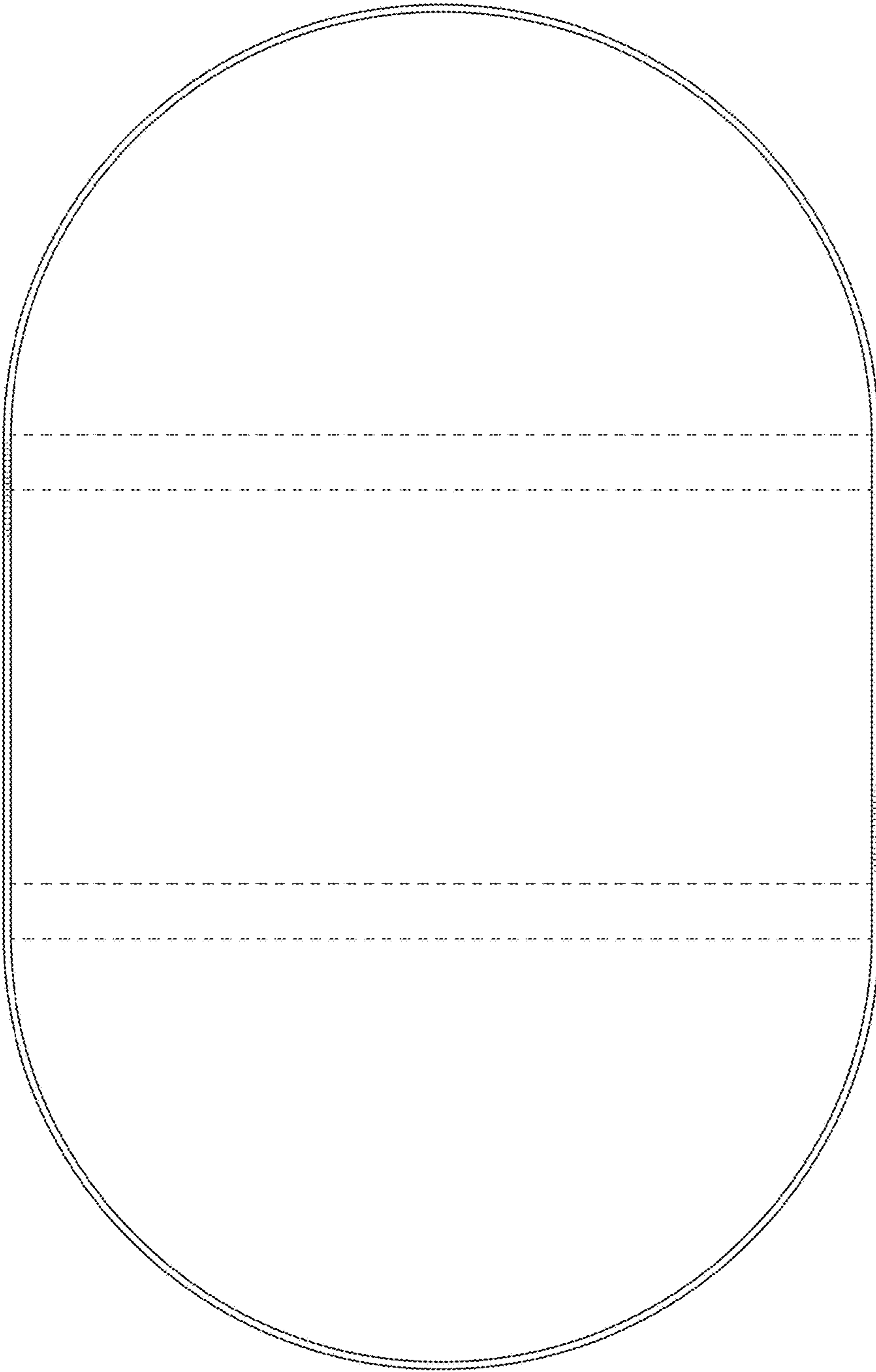


FIG. 4

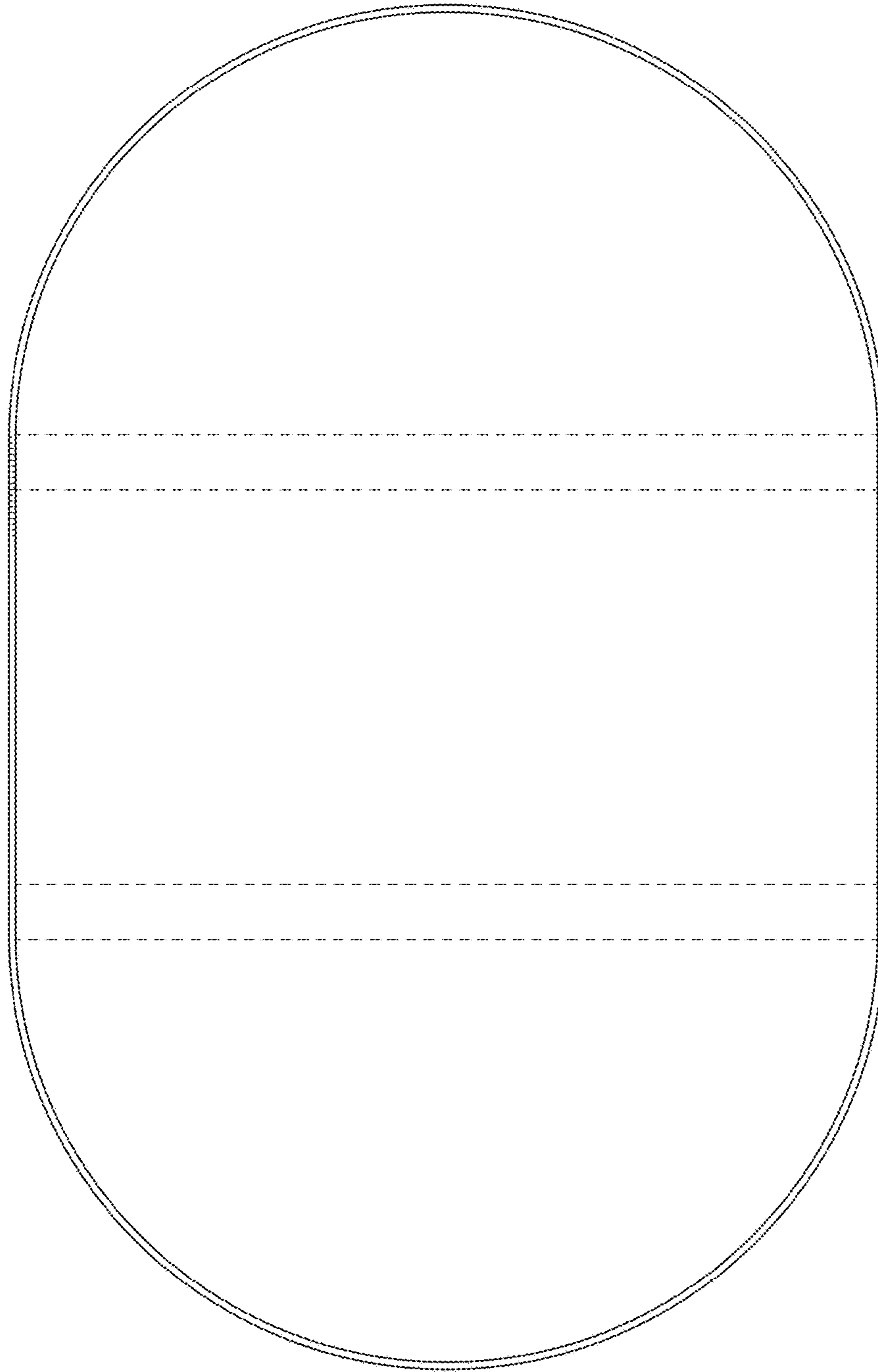
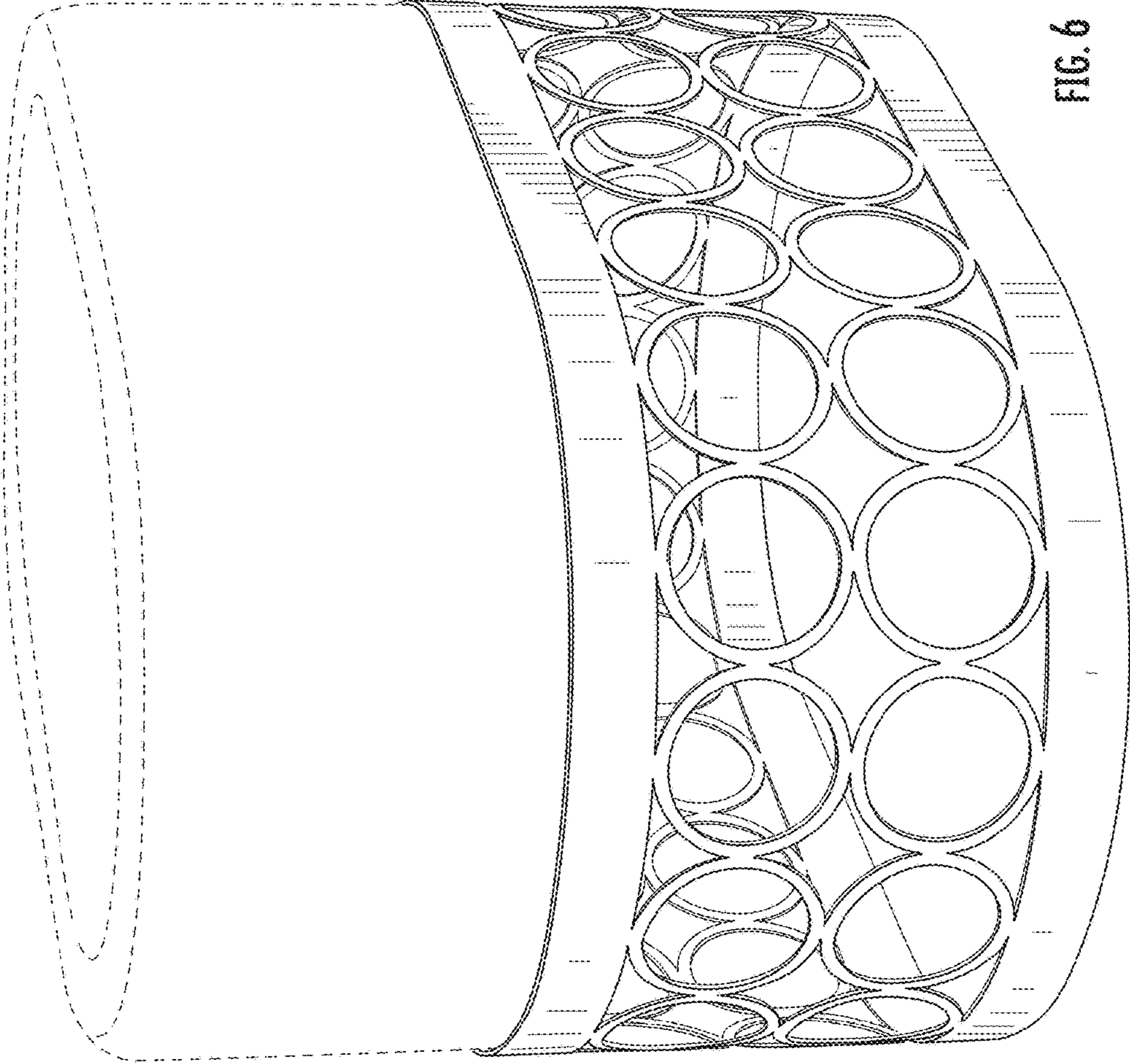


FIG. 5



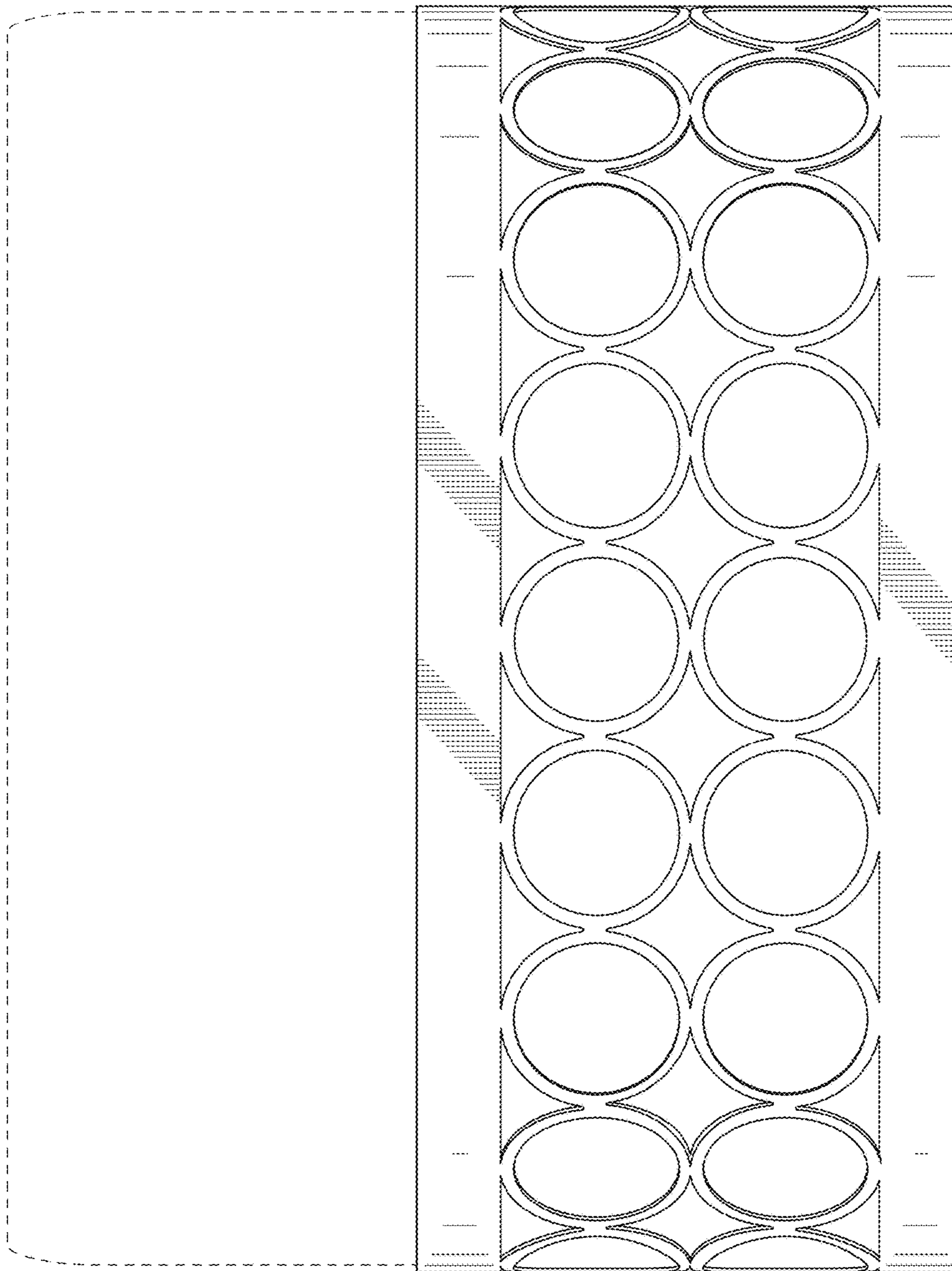


FIG. 7

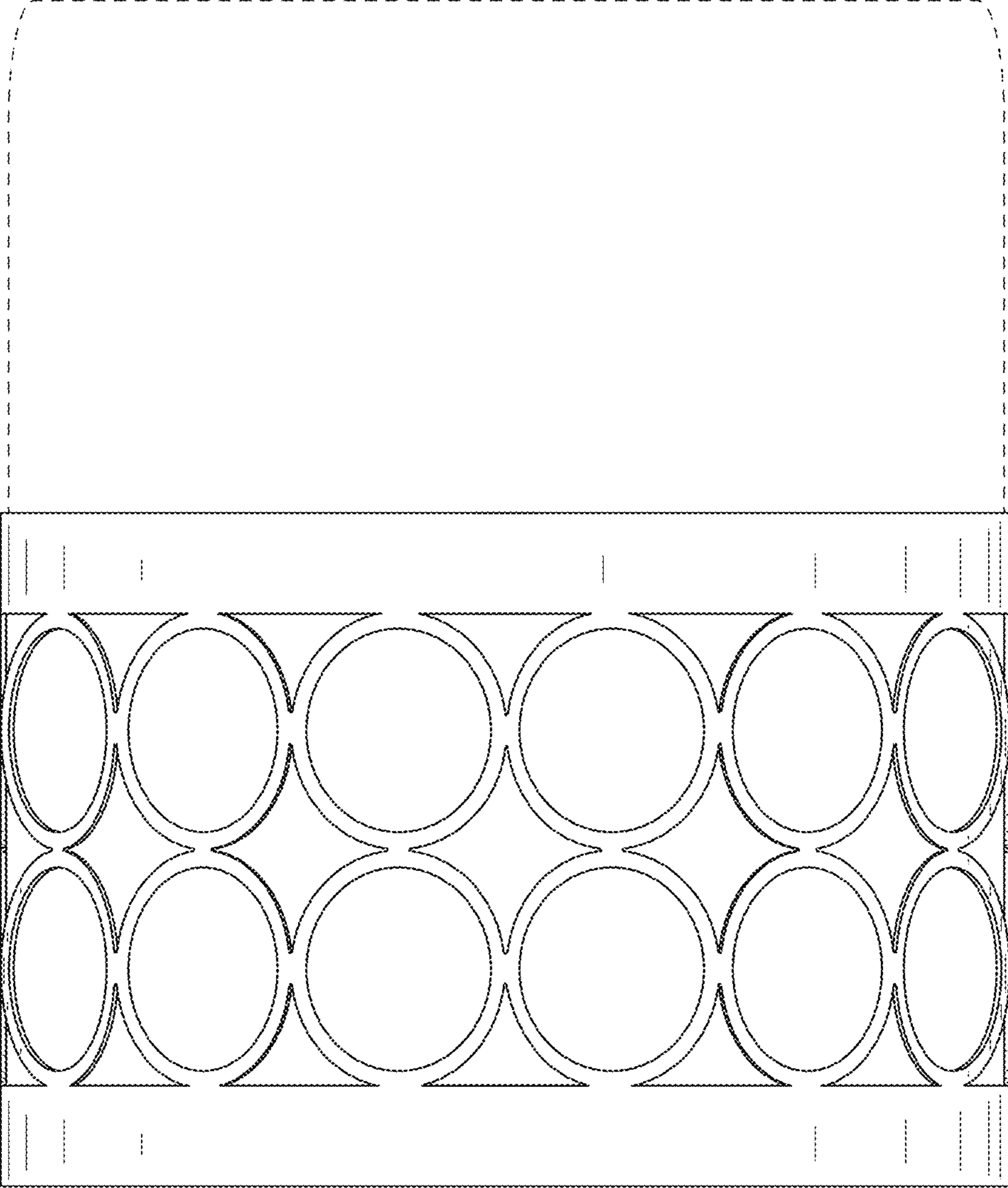


FIG. 8

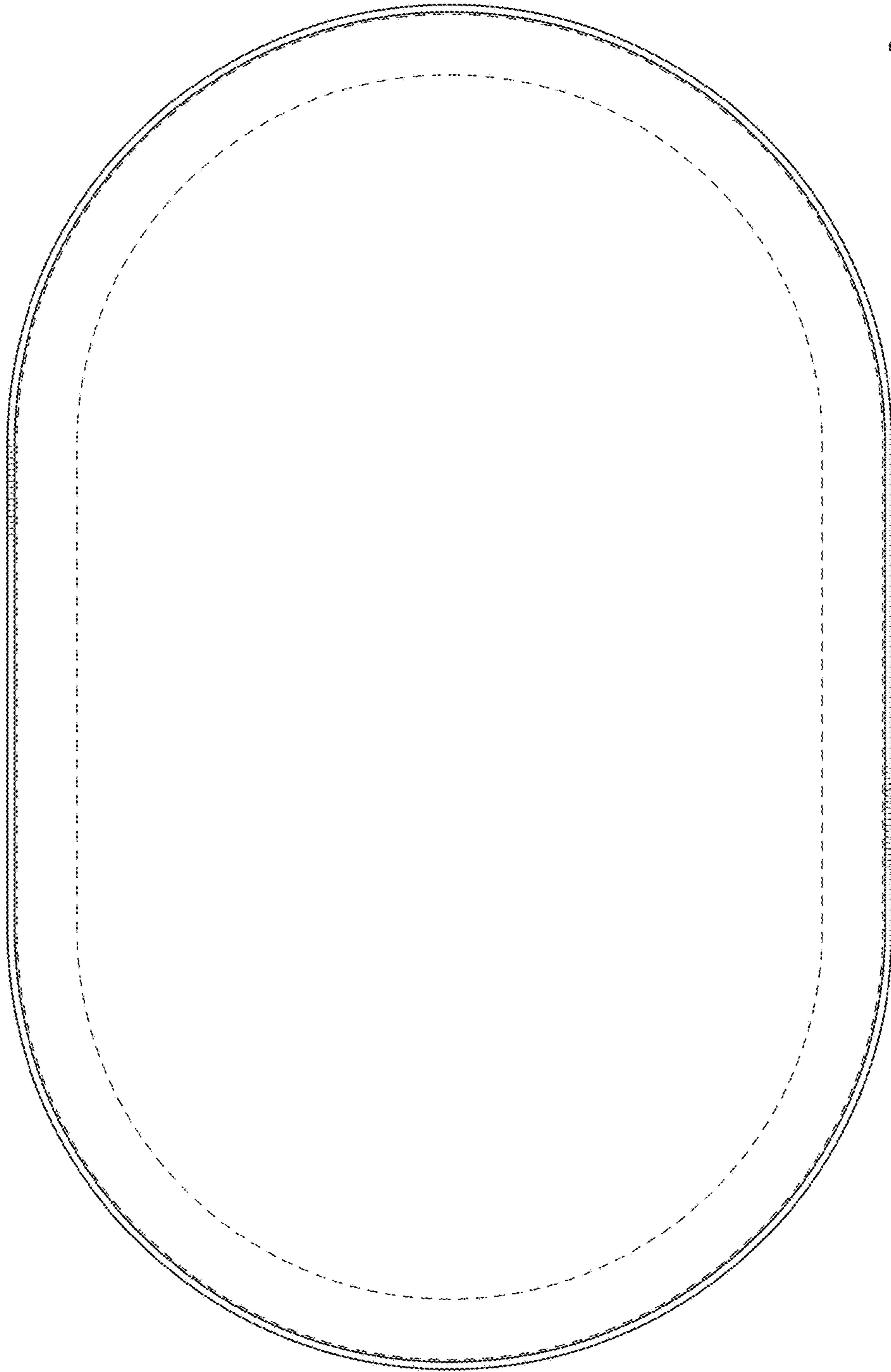


FIG. 9

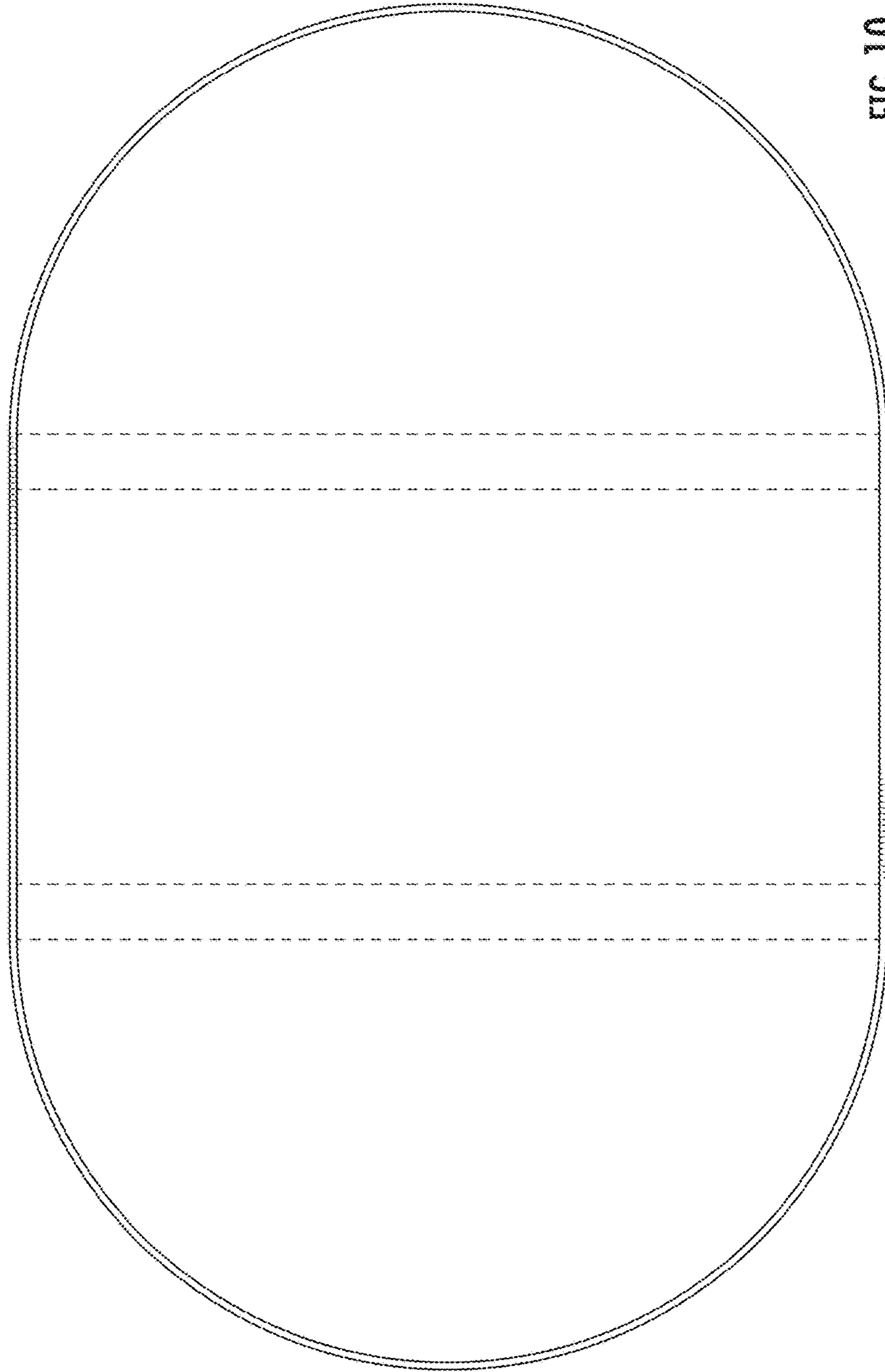


FIG. 10

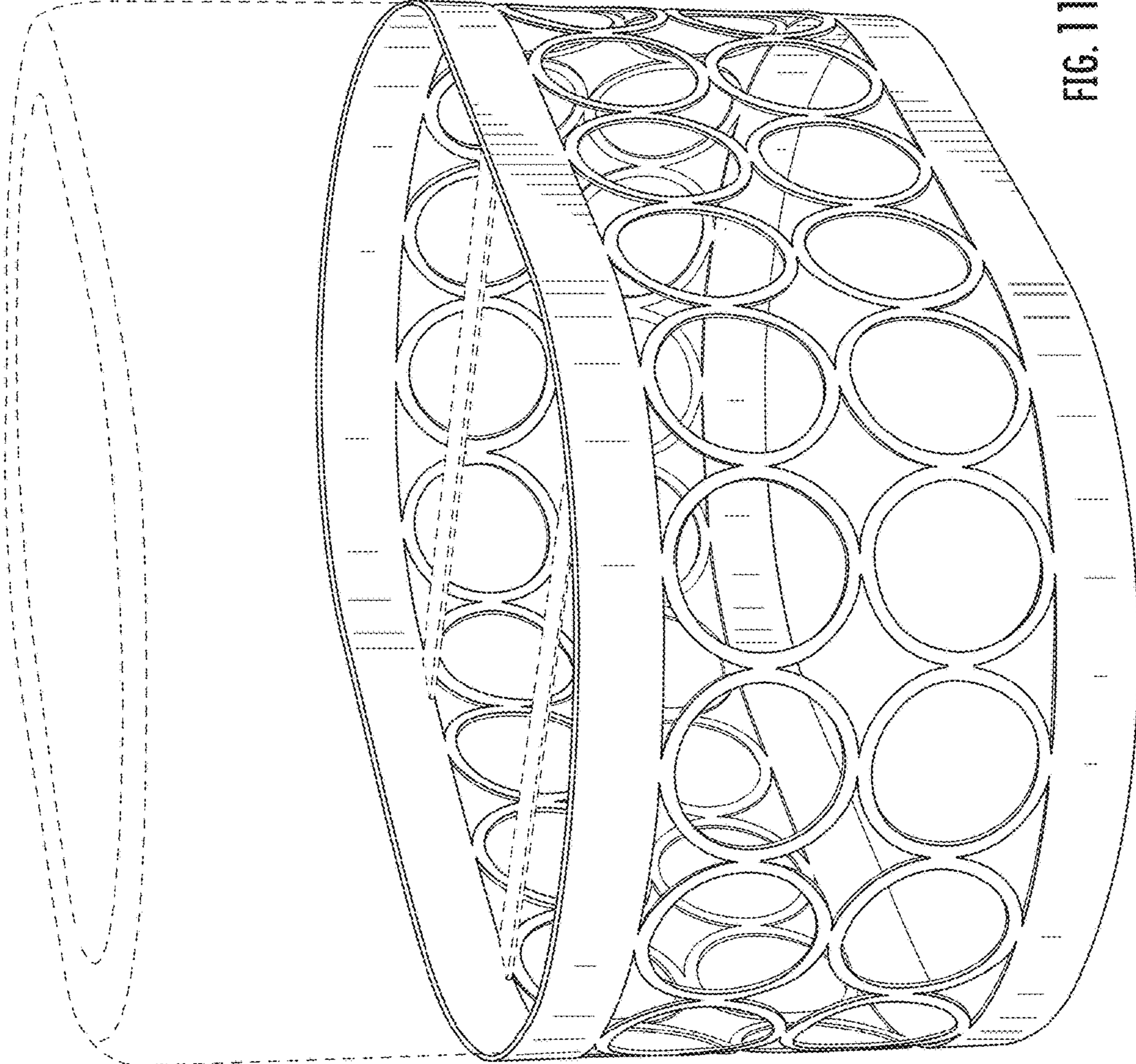


FIG. 11

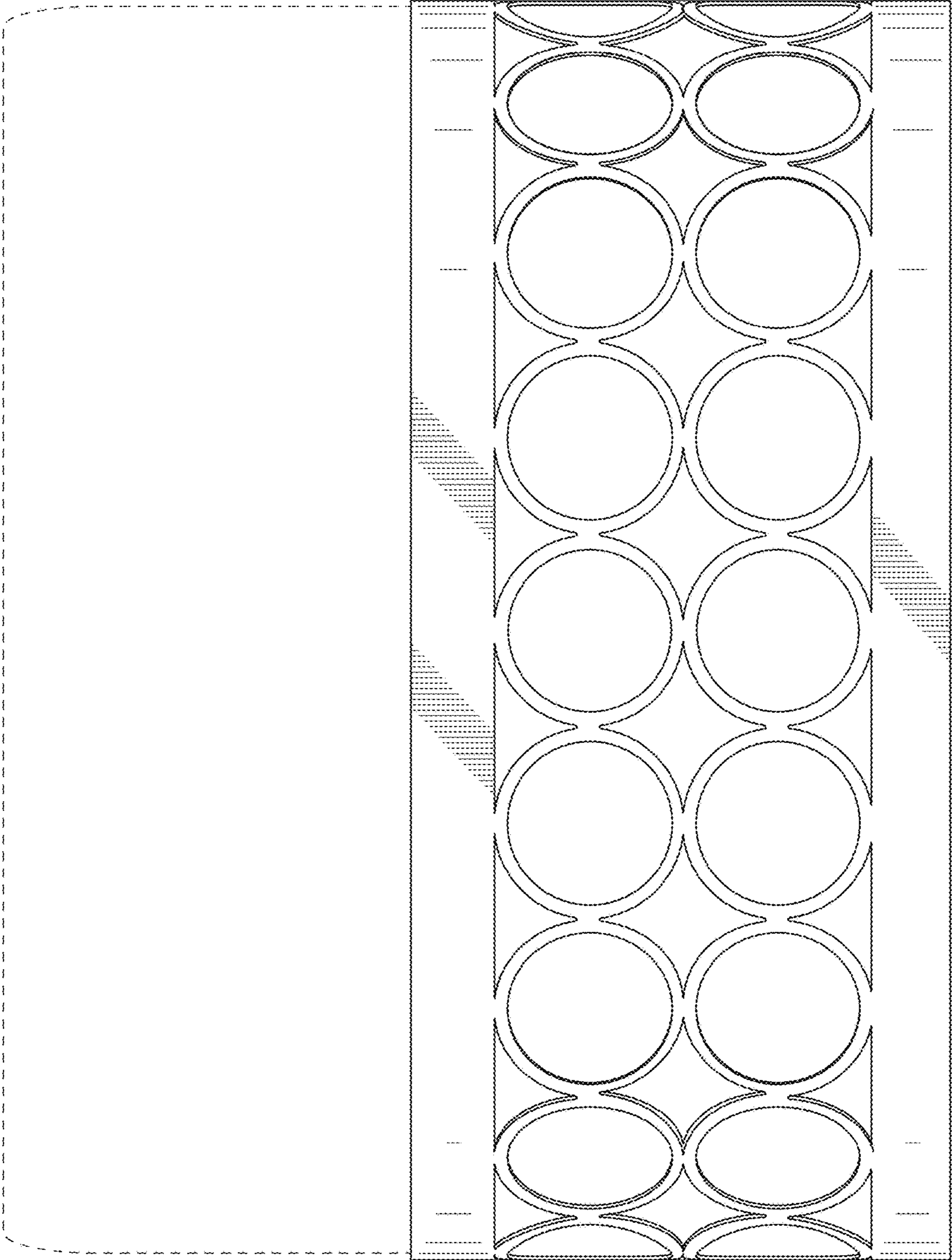


FIG. 12

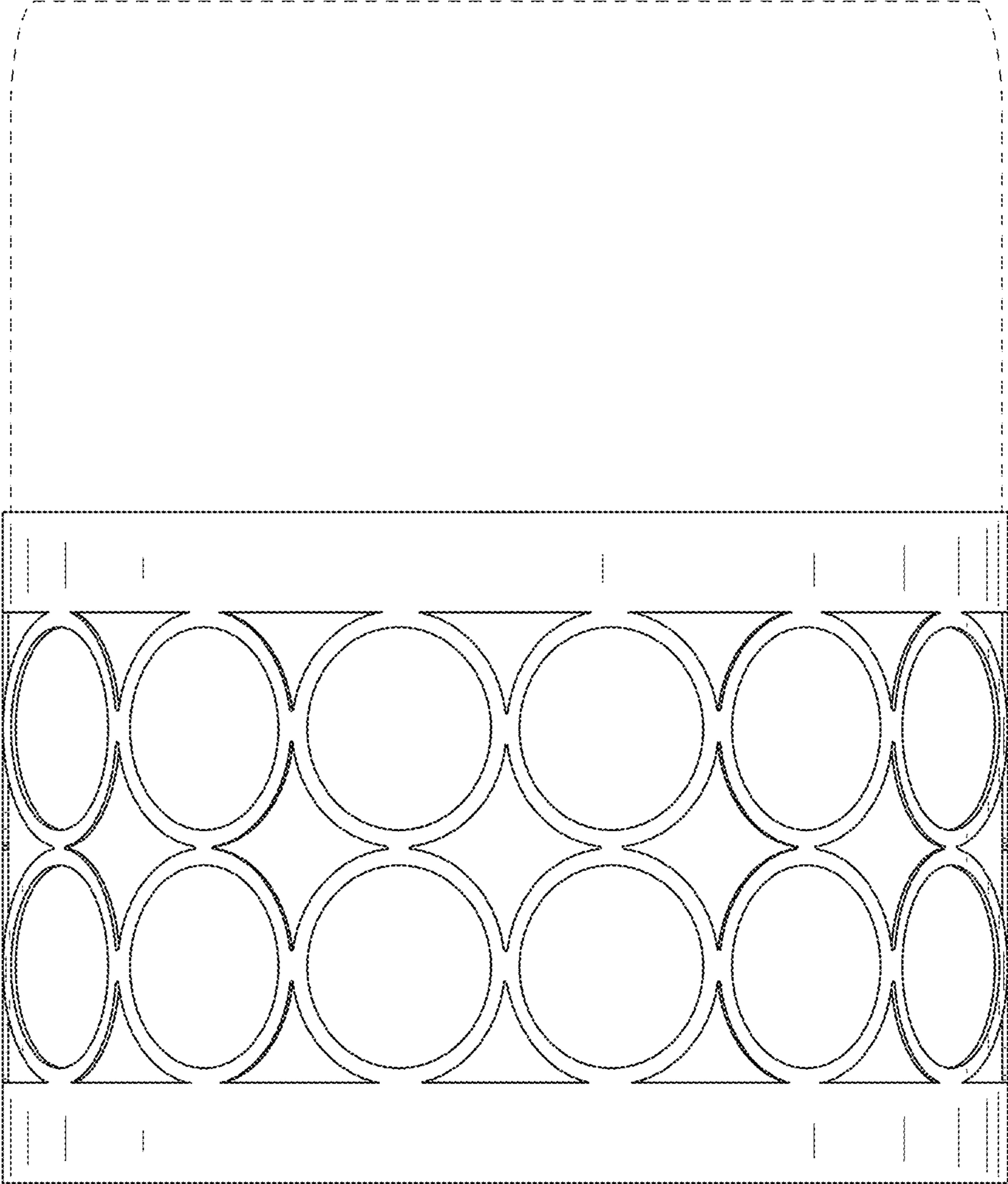


FIG. 13

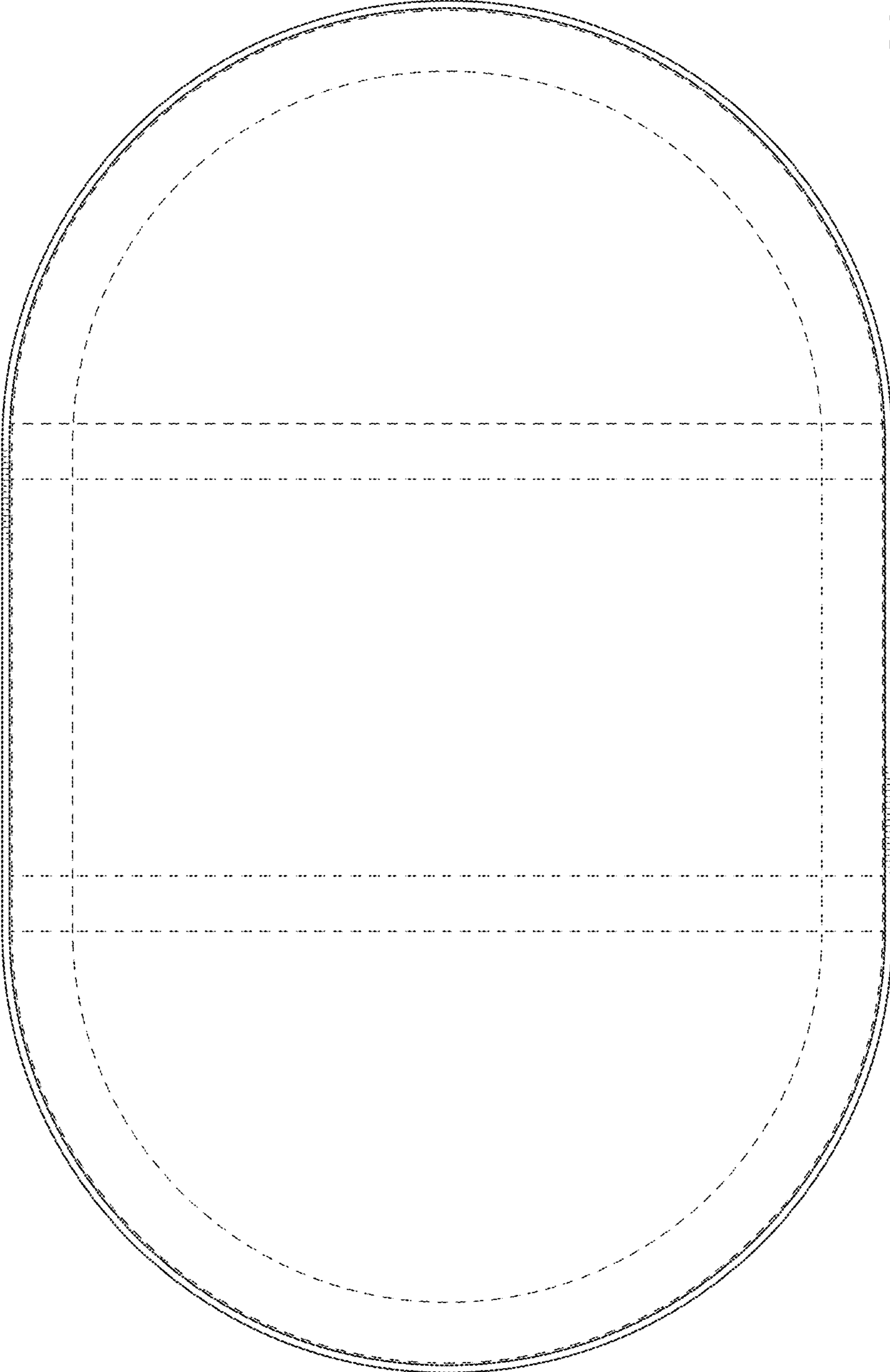


FIG. 14

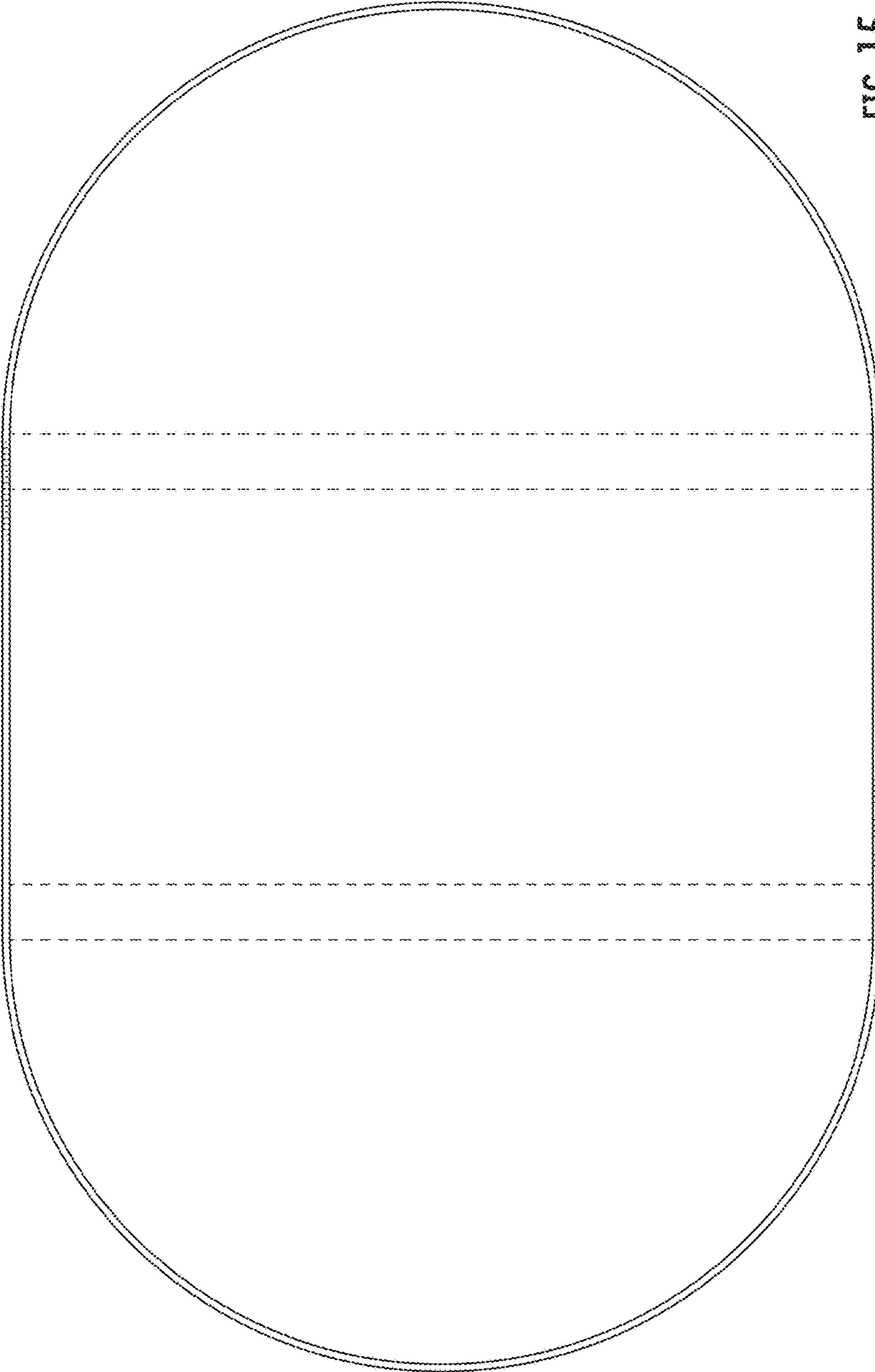


FIG. 15