



US00D847550S

(12) **United States Design Patent** (10) **Patent No.:** **US D847,550 S**
Légaré (45) **Date of Patent:** **** May 7, 2019**

(54) **PAIR OF TABLE FEET**

(71) Applicant: **TABLES MODULAIRES POSITIONNELLES 2008 INC.**,
Drummondville (CA)

(72) Inventor: **Marc-Antoine Légaré**, Drummondville (CA)

(73) Assignee: **TABLES MODULAIRES POSITIONNELLES 2008 INC.**,
Drummondville (CA)

(**) Term: **15 Years**

(21) Appl. No.: **29/582,423**

(22) Filed: **Oct. 27, 2016**

(51) **LOC (11) Cl.** **06-06**

(52) **U.S. Cl.**
USPC **D6/710**

(58) **Field of Classification Search**
USPC D6/641, 644, 653.11, 653.14, 653.21,
D6/654.11, 654.14, 654.21, 655.11,
D6/655.14, 656.12, 656.13, 685, 688.14,
D6/688.15, 691.5, 691.6, 692.4, 693.1,
D6/695.3, 695.4, 696.2, 696.3, 697.1,
D6/702, 708, 708.16, 709, 709.2, 709.22,
D6/709.1, 710

CPC A47B 7/00; A47B 13/00; A47B 13/003;
A47B 13/081; A47B 13/02; A47B
13/023; A47B 13/04; A47B 13/06; A47B
13/12; A47B 11/00; A47B 21/00; A47B
21/006; A47B 2200/0016; A47B
2200/0021; A47B 2200/002; A47B
2200/0029

See application file for complete search history.

(56) **References Cited**

U.S. PATENT DOCUMENTS

3,217,672 A * 11/1965 Haughey A47B 9/12
108/106
D207,958 S * 6/1967 Jakobsen D6/708.16
3,818,844 A * 6/1974 Burr A47B 3/0818
108/132
D315,261 S * 3/1991 Ng D34/20
(Continued)

OTHER PUBLICATIONS

Solu-Tables (MC)—Ergolab, pp. 1-3, Oct. 20, 2016, <http://ergolab.ca/product/solu-tables/>.
(Continued)

Primary Examiner — Mary Ann Calabrese
(74) *Attorney, Agent, or Firm* — Gwendoline Bruneau

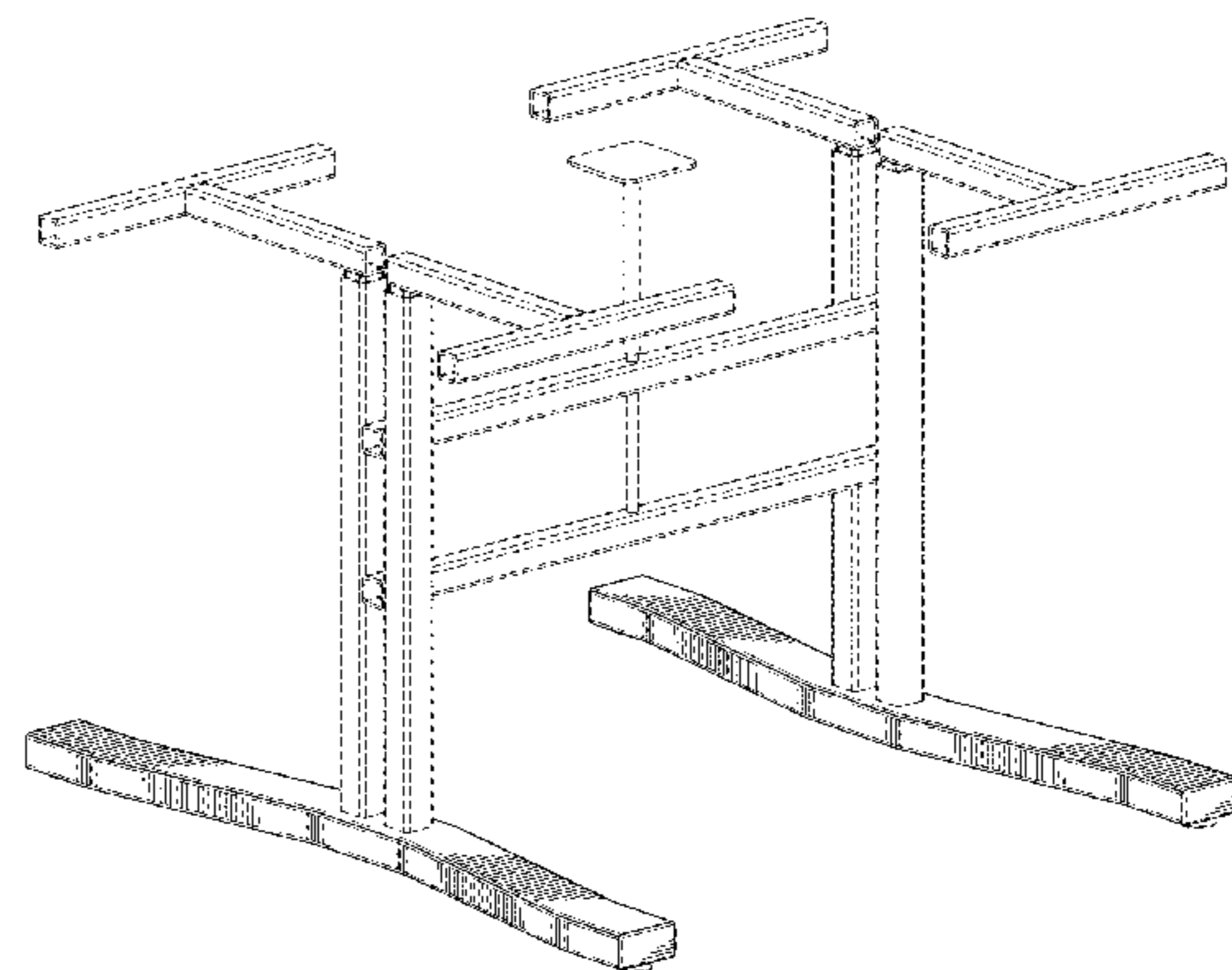
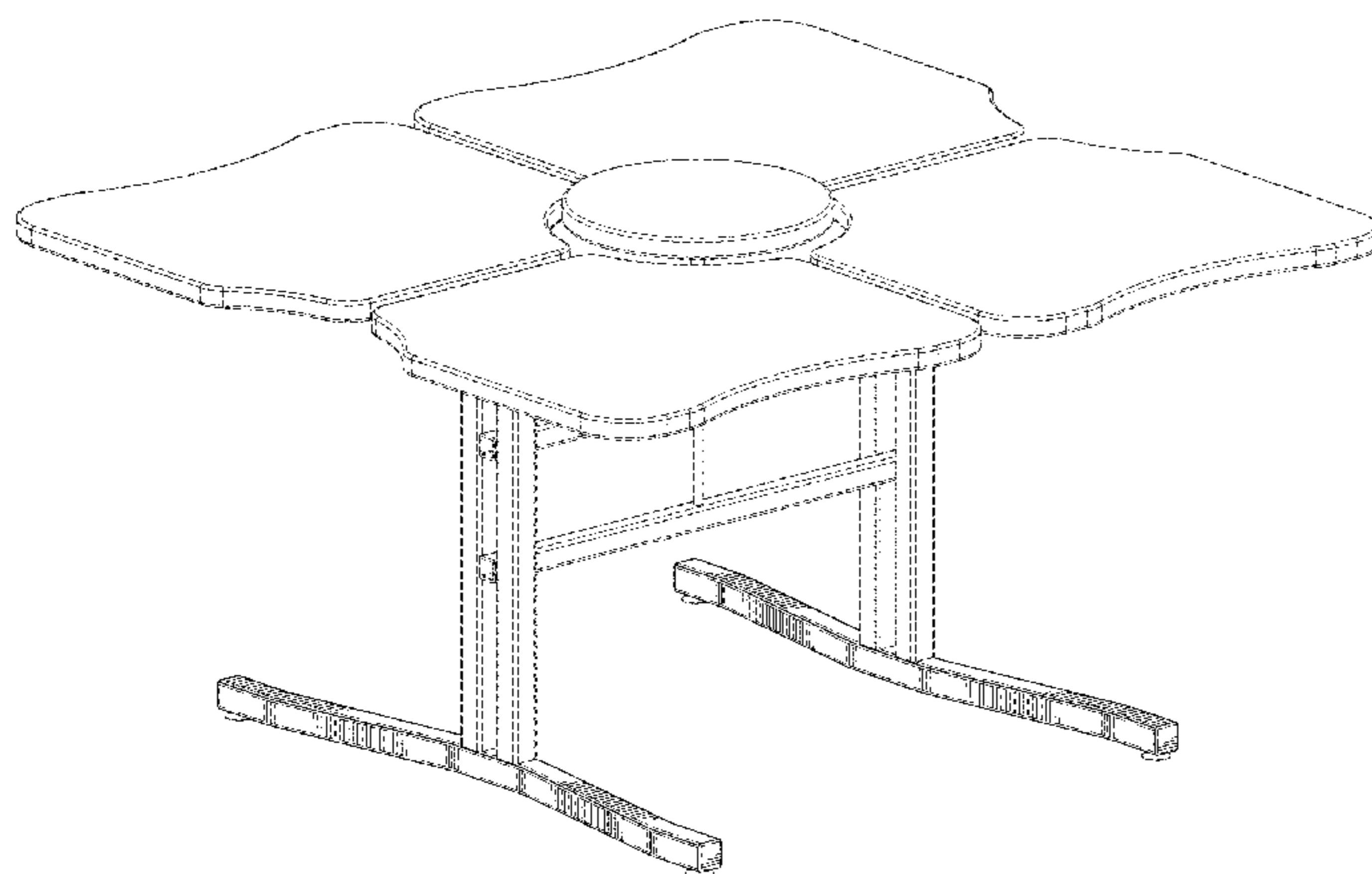
(57) **CLAIM**

The ornamental design for a pair of table feet, as shown and described.

DESCRIPTION

FIG. 1 is a perspective view showing a first embodiment of my new design, with environment shown in broken line and forming no part of the claimed design;
FIG. 2 is a front view of FIG. 1;
FIG. 3 is a side view of FIG. 1;
FIG. 4 is a top view of FIG. 1;
FIG. 5 is a bottom view of FIG. 1;
FIG. 6 is a perspective view showing a second embodiment of my new design;
FIG. 7 is a front view of FIG. 6;
FIG. 8 is a side view of FIG. 6;
FIG. 9 is a top view of FIG. 6;
FIG. 10 is a bottom view of FIG. 6;
FIG. 11 is a perspective view showing a third embodiment of my new design;
FIG. 12 is a front view of FIG. 11;
FIG. 13 is a side view of FIG. 11;
FIG. 14 is a top view of FIG. 11; and,
FIG. 15 is a bottom view of FIG. 11.
The broken lines form no part of the claimed design.

1 Claim, 15 Drawing Sheets



(56)

References Cited

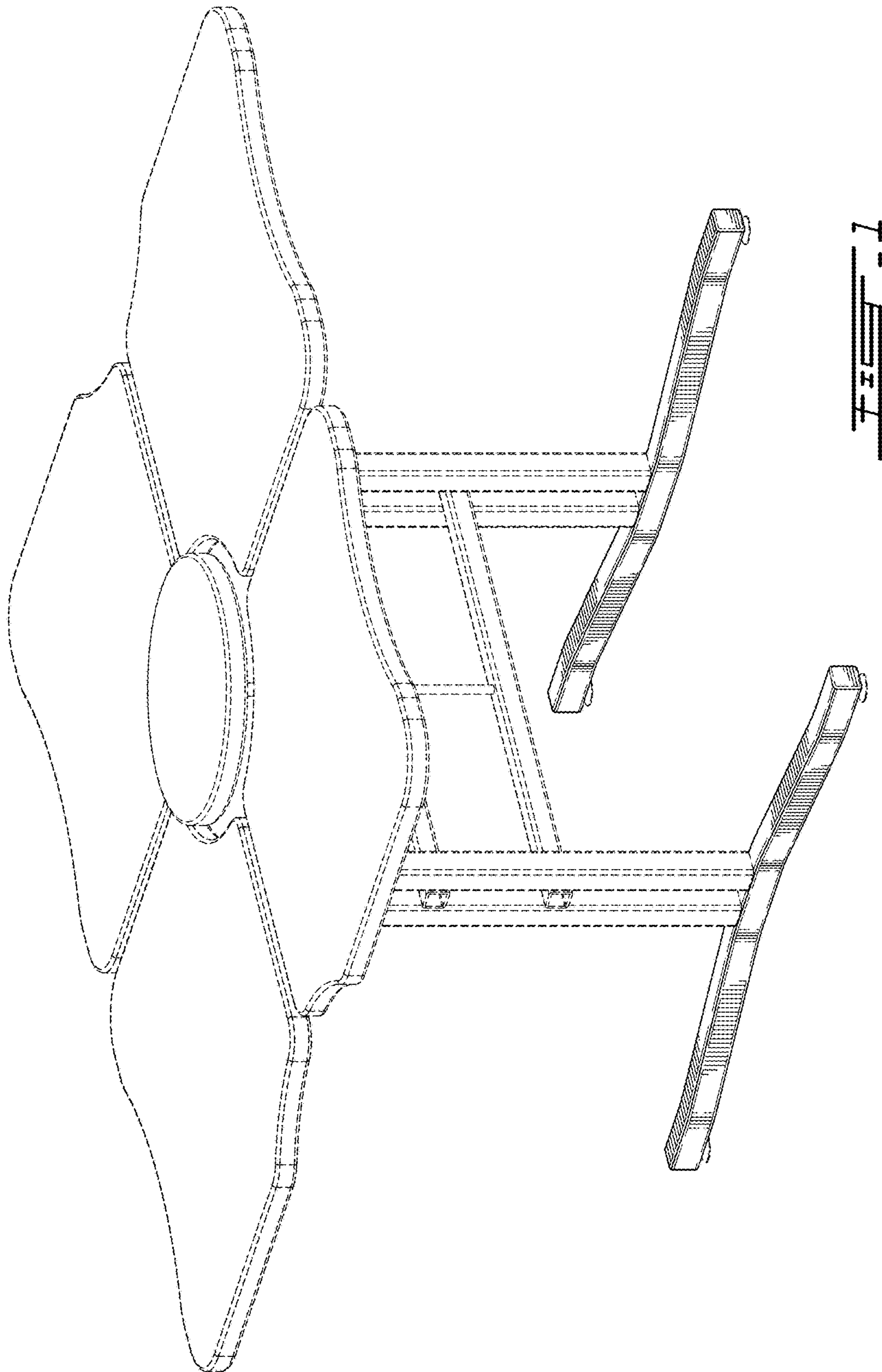
U.S. PATENT DOCUMENTS

D334,104 S * 3/1993 Murry A47B 3/0818
D6/708
D515,852 S * 2/2006 Strong D6/709.2
D560,085 S * 1/2008 Glass D6/656.17
D640,075 S * 6/2011 Petrick D6/656.17
D723,849 S * 3/2015 Mueller D6/709
D790,268 S * 6/2017 Molteni D6/708.16
D795,620 S * 8/2017 Labrosse A47B 9/12
D6/709
D805,335 S * 12/2017 Itou D6/709.2
D832,016 S * 10/2018 Ezure D6/710

OTHER PUBLICATIONS

Table d'assistance rectangulaire 4 places—TDR*4 image, 2016,
Tables modulaires positionnelles—Multi Positional Tables, Canada,
<http://tablesmodulaires.com/wp-content/uploads/2016/05/TDR4.jpg>.

* cited by examiner



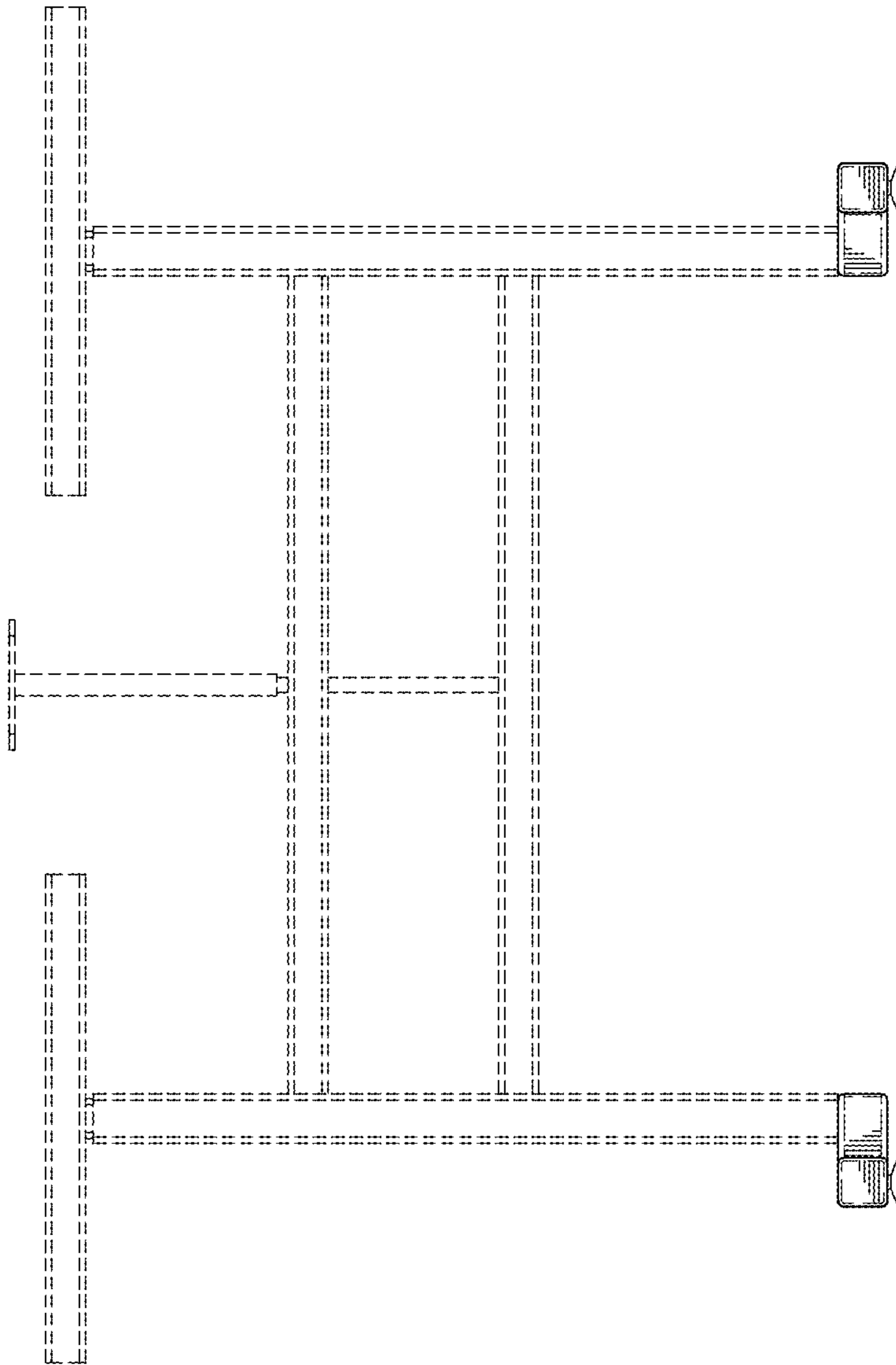


FIG. 2

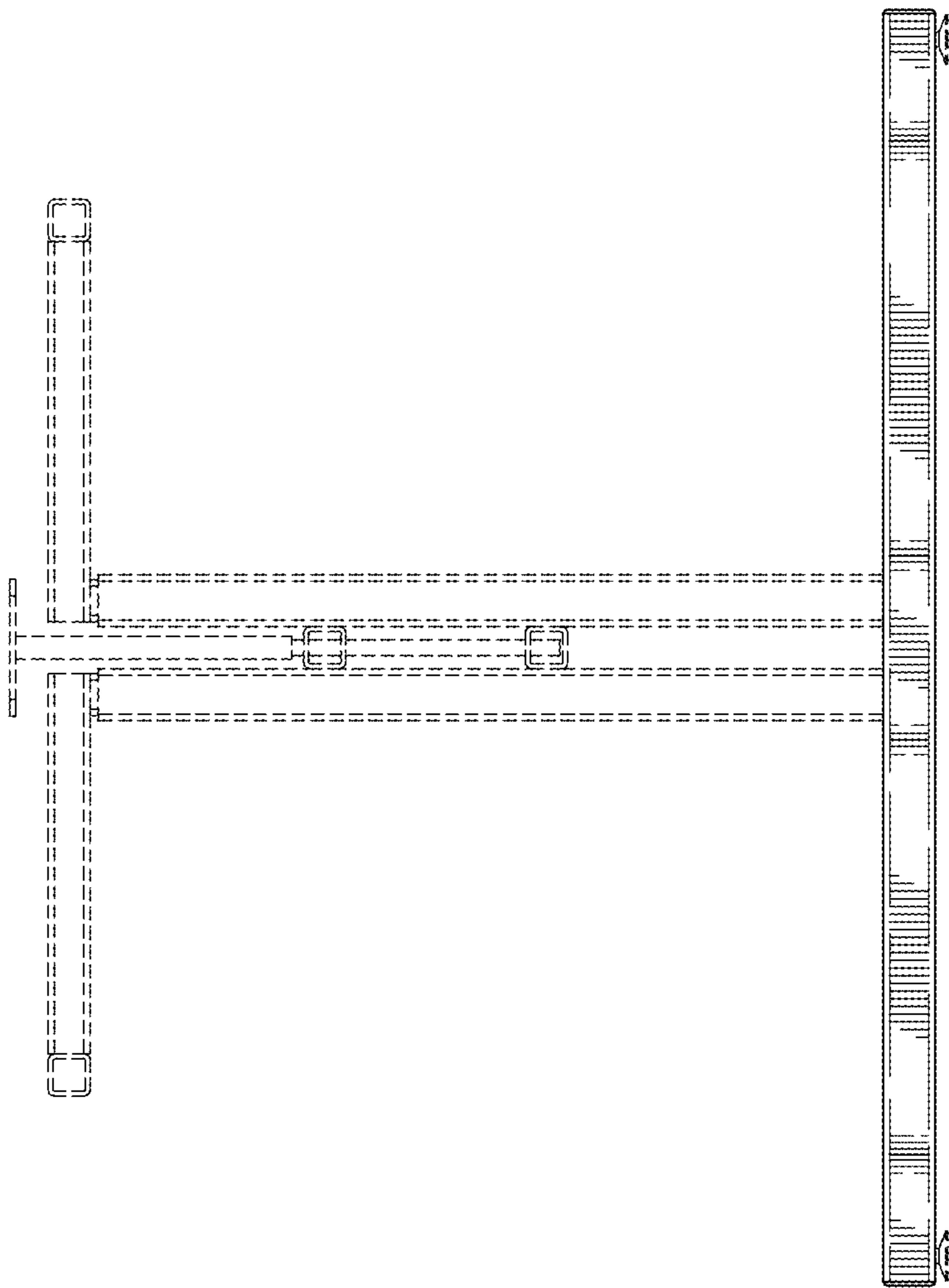


FIG. 3

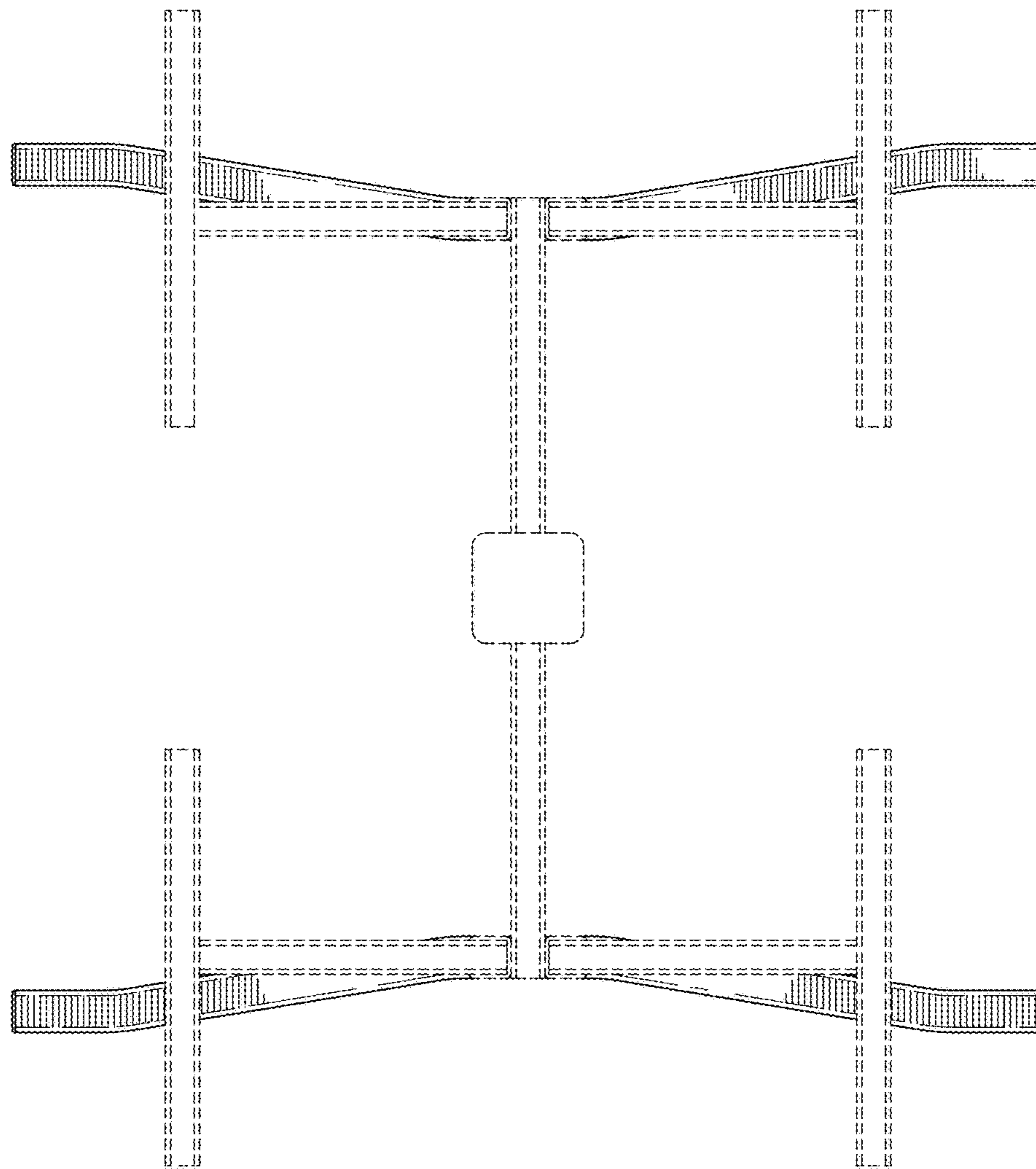


FIG. 4

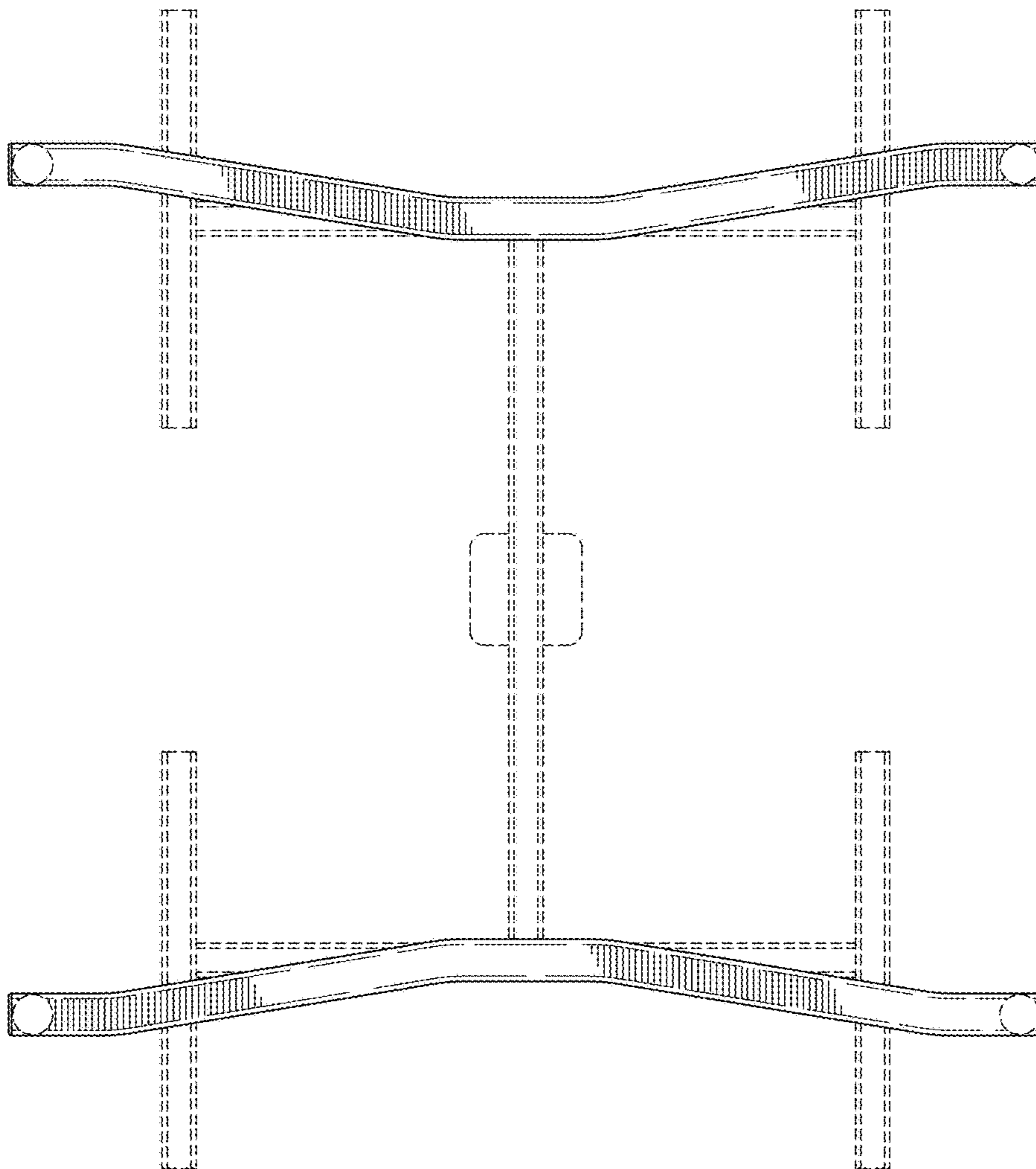
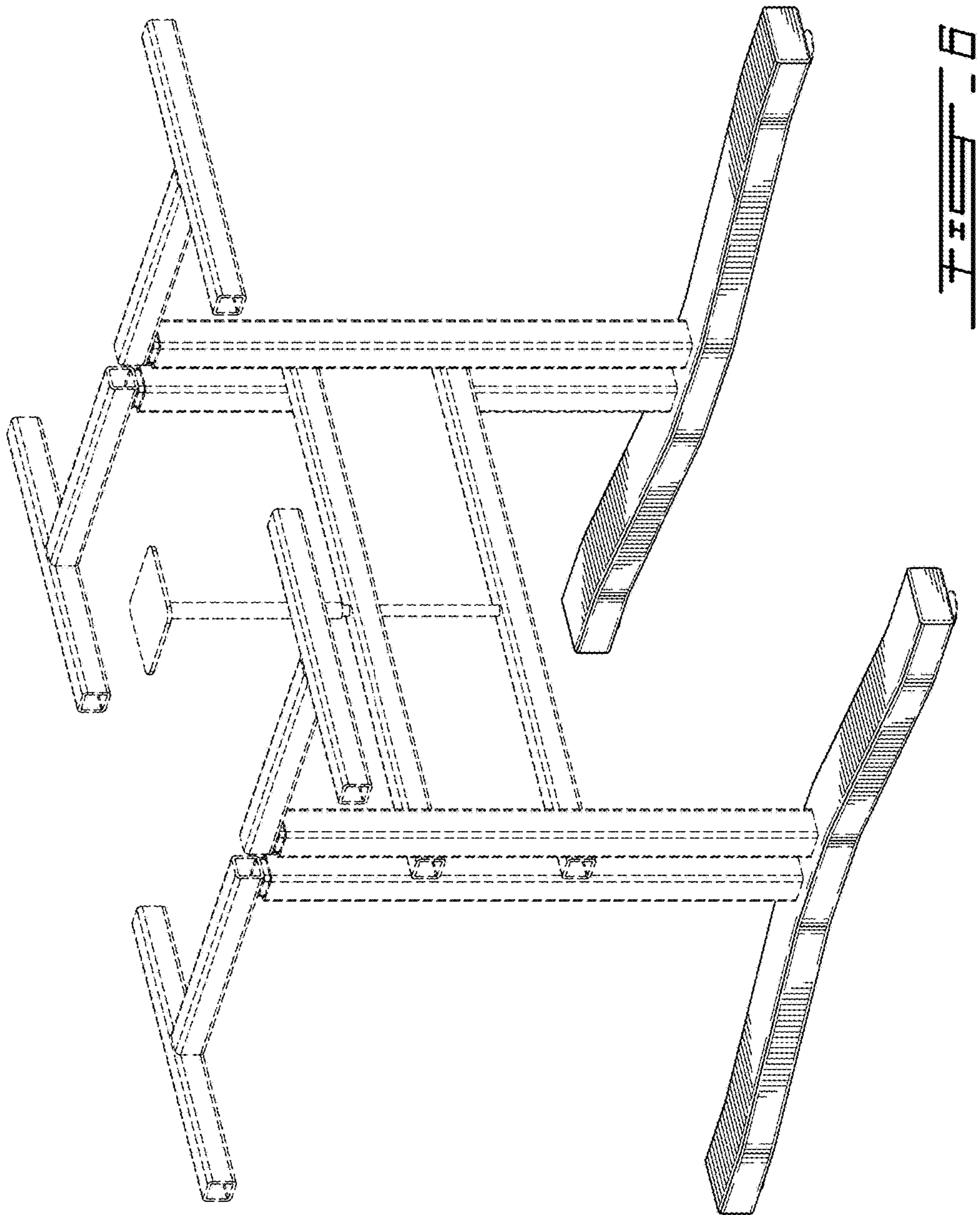


FIG. 5



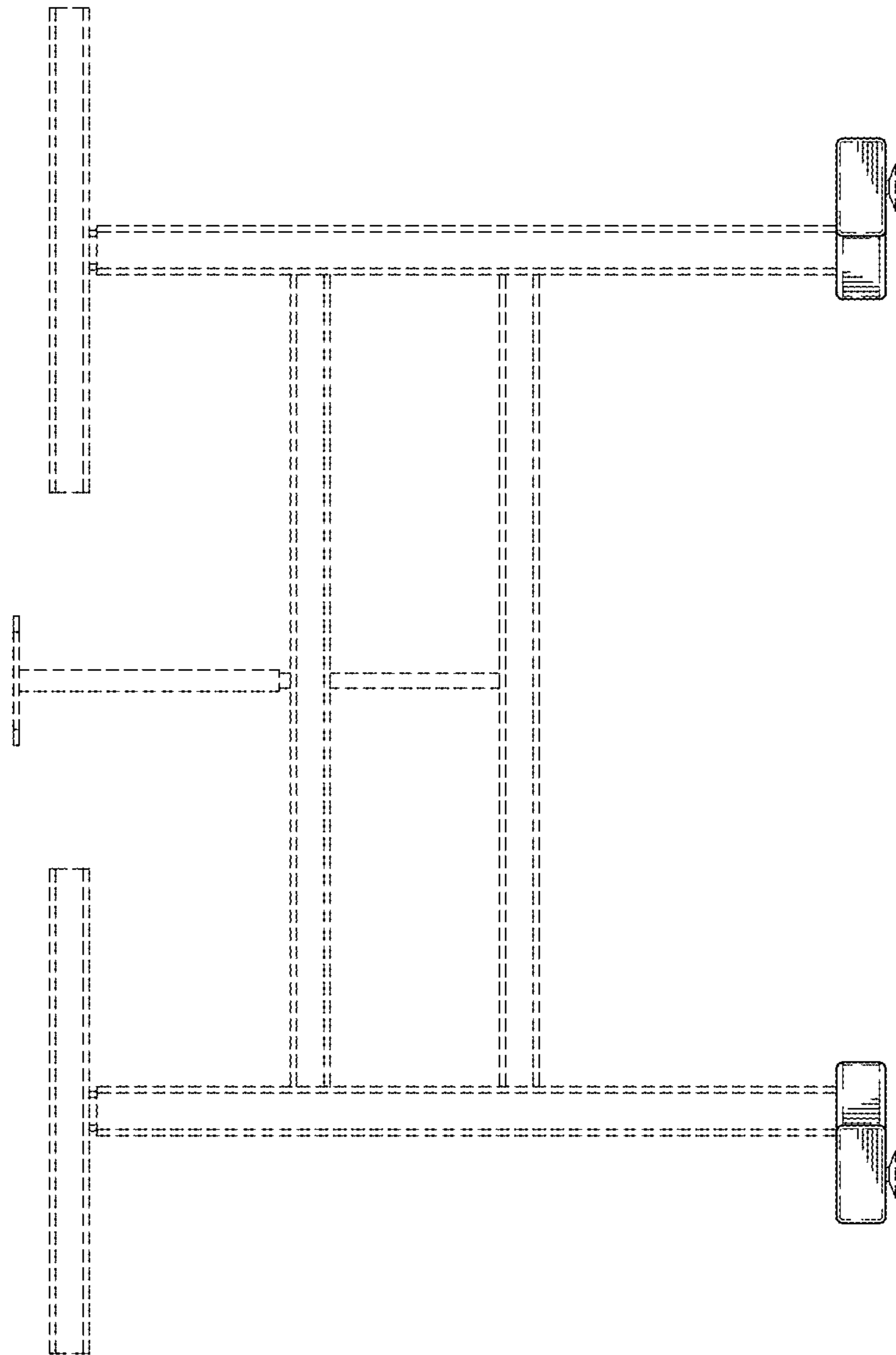


FIG. 7

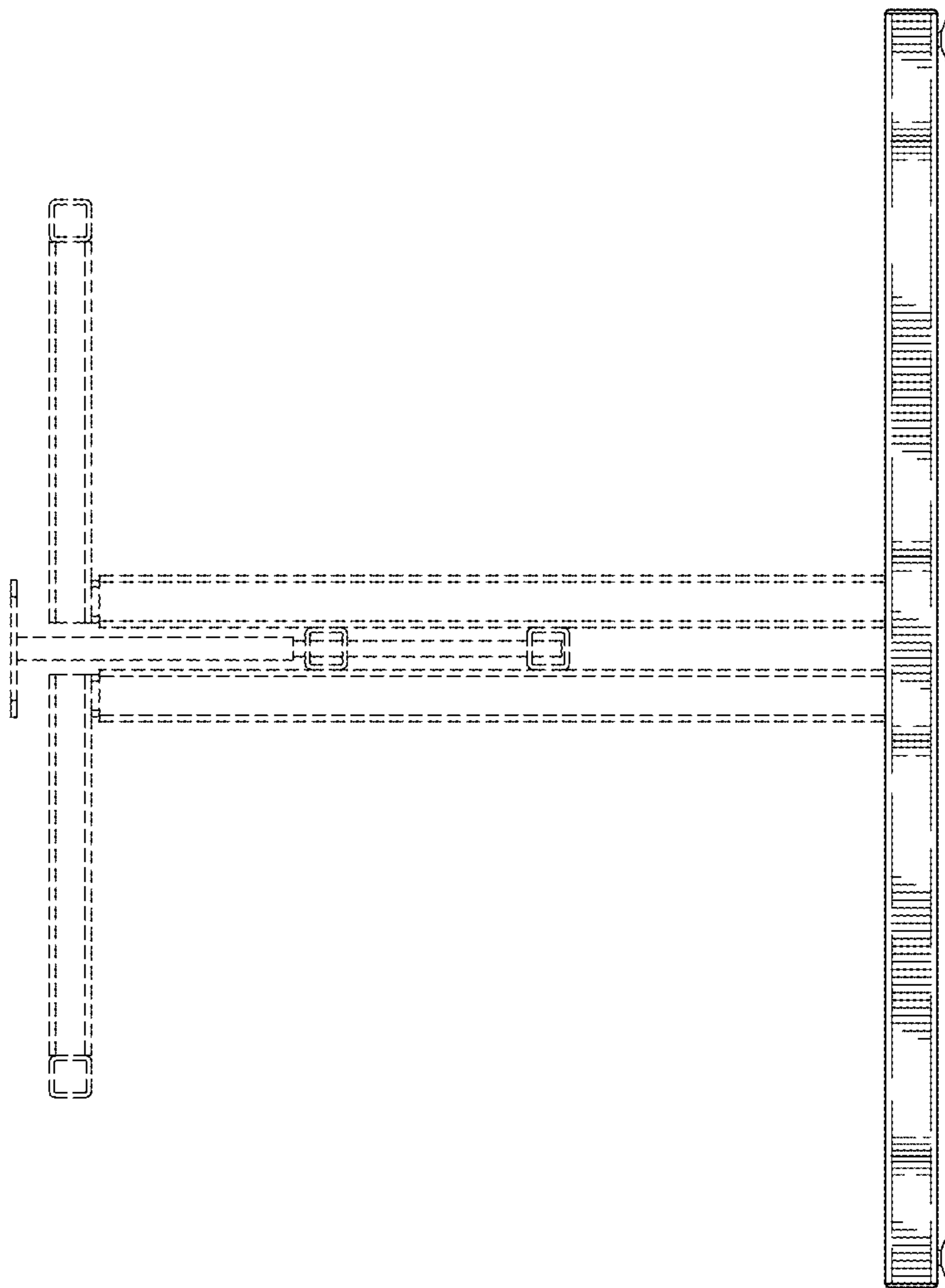
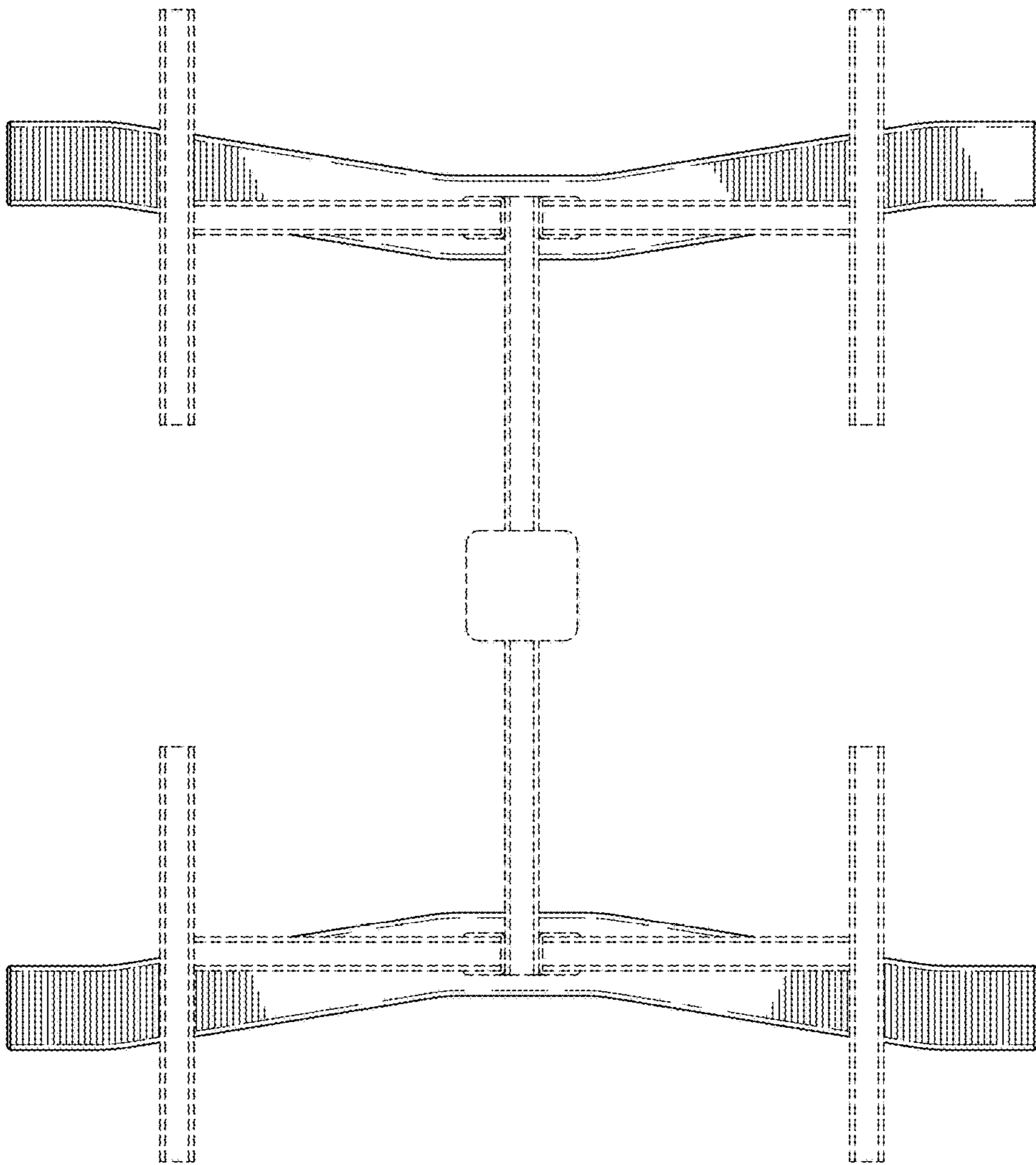


FIG. 8



B - 1311

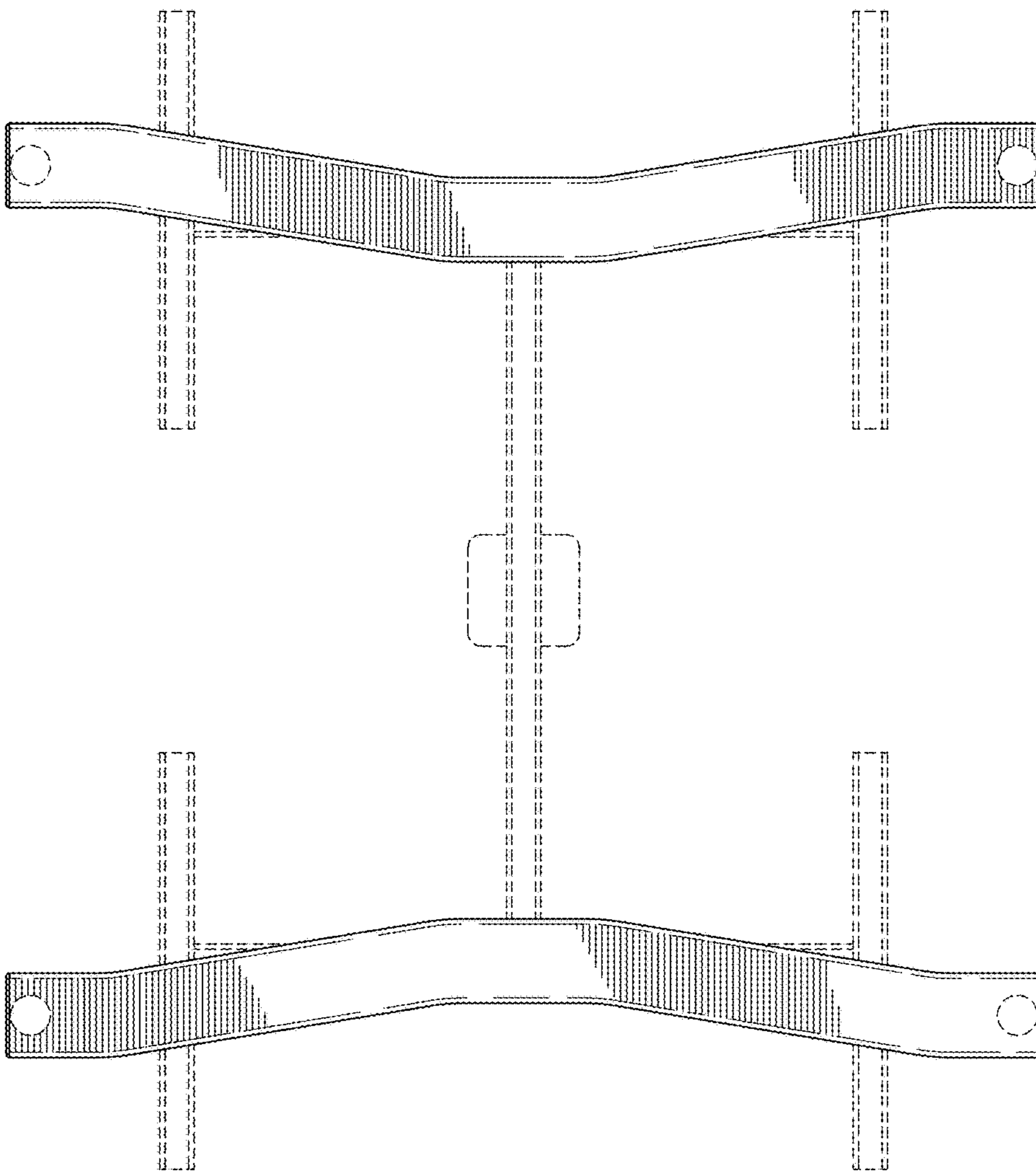


FIG. 10

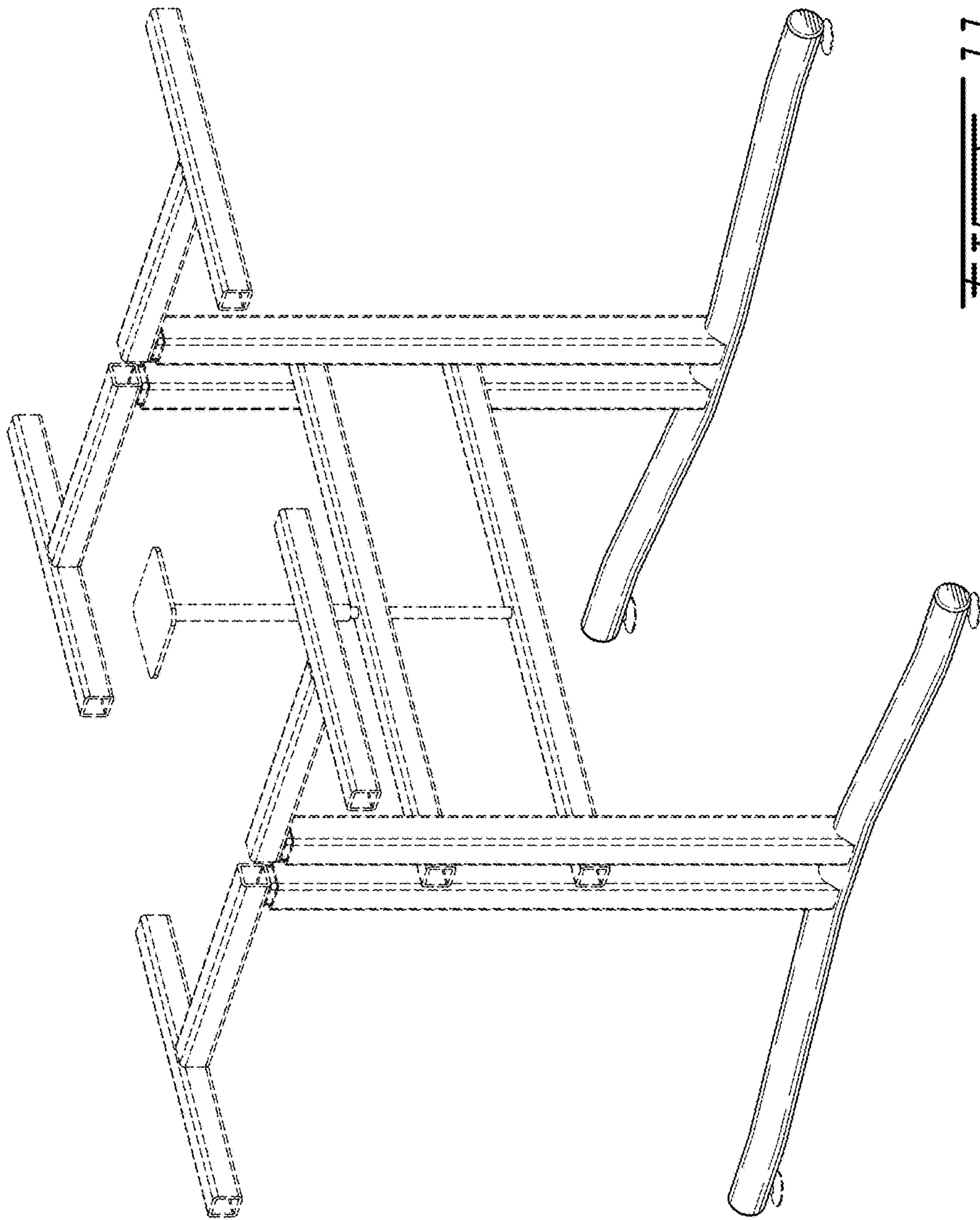


FIG. 11

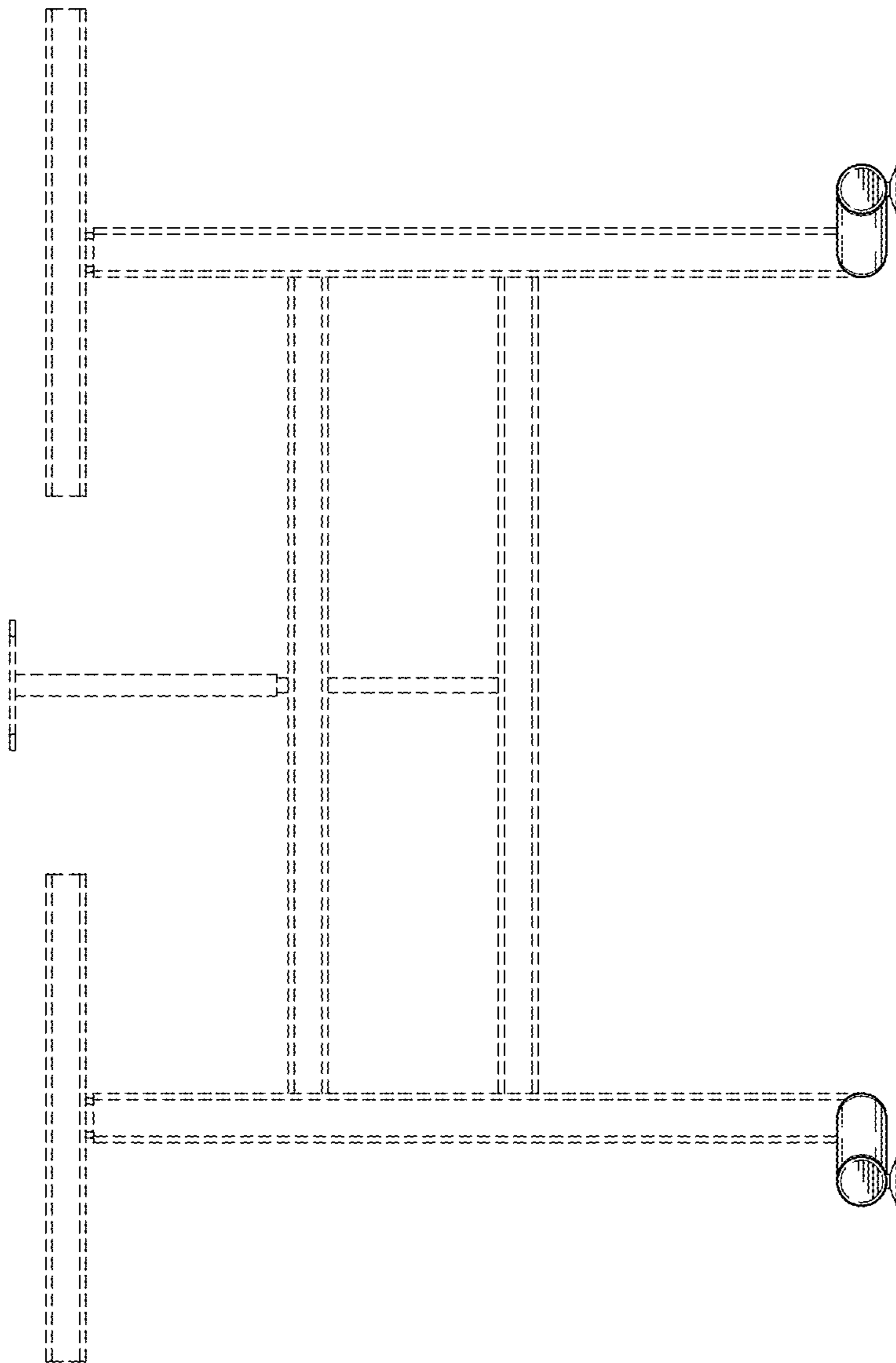


FIG. 12

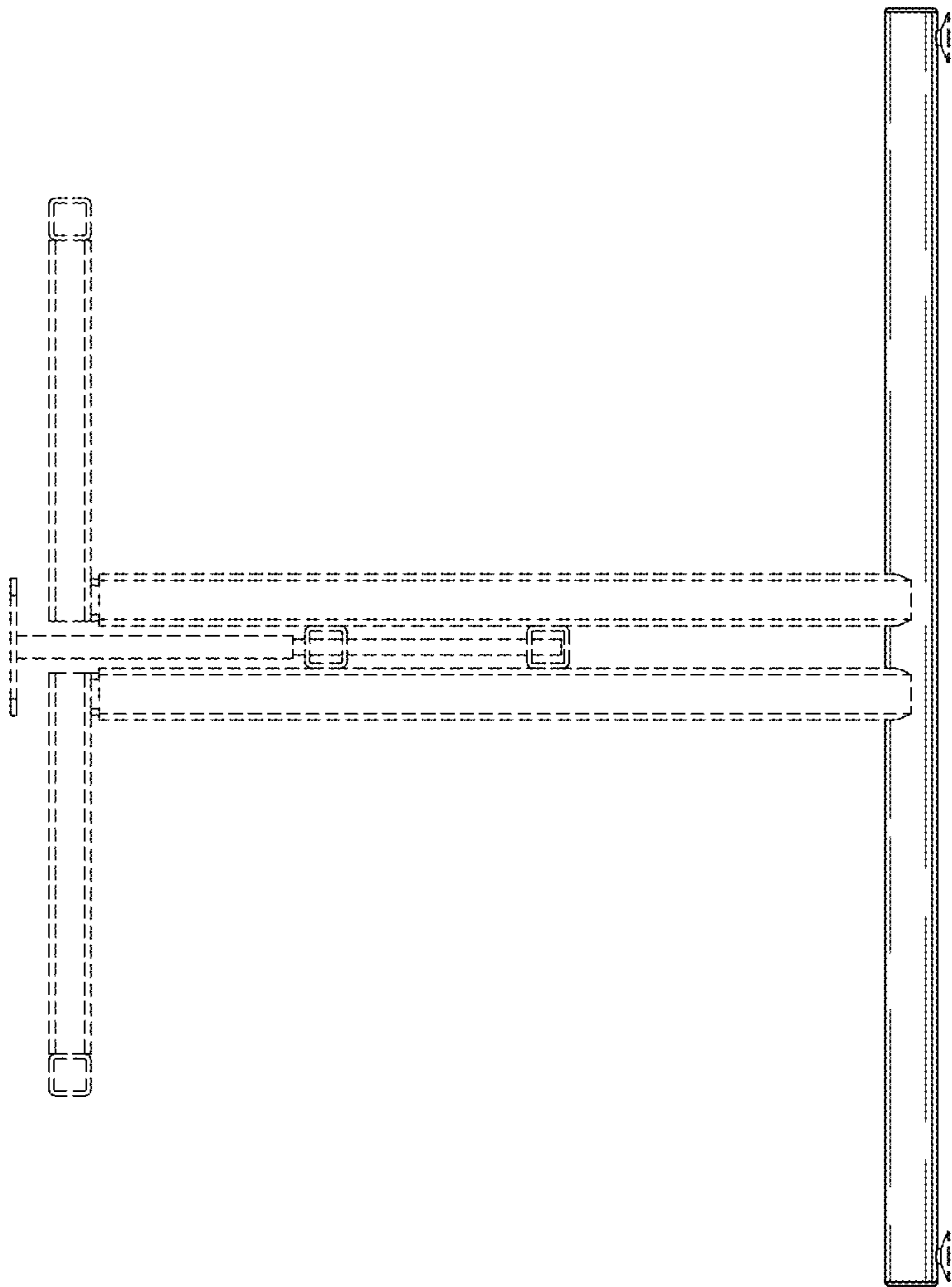


FIG. 13

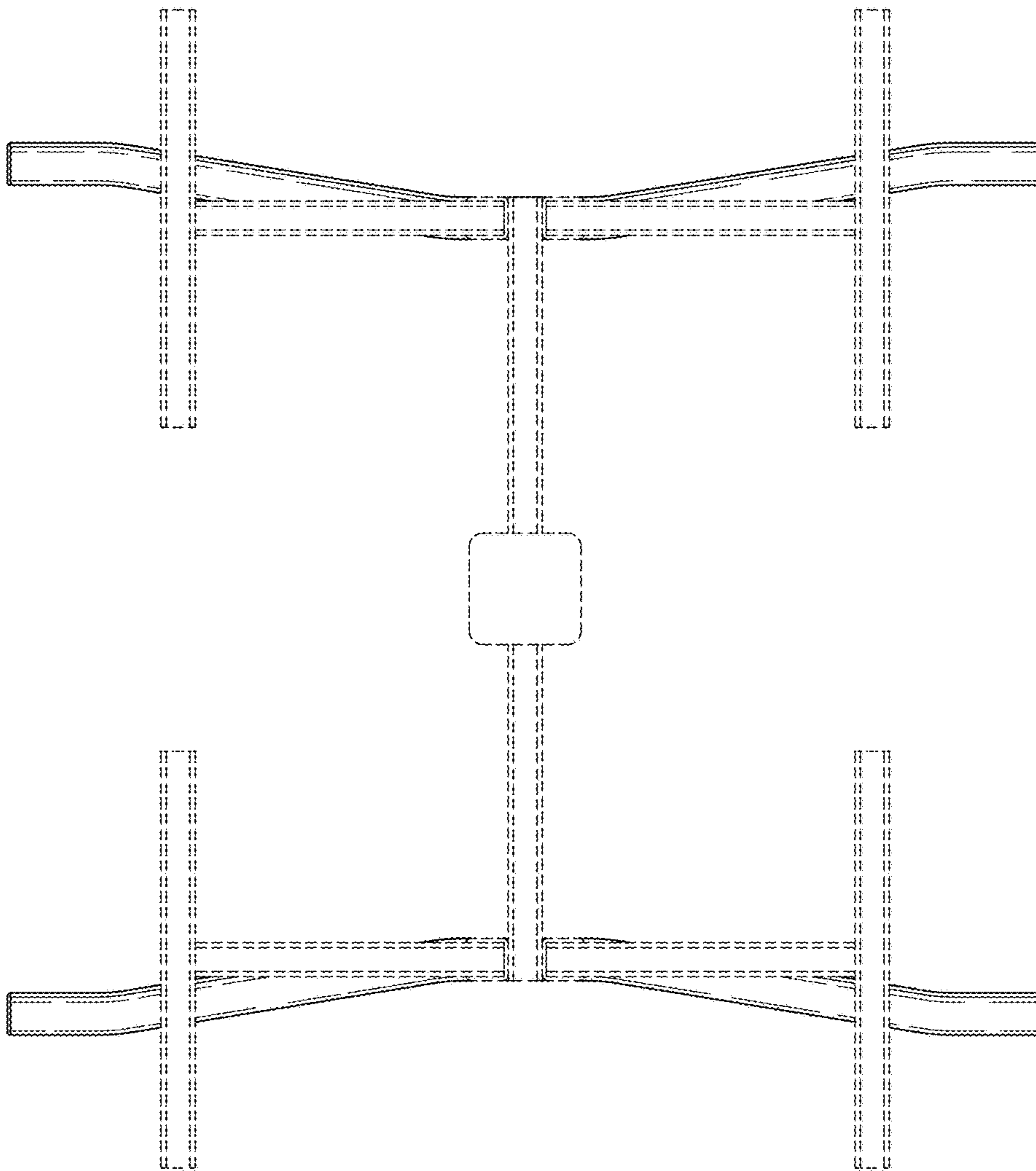


FIG. 14

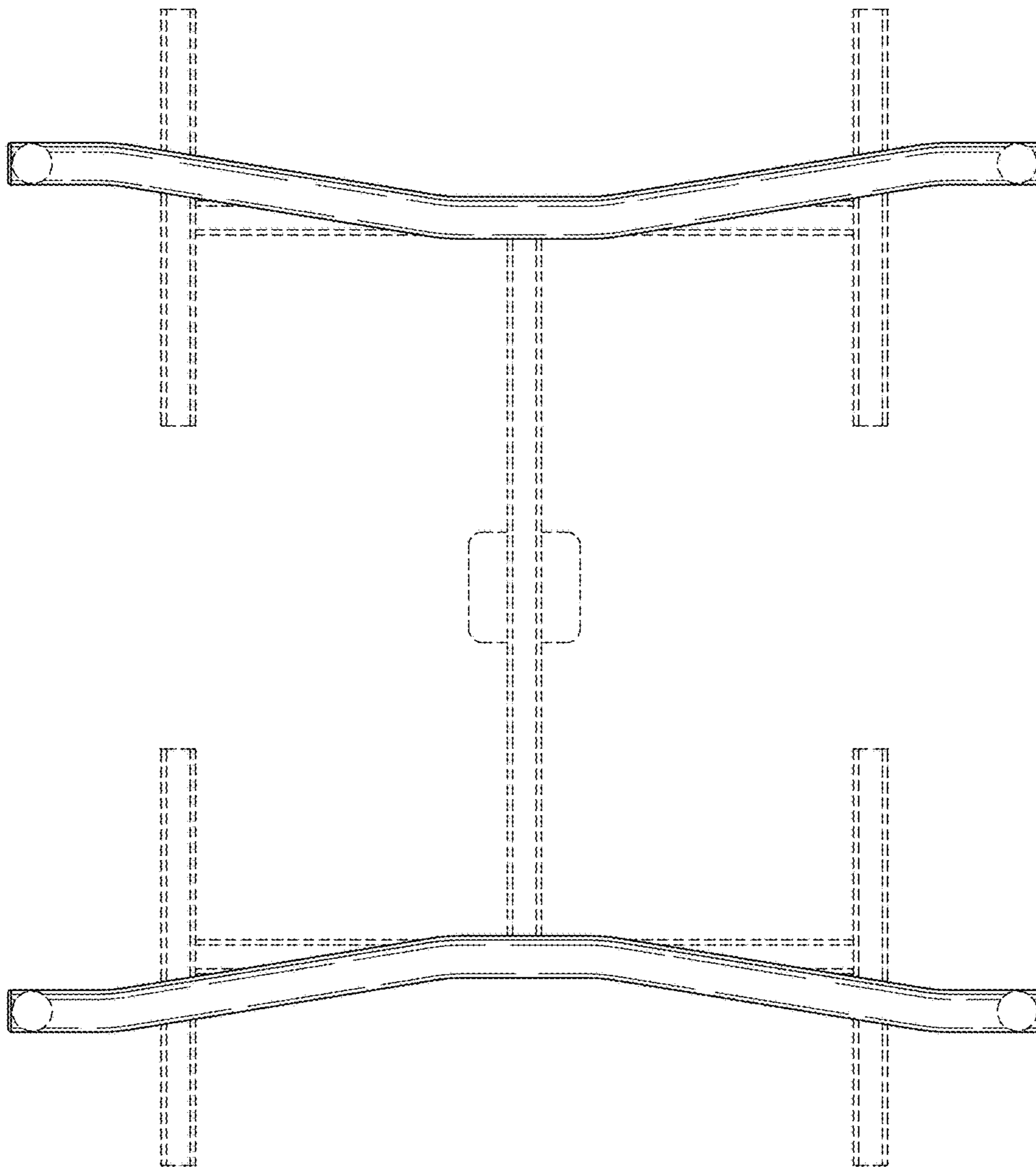


FIG. 15