



US00D847549S

(12) **United States Design Patent** (10) **Patent No.:** **US D847,549 S**
Abadie et al. (45) **Date of Patent:** **** May 7, 2019**

(54) **CHAIR PEDESTAL**
(71) Applicant: **Gary Platt Manufacturing, LLC,**
Reno, NV (US)

D333,733 S 3/1993 Sammons
D344,195 S 2/1994 Hare
D347,334 S 5/1994 Fewchuk
(Continued)

(72) Inventors: **Edmond E. Abadie,** Reno, NV (US);
Daniel J. Waller, Reno, NV (US)

OTHER PUBLICATIONS

(73) Assignee: **GARY PLATT MANUFACTURING,**
LLC, Reno, NV (US)

United States Patent and Trademark Office, "Notice of Allowance,"
issued in connection with U.S. Appl. No. 29/561,747, dated Aug. 15,
2018, 14 pages.

(**) Term: **15 Years**

(Continued)

(21) Appl. No.: **29/660,998**

Primary Examiner — George D. Kirschbaum
Assistant Examiner — Joseph J Kukella

(22) Filed: **Aug. 23, 2018**

(74) *Attorney, Agent, or Firm* — Hanley, Flight and
Zimmerman

Related U.S. Application Data

(62) Division of application No. 29/561,747, filed on Apr.
19, 2016, now Pat. No. Des. 829,458.

(57) **CLAIM**

The ornamental design for a chair pedestal, substantially as
shown and described.

(51) **LOC (11) Cl.** **06-06**

DESCRIPTION

(52) **U.S. Cl.**
USPC **D6/708.16**

(58) **Field of Classification Search**
USPC D6/334, 360, 374, 375, 380
CPC A47C 1/00; A47C 7/00; A47C 7/02; A47C
7/18; A47C 7/24; A47C 3/00; A47C
3/023; A47C 5/00; A47C 5/04; A47C
5/06; A47C 9/00; A47C 9/07; A47C
16/00; A47C 16/02

A portion of the disclosure of this patent document contains
material for which a claim for copyright is made. The
copyright owner has no objection to the facsimile reproduc-
tion by anyone of the patent document or the patent disclo-
sure, as it appears in the U.S. Patent and Trademark Office
patent file or records, but reserves all other copyrights
whatsoever.

See application file for complete search history.

FIG. 1 is an upper perspective view of an ornamental design
for a chair pedestal;
FIG. 2 is a right elevation view thereof;
FIG. 3 is a left elevation view thereof;
FIG. 4 is a front view thereof;
FIG. 5 is a rear view thereof;
FIG. 6 is a top view thereof; and,
FIG. 7 is a bottom view thereof.

(56) **References Cited**

U.S. PATENT DOCUMENTS

1,885,630 A * 11/1932 Ronan A47C 5/04
297/446.1
3,556,591 A * 1/1971 Smith A47C 16/02
297/270.5
3,907,363 A * 9/1975 Baker A47C 3/026
297/440.2
D315,836 S 4/1991 Kaiser

In the drawings, the broken lines depict portions of the
gaming chair that form no part of the claimed design.

1 Claim, 4 Drawing Sheets



(56)

References Cited

U.S. PATENT DOCUMENTS

5,542,748 A * 8/1996 Barile A47C 9/00
 248/500
 D411,699 S 6/1999 Bond et al.
 D421,187 S 2/2000 Kaiser
 D441,557 S 5/2001 Glass
 D477,926 S * 8/2003 Haney D6/370
 D502,013 S 2/2005 Kaiser
 D502,014 S 2/2005 Kaiser
 D507,893 S 8/2005 Glass et al.
 D517,357 S 3/2006 Gasser
 D520,768 S * 5/2006 Glass D6/374
 D541,069 S 4/2007 Peitz et al.
 D562,020 S 2/2008 Massaud
 D573,804 S 7/2008 Bartlmae
 D599,129 S 9/2009 Opsvik
 D603,616 S 11/2009 Kubryk
 D614,416 S 4/2010 Garzon
 7,832,799 B2 11/2010 Davis, Jr. et al.
 D656,328 S 3/2012 Samuel et al.
 D662,183 S 6/2012 Sieger

D663,974 S * 7/2012 Swy D6/708.16
 D679,512 S 4/2013 Lade
 D680,763 S 4/2013 Ouchi
 D681,353 S 5/2013 Lade
 D683,558 S 6/2013 Rada et al.
 D686,858 S 7/2013 Fletcher
 D701,054 S 3/2014 Lee
 D729,563 S 5/2015 Kubryk
 D743,180 S 11/2015 Mehaffey et al.
 2002/0053822 A1 5/2002 Ware et al.
 2005/0242651 A1 11/2005 Peitz et al.

OTHER PUBLICATIONS

NIGA Tradeshow & Convention, Phoenix, AZ, Mar. 24-27, 2013,
 Booth #945, retrieved from <http://www.icontact-archive.com/e7t1CYWWjUYQB-9KN9CTVTg7ILnQrvWK?w=1>, 2 pages.
 The Lido Revolutionizes Casino Sealing Your Casino Insider, Oct.
 10, 2014, retrieved from <https://exclusivelycasinos.wordpress.com/2014/10/10/lidox2series/>, 1 page.

* cited by examiner

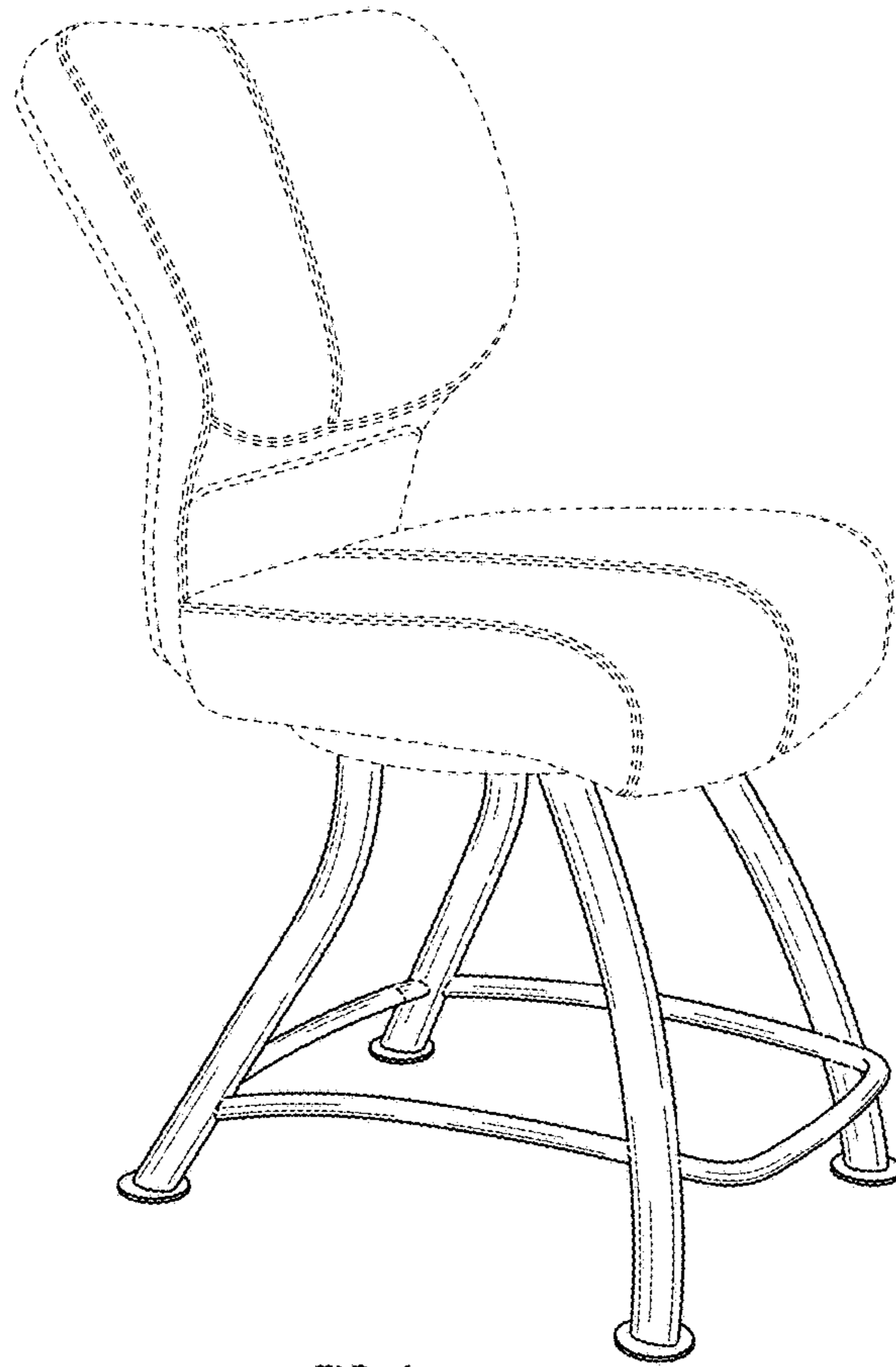


FIG. 1

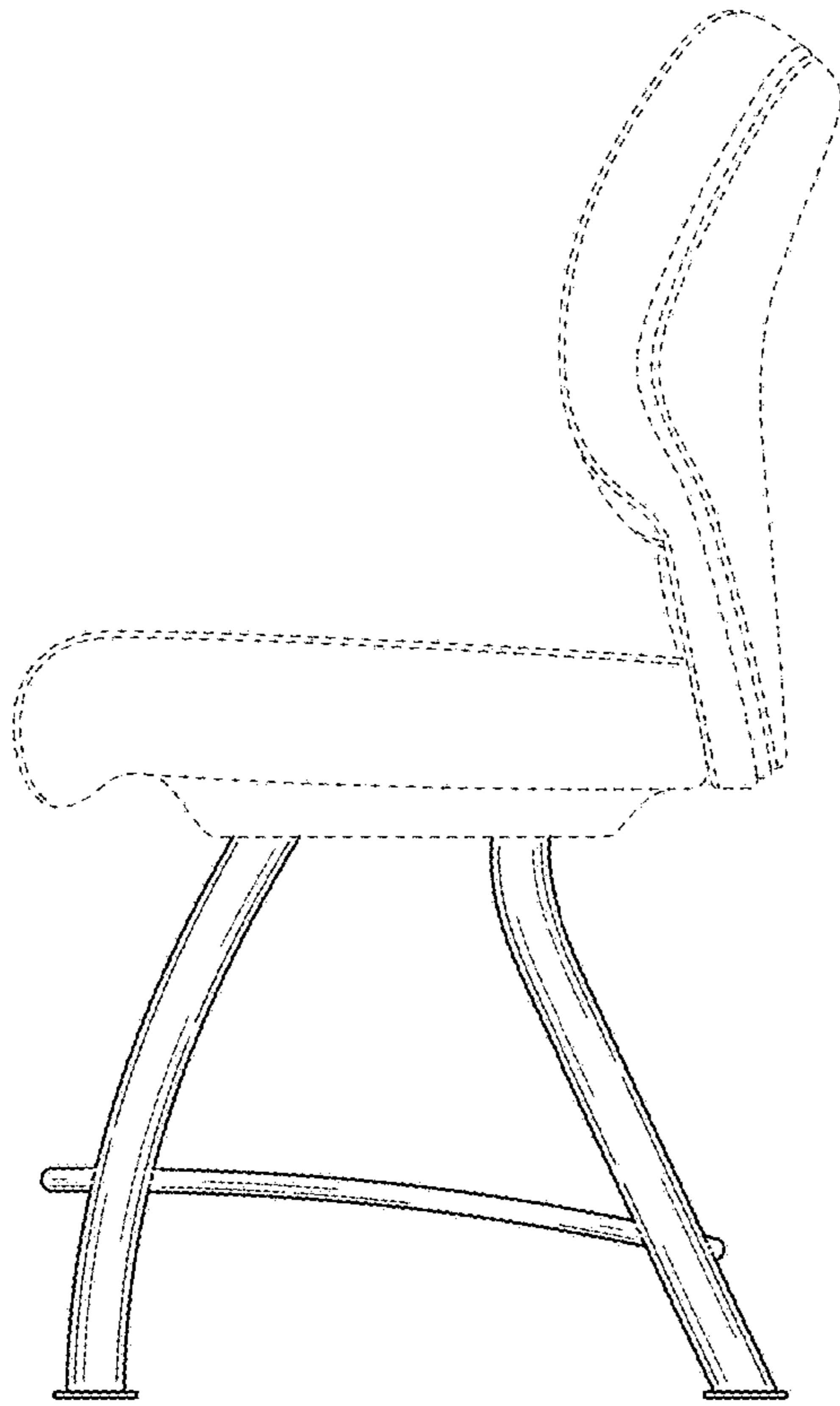


FIG. 2

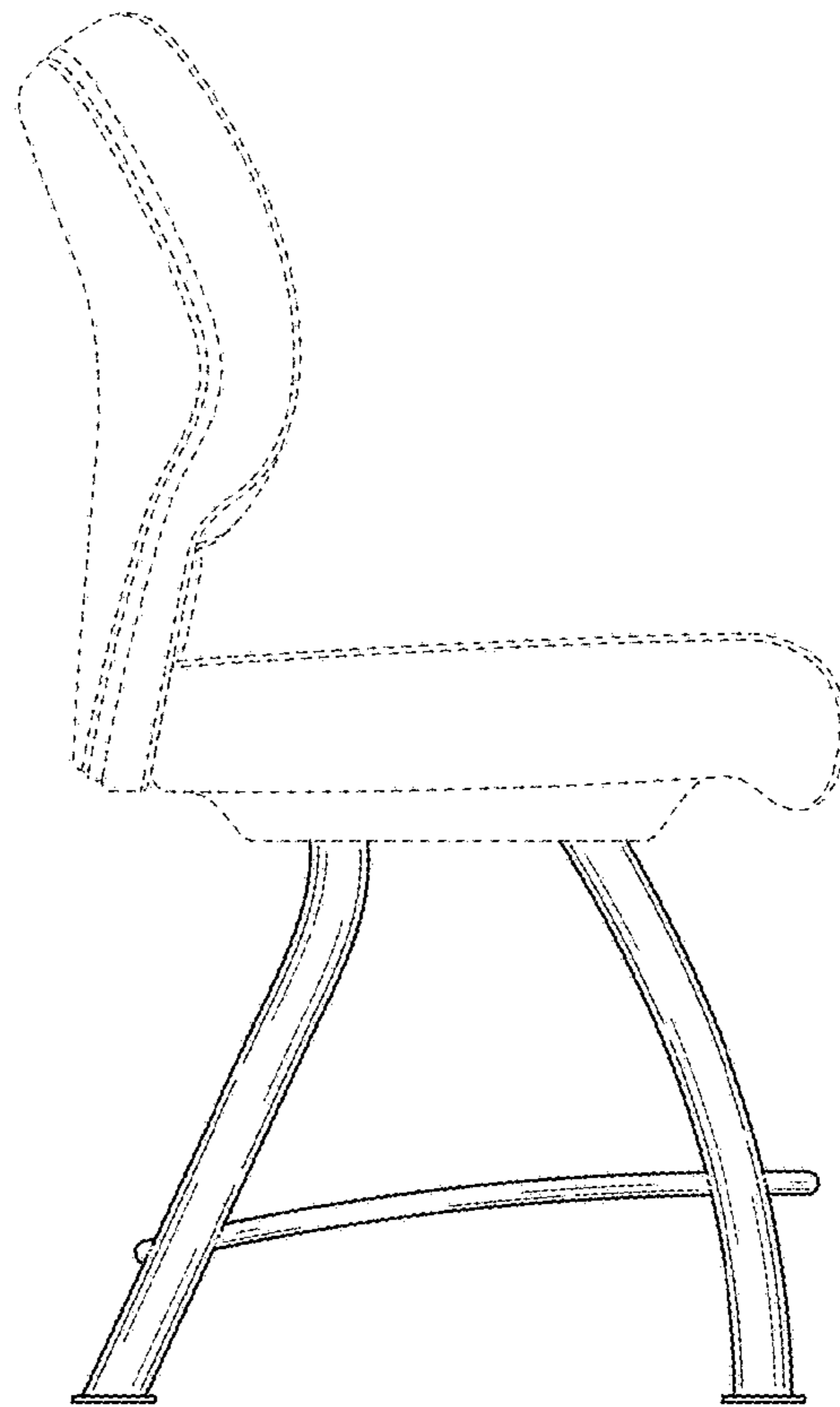


FIG. 3

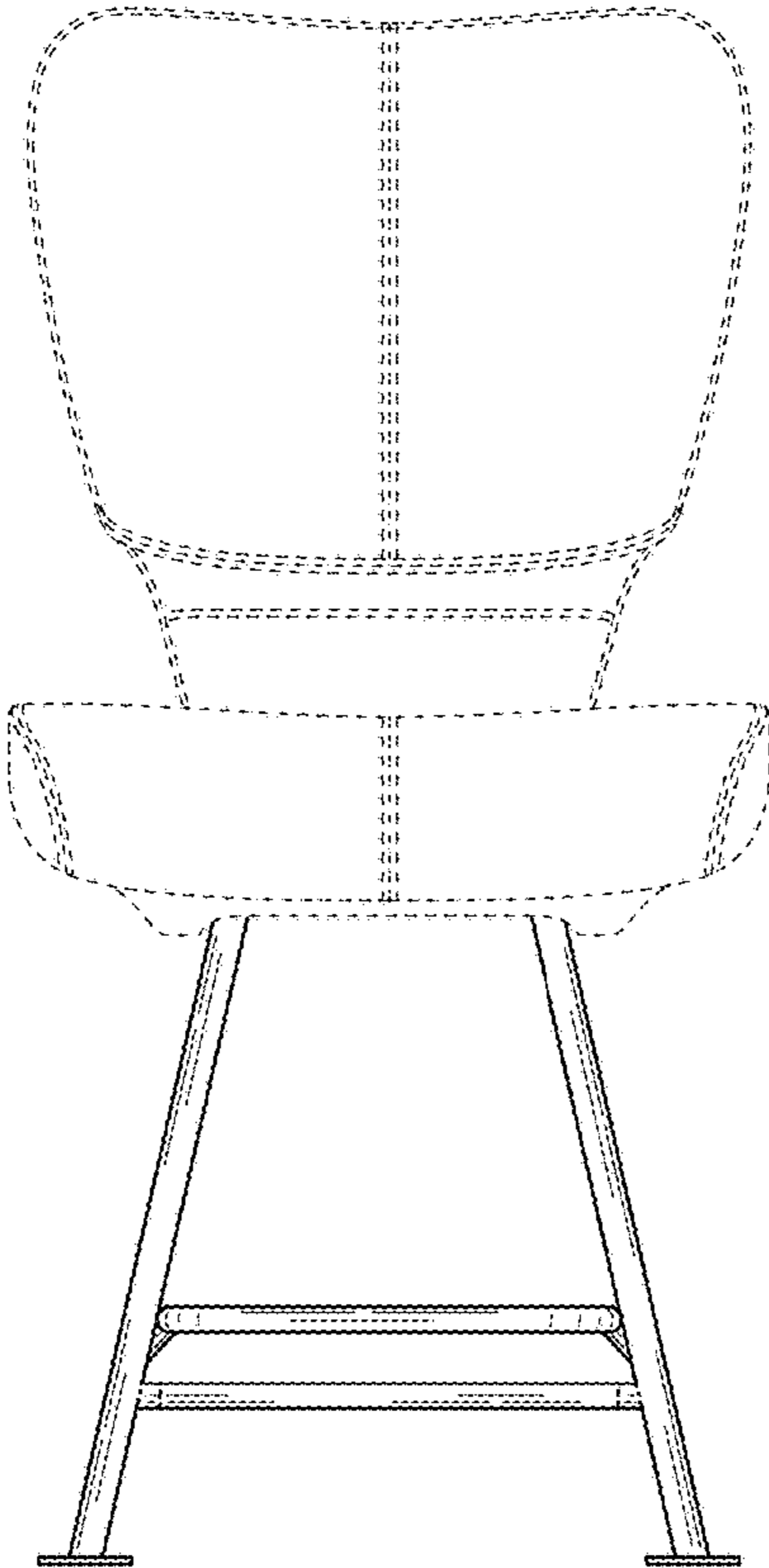


FIG. 4

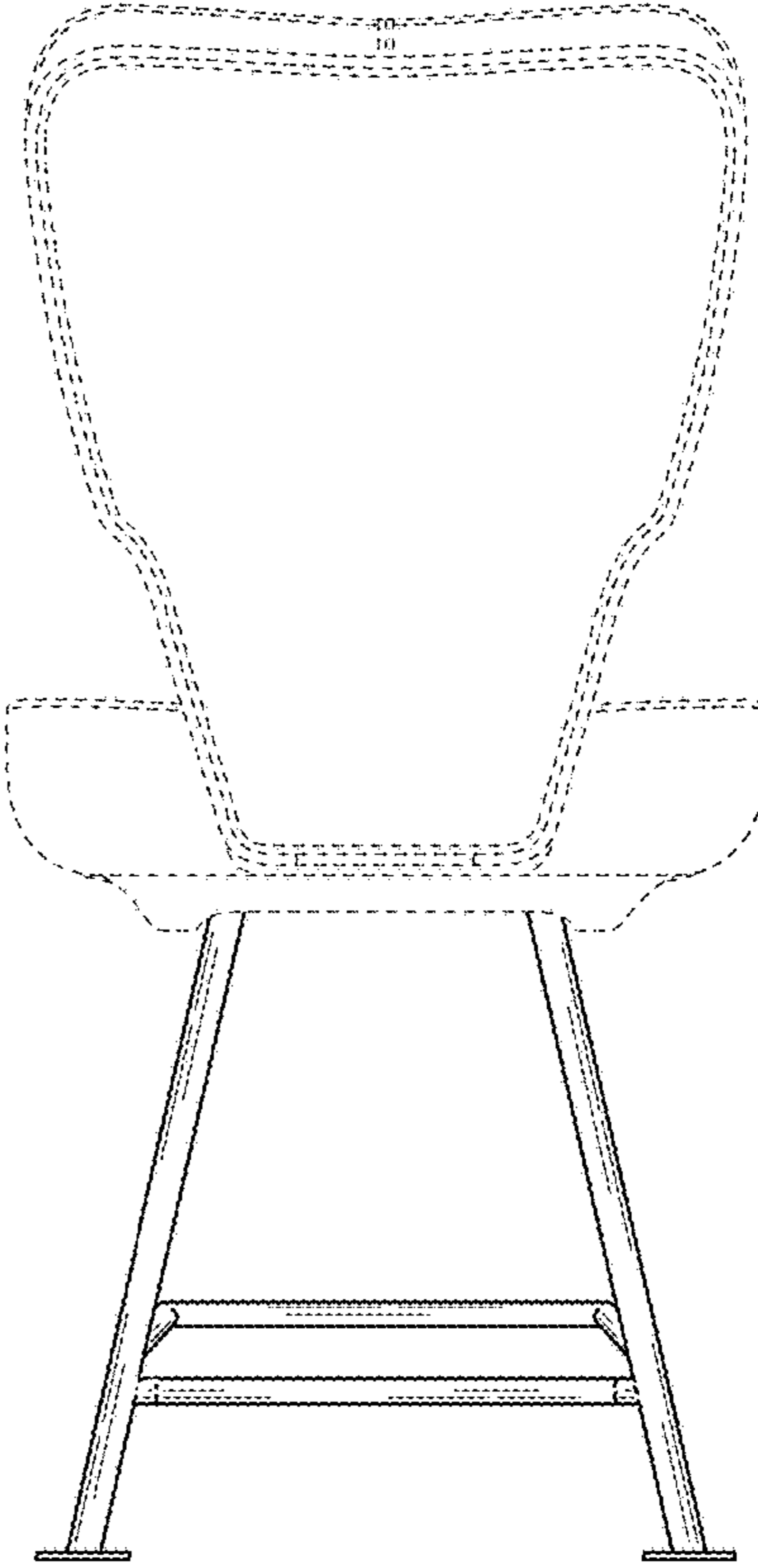


FIG. 5

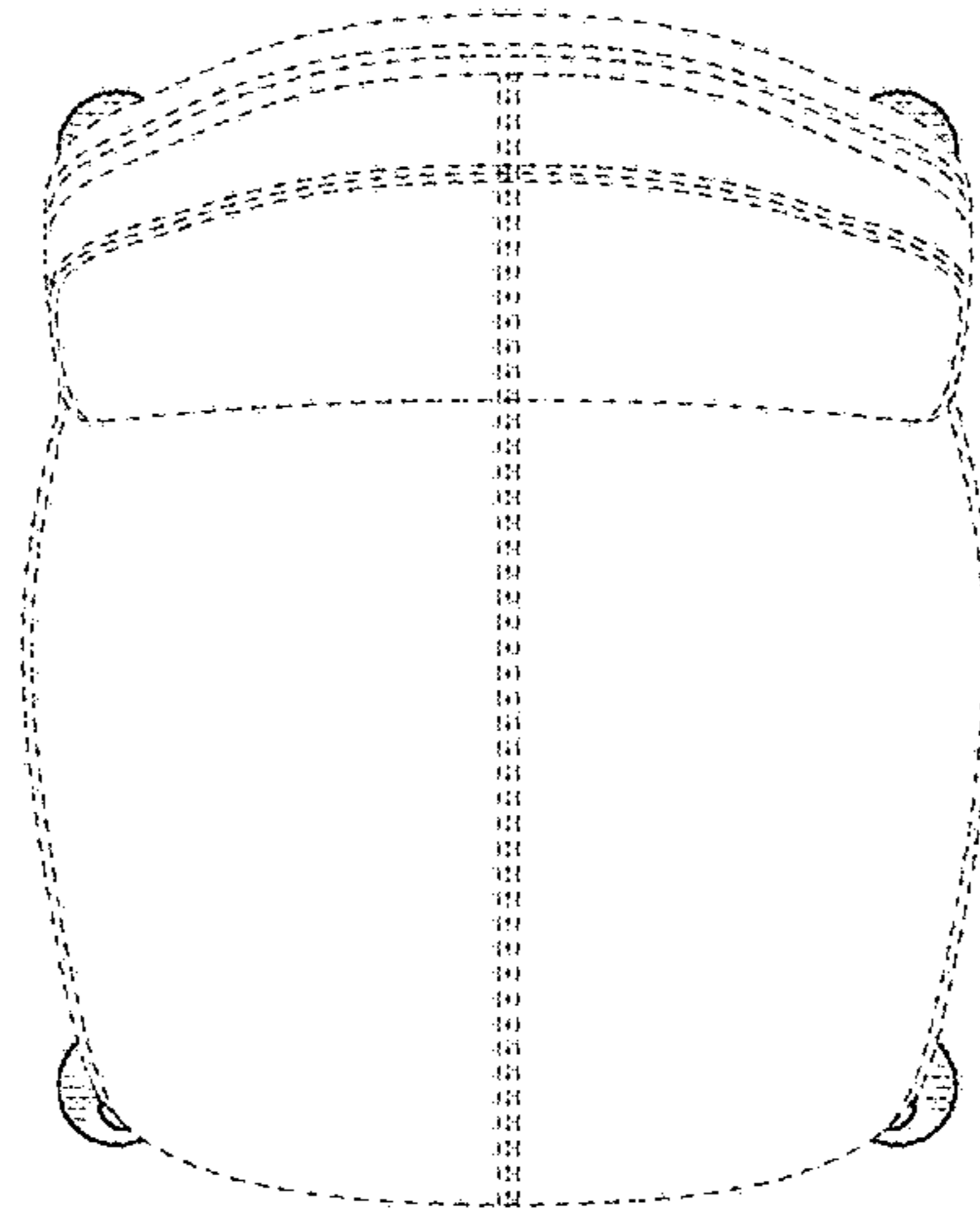


FIG. 6

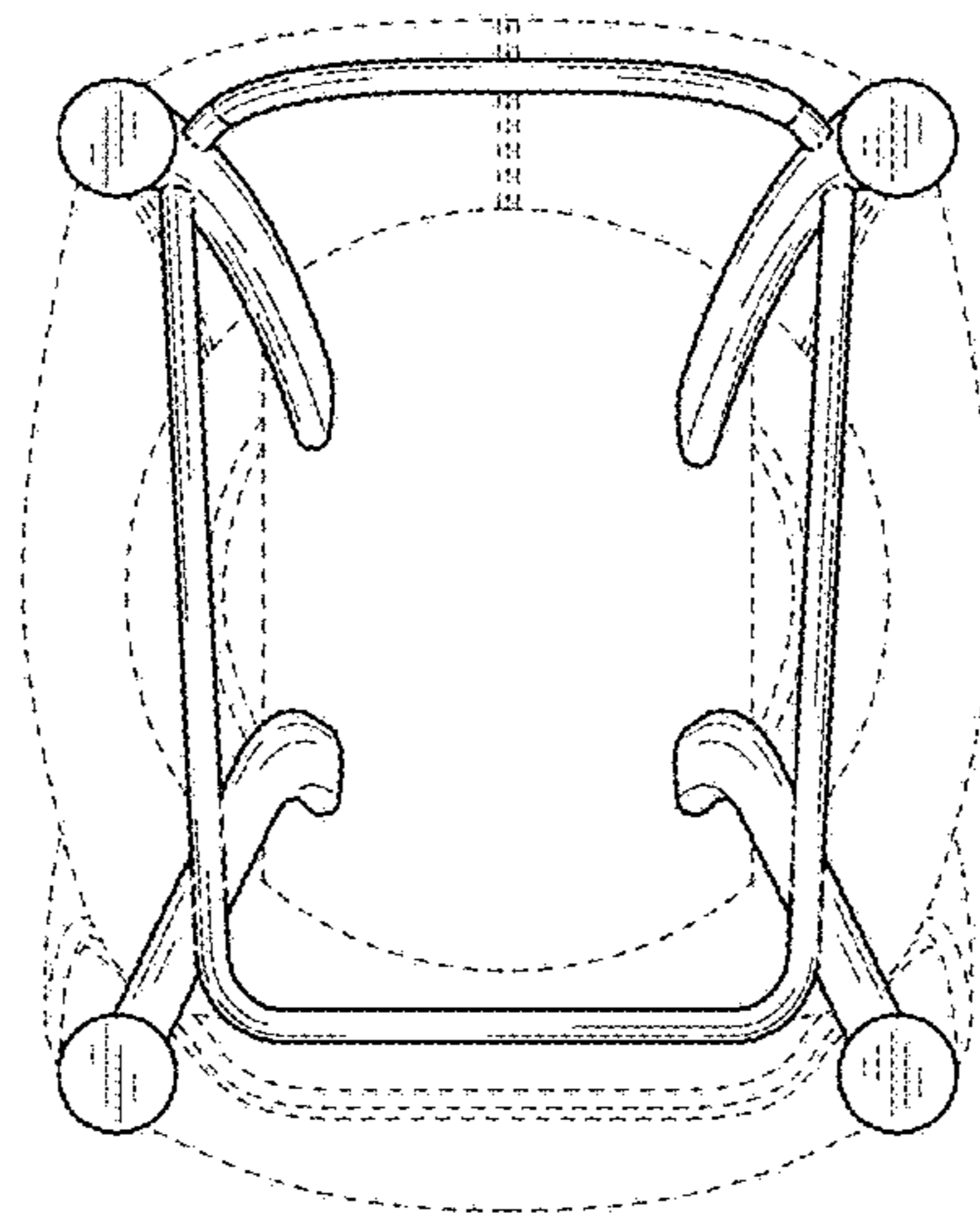


FIG. 7