



US00D847541S

(12) **United States Design Patent**
Yamamoto

(10) **Patent No.:** **US D847,541 S**

(45) **Date of Patent:** **** May 7, 2019**

- (54) **DESK**
- (71) Applicant: **Okamura Corporation**, Yokohama-shi, Kanagawa (JP)
- (72) Inventor: **Takayuki Yamamoto**, Yokohama (JP)
- (73) Assignee: **Okamura Corporation**, Yokohama-shi, Kanagawa (JP)

- (**) Term: **15 Years**
- (21) Appl. No.: **29/599,422**
- (22) Filed: **Apr. 3, 2017**

(30) **Foreign Application Priority Data**

- Oct. 6, 2016 (JP) 2016-021853
- (51) **LOC (11) Cl.** **06-03**
- (52) **U.S. Cl.**
USPC **D6/656; D6/656.16**
- (58) **Field of Classification Search**
USPC D6/641, 656, 698, 708, 656.16, 656.17;
D14/356, 347, 126, 362, 371
CPC A47B 9/00; A47B 9/02; A47B 9/12; A47B
9/16; A47B 9/18; A47B 9/20; A47B
21/00; A47B 21/02; A47B 21/03
See application file for complete search history.

(56) **References Cited**

U.S. PATENT DOCUMENTS

- D744,436 S * 12/2015 Lee D14/126
- D776,961 S * 1/2017 Yamamoto D6/656.16
- D794,359 S * 8/2017 Yamamoto D6/656
- 2005/0016806 A1 * 1/2005 Klinke A47B 9/20
188/371
- 2012/0126072 A1 * 5/2012 Petterson A47B 9/04
248/157
- 2014/0336822 A1 * 11/2014 Kristensen G05B 15/02
700/275

- 2015/0320198 A1 * 11/2015 Zebarjad A47B 9/00
108/147
 - 2016/0106205 A1 * 4/2016 Hall A47B 9/00
700/275
 - 2016/0231731 A1 * 8/2016 Carver A47B 21/00
 - 2017/0000255 A1 * 1/2017 Herring A47B 9/00
- (Continued)

OTHER PUBLICATIONS

Standing Desk Control Switch, posted at Youtube.com, posted on Jan. 6, 2015, site visited Jul. 12, 2018. online, available from internet: <https://www.youtube.com/watch?v=TjR9xfv2IL4>.*

(Continued)

Primary Examiner — Mary Ann Calabrese
Assistant Examiner — Catherine Ho
(74) *Attorney, Agent, or Firm* — Banner & Witcoff, Ltd.

(57) **CLAIM**

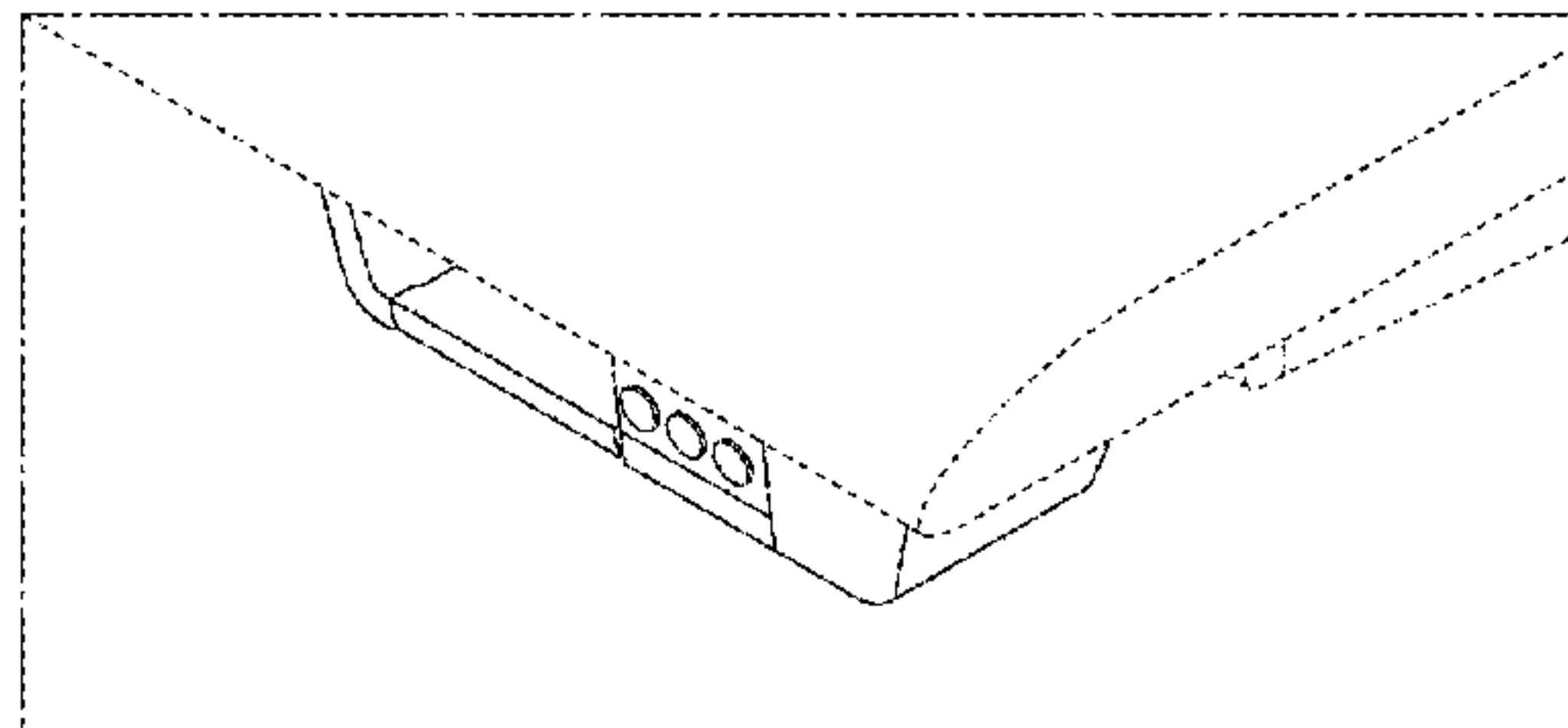
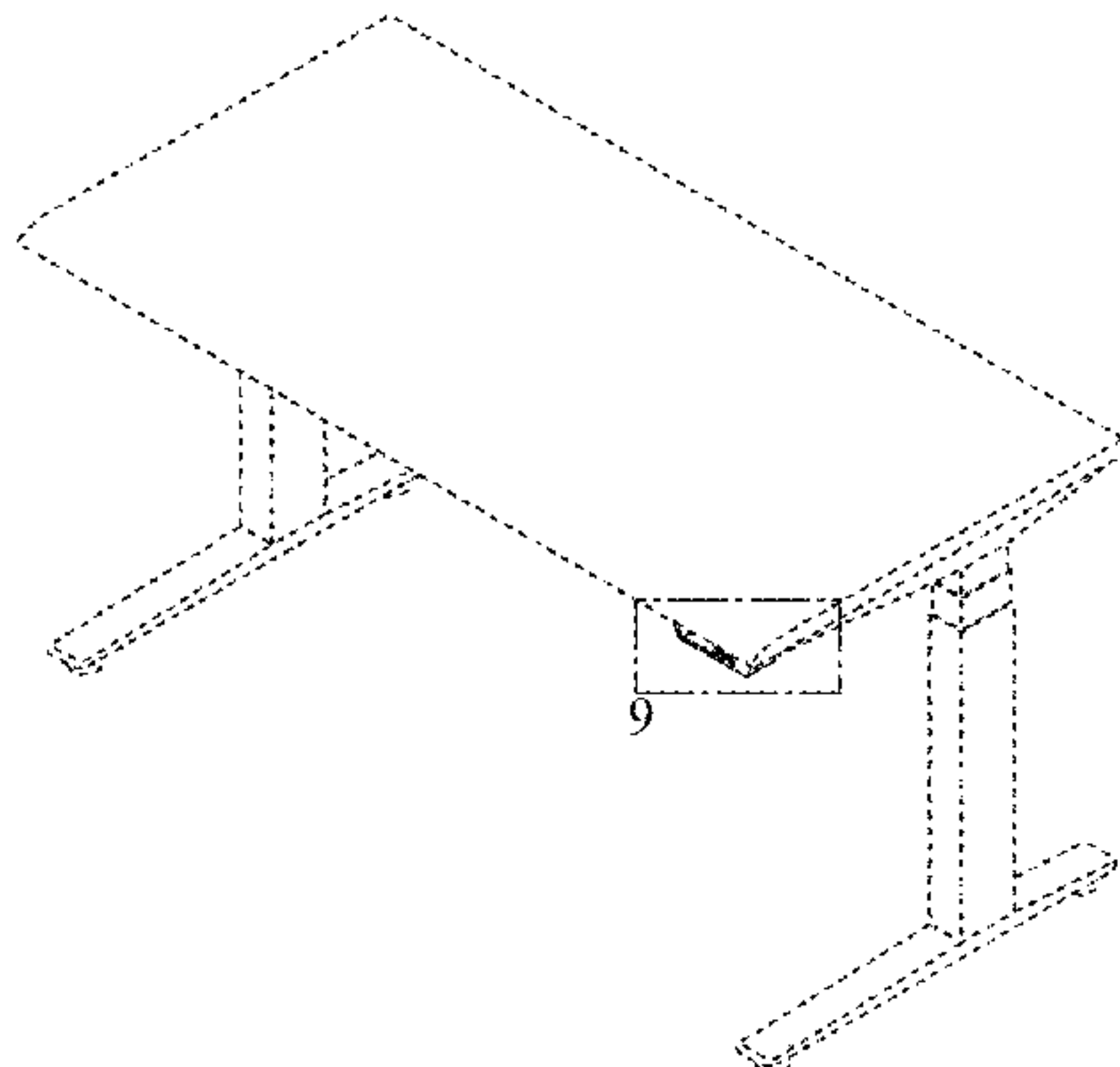
The ornamental design for a desk, as shown and described.

DESCRIPTION

FIG. 1 is a perspective view of a desk showing my new design;
 FIG. 2 is a front view thereof;
 FIG. 3 is a rear view thereof;
 FIG. 4 is a right side view thereof, the left side view thereof being a mirror image;
 FIG. 5 is a top view thereof;
 FIG. 6 is a bottom view thereof;
 FIG. 7 is a cross sectional view thereof taken along line 7-7 in FIG. 2, where the internal mechanism is omitted;
 FIG. 8 is an enlarged view of the portion indicated by line 8 in FIG. 7; and,
 FIG. 9 is an enlarged view of the portion indicated by line 9 in FIG. 1.

The broken lines in figures are for the purpose of illustrating portions of the desk and form no part of the claimed design.

1 Claim, 5 Drawing Sheets



(56)

References Cited

U.S. PATENT DOCUMENTS

2017/0224102 A1* 8/2017 Randolph A47B 21/02
2017/0224109 A1* 8/2017 Gammon A47B 87/002
2018/0000240 A1* 1/2018 Yamamoto A47B 9/20

OTHER PUBLICATIONS

How to set the height of your desk, posted at Youtube.com, posted on May 23, 2012, site visited Jul. 12, 2018. online, available from internet: <https://www.youtube.com/watch?v=lwiCz15h54w>.*

Autonomous Standing Desk, posted at Youtube.com, posted on Aug. 30, 2016, site visited Jul. 12, 2018. online, available from internet: <https://www.youtube.com/watch?v=o2hA6GMzblc>.*

* cited by examiner

FIG. 1

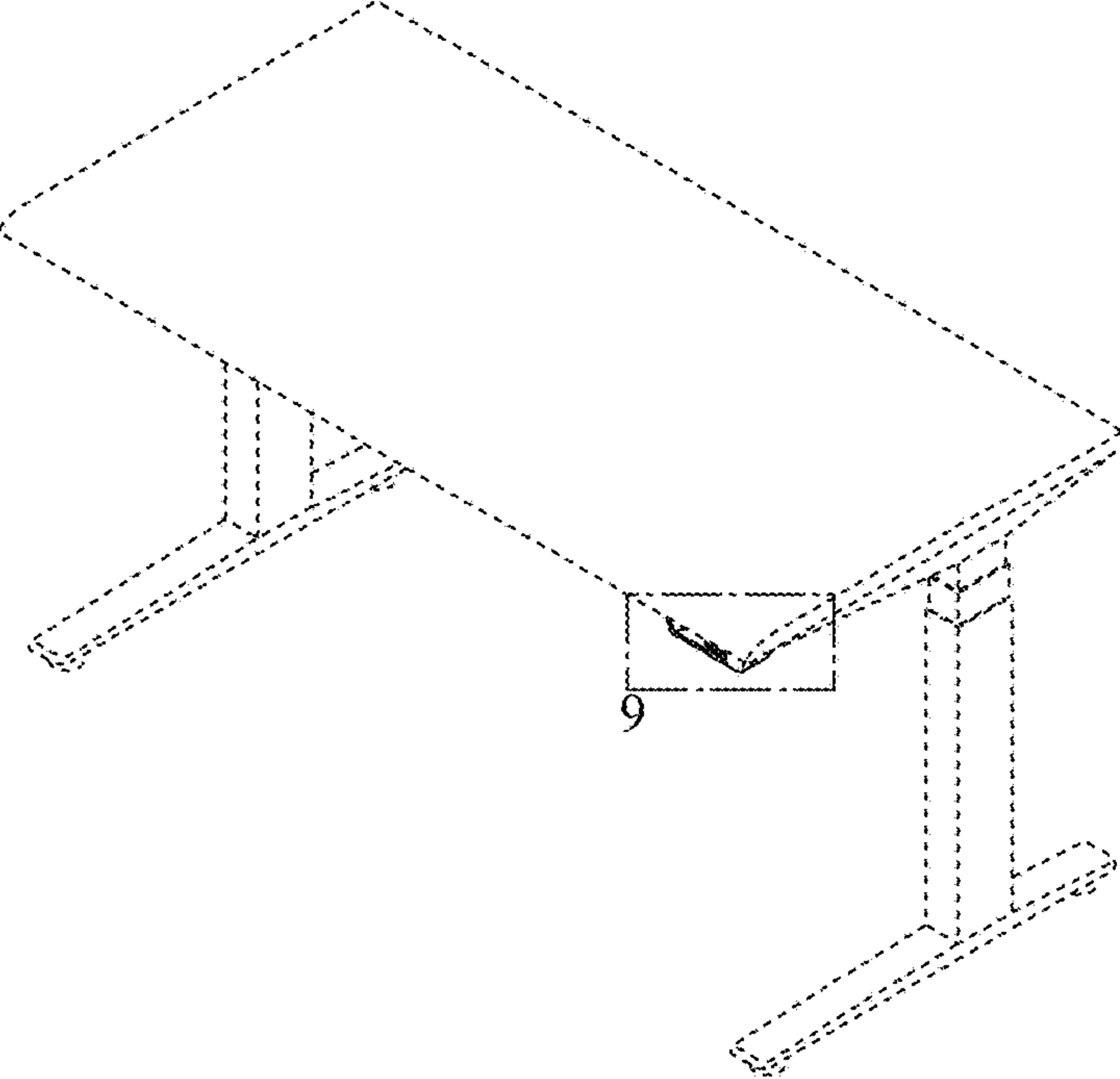


FIG. 2

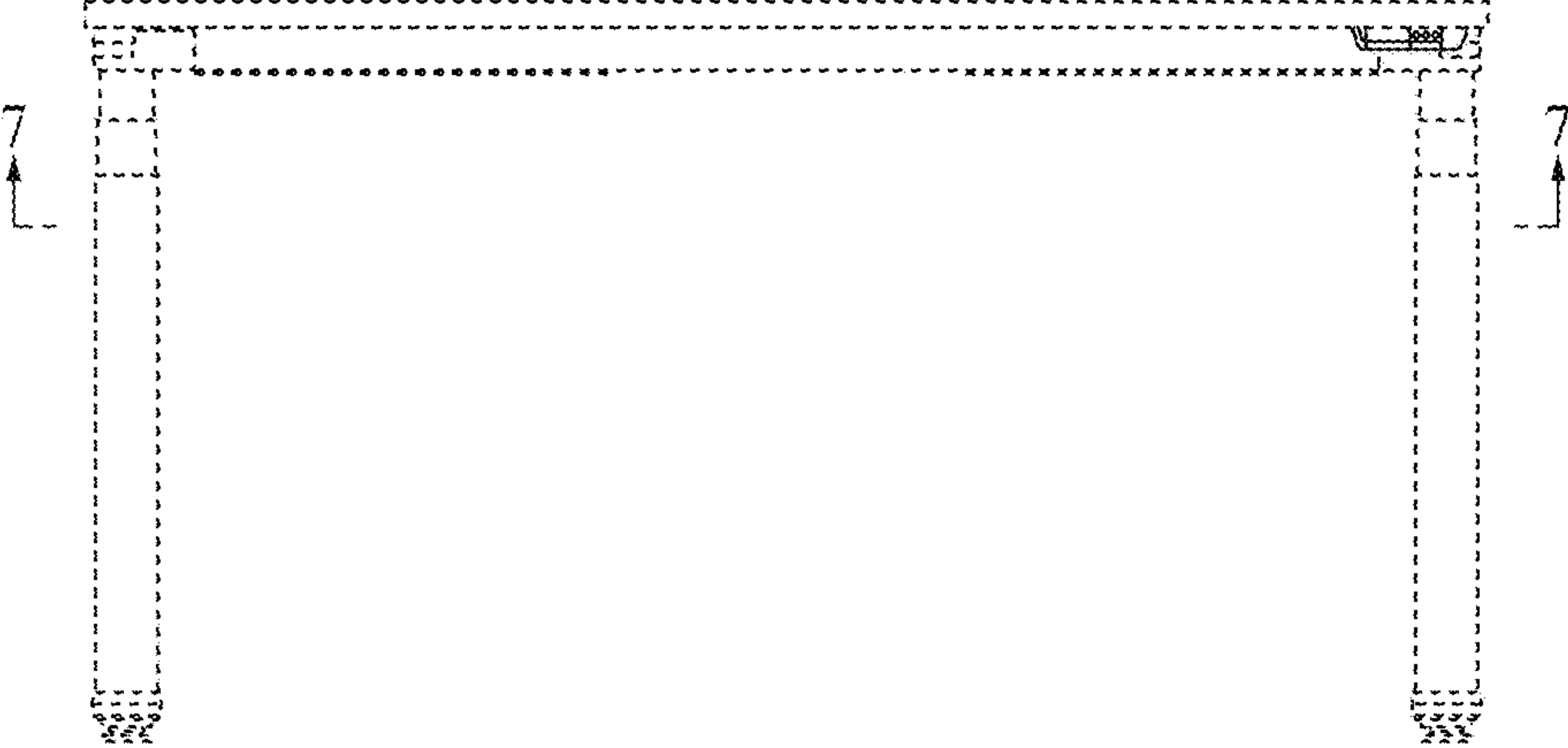


FIG. 3

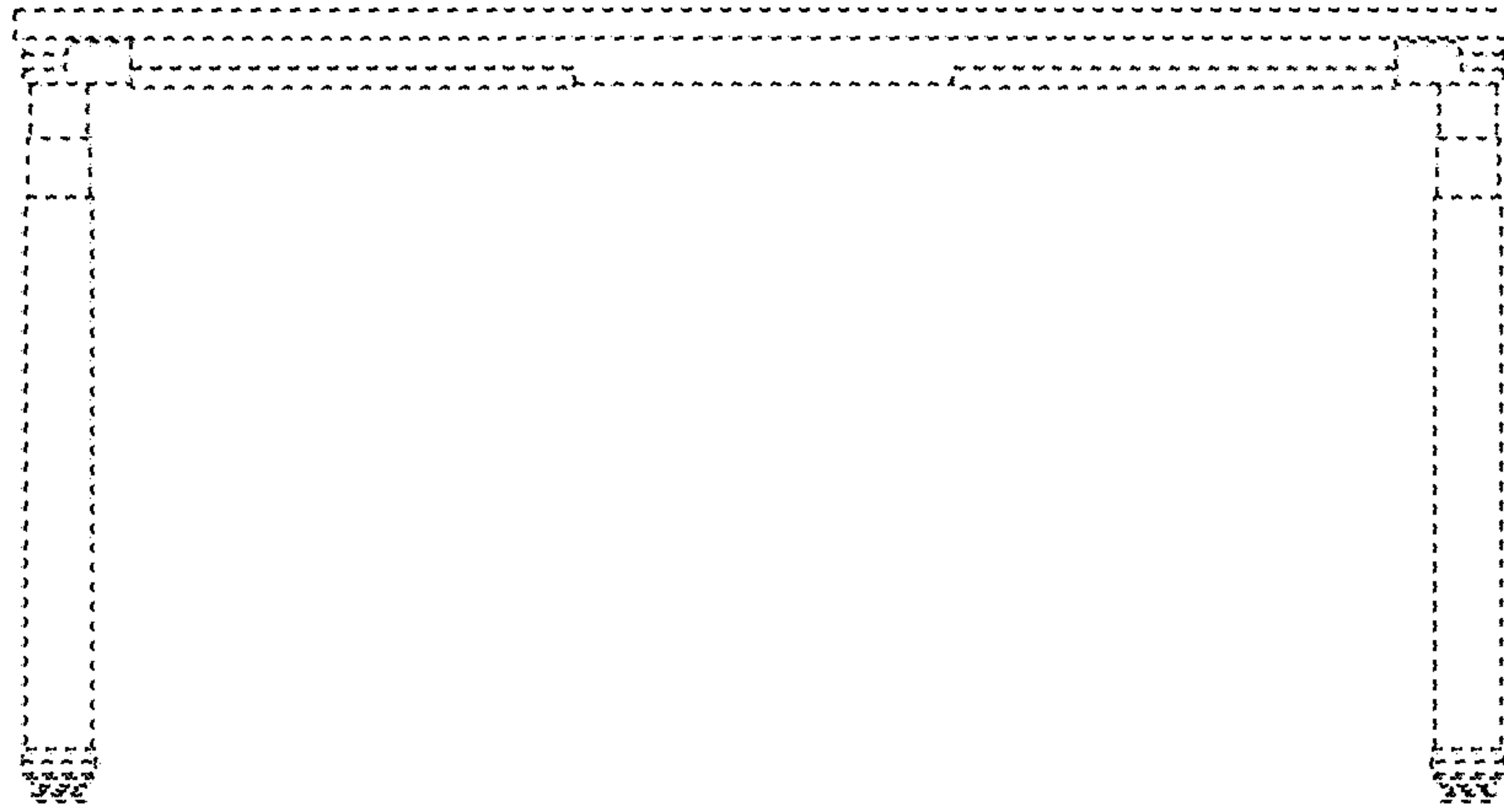


FIG. 4

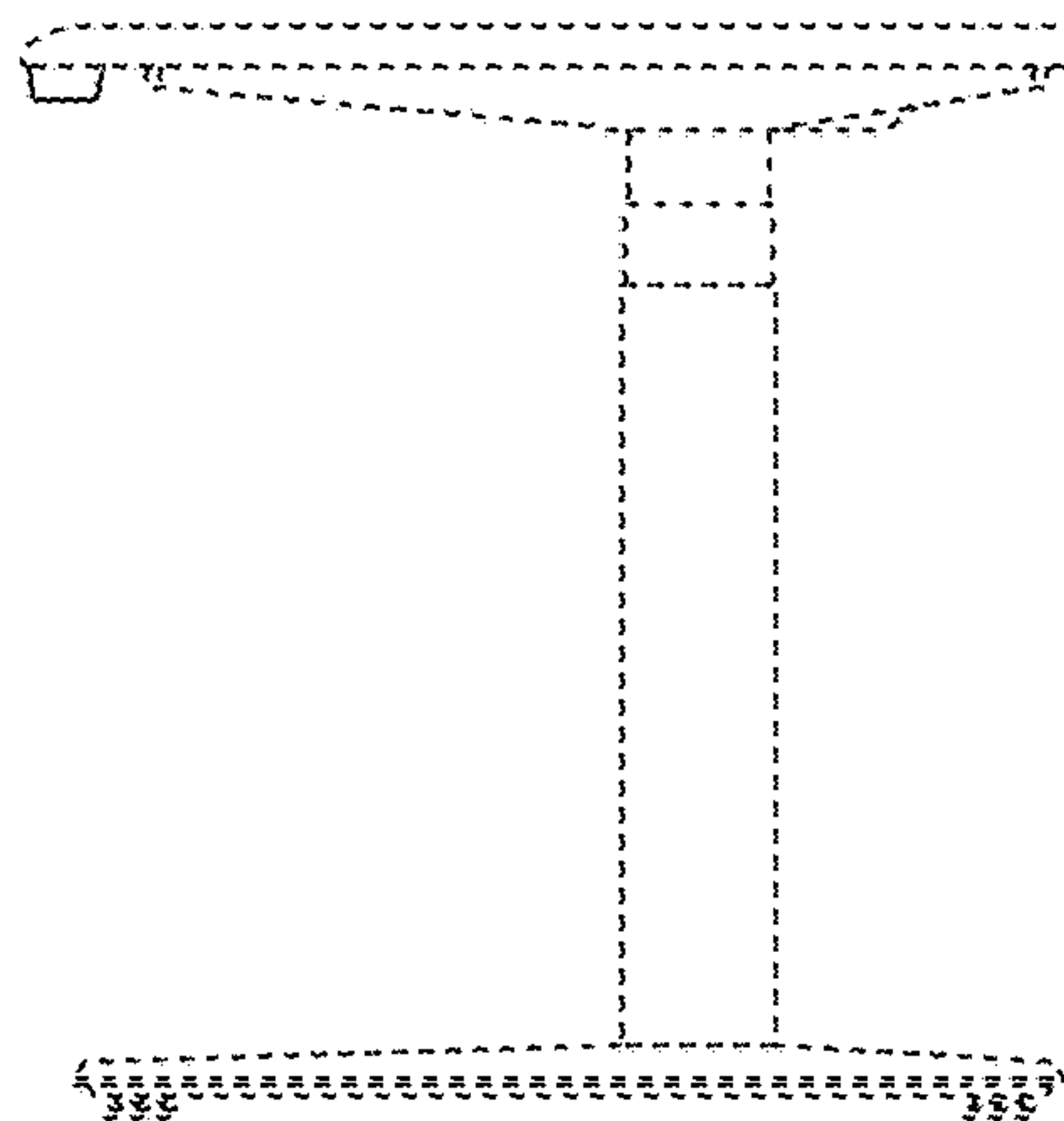


FIG. 5



FIG. 6

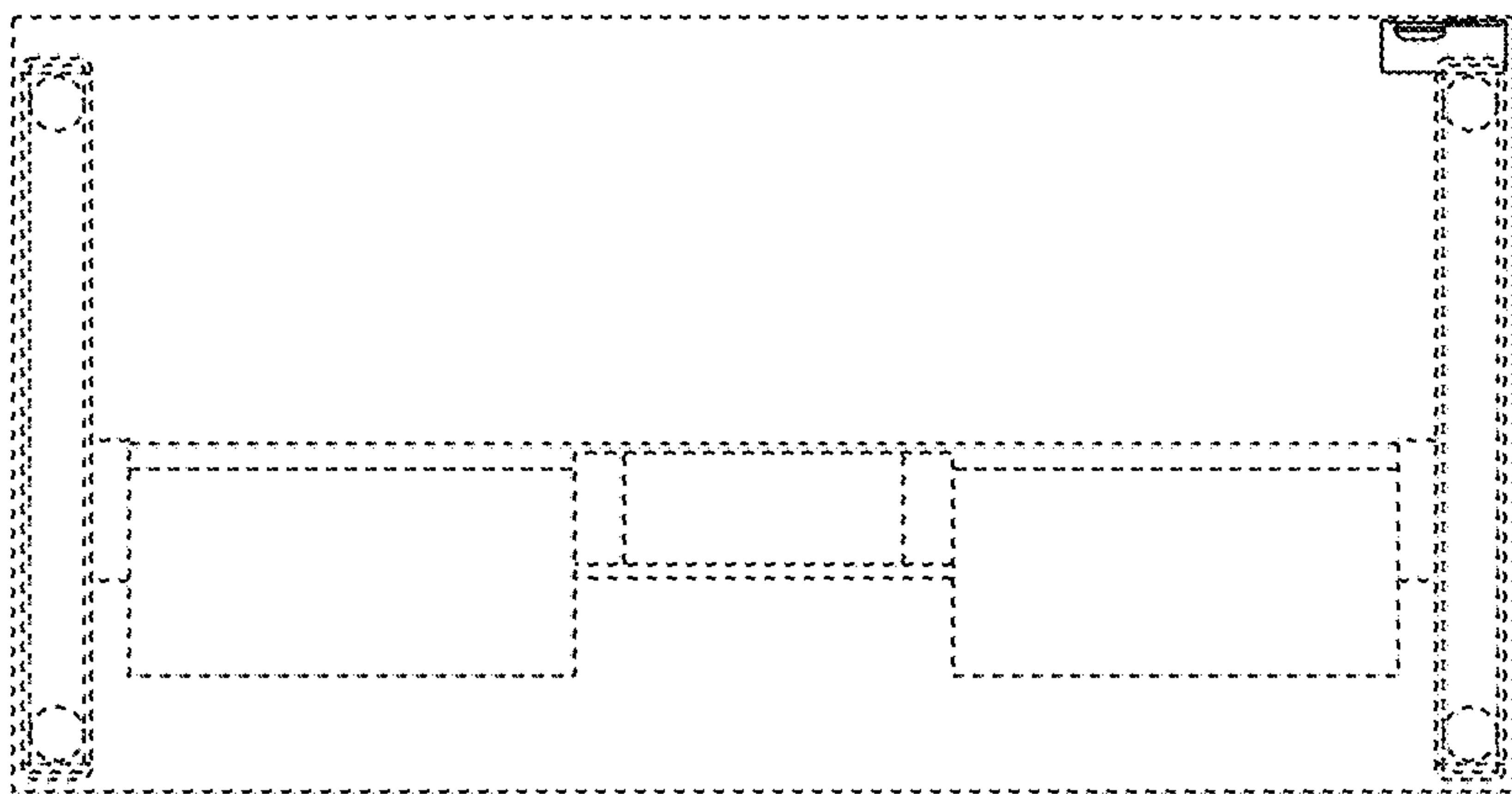


FIG. 7

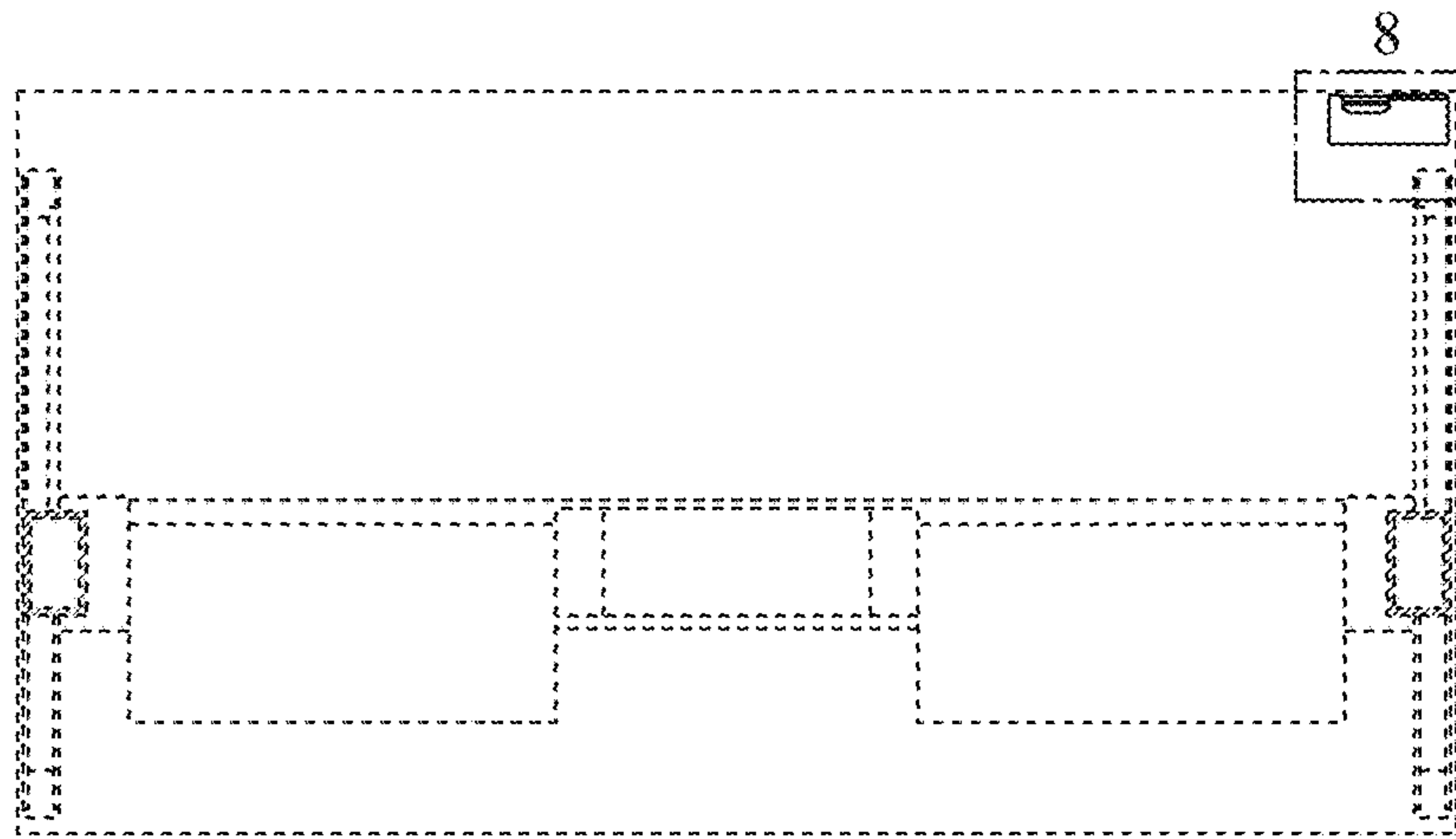


FIG. 8

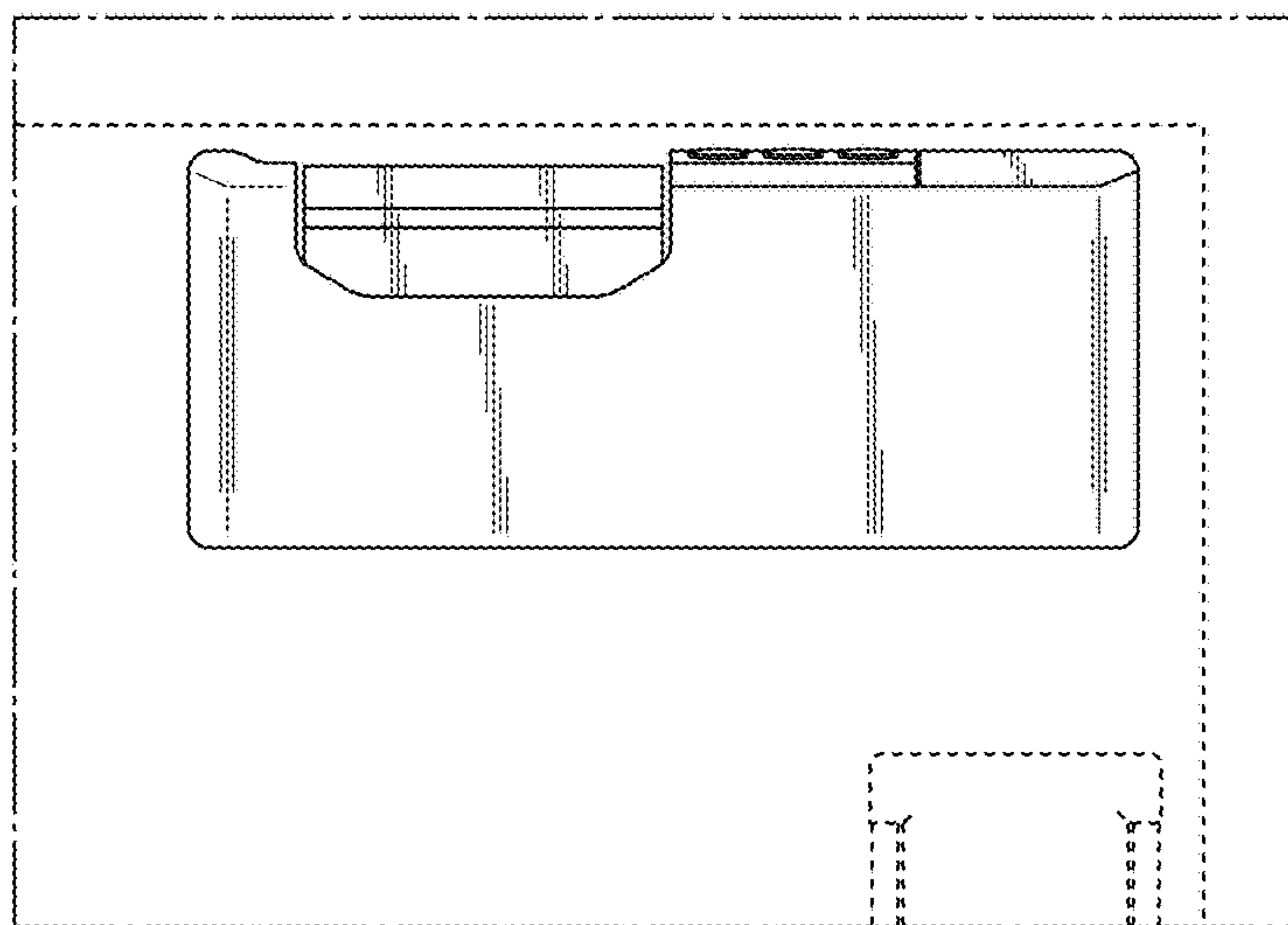


FIG. 9

