

US00D847539S

(12) **United States Design Patent** (10) **Patent No.:** **US D847,539 S**
Rus (45) **Date of Patent:** **** *May 7, 2019**

(54) **SURFACE PROTECTOR**

- (71) Applicant: **Garland Industries, Inc.**, Cleveland, OH (US)
- (72) Inventor: **Melissa Rus**, Cleveland, OH (US)
- (73) Assignee: **Garland Industries, Inc.**, Cleveland, OH (US)
- (*) Notice: This patent is subject to a terminal disclaimer.
- (**) Term: **15 Years**
- (21) Appl. No.: **29/590,221**
- (22) Filed: **Jan. 9, 2017**
- (51) **LOC (11) Cl.** **06-13**
- (52) **U.S. Cl.**
USPC **D6/610**
- (58) **Field of Classification Search**
USPC D6/610-611
CPC B65D 25/34; B65H 45/12
See application file for complete search history.

(56) **References Cited**

U.S. PATENT DOCUMENTS

D373,664	S *	9/1996	Jackson	D32/25
D445,286	S *	7/2001	Rhyne	D6/610
D449,195	S *	10/2001	Brown	D32/25
D503,999	S *	4/2005	Arvizo	D32/25
D751,223	S *	3/2016	Muxlow	D25/138
9,365,385	B2 *	6/2016	Muxlow	B65H 45/12
9,540,821	B2 *	1/2017	Houchin	B32B 7/06
D803,418	S *	11/2017	Annibale	D25/58
D831,388	S *	10/2018	Rus	D6/610
2003/0170452	A1	9/2003	Hansen		
2004/0213937	A1	10/2004	Arthur		
2004/0261346	A1	12/2004	Gibney		
2009/0077901	A1	3/2009	Brooks		
2010/0236541	A1 *	9/2010	Smith	F24J 2/045 126/621
2013/0236676	A1	9/2013	Doyle		

(Continued)

FOREIGN PATENT DOCUMENTS

CN	20332090	12/2013
EP	1570911	9/2005

(Continued)

OTHER PUBLICATIONS

Black Granite Work Top Surface Protector, posted at dunelm.com, posting date not given, [online], [site visited Feb. 8, 2018]. Available from Internet, URL: <http://www.dunelm.com/product/black-granite-work-top-surface-protector-1000009315>.*

(Continued)

Primary Examiner — George D. Kirschbaum

Assistant Examiner — Maria J Edwards

(74) *Attorney, Agent, or Firm* — Fay Sharpe LLP

(57) **CLAIM**

The ornamental design for a surface protector, as shown and described.

DESCRIPTION

FIG. 1 is a top perspective view of a surface protector showing my new design;

FIG. 2 is a top plan view of the surface protector of FIG. 1;

FIG. 3 is a side view of the surface protector of FIG. 1;

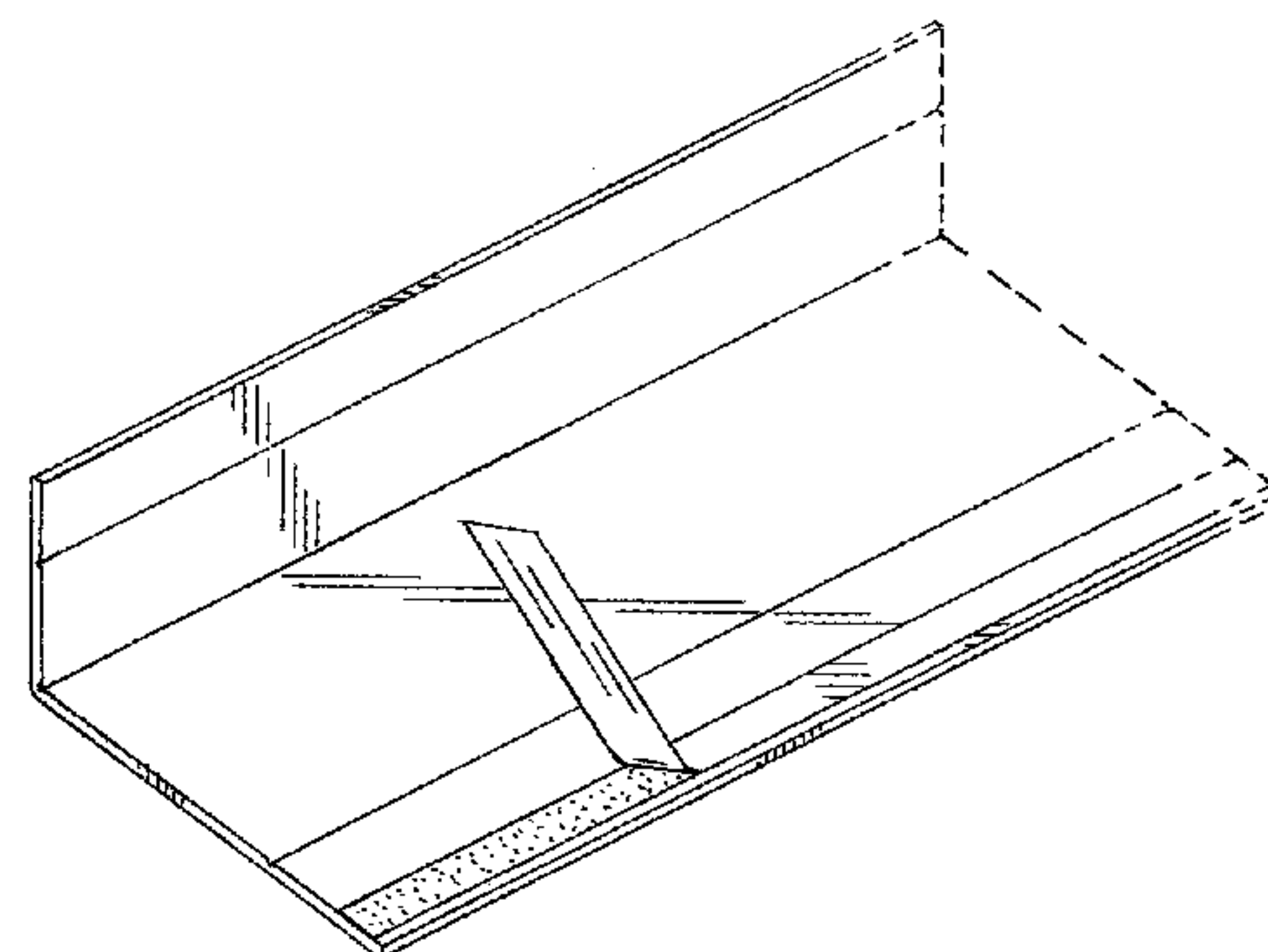
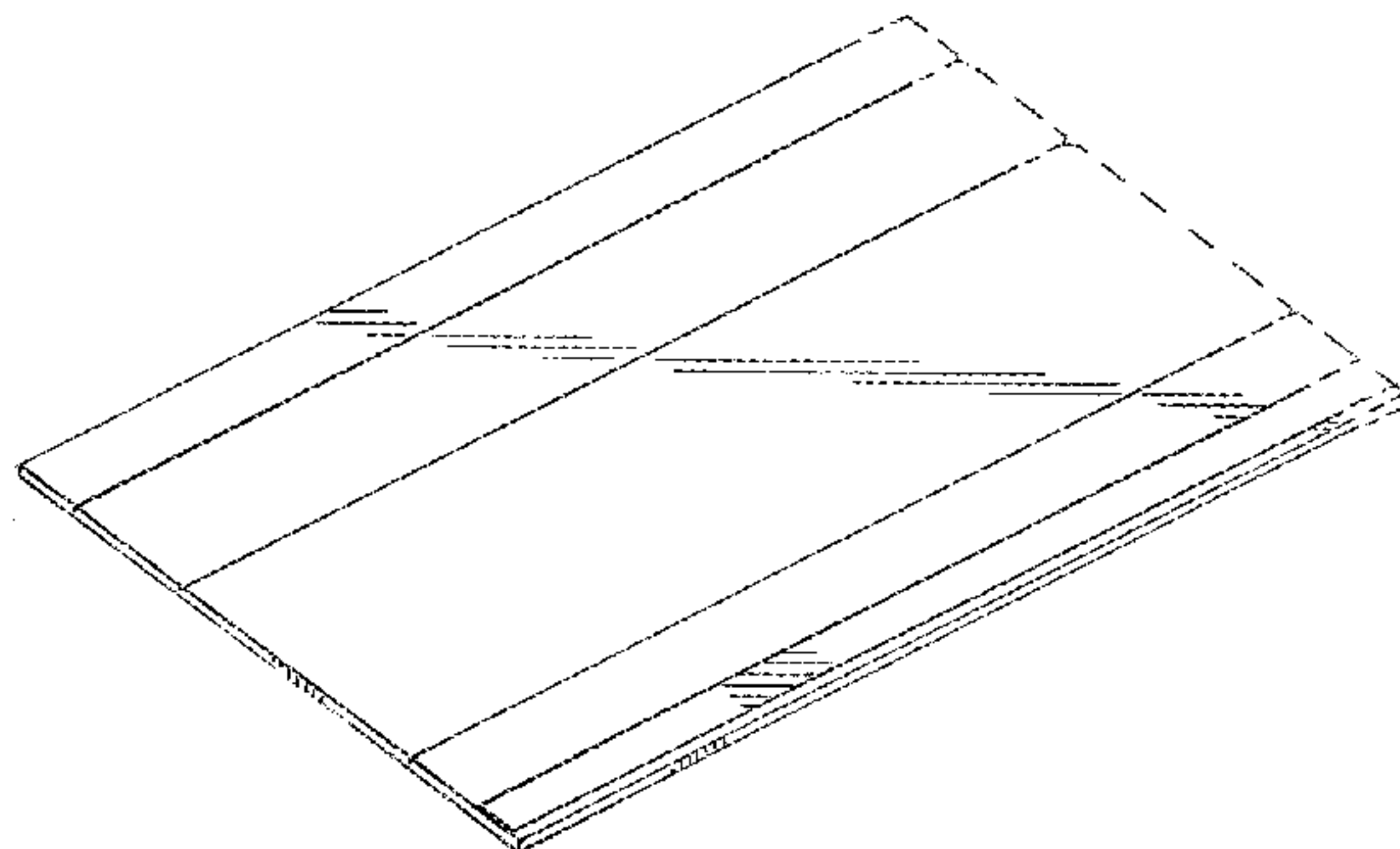
FIG. 4 is an end view of the surface protector of FIG. 1;

FIG. 5 is a bottom plan view of the surface protector of FIG. 1; and,

FIG. 6 is a top perspective view of the surface protector of FIG. 1, wherein one side is bent at a crease and a releasable film is partially removed to expose a top surface of an adhesive strip.

The broken lines illustrate non-claimed subject matter and form no part of the claimed design.

1 Claim, 3 Drawing Sheets



(56)

References Cited

U.S. PATENT DOCUMENTS

2014/0224391 A1* 8/2014 Muxlow B65H 45/12
150/154
2017/0183883 A1* 6/2017 Rus E04G 21/30
2017/0183884 A1* 6/2017 Rus E04G 21/30

FOREIGN PATENT DOCUMENTS

EP 2338679 6/2011
WO 2011146342 11/2011

OTHER PUBLICATIONS

Correx, posted at [cordek.com](http://www.cordek.com), posting date not given, [online], [site visited Feb. 8, 2018]. Available from Internet, URL: <http://www.cordek.com/products/correx>.*

Corrugated Plastic Correx Sheet Floor Protector, posted at [amazon.com](https://www.amazon.co.uk/), posting date Nov. 15, 2014, [online], [site visited Feb. 8, 2018]. Available from Internet, URL: <https://www.amazon.co.uk/Corrugated-Plastic-Correx-Protector-Protection/dp/B00PO1KW94>.*

PROTEX PROBoard, posted at [homedepot.com](https://www.homedepot.com/p/PROTEX-PROBoard-4-ft-x-4-ft-Heavy-Duty-Temporary-Floor-Protection-Sheet-500-Pallet-PB-16-RSP/205794784), posting date not given, [online], [site visited Feb. 8, 2018]. Available from Internet, URL: <https://www.homedepot.com/p/PROTEX-PROBoard-4-ft-x-4-ft-Heavy-Duty-Temporary-Floor-Protection-Sheet-500-Pallet-PB-16-RSP/205794784>.*

European Patent Office, Extended European Search Report in related EP Patent Application No. 17155301.9 (Jul. 25, 2017).

* cited by examiner

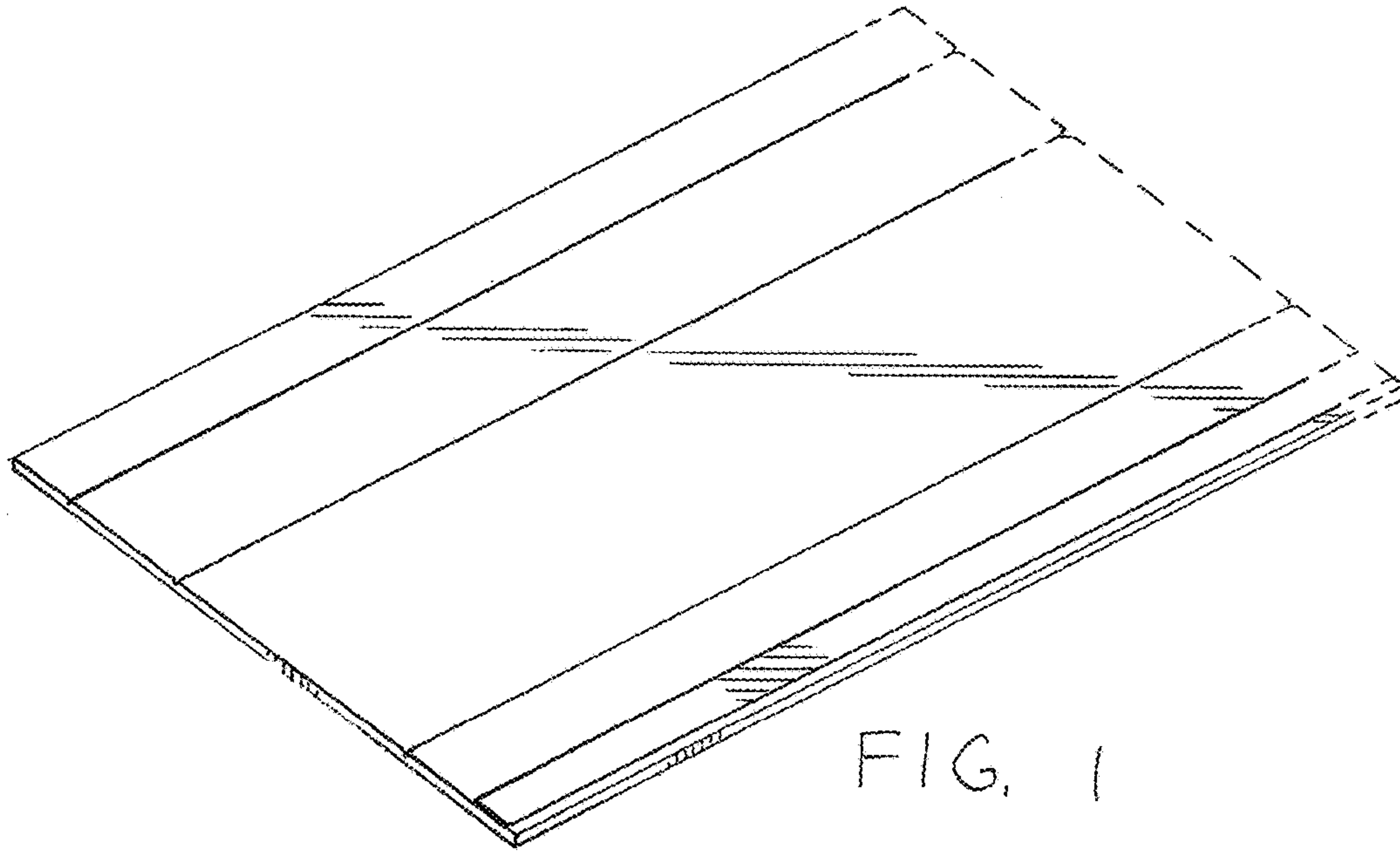


FIG. 1

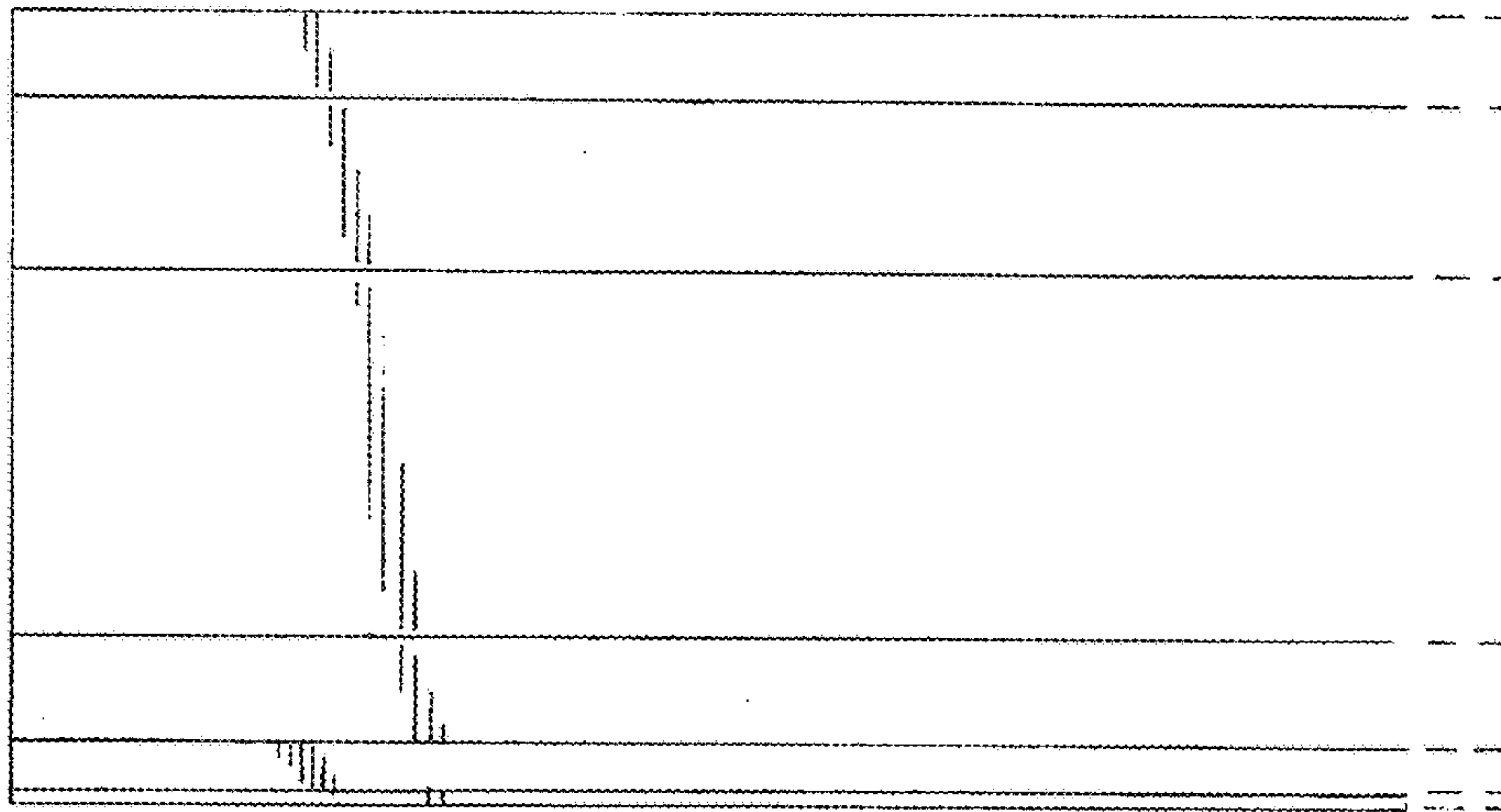


FIG. 2

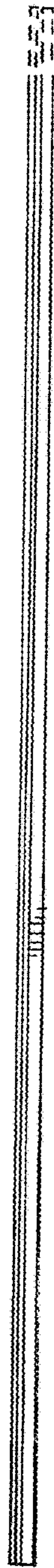


FIG. 3



FIG. 4

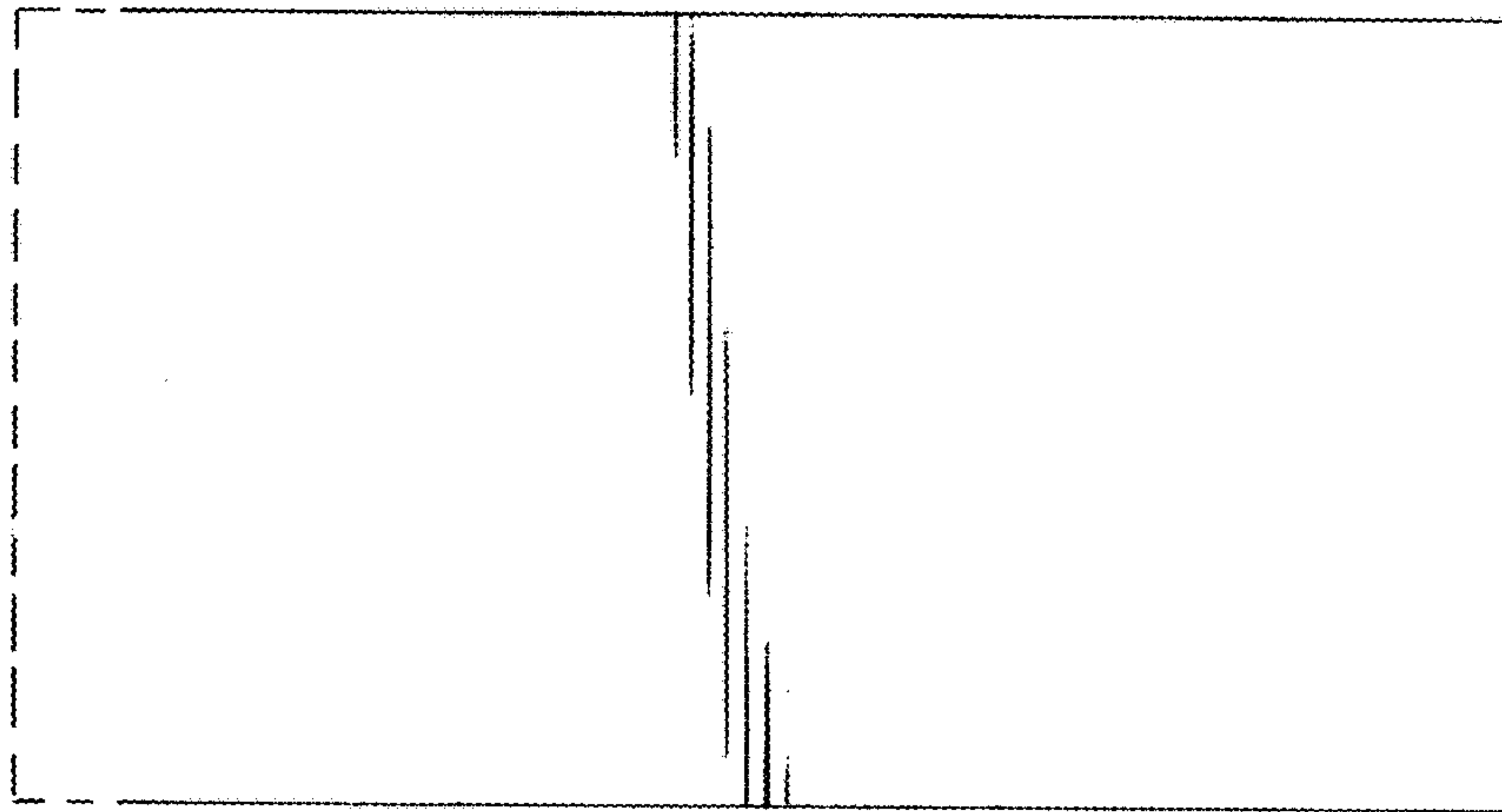


FIG. 5

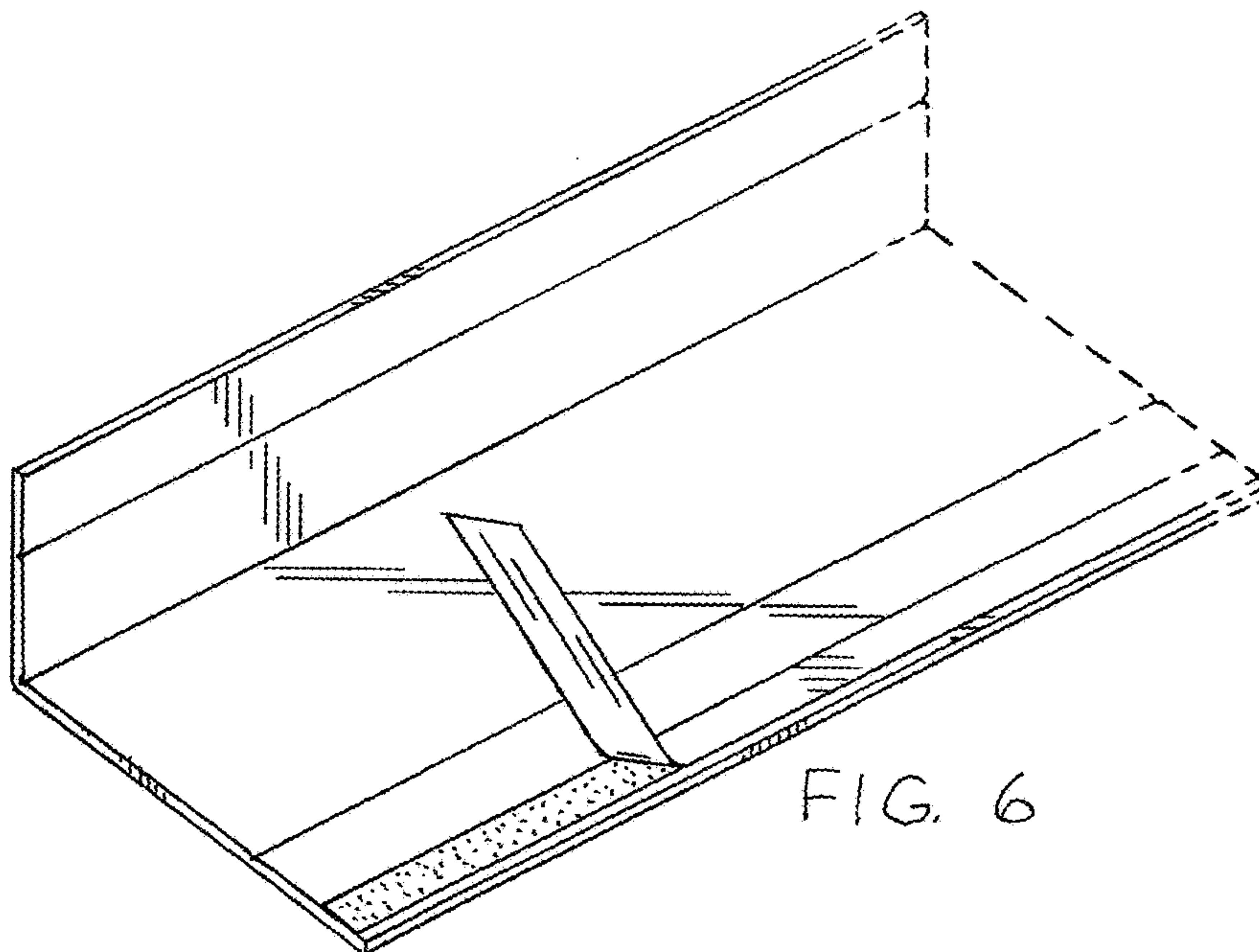


FIG. 6