

US00D847536S

(12) **United States Design Patent** (10) **Patent No.:** **US D847,536 S**
Patton et al. (45) **Date of Patent:** **** May 7, 2019**

(54) **MAT**
(71) Applicant: **Varidesk, LLC**, Coppel, TX (US)
(72) Inventors: **David Patton**, Flower Mound, TX (US); **Coco Chang**, Lewisville, TX (US)
(73) Assignee: **Varidesk, LLC**, Coppel, TX (US)
(**) Term: **15 Years**
(21) Appl. No.: **29/582,578**
(22) Filed: **Oct. 28, 2016**
(51) **LOC (11) Cl.** **06-11**
(52) **U.S. Cl.**
USPC **D6/582**
(58) **Field of Classification Search**
USPC D6/582-589, 592-594, 596; D12/203, D12/608; D23/261; D32/55, 57; D3/304; D7/550.1, 553.1, 553.2, 553.3, D7/553.7, 554.3
CPC A47G 23/0303; A47G 27/00; A47G 27/02; A47G 27/0206; A47G 27/0212; A47G 27/0225; A47G 27/031; A47G 27/0293; A47G 9/062; A47L 23/26; A63B 21/4037; A63B 6/00; G09B 19/0015; F16N 31/006
See application file for complete search history.

3,323,151 A 6/1967 Lerman
3,434,715 A 3/1969 Brantingham et al.
D232,935 S 9/1974 Stahel
(Continued)

FOREIGN PATENT DOCUMENTS

CN 202876188 U 4/2013
CN 203060252 U 7/2013
(Continued)

OTHER PUBLICATIONS

Matheson, "How Anti-Fatigue Mats Reduce Fatigue," which was published on the Internet and believed to have been available since at least Jun. 17, 2013, and was retrieved from the Internet on Dec. 21, 2016; URL:<<https://web.archive.org/web/20130617040513/http://www.mathesongas.com/industrialgas/pdfs/safety/matting.pdf>>, 13 pages.
(Continued)

Primary Examiner — Kevin K Rudzinski
Assistant Examiner — Clare Ann Gannon
(74) *Attorney, Agent, or Firm* — Venable LLP; Michele V. Frank; Elizabeth C. G. Gitlin

(57) **CLAIM**

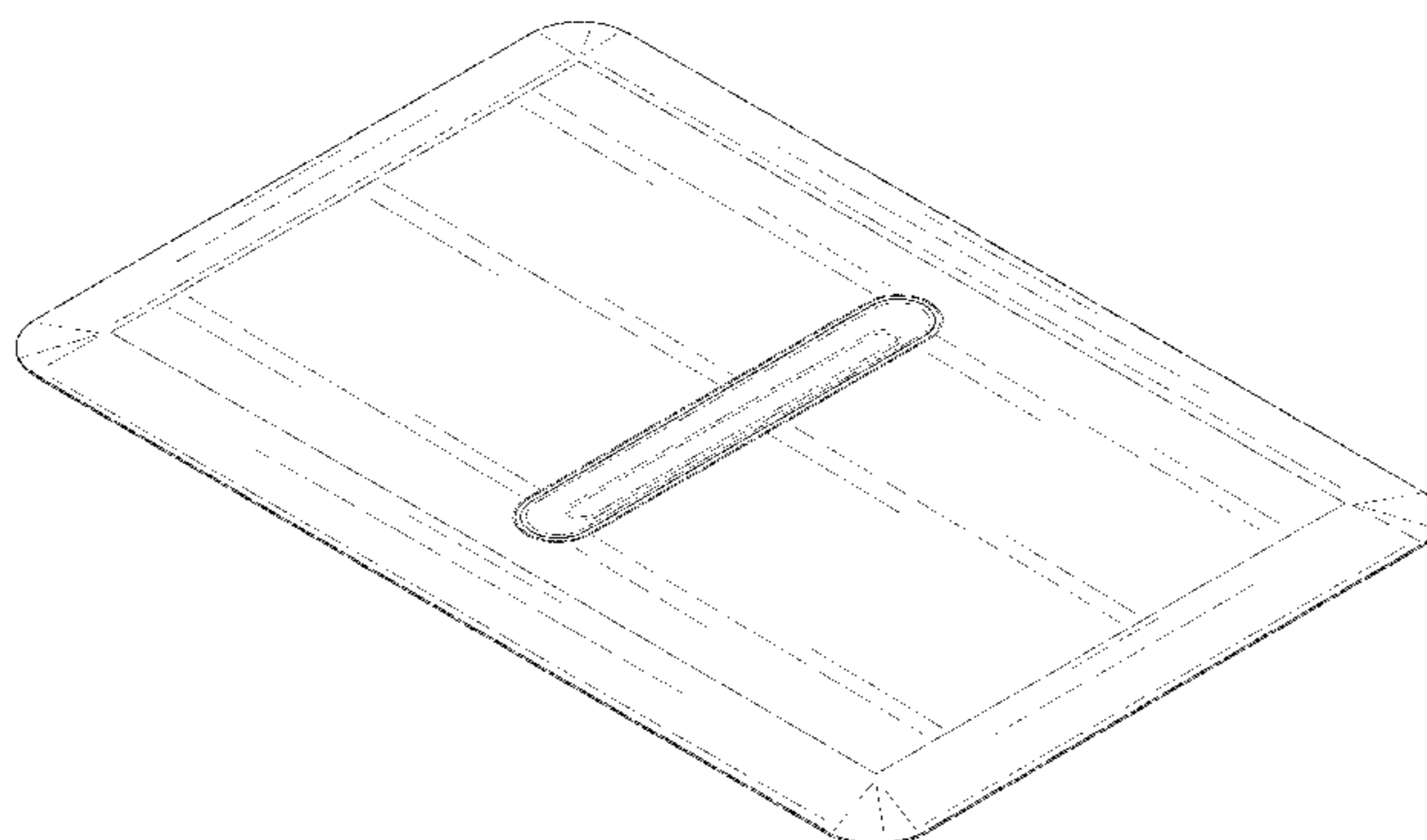
The ornamental design for a mat, as shown and described.

DESCRIPTION

FIG. 1 is a front perspective view of a mat, according to the new design.
FIG. 2 is a front elevational view thereof.
FIG. 3 is a rear elevational view thereof.
FIG. 4 is a right side view thereof.
FIG. 5 is a left side view thereof.
FIG. 6 is a top plan view thereof; and,
FIG. 7 is a bottom plan view thereof.
The features shown in broken lines are environment only, and not part of the claimed design.

1 Claim, 5 Drawing Sheets

(56) **References Cited**
U.S. PATENT DOCUMENTS
1,351,285 A * 8/1920 Chess A01M 1/2011
294/172
1,756,380 A * 4/1930 Osborn A47G 27/0225
15/244.4
D133,036 S * 7/1942 Harwell D7/553.3
D172,245 S * 5/1954 Netzler D7/543
2,752,915 A 7/1956 Riblet
D186,488 S 10/1959 Madl
3,100,483 A 8/1963 Altmeyer



(56)

References Cited

U.S. PATENT DOCUMENTS

4,253,661 A 3/1981 Russell
 4,329,981 A 5/1982 Dungal
 D267,028 S 11/1982 Spisak
 4,421,110 A 12/1983 DeLisle et al.
 4,603,851 A 8/1986 Russell
 4,772,014 A 9/1988 Rebman
 4,784,888 A * 11/1988 Schwertner A63B 6/00
 428/130
 4,974,582 A 12/1990 Johnson
 D315,463 S * 3/1991 Spiegel A01M 1/2011
 D12/133
 5,056,507 A 10/1991 Yum
 5,108,094 A 4/1992 Quinn et al.
 5,158,073 A 10/1992 Bukowski
 5,254,384 A 10/1993 Gordon
 D354,197 S * 1/1995 Fish D7/504
 5,390,775 A 2/1995 Herrick et al.
 5,402,545 A 4/1995 Jolley
 D377,130 S * 1/1997 Dorrer D6/596
 D385,318 S 10/1997 Videtto
 D396,293 S 7/1998 Stranner
 5,787,541 A 8/1998 Chen
 5,802,743 A 9/1998 Chien
 D403,547 S * 1/1999 Adkins D6/582
 5,897,474 A 4/1999 Romero
 5,913,839 A 6/1999 Wincek
 D430,627 S 9/2000 Bergman
 6,114,014 A 9/2000 Ikeda et al.
 6,125,984 A 10/2000 Huber et al.
 6,303,197 B1 10/2001 Hodgetts
 6,305,040 B1 10/2001 Myler
 D471,236 S * 3/2003 Robbins, III D19/82
 D471,237 S 3/2003 Robbins, III
 D472,679 S * 4/2003 Burington D29/121.1
 D475,792 S 6/2003 Robbins, III
 D484,392 S 12/2003 Mayo et al.
 6,719,248 B2 4/2004 Lamont
 D495,016 S 8/2004 Nudo
 D496,110 S 9/2004 Kim
 D496,702 S * 9/2004 Nudo D21/698
 6,846,252 B2 1/2005 Nudo
 6,921,372 B2 7/2005 Shin
 6,942,604 B2 9/2005 Teff
 D513,774 S * 1/2006 Nudo D21/698
 7,073,651 B2 7/2006 Costanzo et al.
 D547,490 S * 7/2007 Simester D27/194
 7,316,597 B2 1/2008 Skedeleski
 D562,416 S 2/2008 Fedriga et al.
 7,445,833 B2 11/2008 Polley
 D611,749 S 3/2010 Lubart
 D612,504 S * 3/2010 Ha D24/189
 D623,882 S 9/2010 Oster
 D626,773 S 11/2010 Oster
 8,062,189 B1 11/2011 Moring, Jr. et al.
 D654,162 S * 2/2012 Sykes D23/393
 D674,640 S * 1/2013 Knoll D6/582
 8,360,940 B2 1/2013 Kole et al.
 D691,221 S * 10/2013 Potts D21/680
 D694,415 S 11/2013 Viner et al.
 8,677,532 B2 3/2014 Legare
 8,696,607 B2 4/2014 McDonnell et al.
 D706,940 S * 6/2014 Julian D24/190
 D715,274 S * 10/2014 Callas D14/230
 8,888,808 B1 11/2014 Park
 8,932,322 B2 1/2015 Reynolds et al.
 8,998,832 B2 4/2015 Almeida et al.
 D732,182 S 6/2015 Viner et al.
 9,078,528 B2 7/2015 Ramdath
 9,079,072 B2 7/2015 Agostini
 D741,500 S * 10/2015 Son D24/190

9,211,437 B2 12/2015 Soba
 9,216,321 B2 12/2015 Agostini
 D770,201 S * 11/2016 Dieckhaus D6/582
 D781,435 S 3/2017 Eastman et al.
 D787,403 S 5/2017 Simonsen
 9,700,165 B2 7/2017 Johnson et al.
 9,775,770 B2 10/2017 Eastman et al.
 2003/0207738 A1 11/2003 Wong
 2004/0082890 A1 4/2004 Kuo
 2006/0040811 A1 2/2006 Foster
 2007/0037672 A1 2/2007 Nakanishi
 2007/0078020 A1 4/2007 Jong
 2007/0249476 A1 10/2007 Hill et al.
 2008/0149122 A1 6/2008 Lovely
 2008/0214361 A1 9/2008 Oster
 2009/0139017 A1 6/2009 Anderson
 2010/0145243 A1 6/2010 Kantor
 2010/0234189 A1 9/2010 Freitag
 2012/0028764 A1 2/2012 Miller
 2012/0065033 A1 3/2012 Moring, Jr. et al.
 2013/0269112 A1 10/2013 Legare
 2013/0324382 A1 12/2013 Wilson
 2015/0126915 A1 5/2015 Reynolds et al.
 2016/0174745 A1 6/2016 Feeley et al.
 2016/0255977 A1 9/2016 Burkhalter
 2016/0270998 A1 9/2016 Nielsen

FOREIGN PATENT DOCUMENTS

CN 204379726 U 6/2015
 DE 202012104883 U1 2/2013
 DE 202014001424 U1 3/2014
 DE 10 2014 111 572 B3 9/2015
 GB 2 176 114 A 12/1986
 JP 355131270 U 9/1980
 JP S 63279847 A 11/1988
 JP H0975414 A 3/1997
 KR 20030055208 A 7/2003
 KR 20110000296 U 1/2011
 WO 1996006559 A1 3/1996
 WO WO/2003/105654 A1 12/2003
 WO WO-2012/107740 A1 8/2012
 WO WO2016/027109 A1 2/2016

OTHER PUBLICATIONS

36 Beads foot massage pad ball massage pad foot massage device, accessed Jun. 15, 2016, <http://www.aliexpress.com/item/36-beads-foot-massage-pad-ball-massage-pad-foot-mat-foot-massage-device-massage-carpet-mat/32650133815.html>, pp. 1/18-6/18.
 Bathroom Advice on pressure pad Multi-function Mats Point massage cushion The foot pad Non-slip mat, accessed Jun. 15, 2016, <http://www.aliexpress.com/item/Bathroom-Advice-on-pressure-mad-Multi-function-Mats-Point-massage-cushion-The-foot-pad-Non-slip/1147009316.html>, pp. 1/20-20/20.
 Ergodriiven, "Infinite Positions on Topo: The Not-Flat Standing Desk Anti-Fatigue Mat," <https://www.youtube.com/watch?v=R8OACVDwwoE>, allegedly published on Jan. 15, 2015 (last accessed Nov. 10, 2016), pp. 1-2.
 International Search Report and Written Opinion issued in International Application No. PCT/US2017/058747, dated Jan. 16, 2018.
 The Original ¾" Gorilla Grip Anti-Fatigue Comfort Mat. Amazon.com. Aug. 15, 2016. <<https://www.amazon.com/dp/B01H6AEHC8?psc=1>>. Accessed Aug. 11, 2017.
 Office Action dated Jan. 11, 2018 in Design U.S. Appl. No. 29/582,580. [Provided in IFW].
 Notice of Allowance issued in U.S. Appl. No. 29/582,580, dated May 17, 2018 [Available in IFW].

* cited by examiner

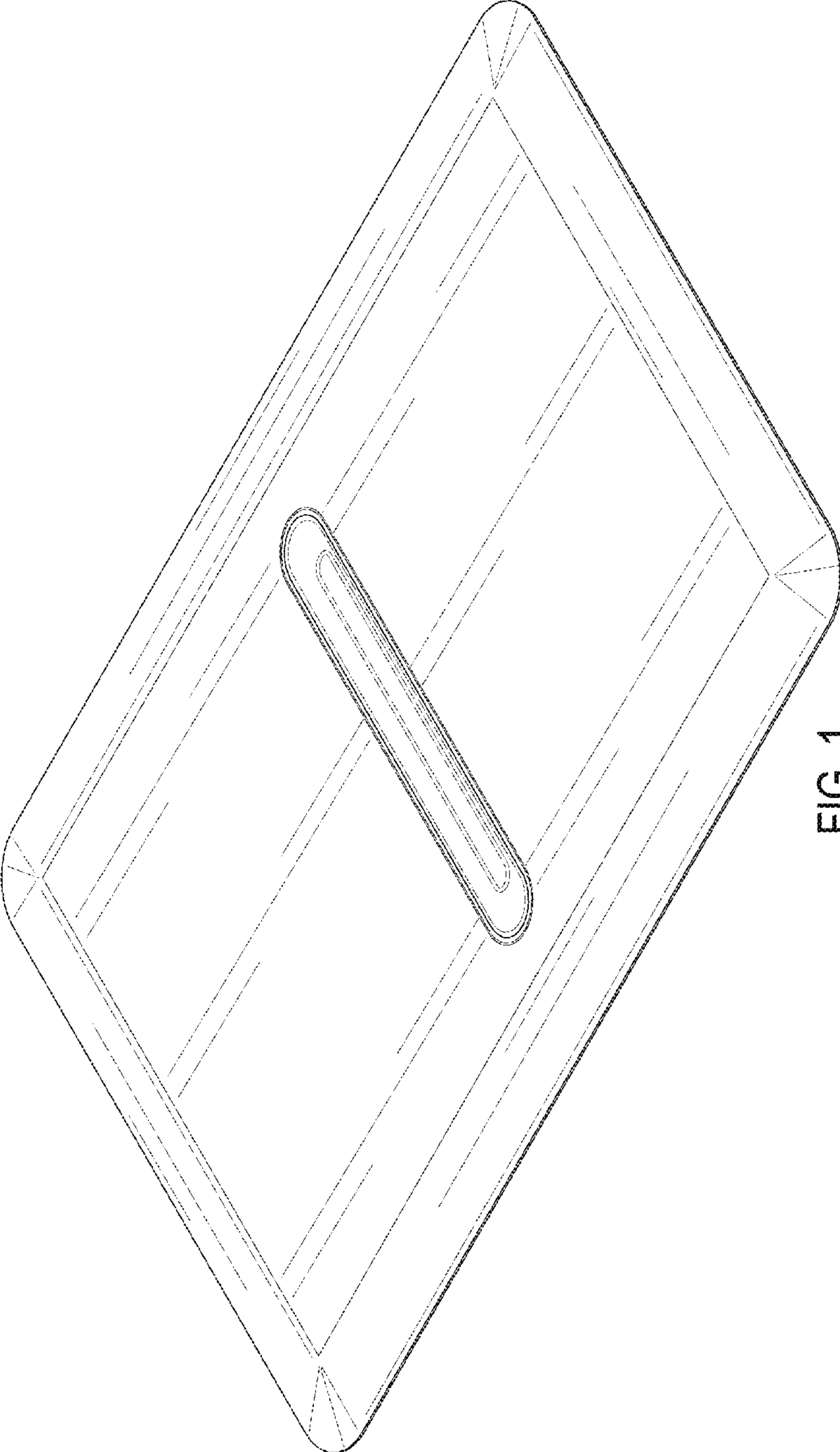


FIG. 1

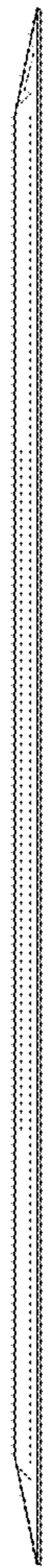


FIG. 2

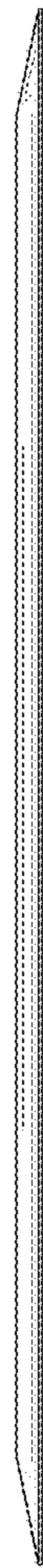


FIG. 3

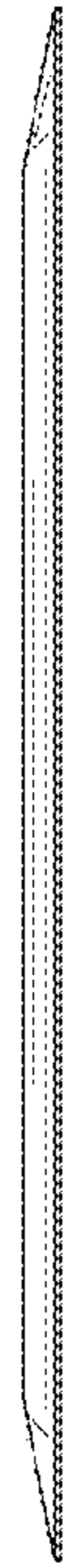


FIG. 4

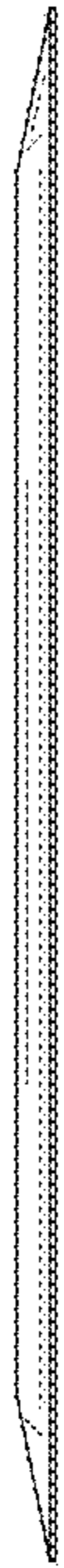


FIG. 5

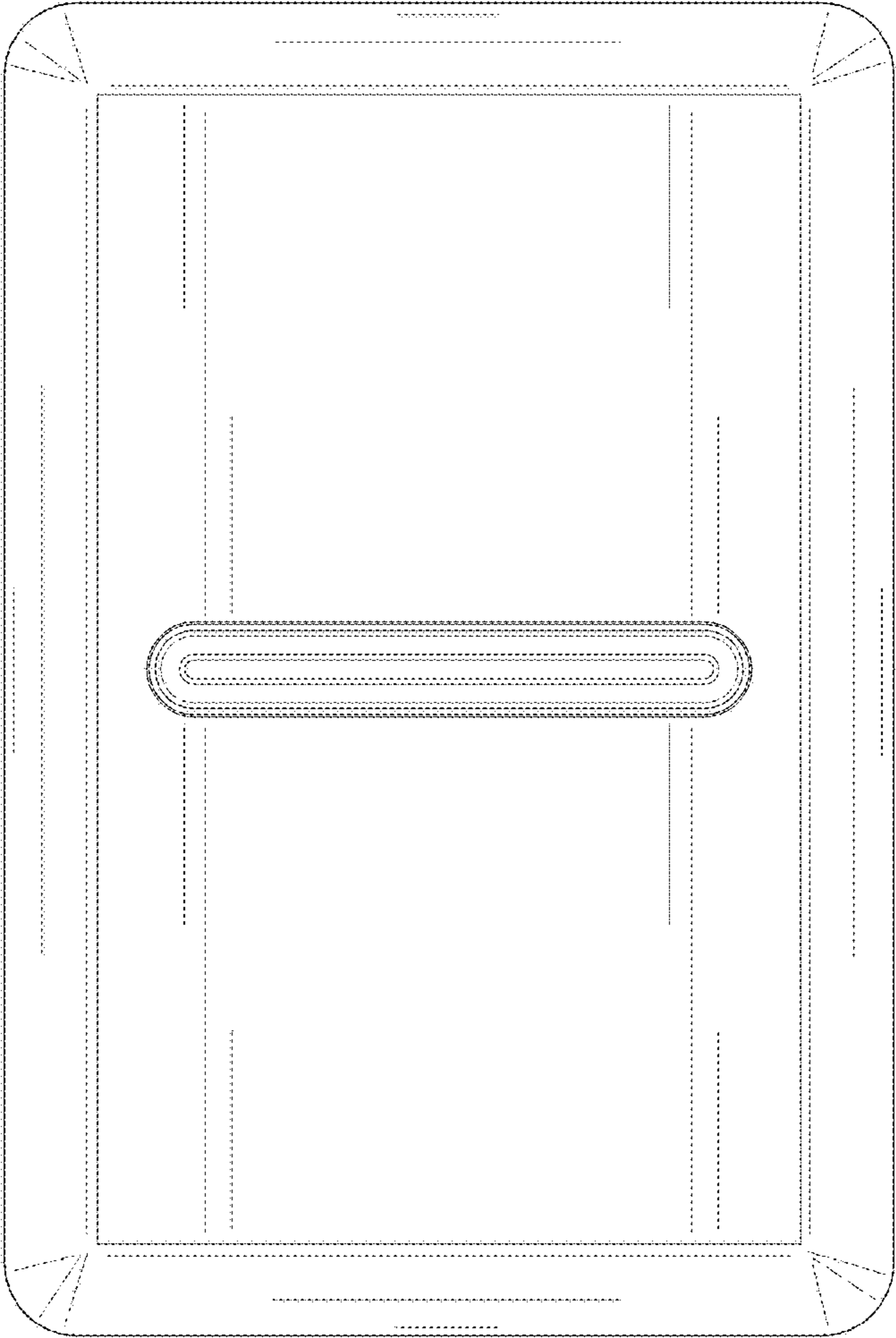


FIG. 6



FIG. 7