



US00D847535S

(12) **United States Design Patent** (10) **Patent No.:** **US D847,535 S**
Goodman et al. (45) **Date of Patent:** **** May 7, 2019**

(54) **SHELF AND HOOK ASSEMBLY**
(71) Applicant: **Spectrum Diversified Designs, LLC**,
Streetsboro, OH (US)
(72) Inventors: **Aaron Goodman**, Beachwood, OH
(US); **Courtney Wilson**, Chardon, OH
(US)
(73) Assignee: **SPECTRUM DIVERSIFIED
DESIGNS, LLC**, Streetsboro, OH (US)
(**) Term: **15 Years**
(21) Appl. No.: **29/633,609**
(22) Filed: **Jan. 15, 2018**
(51) **LOC (11) Cl.** **06-04**
(52) **U.S. Cl.**
USPC **D6/567**
(58) **Field of Classification Search**
USPC D6/567, 553, 512-514, 569, 566, 572;
211/10, 11, 42, 45, 50, 88.01, 126.1,
211/13.1, 70.6, 70.7, 32, 35, 85.9, 54.1,
211/59.1, 66, 86.01, 56; D19/75-80, 86,
D19/87, 89-92; 206/215, 425, 556, 557;
248/200, 205.1, 235, 301, 304, 309.1,
248/309.2
CPC B65D 11/38; A47J 47/18; A47J 45/00
See application file for complete search history.

(56) **References Cited**
U.S. PATENT DOCUMENTS
D112,447 S * 12/1938 Feldman D6/572
D242,513 S * 11/1976 Schweitzer D6/572
D430,766 S * 9/2000 Sorensen D6/574
D489,927 S * 5/2004 Hoernig D6/574
D519,769 S * 5/2006 Hoernig D6/574
D597,773 S * 8/2009 Yeung D6/546
D671,778 S * 12/2012 Kwok D6/549

D704,959 S * 5/2014 Callif D6/567
D715,073 S * 10/2014 Simonetti D6/574
D764,834 S * 8/2016 Citterio D6/574
D771,972 S * 11/2016 Tsai D6/569
D784,721 S * 4/2017 Goodman D6/525
2012/0175330 A1* 7/2012 Nicholls A47B 97/00
211/90.01

OTHER PUBLICATIONS

Spectrum Diversified website, Vintage Wall Mount 5-Hook Wood Shelf, Dec. 3, 2018, <https://www.spectrumdiversified.com/products/vintage-wall-mount-5-hook-wood-shelf> (Year: 2018).
Industrial Shelves With Metal Brackets | Houzz web page, <https://www.houzz.com/product/81230192-industrial-shelves-with-metal-brackets-set-of-2-walnut-industrial-display-and-wall-shelves>, dated: Jan. 9, 2018, p. 1.

* cited by examiner

Primary Examiner — David G Muller
Assistant Examiner — Nathan M Johnston
(74) *Attorney, Agent, or Firm* — Tucker Ellis LLP

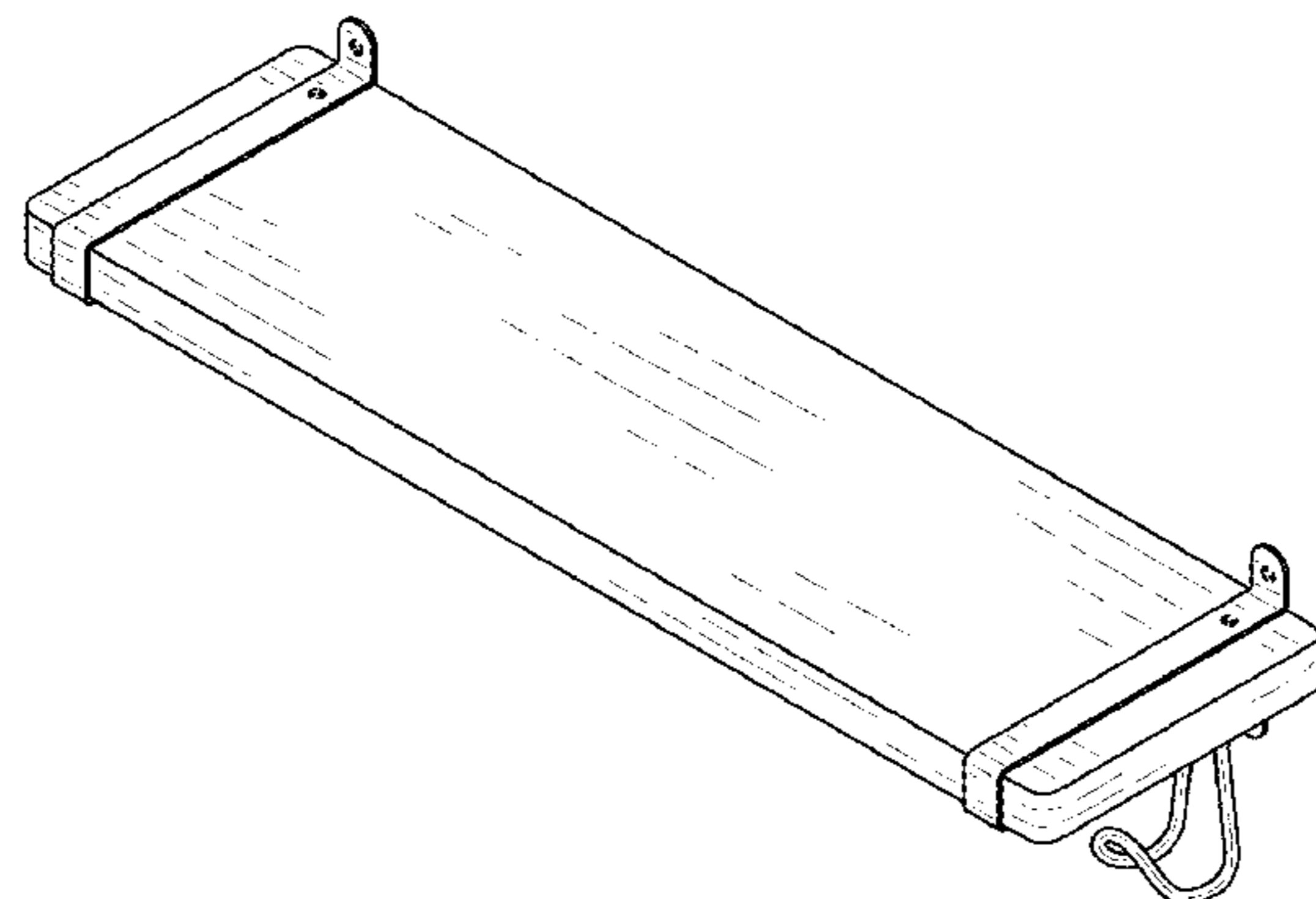
(57) **CLAIM**

The ornamental design for a shelf and hook assembly, as shown and described.

DESCRIPTION

FIG. 1 is a perspective view of a shelf and hook assembly showing our new design.
FIG. 2 is a front view thereof.
FIG. 3 is a rear view thereof.
FIG. 4 is a right side view thereof.
FIG. 5 is a left side view thereof.
FIG. 6 is a top view thereof; and,
FIG. 7 is a bottom view thereof.
The broken lines show portions of the design that form no part of the claimed design.

1 Claim, 4 Drawing Sheets



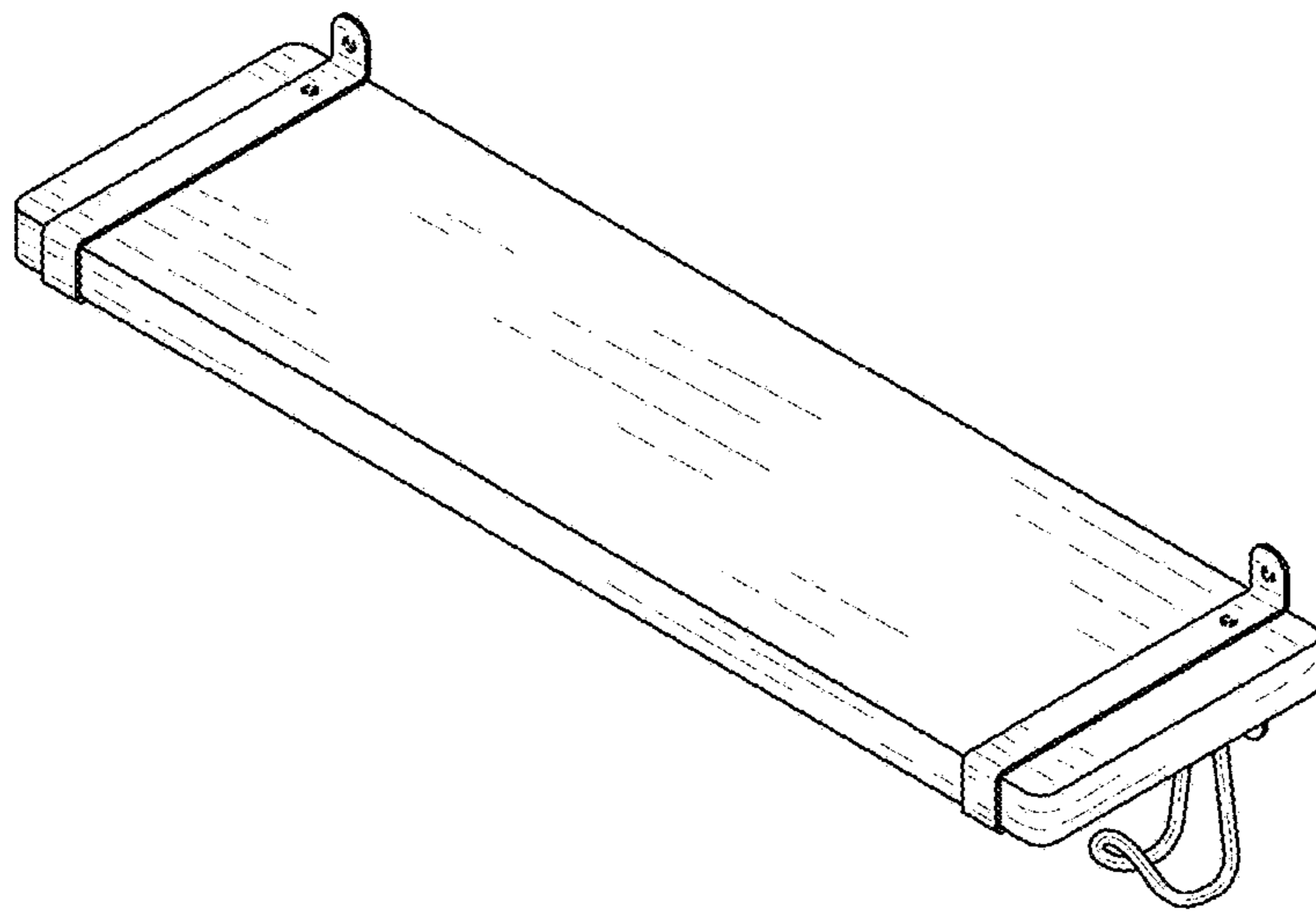


FIG. 1

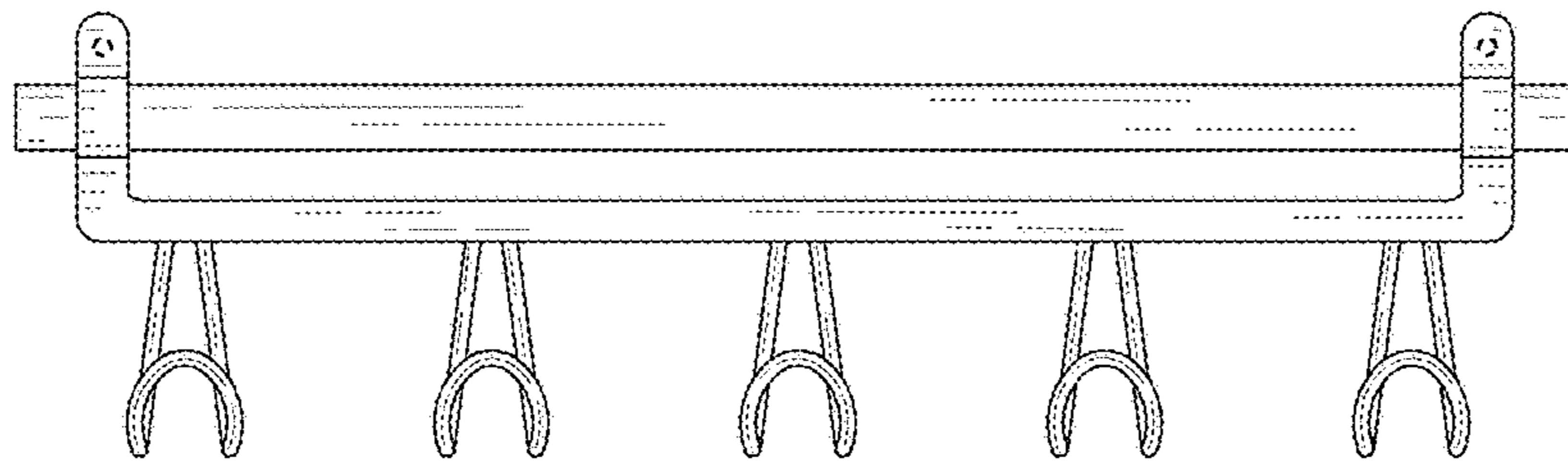


FIG. 2

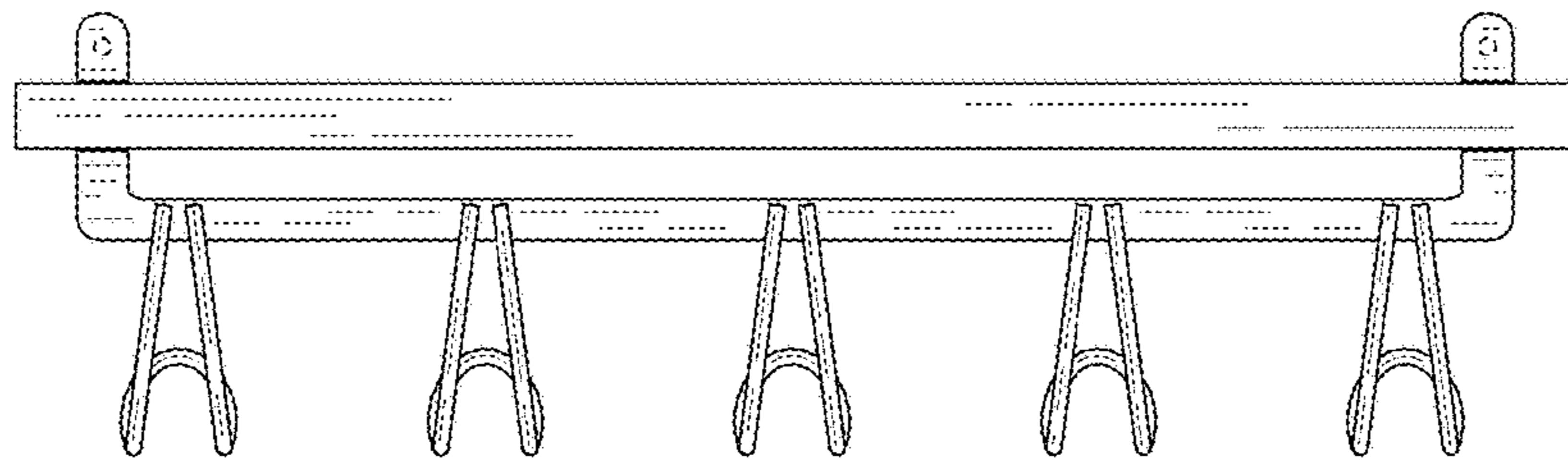


FIG. 3

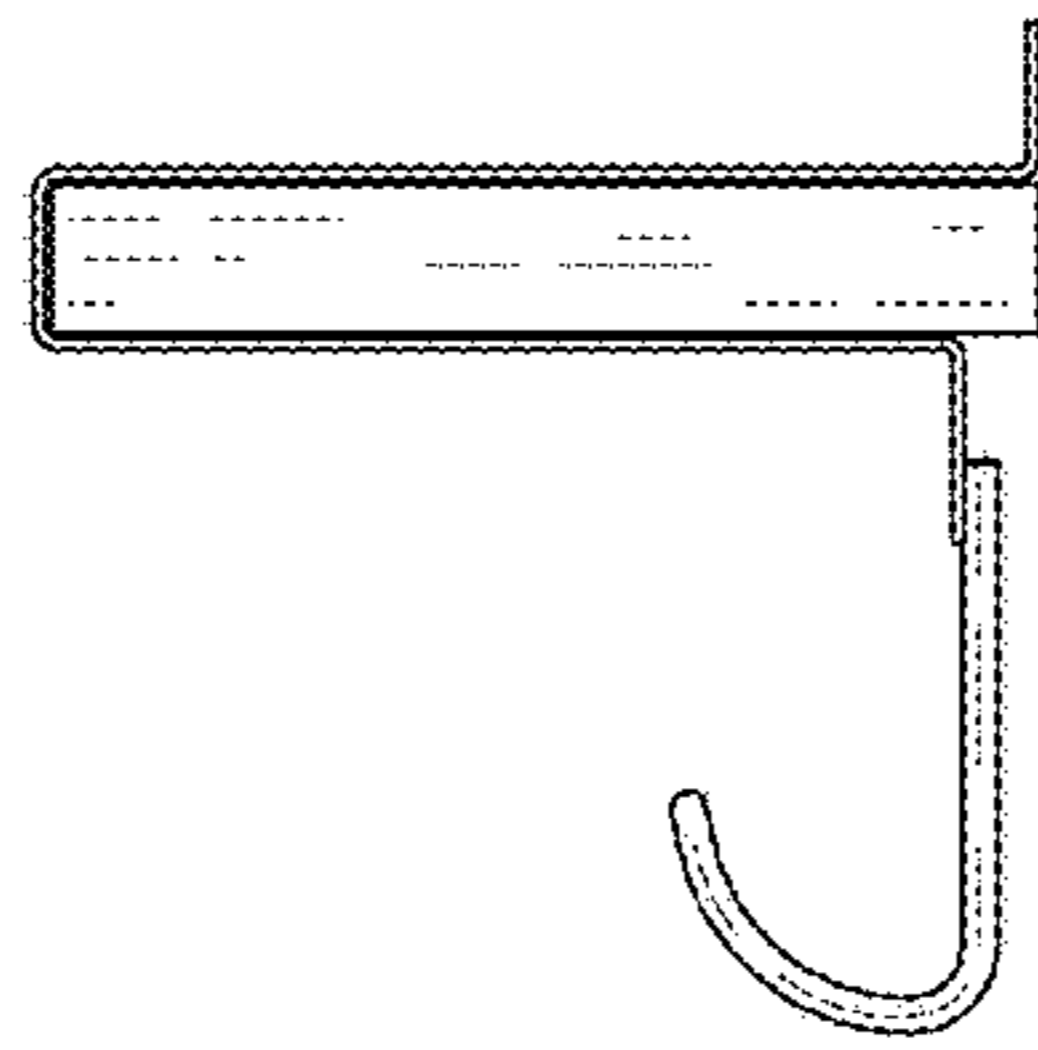


FIG. 4

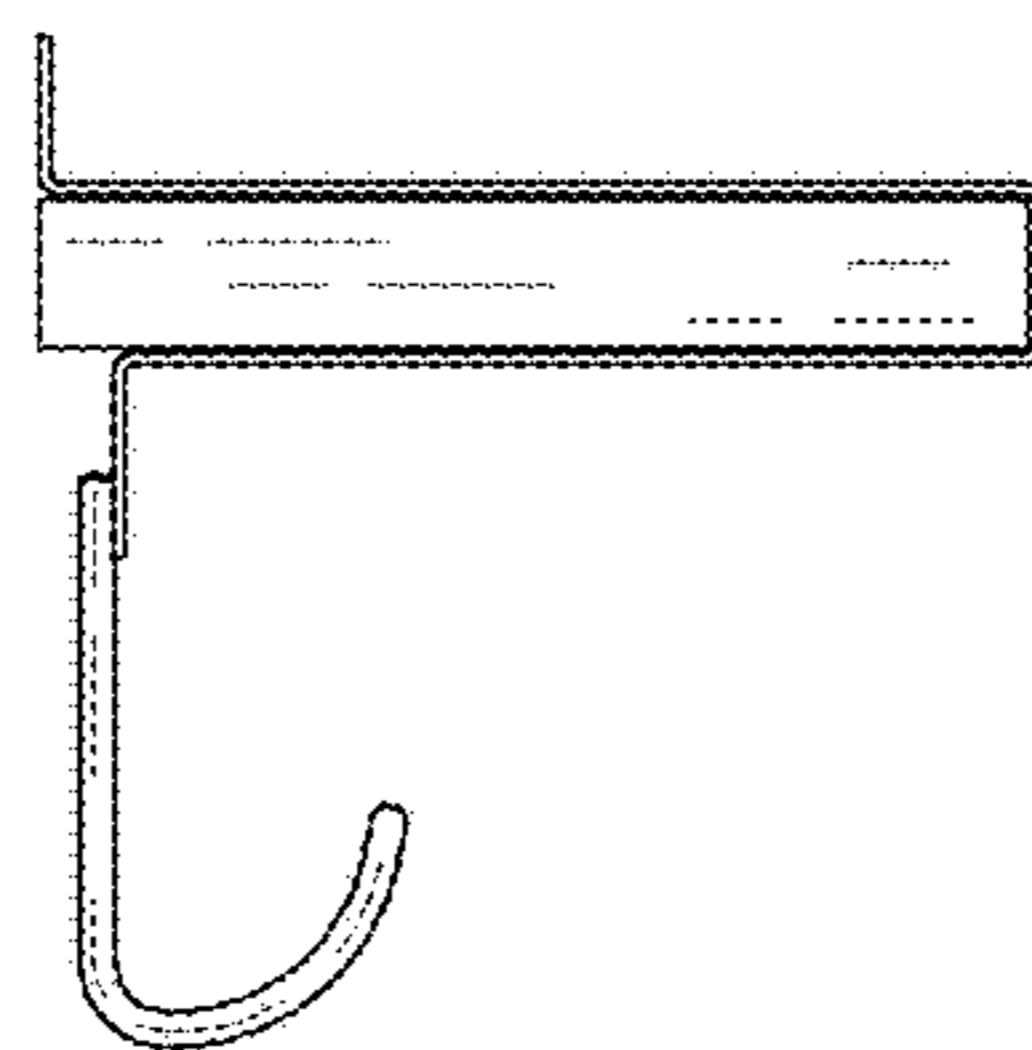


FIG. 5

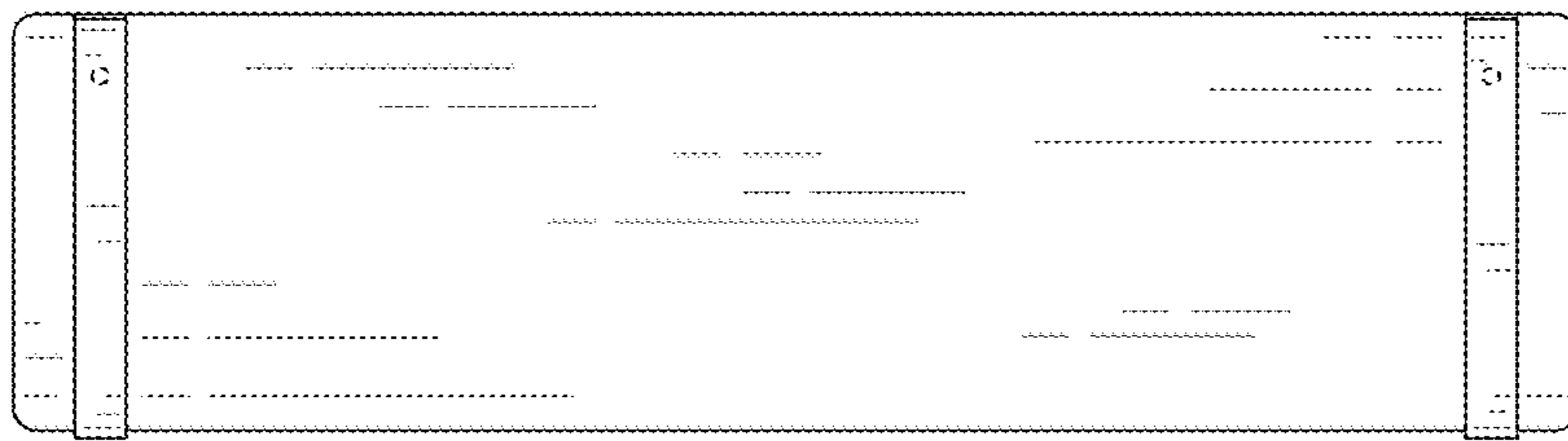


FIG. 6

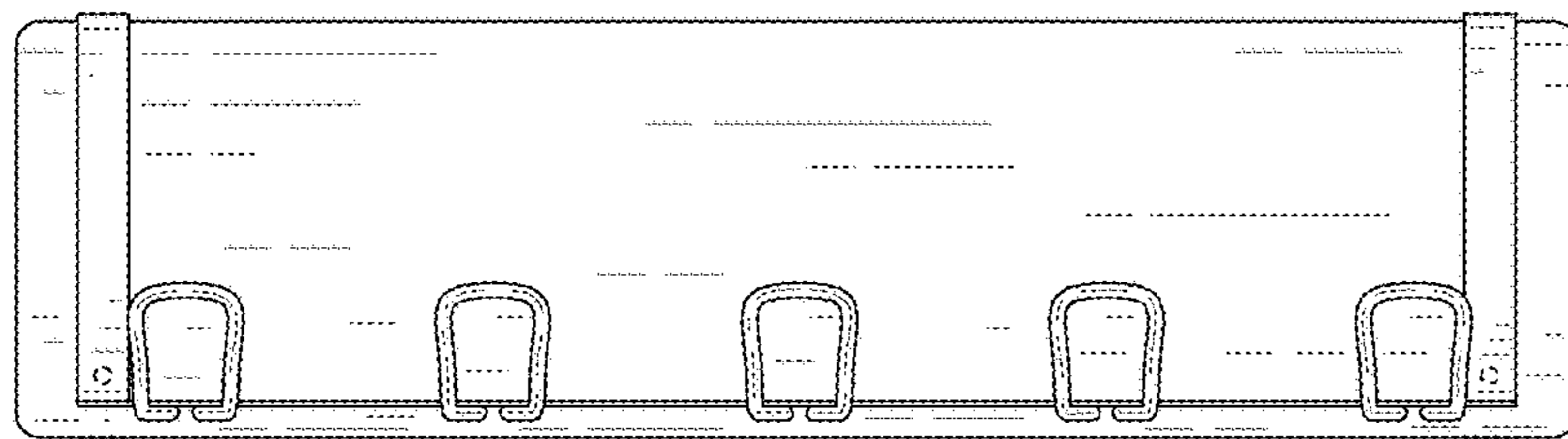


FIG. 7