



US00D847533S

(12) **United States Design Patent**
Wang

(10) **Patent No.:** **US D847,533 S**

(45) **Date of Patent:** **** May 7, 2019**

- (54) **LIQUID SOAP DISPENSER**
- (71) Applicant: **SHENZHEN FANSHIBAO TECHNOLOGY CO., LTD.**, Shenzhen (CN)
- (72) Inventor: **Jian Wang**, Shenzhen (CN)
- (73) Assignee: **SHENZHEN FANSHIBAO TECHNOLOGY CO., LTD.**, Shenzhen (CN)
- (**) Term: **15 Years**
- (21) Appl. No.: **29/649,691**
- (22) Filed: **May 31, 2018**
- (51) **LOC (11) Cl.** **23-02**
- (52) **U.S. Cl.**
USPC **D6/542**
- (58) **Field of Classification Search**
USPC D6/542-545; 206/77.1; 221/96, 132; 222/92, 105, 173, 180, 181.1, 181.2, 222/181.3, 282, 283; D9/682, 688, 690, D9/291, 448, 449
CPC B01L 3/52; B05B 11/3014; B05B 9/0403; B05B 9/0426; C11D 17/08; A45D 19/02; A47K 5/12; A47K 5/1202; A47K 5/1211; B67D 7/0255; B01F 15/0243; B01F 15/0254; B01F 5/12; B01F 5/20; B05D 5/00
See application file for complete search history.

- D564,273 S * 3/2008 Yang D6/542
- D593,784 S * 6/2009 Chan D6/542
- D608,578 S * 1/2010 Yang D6/542
- D622,526 S * 8/2010 Dai D6/542
- D626,365 S * 11/2010 Yang D6/542
- D659,452 S * 5/2012 Yang D6/542
- D660,061 S * 5/2012 Fernandes D6/542
- D661,531 S * 6/2012 Tompkin D6/542
- D663,983 S * 7/2012 Yang D6/542
- D674,636 S * 1/2013 Yang D6/542
- D690,130 S * 9/2013 Clough D6/542
- D690,131 S * 9/2013 Clough D6/542
- D693,597 S * 11/2013 Yang D6/542
- D699,047 S * 2/2014 Lissoni D6/542
- D699,475 S * 2/2014 Yang D6/542
- D727,653 S * 4/2015 Bjerre-Poulsen D6/542
- D732,308 S * 6/2015 Enga D6/542
- D770,798 S * 11/2016 Yang D6/542
- D793,762 S * 8/2017 Yuan D6/542

(Continued)

Primary Examiner — David G Muller
Assistant Examiner — Nathan M Johnston

(57) **CLAIM**

The ornamental design for a liquid soap dispenser, as shown and described.

DESCRIPTION

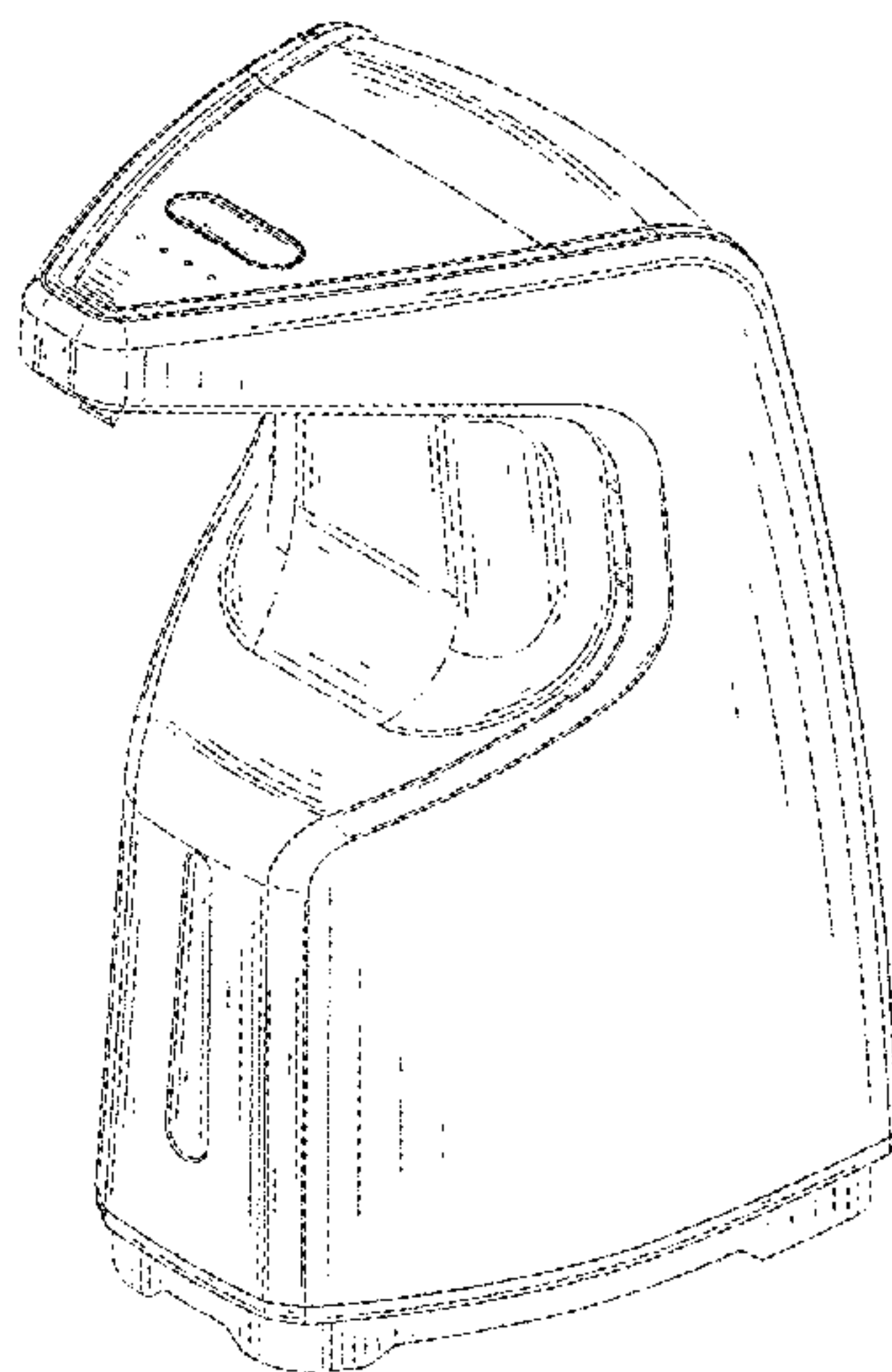
FIG. 1 is a perspective view of the liquid soap dispenser showing my new design;
FIG. 2 is a rear perspective view thereof;
FIG. 3 is a front elevational view thereof;
FIG. 4 is a rear elevational view thereof;
FIG. 5 is a left side elevational view thereof;
FIG. 6 is a right side elevational view thereof;
FIG. 7 is a top plan view thereof; and,
FIG. 8 is a bottom plan view thereof.
The broken lines are for the purposes of illustrating portions of the liquid soap dispenser and form no part of the claimed design.

1 Claim, 8 Drawing Sheets

(56) **References Cited**

U.S. PATENT DOCUMENTS

- D213,978 S * 4/1969 Flowers D6/543
- D241,592 S * 9/1976 Schick D6/543
- D426,413 S * 6/2000 Kreitemier D6/543
- D531,440 S * 11/2006 Lo D6/542
- D531,845 S * 11/2006 Christianson D6/542



(56)

References Cited

U.S. PATENT DOCUMENTS

D818,741 S * 5/2018 Yang D6/542
2015/0238053 A1 * 8/2015 Yang A47K 5/1217
222/23

* cited by examiner

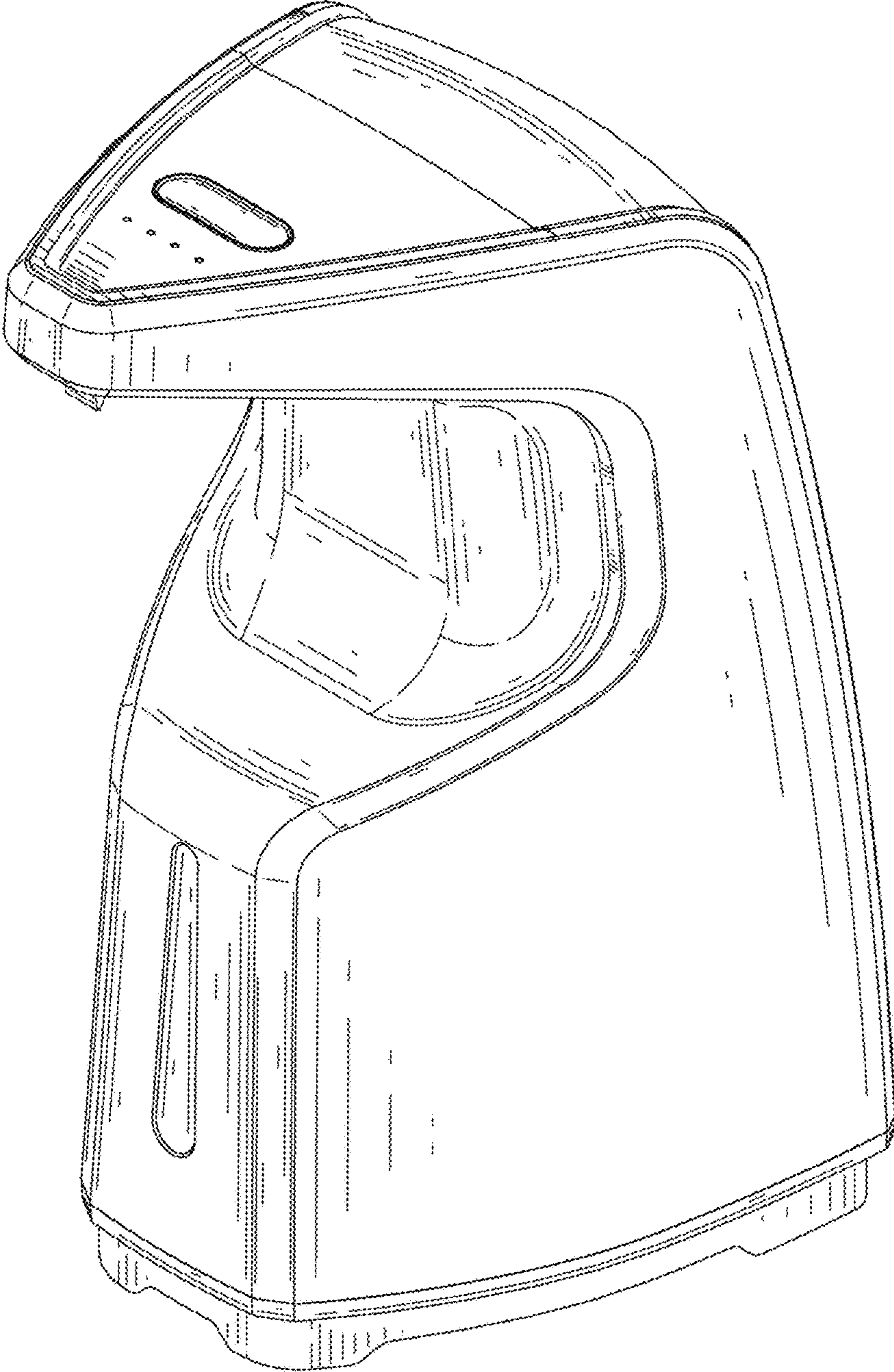


FIG. 1

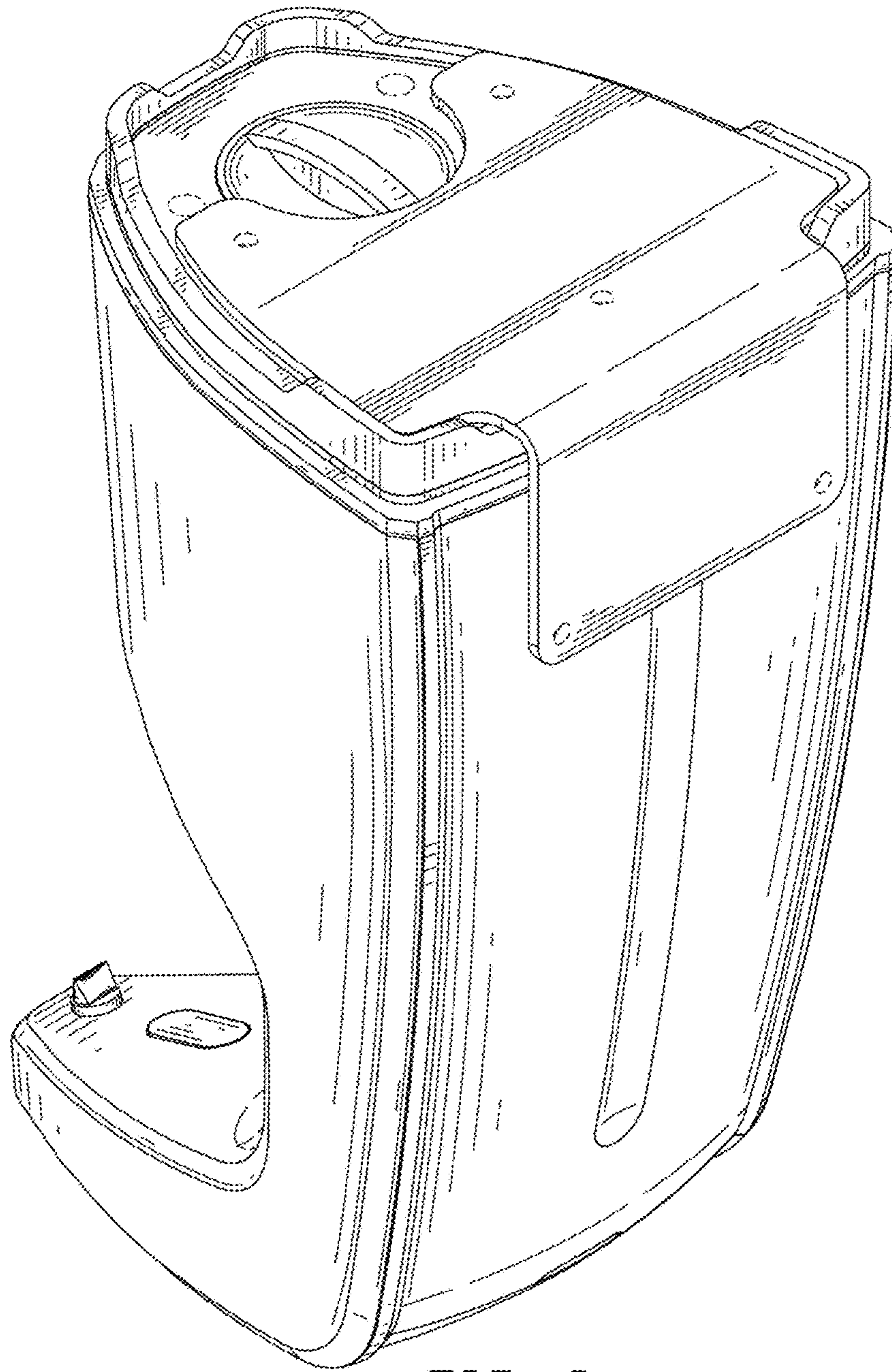


FIG. 2

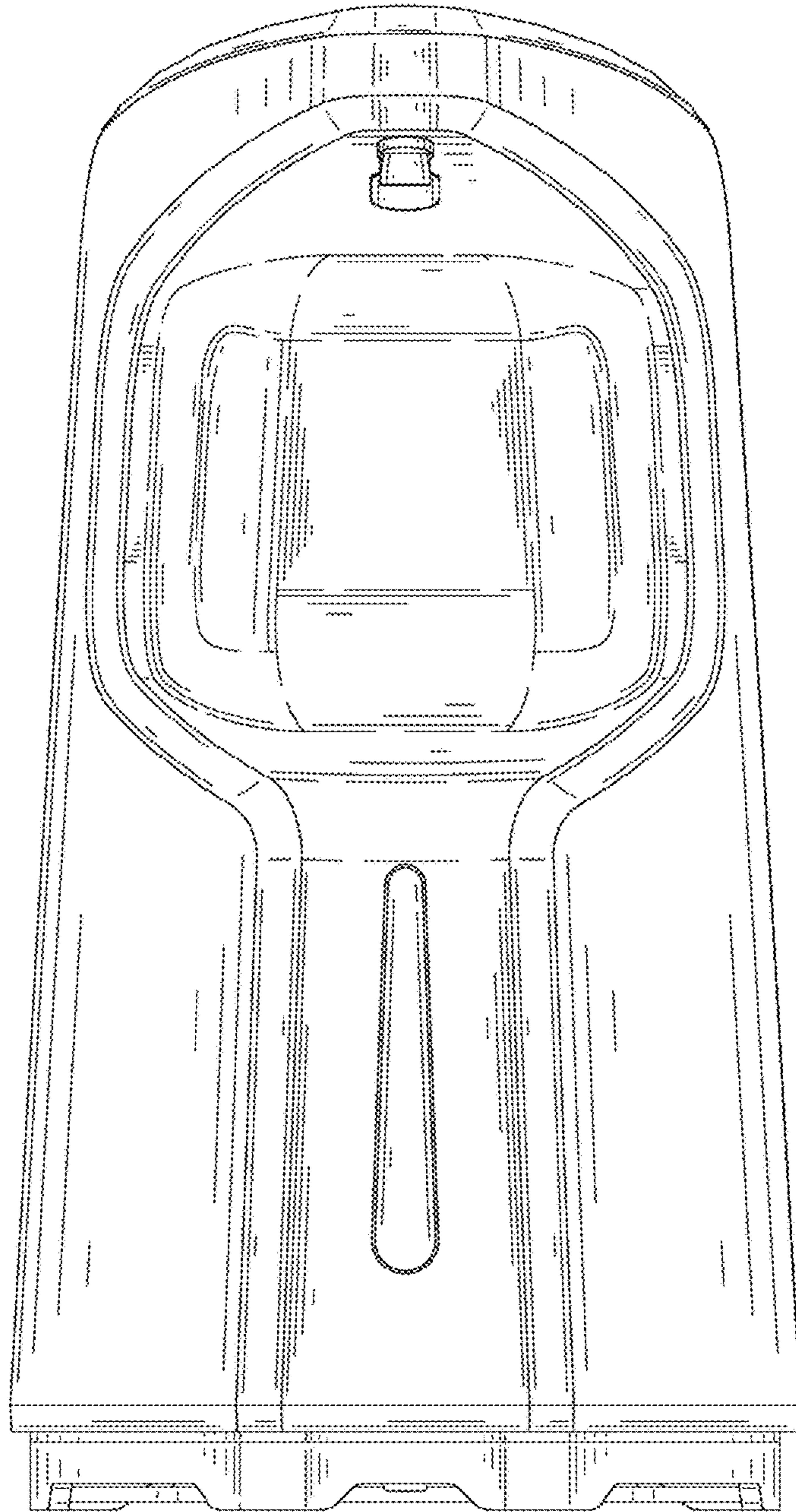


FIG. 3

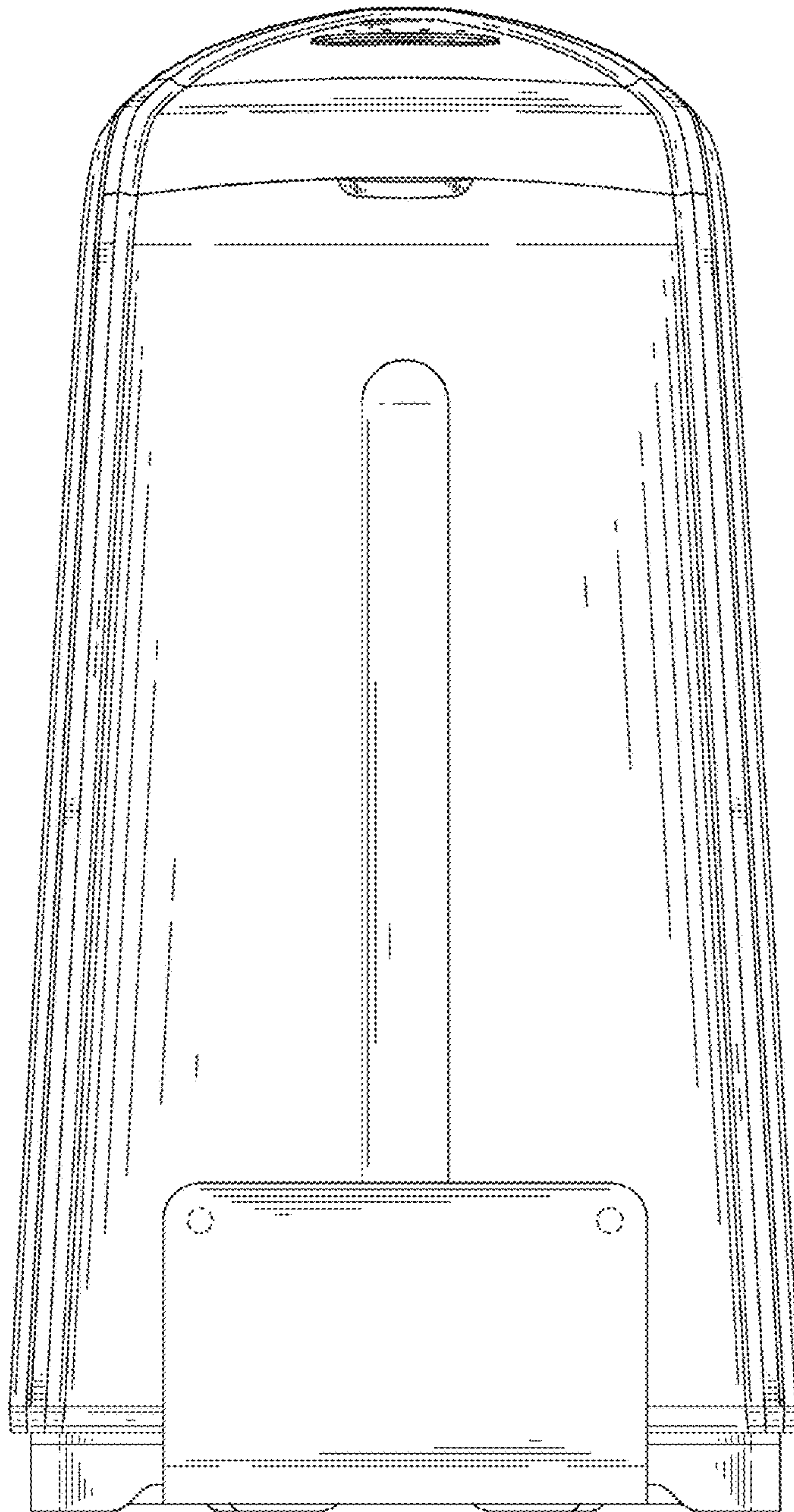


FIG. 4

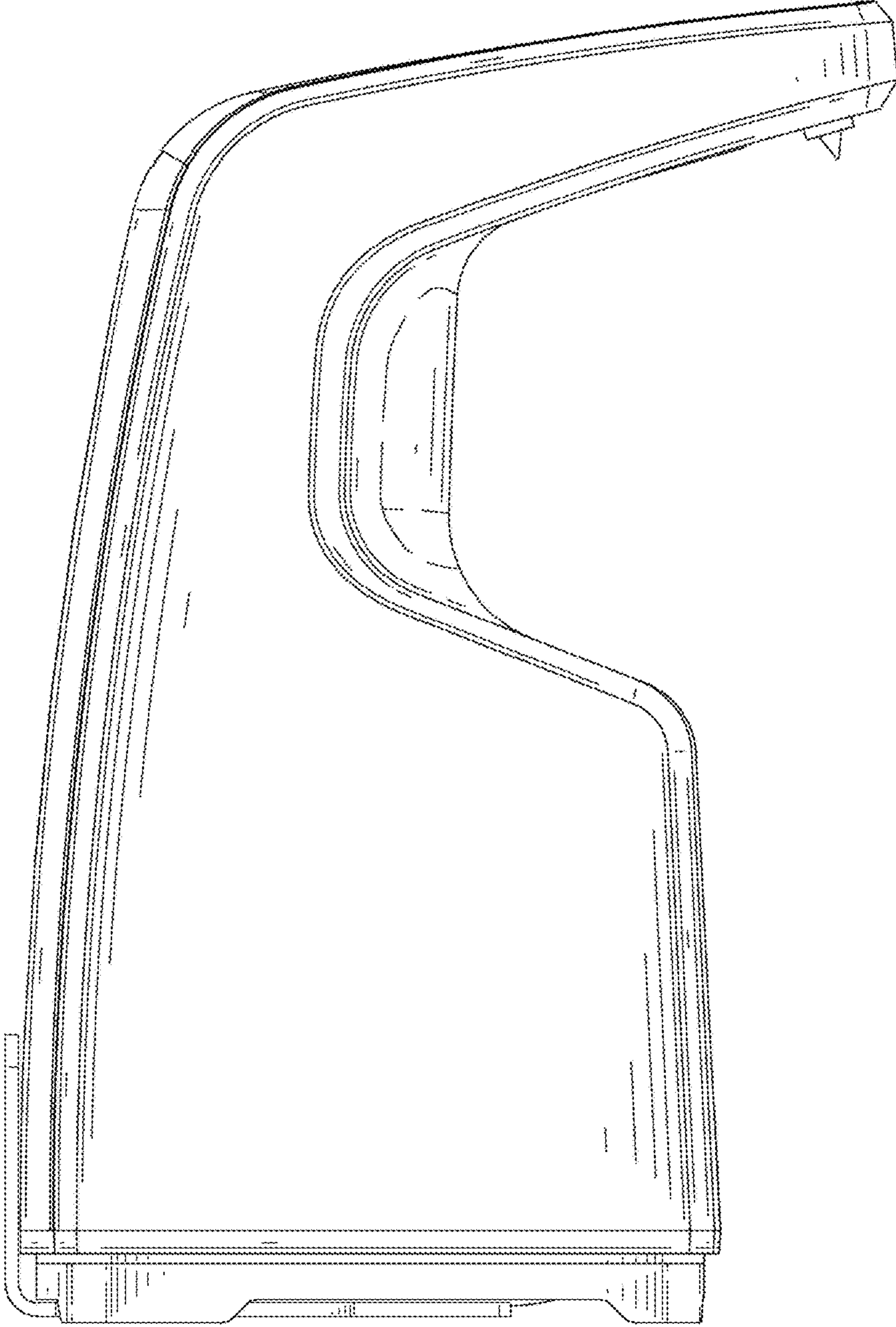


FIG. 5

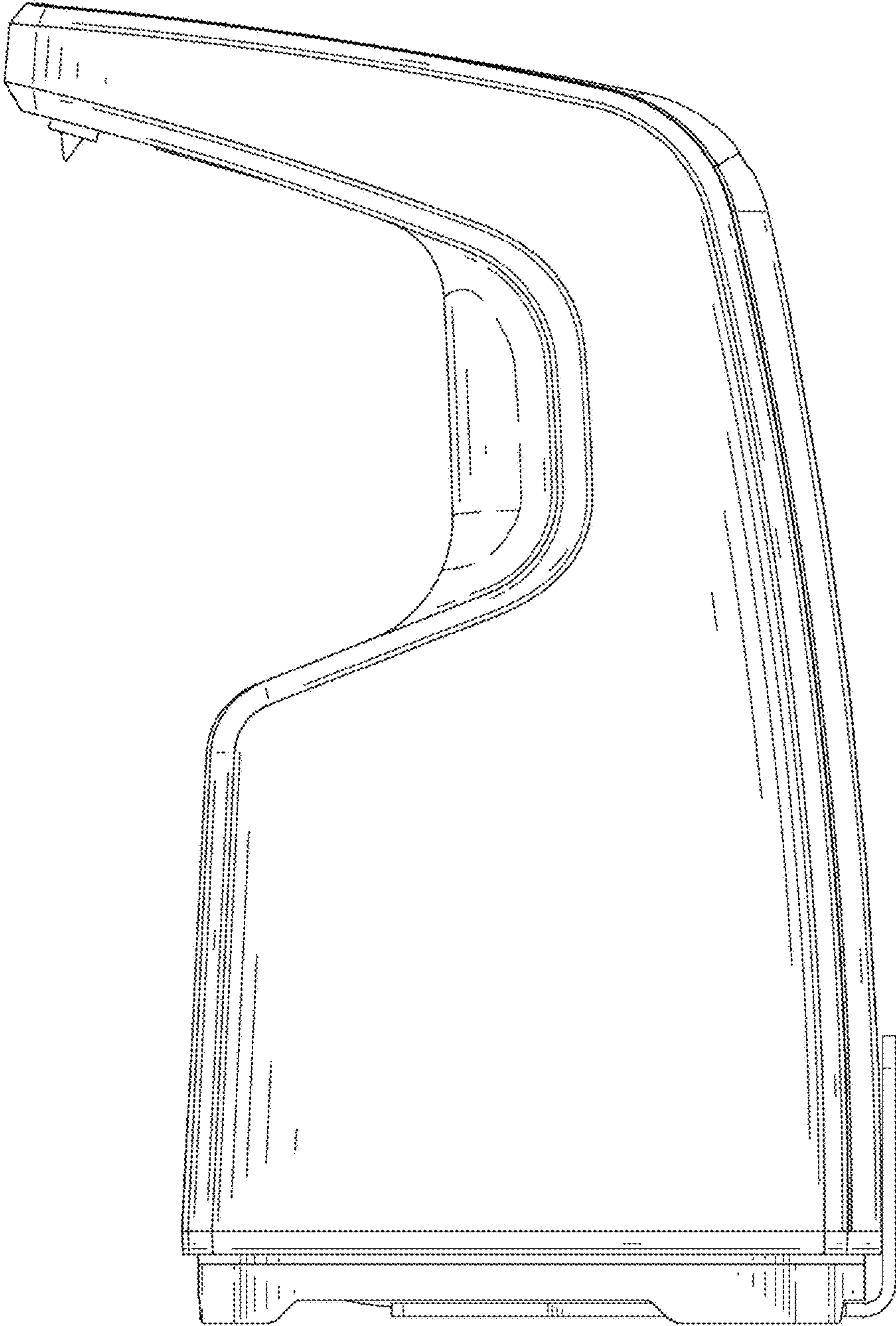


FIG. 6

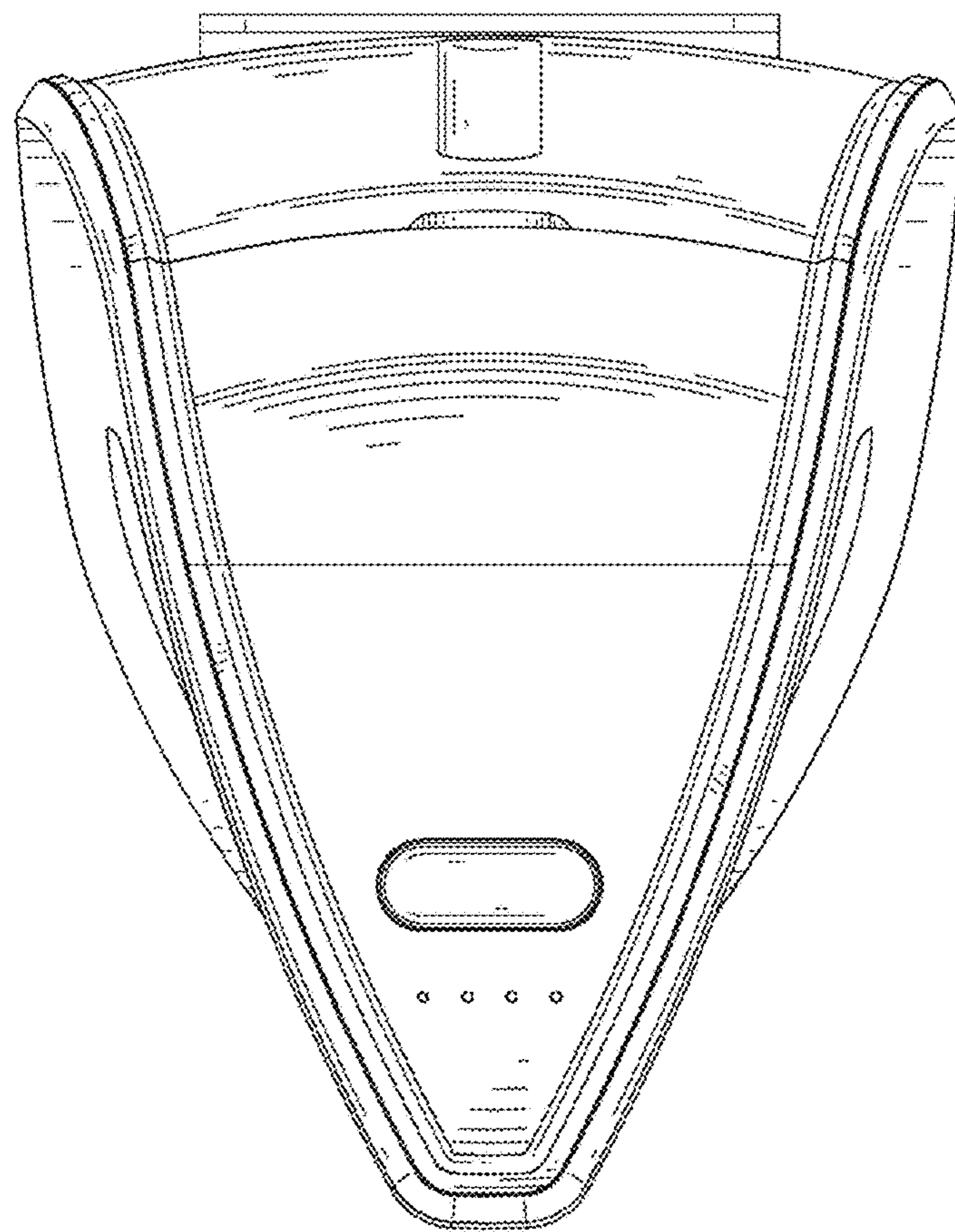


FIG. 7

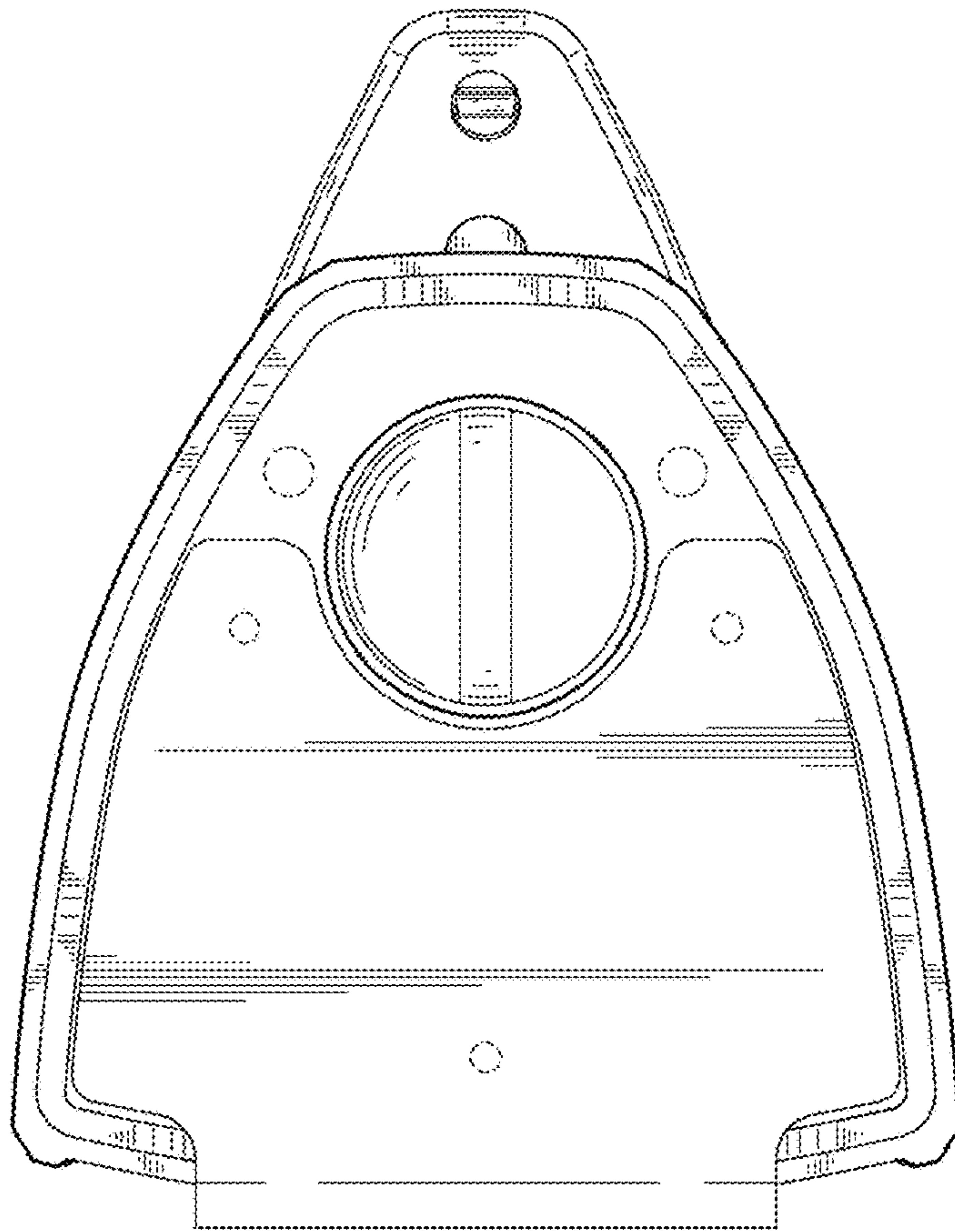


FIG. 8