



US00D847530S

(12) **United States Design Patent**
Tuang

(10) **Patent No.:** **US D847,530 S**

(45) **Date of Patent:** **** May 7, 2019**

(54) **HANGING SHELF**

D501,106 S * 1/2005 Suero, Jr. D6/514
D627,969 S * 11/2010 Klein D6/514
D708,864 S * 7/2014 Goodman D6/514

(71) Applicant: **EP Family Corp.**, Walnut, CA (US)

* cited by examiner

(72) Inventor: **Bao-Yi Tuang**, Walnut, CA (US)

Primary Examiner — Wan Laymon

(**) Term: **15 Years**

Assistant Examiner — Mark Booker

(21) Appl. No.: **29/622,490**

(74) *Attorney, Agent, or Firm* — Tommy SF Wang; Wang IP Law Group, P.C.

(22) Filed: **Oct. 17, 2017**

(57) **CLAIM**

(51) **LOC (11) Cl.** **06-04**

The ornamental design for a hanging shelf, as shown and described.

(52) **U.S. Cl.**

DESCRIPTION

USPC **D6/514**

(58) **Field of Classification Search**

USPC D6/514, 512–513, 553, 566, 567, 569,
D6/315, 320, 327; D8/349, 354, 367,
D8/372; 248/301–304; 211/13.1, 30, 32,
211/70.6, 56.01, 87.01, 181.1; D28/18
CPC A47K 17/00; A47K 3/281; B23P 17/04;
A47B 57/265; A47B 57/565; A47B 57/26
See application file for complete search history.

FIG. 1 is a perspective view of a hanging shelf showing my new design;
FIG. 2 is a front view thereof;
FIG. 3 is a rear view thereof;
FIG. 4 is a left side view thereof;
FIG. 5 is a right side view thereof;
FIG. 6 is a top view thereof; and,
FIG. 7 is a bottom view thereof.

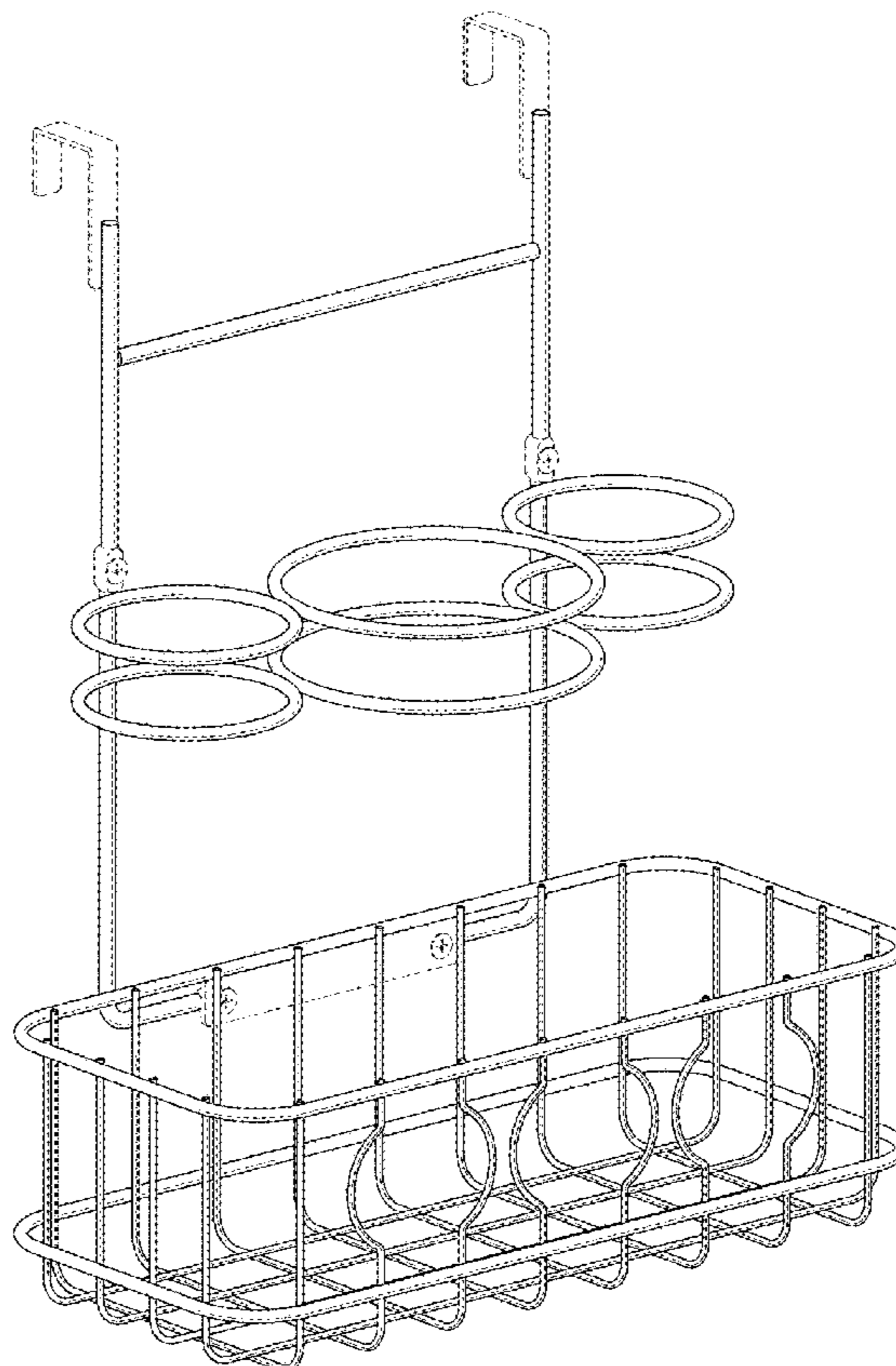
(56) **References Cited**

The broken line portions of the hanging shelf in FIGS. 1-7 represent unclaimed portions of the claimed design and form no part thereof.

U.S. PATENT DOCUMENTS

D400,037 S * 10/1998 Bartholow D6/566
D497,688 S * 10/2004 Issa D28/18

1 Claim, 6 Drawing Sheets



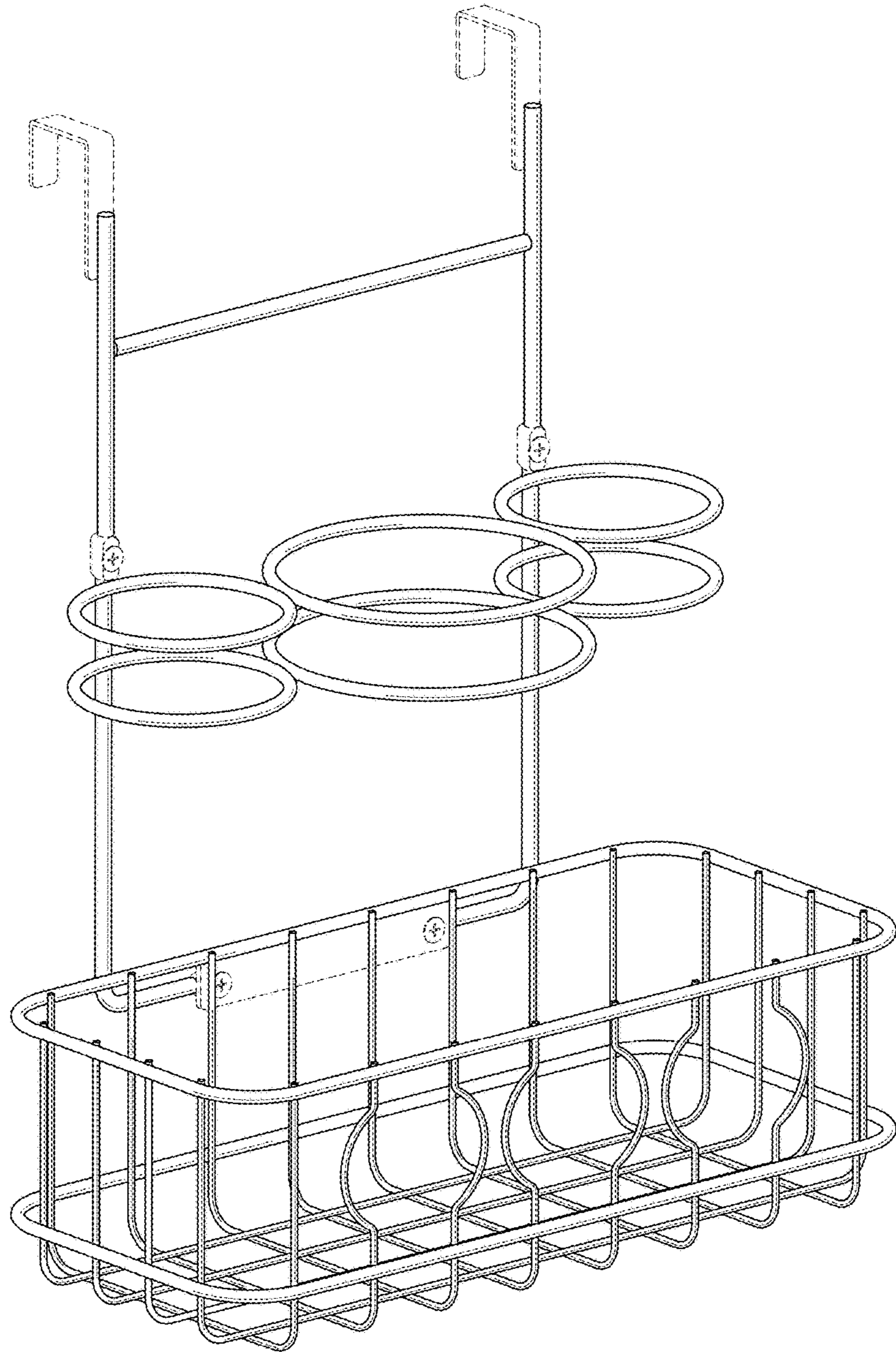


FIG. 1

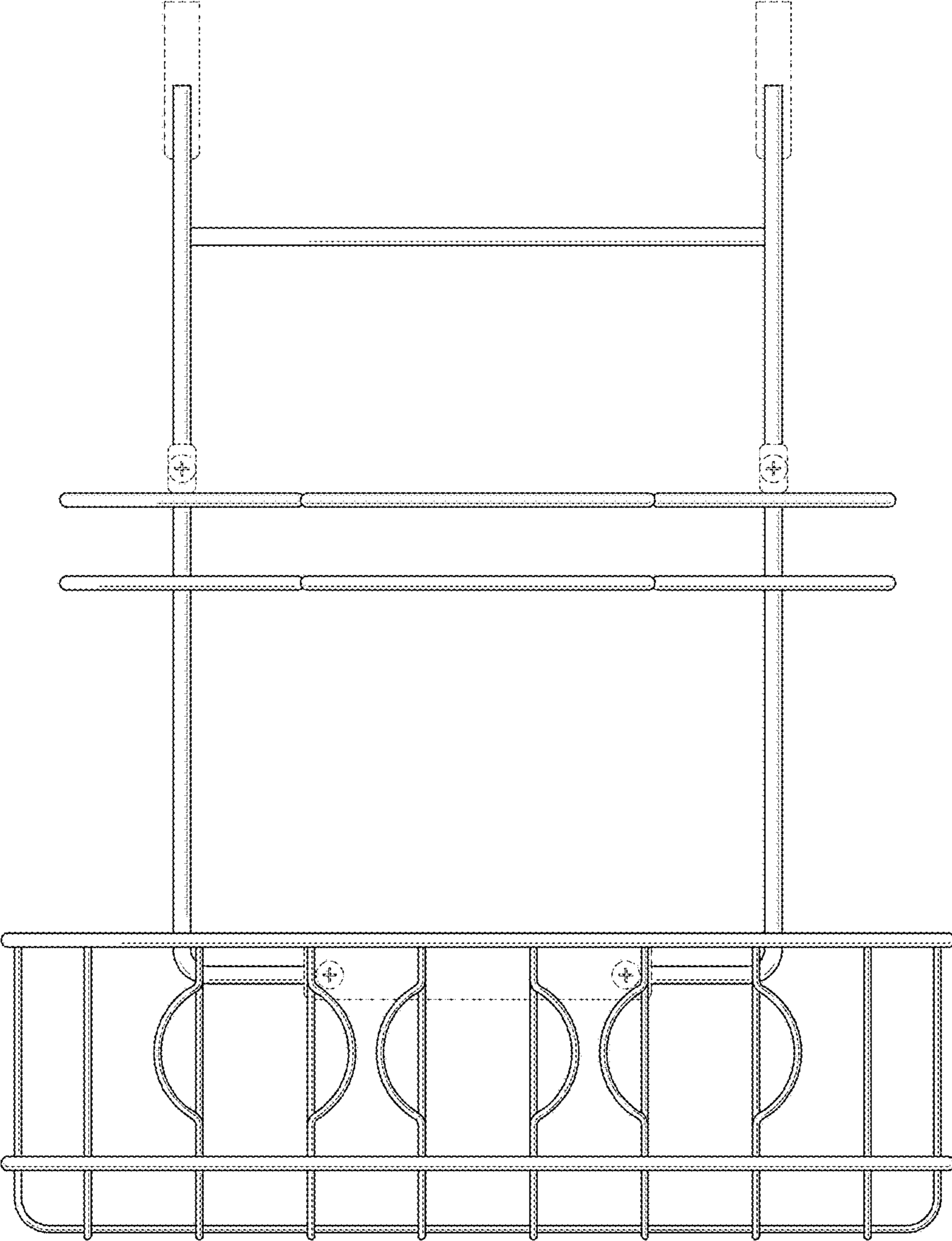


FIG. 2

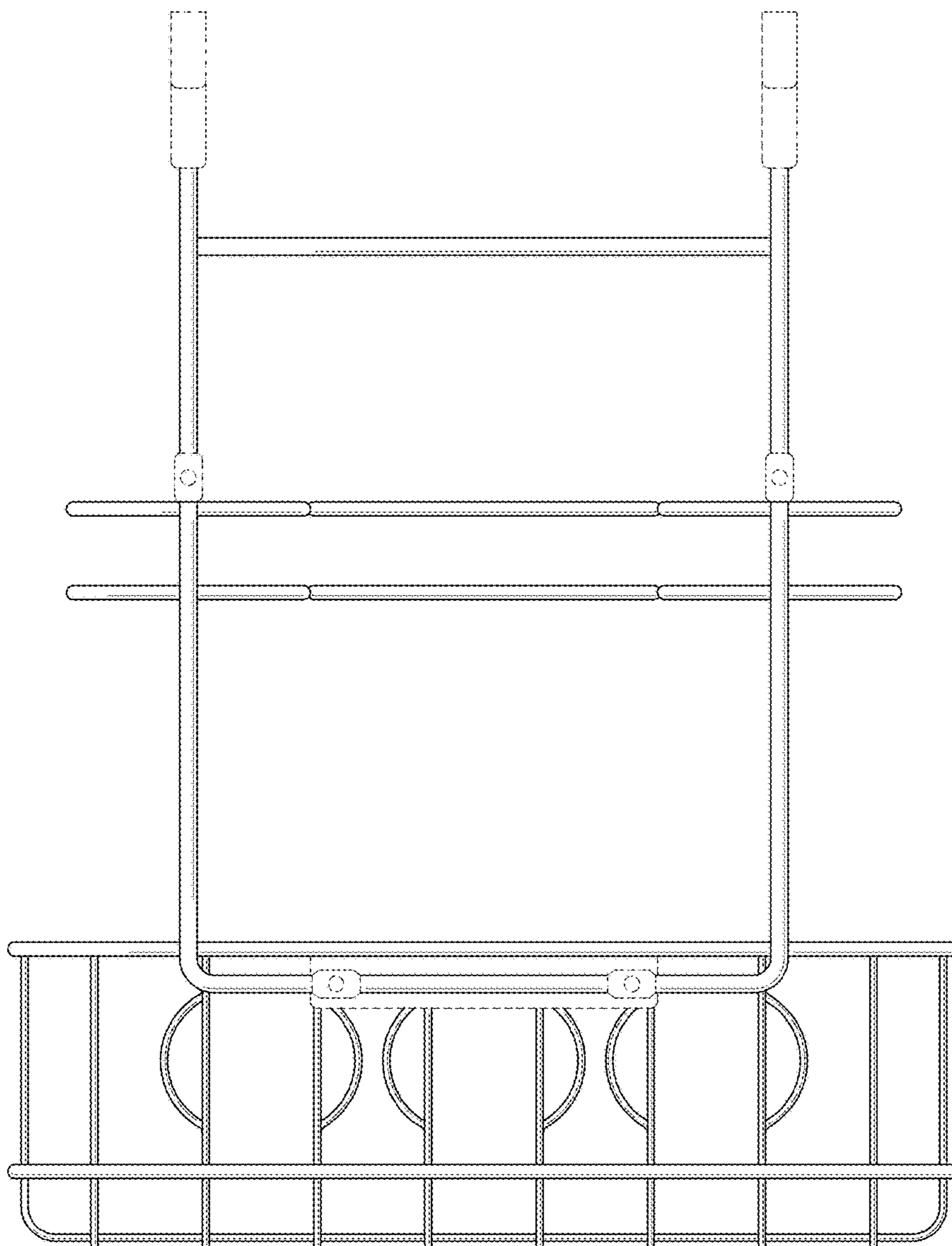


FIG. 3

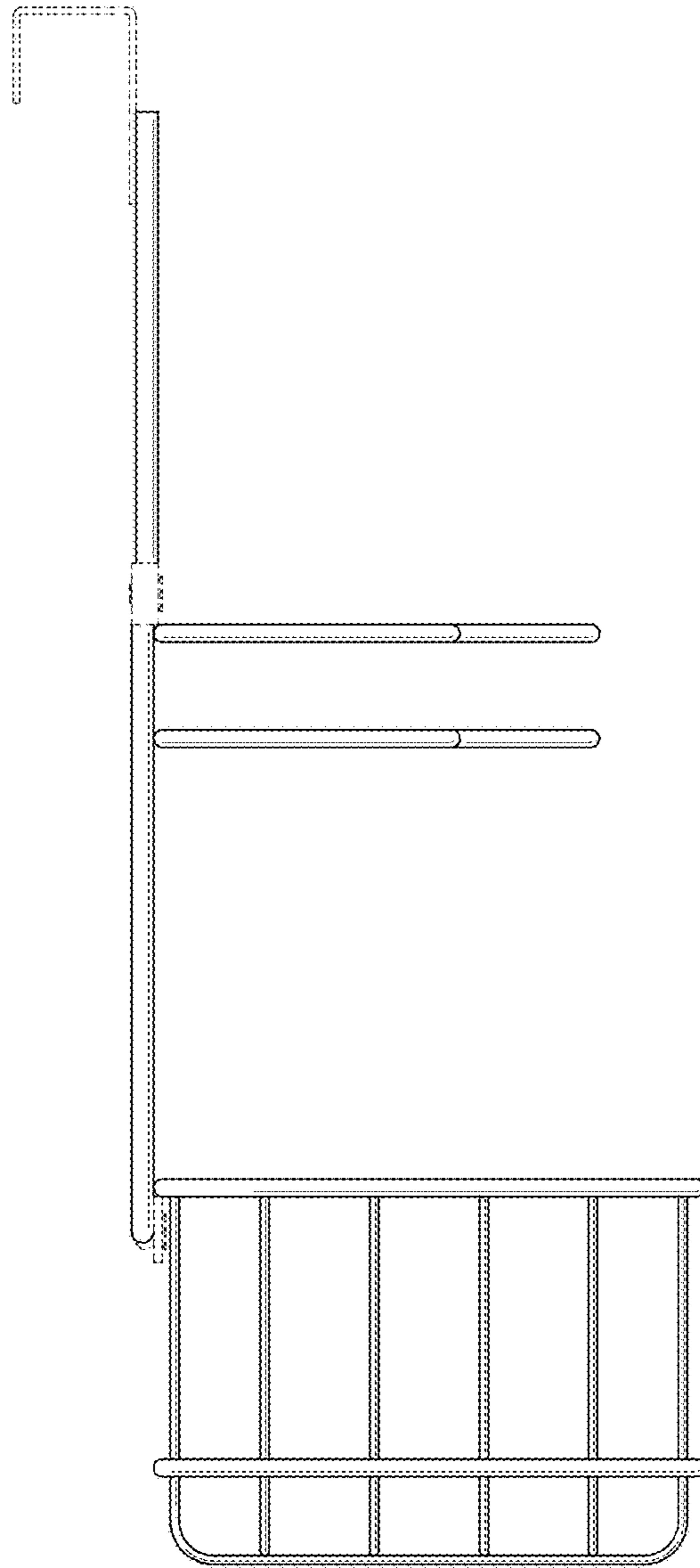


FIG. 4

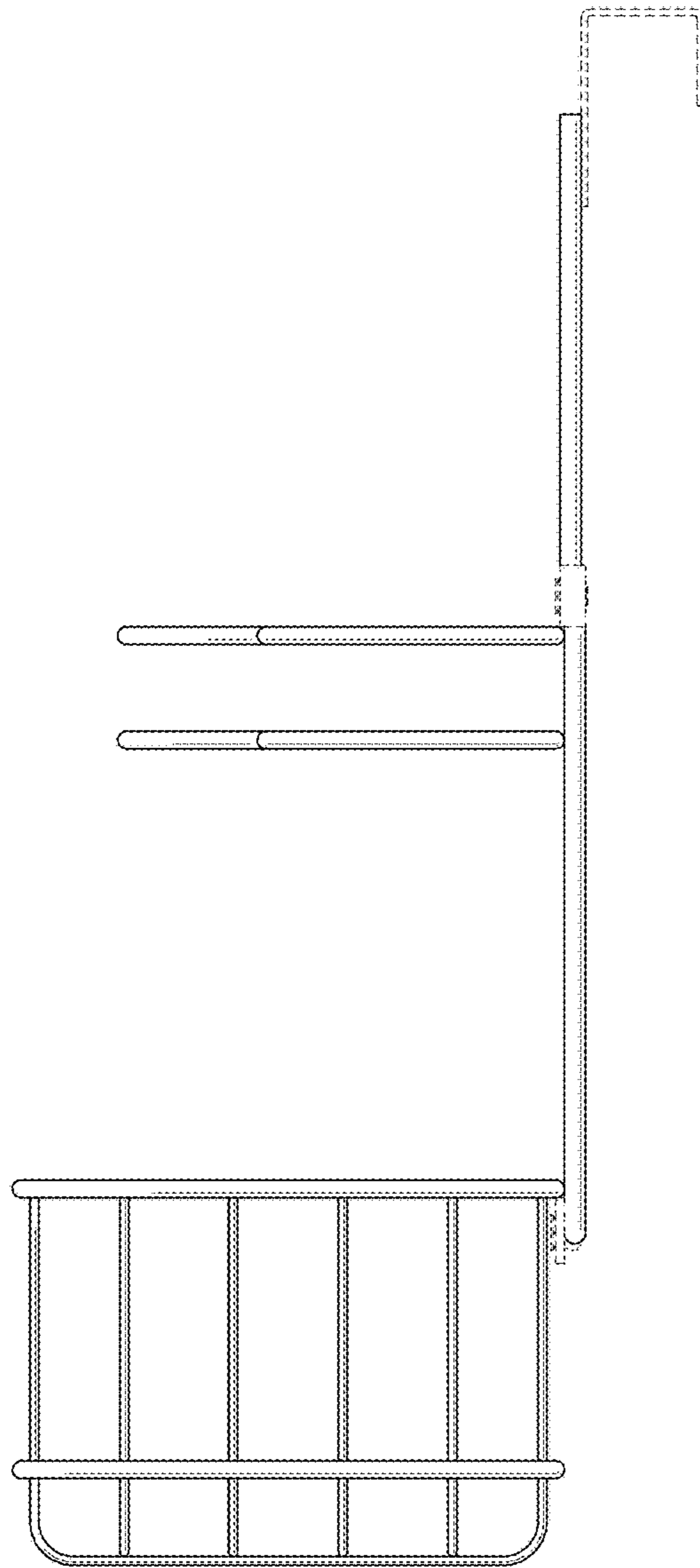


FIG. 5

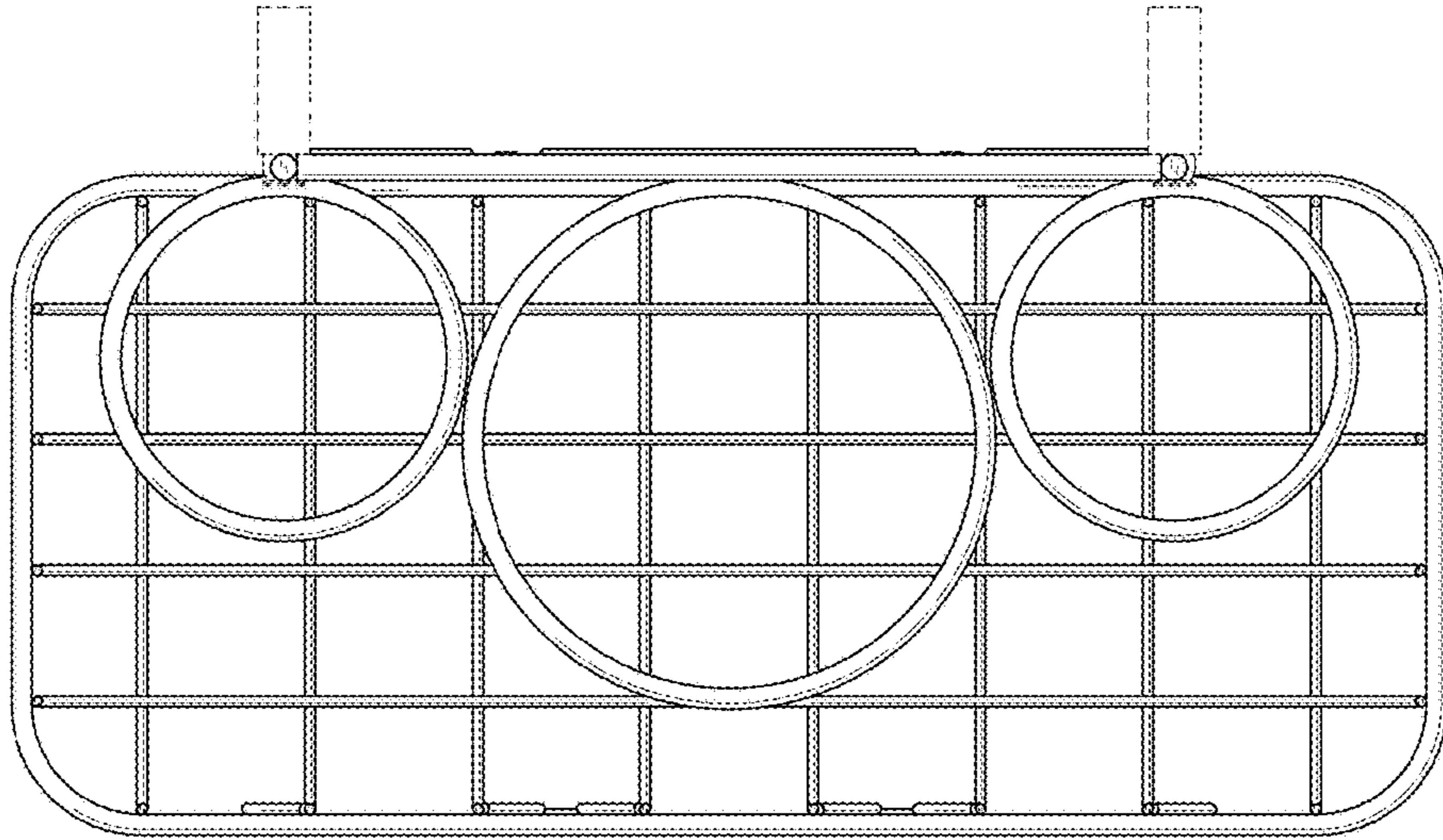


FIG. 6

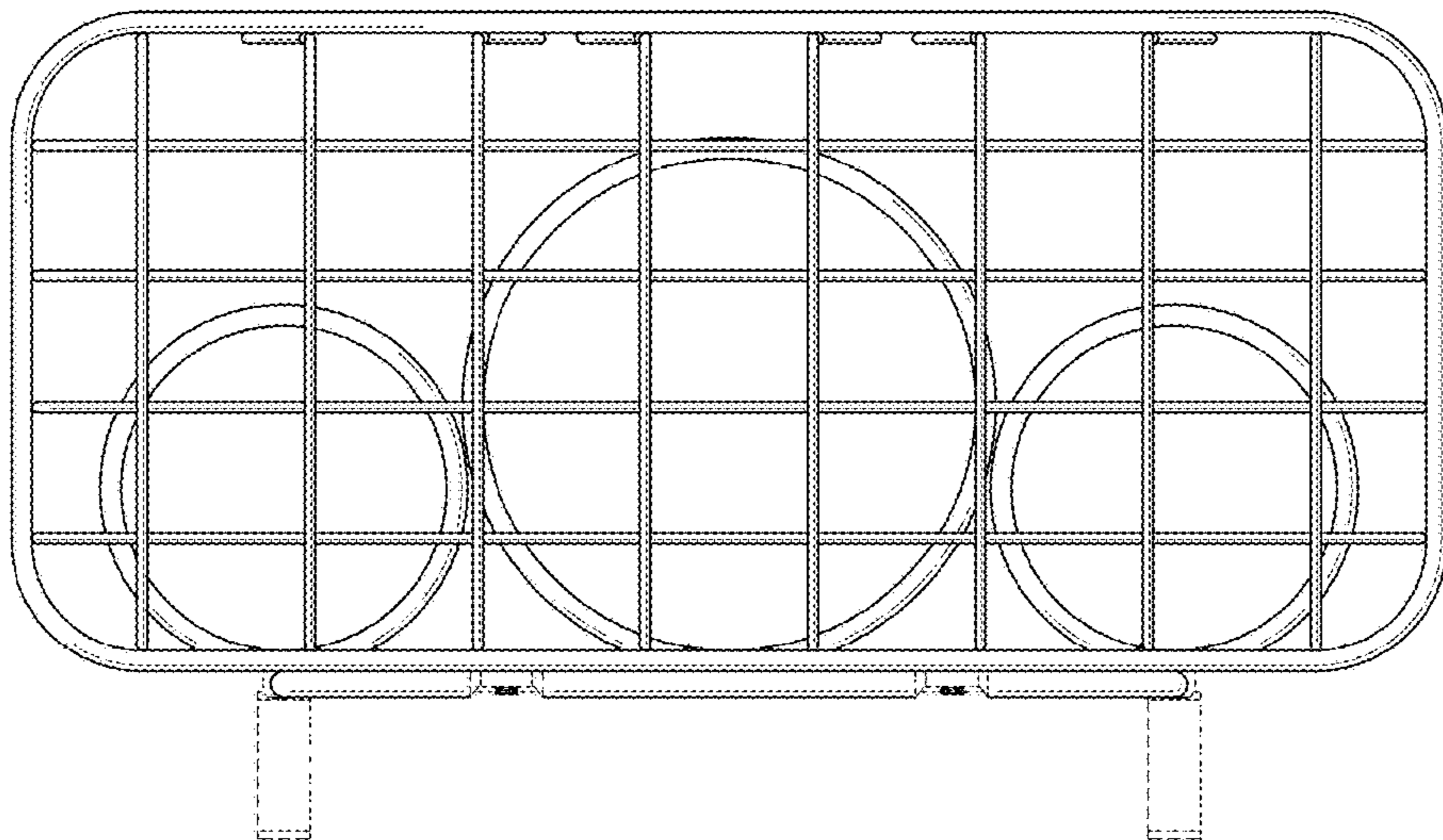


FIG. 7