



US00D847529S

(12) **United States Design Patent** (10) **Patent No.:** **US D847,529 S**
Altemimei (45) **Date of Patent:** **** May 7, 2019**

(54) **BED FRAME**

(71) Applicant: **DA International, Inc.**, Orland Park, IL (US)

(72) Inventor: **Raad Altemimei**, Orland Park, IL (US)

(73) Assignee: **DA International, Inc.**, Orland Park, IL (US)

(**) Term: **15 Years**

(21) Appl. No.: **29/592,562**

(22) Filed: **Jan. 31, 2017**

(51) **LOC (11) Cl.** **06-02**

(52) **U.S. Cl.**
 USPC **D6/393**

(58) **Field of Classification Search**
 USPC D6/382-384, 393-395, 718.13, 718.14, D6/718.21, 718.22
 CPC A47C 19/00; A47C 19/02; A47C 19/021; A47C 19/022

See application file for complete search history.

| | | |
|--------------|---------|-----------------|
| 3,813,800 A | 6/1974 | Turner et al. |
| D240,547 S | 7/1976 | Stanley et al. |
| 4,070,780 A | 1/1978 | Rosenberg |
| 4,136,470 A | 1/1979 | Barz |
| 4,833,803 A | 5/1989 | Schwartz |
| 5,361,522 A | 11/1994 | Green |
| 5,524,370 A | 6/1996 | Roy |
| 5,659,991 A | 8/1997 | Kennedy |
| D386,383 S | 11/1997 | Lougee |
| 5,732,496 A | 3/1998 | Tanaka |
| D393,162 S | 4/1998 | Bargagli-Stoffi |
| D441,576 S | 5/2001 | Foster |
| D455,640 S | 4/2002 | Hansen |
| 6,532,778 B2 | 3/2003 | Molzer et al. |

(Continued)

Primary Examiner — Cathron C Brooks
 (74) *Attorney, Agent, or Firm* — Greensfelder, Hemker & Gale, P.C.

(57) **CLAIM**

I claim the ornamental design for a bed frame, as shown and described.

DESCRIPTION

FIG. 1 is a perspective view of the bed frame in accordance with the present invention;
 FIG. 2 is a front plan view of a bed frame of FIG. 1;
 FIG. 3 is a first side plan view of the bed frame of FIG. 1;
 FIG. 4 is a top plan view of the bed frame of FIG. 1;
 FIG. 5 is a second side plan view of the bed frame of FIG. 1;
 FIG. 6 is a bottom plan view of the bed frame of FIG. 1; and,
 FIG. 7 is an enlarged view of the area 7-7 of FIG. 2.

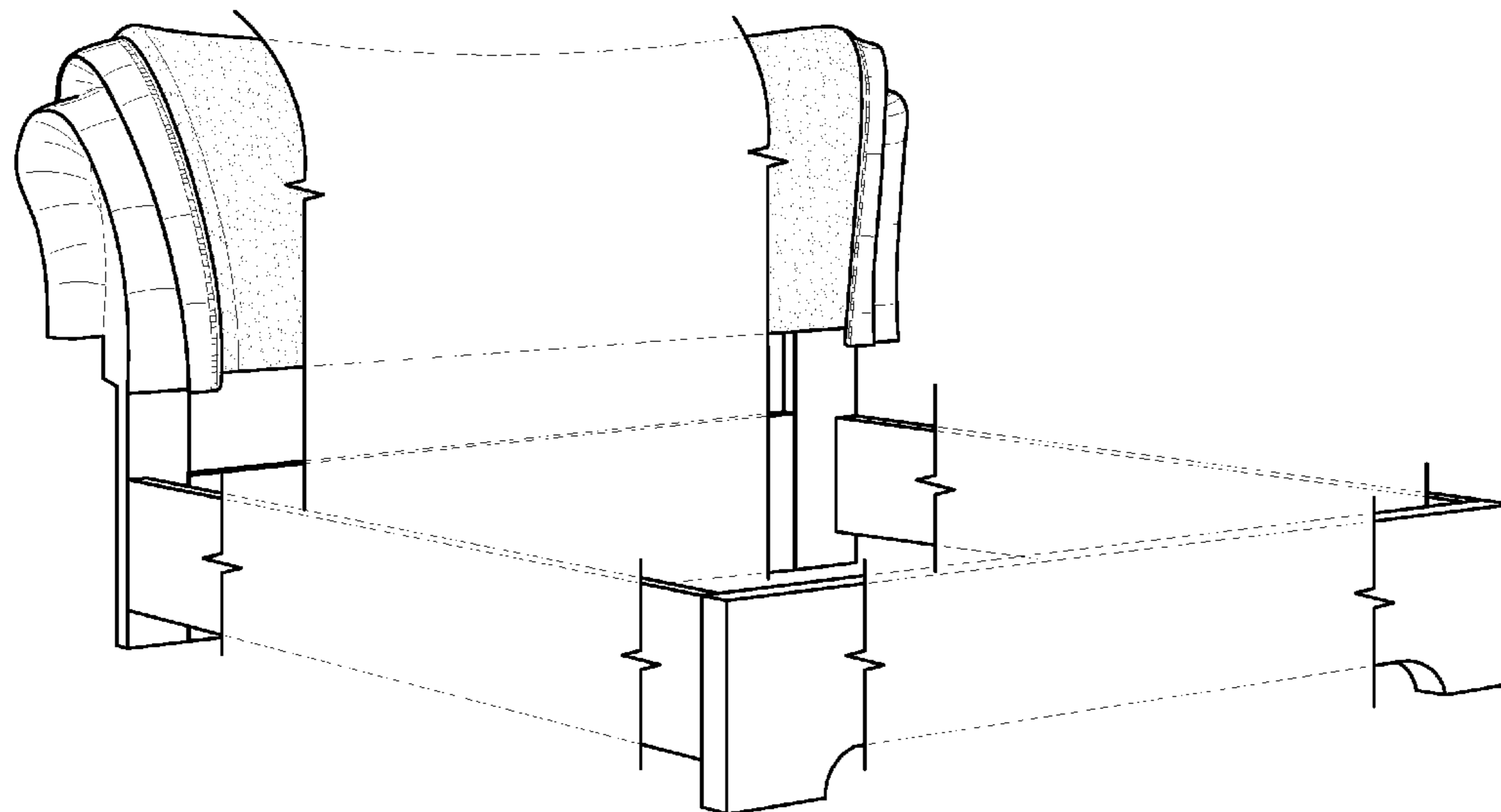
The broken lines in the drawings illustrate portions of the bed frame that form no part of the claimed design. The symbolic break lines in the drawings indicate that the appearance of any portion between the break lines forms no part of the claimed design.

1 Claim, 6 Drawing Sheets

(56) **References Cited**

U.S. PATENT DOCUMENTS

| | | | |
|--------------|---------|-------------|--------|
| D3,074 S | 6/1868 | Howell | |
| D99,046 S | 3/1936 | Rettich | |
| D103,694 S | 3/1937 | Schless | |
| D139,338 S | 11/1944 | George | |
| D149,378 S | 4/1948 | Rummelsburg | |
| D160,571 S * | 10/1950 | Belanger | D6/393 |
| 2,601,734 A | 7/1952 | Couzinet | |
| D173,938 S | 2/1955 | Dailey | |
| 2,717,505 A | 9/1955 | Andersson | |
| 2,799,145 A | 7/1957 | Jansen | |
| D194,782 S | 3/1963 | Watt, Jr. | |
| D199,051 S | 9/1964 | Stone | |
| 3,159,416 A | 12/1964 | Schlage | |
| D201,987 S | 8/1965 | Webster | |



(56)

References Cited

U.S. PATENT DOCUMENTS

| | | | | |
|--------------|-----|---------|---------------------|-----------------|
| D492,502 | S | 7/2004 | Domack | |
| D497,098 | S | 10/2004 | Magnusson | |
| D521,768 | S | 5/2006 | Black | |
| D527,926 | S * | 9/2006 | Domack | D6/393 |
| D554,388 | S | 11/2007 | Leigh | |
| D567,061 | S | 4/2008 | Paige et al. | |
| D578,373 | S | 10/2008 | Paige et al. | |
| D581,767 | S | 12/2008 | Thompson | |
| D586,162 | S * | 2/2009 | Schmitt | D6/718.19 |
| D625,165 | S | 10/2010 | King | |
| D631,272 | S | 1/2011 | O'Brien et al. | |
| D632,112 | S | 2/2011 | Sakuma | |
| D674,630 | S | 1/2013 | Schmitt | |
| D675,848 | S | 2/2013 | Roser, Jr. | |
| D691,019 | S | 10/2013 | Sakuma | |
| D702,473 | S | 4/2014 | Litt | |
| D720,981 | S | 1/2015 | Kaishian et al. | |
| D734,052 | S | 7/2015 | Glattstein et al. | |
| D734,053 | S | 7/2015 | Glattstein et al. | |
| D771,428 | S * | 11/2016 | Schmitt | D6/718.13 |
| D772,631 | S * | 11/2016 | Schmitt | D6/718.24 |
| D785,706 | S | 5/2017 | Hoch et al. | |
| D790,890 | S | 7/2017 | Everson et al. | |
| 2005/0129460 | A1 | 6/2005 | Medcalf et al. | |
| 2008/0259573 | A1 | 10/2008 | Besserer et al. | |
| 2009/0079311 | A1 | 3/2009 | Lai | |
| 2010/0043268 | A1 | 2/2010 | Powell | |
| 2015/0272350 | A1 | 10/2015 | Frankenstein et al. | |

* cited by examiner

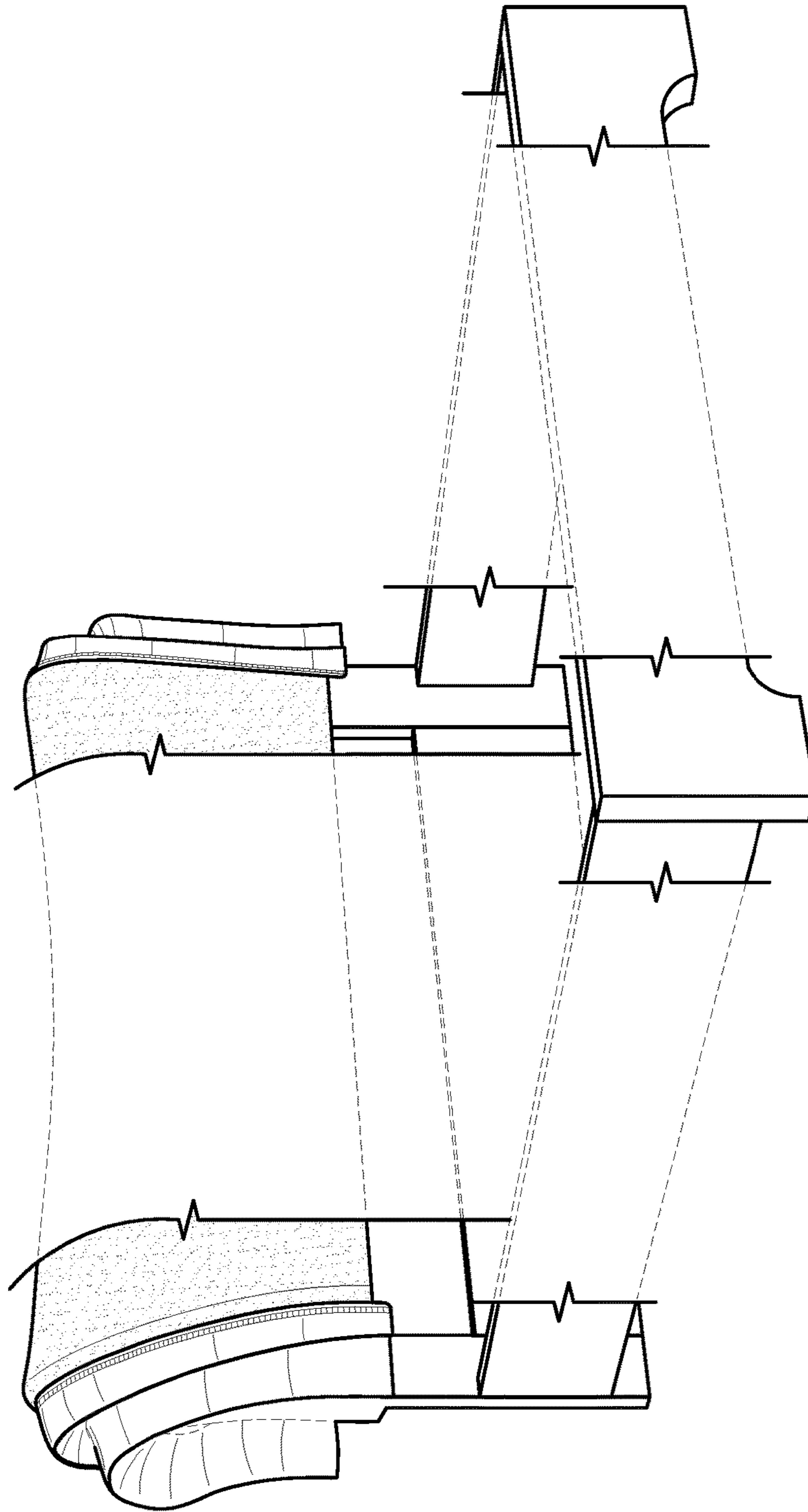


FIG. 1

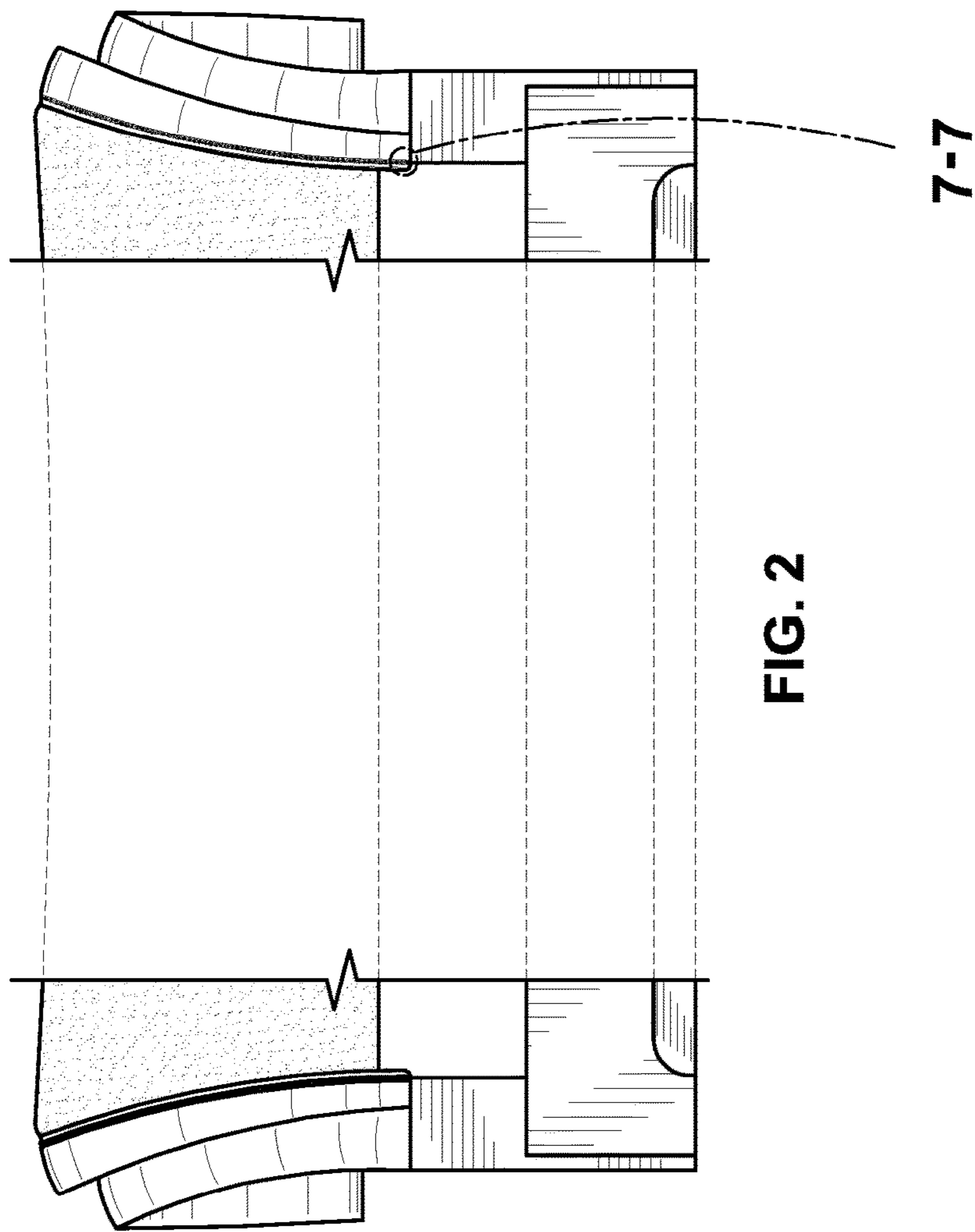


FIG. 2

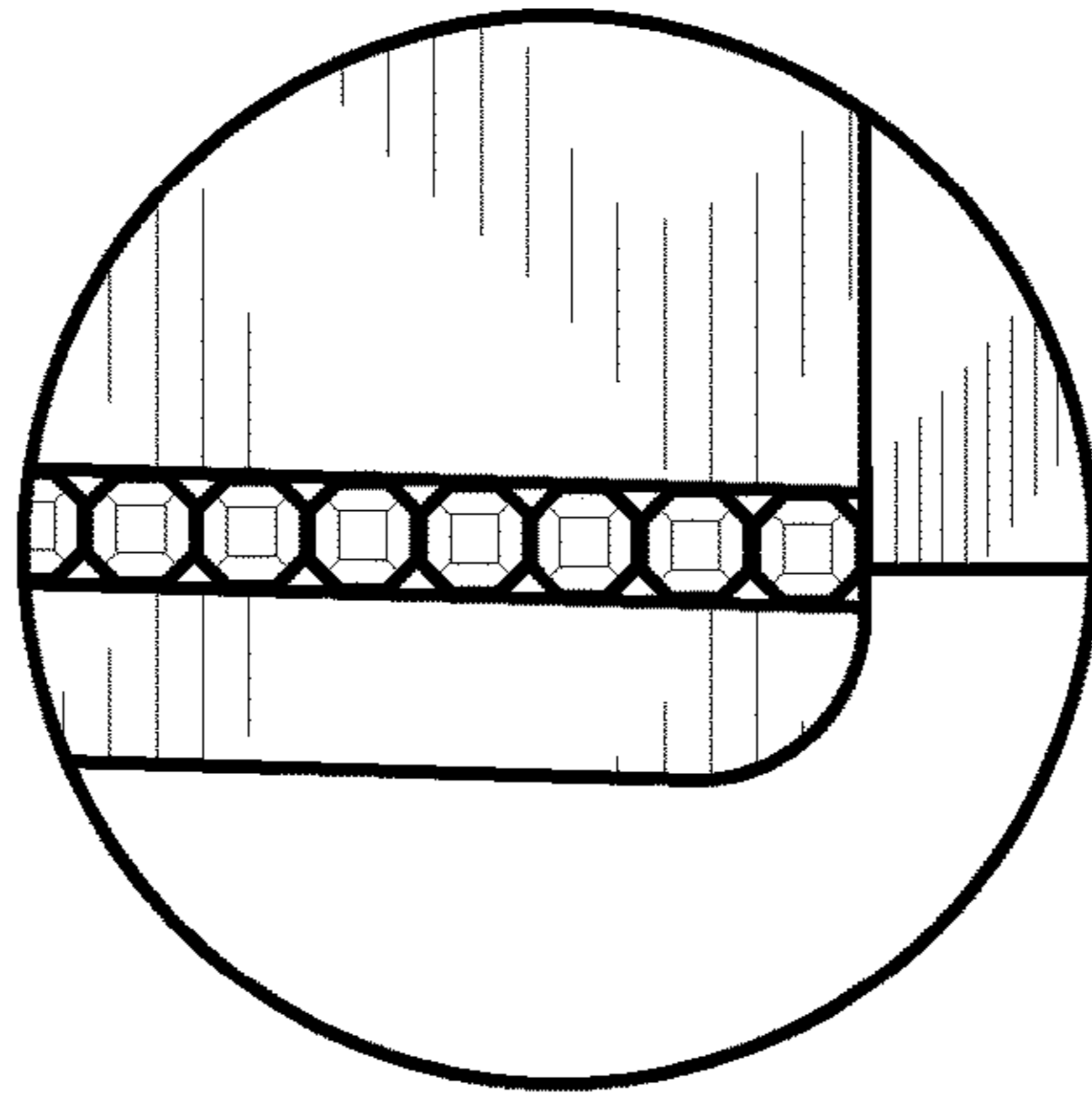


FIG. 7

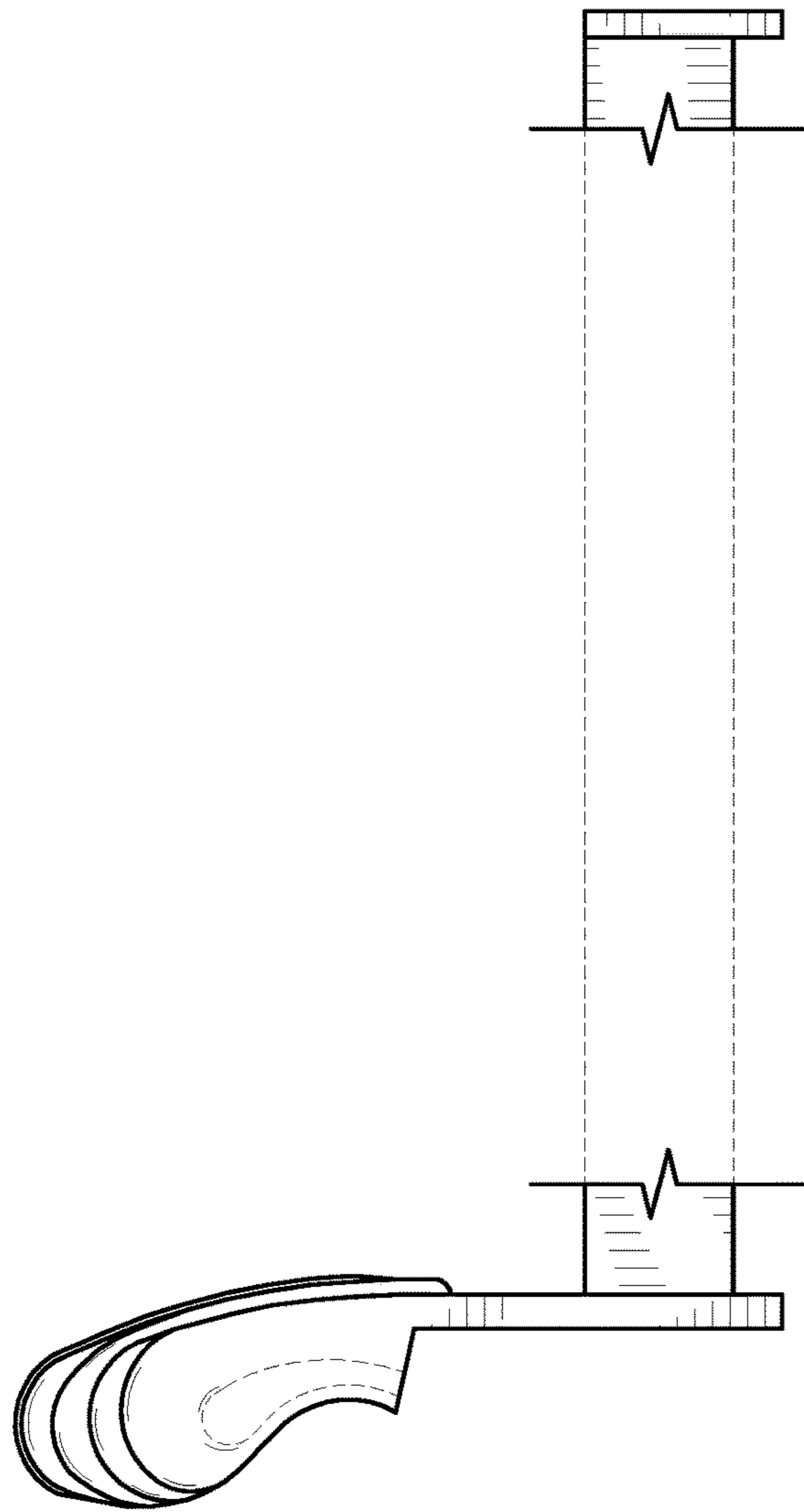


FIG. 3

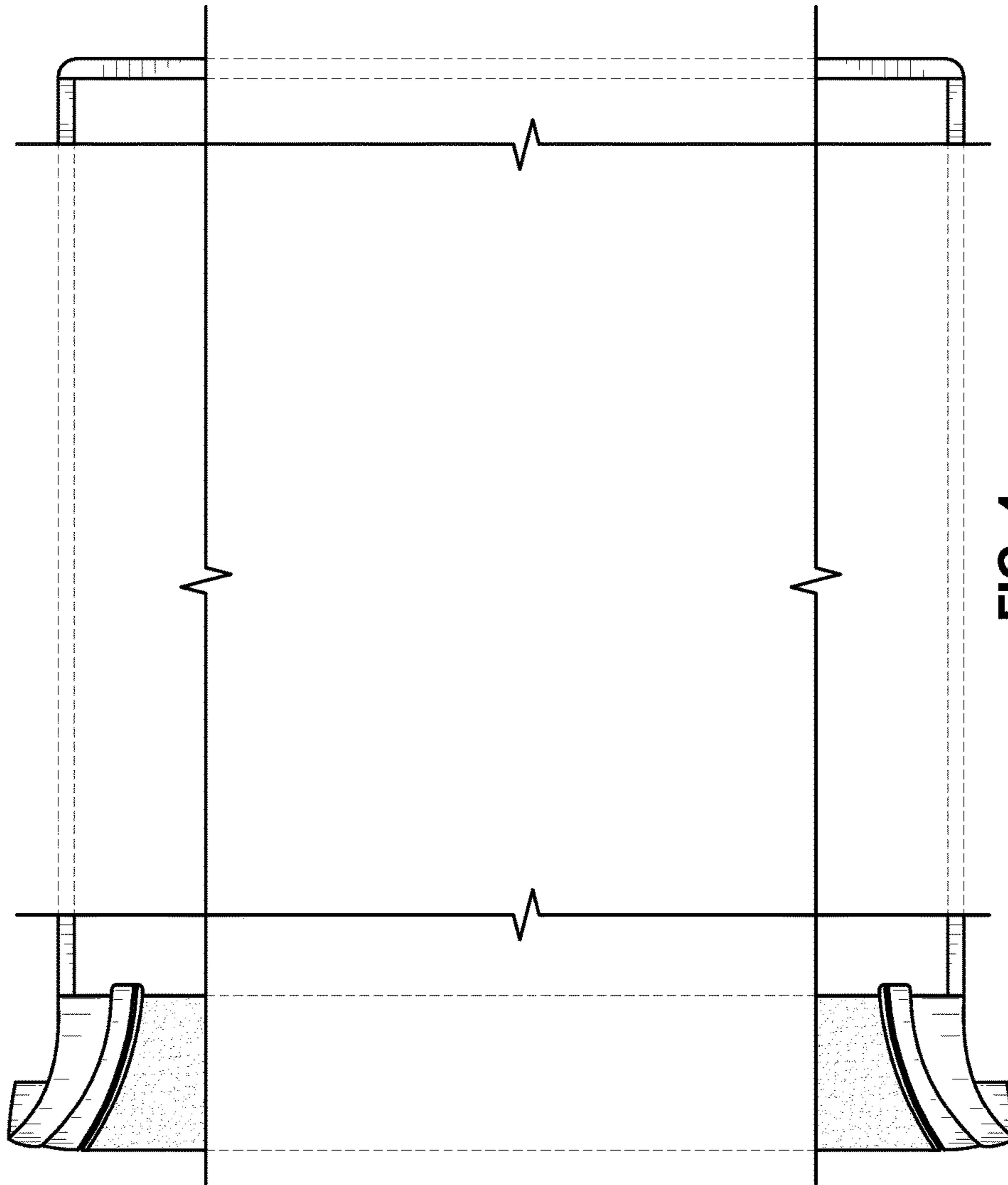


FIG. 4

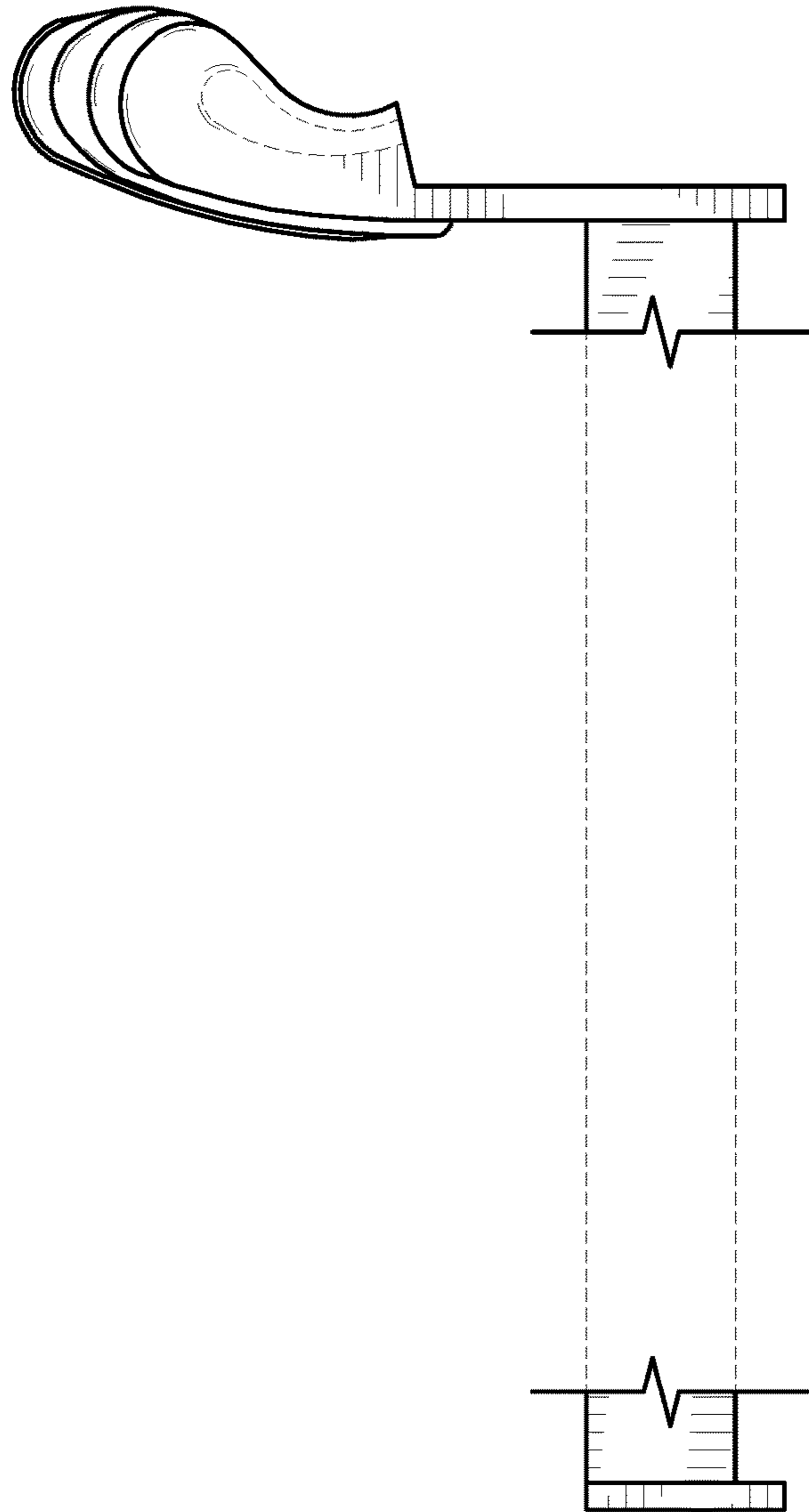


FIG. 5

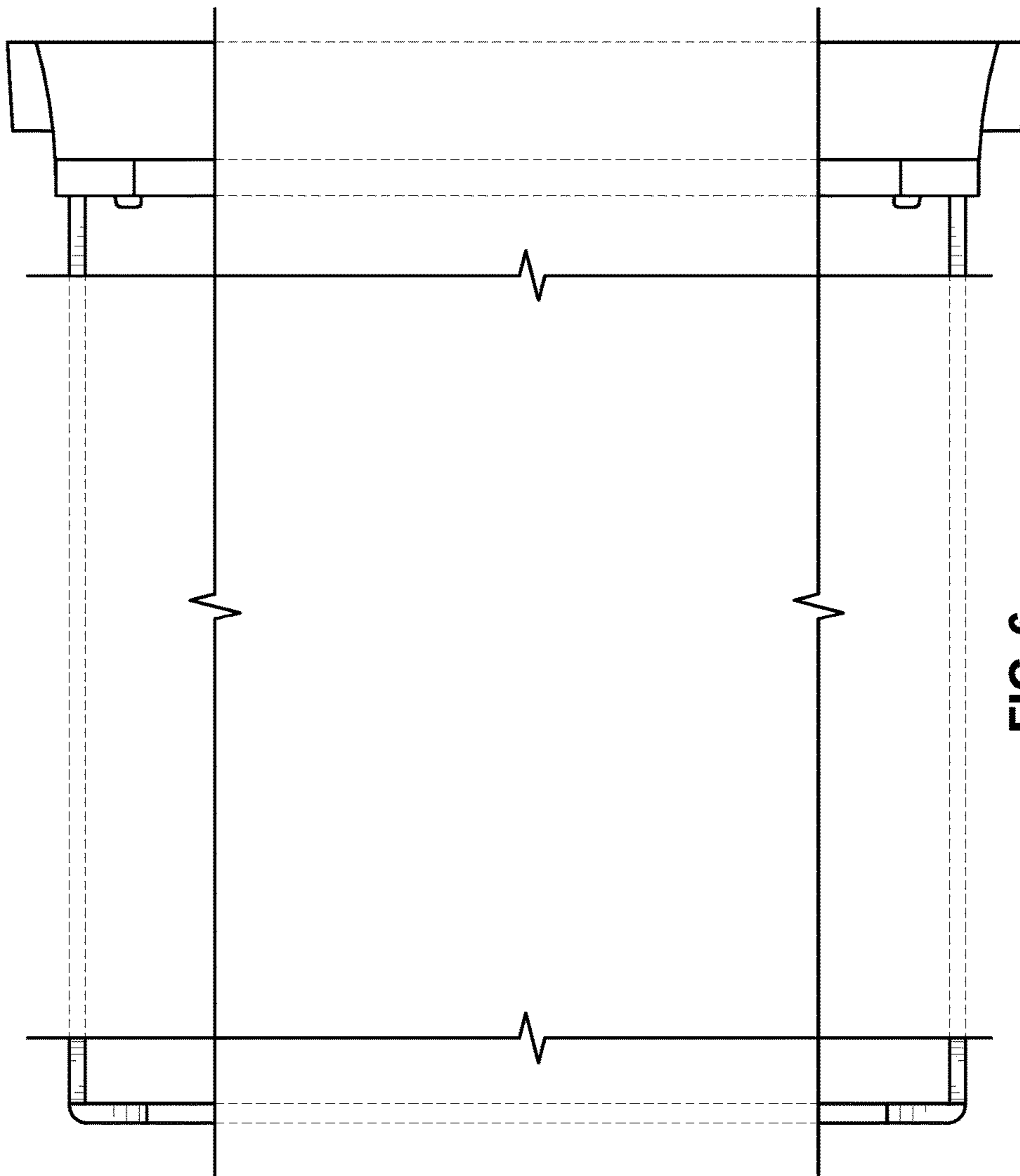


FIG. 6