

US00D847527S

(12) **United States Design Patent**
Borras Pons

(10) **Patent No.:** **US D847,527 S**

(45) **Date of Patent:** **** May 7, 2019**

(54) **SEATING**

(71) Applicant: **FIGUERAS SEATING SOLUTIONS, S.L.**, Llica D'Amunt (Barcelona) (ES)

(72) Inventor: **Pablo Borras Pons**, Llica D'Amunt (ES)

(73) Assignee: **FIGUERAS SEATING SOLUTIONS, S.L.**, Llica D'Amunt (Barcelona) (ES)

(**) Term: **15 Years**

(21) Appl. No.: **29/640,600**

(22) Filed: **Mar. 15, 2018**

(30) **Foreign Application Priority Data**

Sep. 15, 2017 (EM) 004355063-0001

(51) **LOC (11) Cl.** **06-01**

(52) **U.S. Cl.**
USPC **D6/368**

(58) **Field of Classification Search**
USPC D6/330, 334-339, 349, 355, 357-359,
D6/367, 368, 371, 372
CPC A47C 1/12; A47C 1/121; A47C 1/124
See application file for complete search history.

(56) **References Cited**

U.S. PATENT DOCUMENTS

2,365,570 A * 12/1944 Lee A47O 7/566
297/331
2,595,582 A * 5/1952 Hoven A47C 7/26
297/302.4

3,137,527 A * 6/1964 Hoven A47C 1/121
297/331
D266,293 S * 9/1982 Radaelli D6/371
D434,234 S * 11/2000 Ferrentino D6/336
D445,269 S * 7/2001 Mitjans D6/368
D446,035 S * 8/2001 Haney D6/368
D447,642 S * 9/2001 Kimura D6/368
D479,657 S * 9/2003 Calatrava Valls D6/368
D486,652 S * 2/2004 Nemeth D6/334
D532,985 S * 12/2006 Mitjans D6/368
D564,769 S * 3/2008 Alter Molina D6/371
D672,980 S * 12/2012 Mitjans D6/364
2003/0154660 A1 * 8/2003 Berkowicz A47C 1/124
52/8
2007/0063568 A1 * 3/2007 Figueras Mitjans A47C 4/04
297/411.2

* cited by examiner

Primary Examiner — Deanna L Pratt

(74) *Attorney, Agent, or Firm* — Lucas & Mercanti, LLP

(57) **CLAIM**

The ornamental design for a seating, as shown and described.

DESCRIPTION

FIG. 1 is a front perspective view with the seat up of a seating;
FIG. 2 is a front perspective view with the seat down thereof;
FIG. 3 is a top view thereof;
FIG. 4 is a right side view thereof;
FIG. 5 is a front view thereof;
FIG. 6 is a left side view thereof; and,
FIG. 7 is a back view thereof.

1 Claim, 7 Drawing Sheets

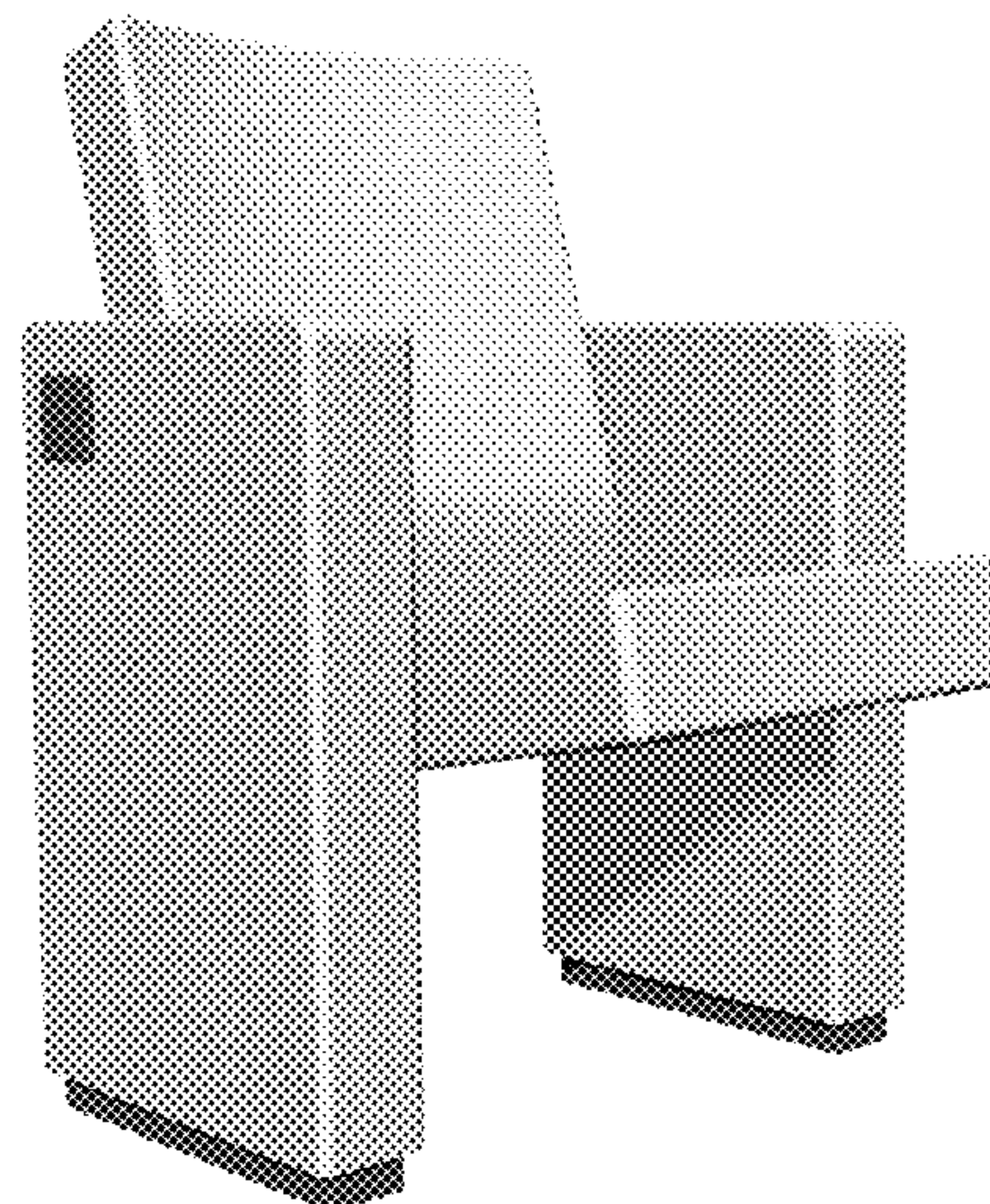
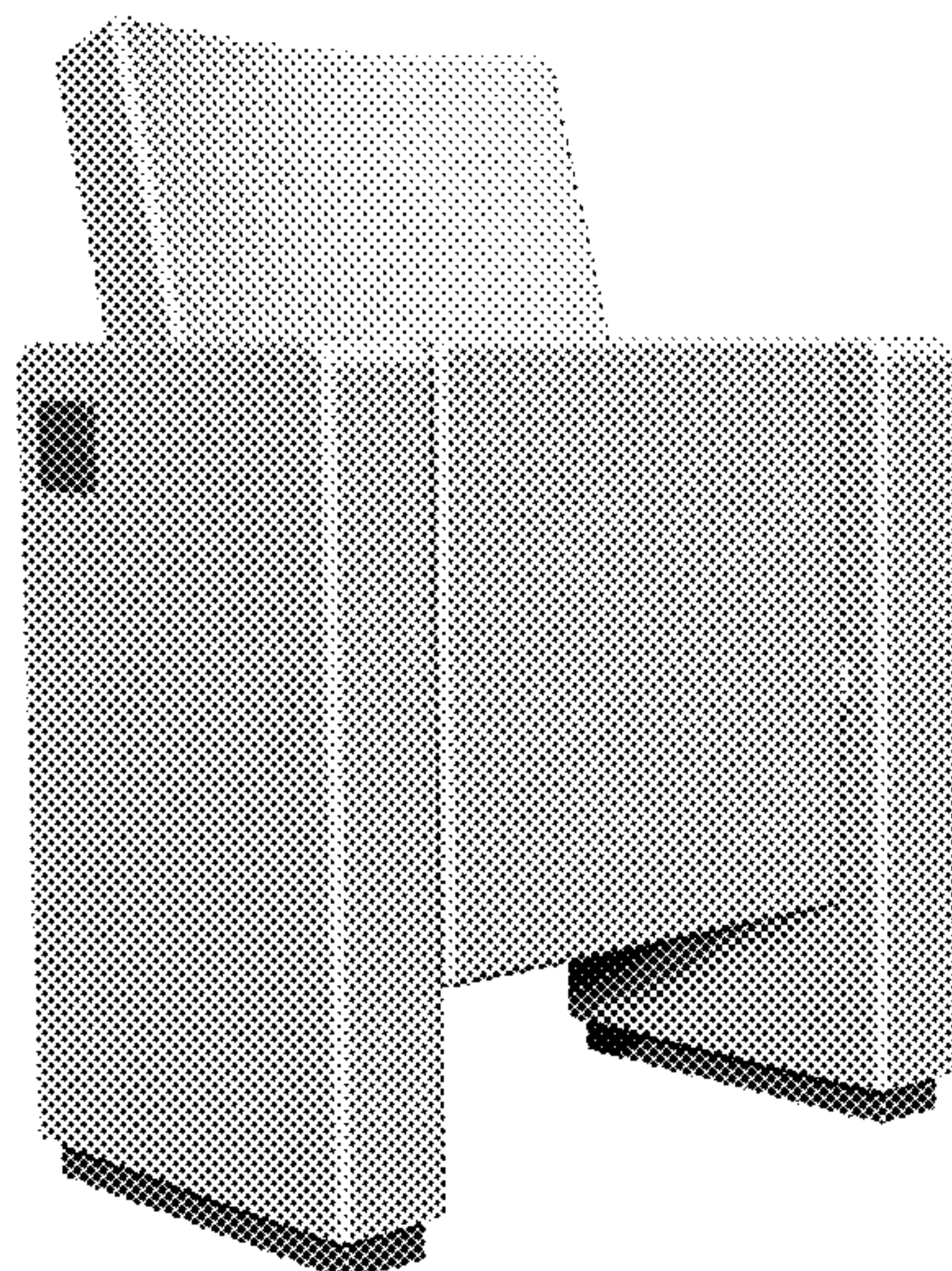


FIG. 1

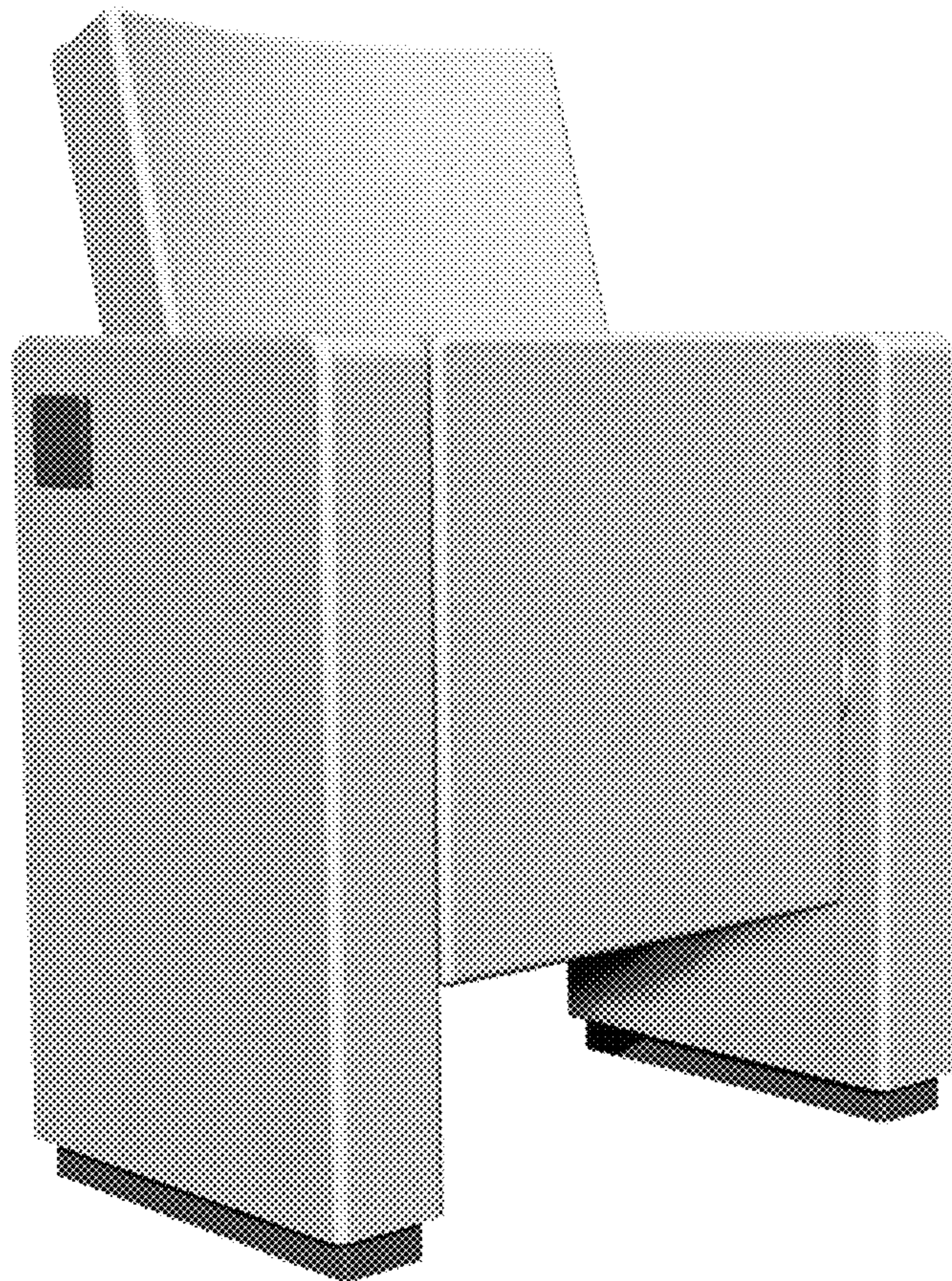


FIG. 2

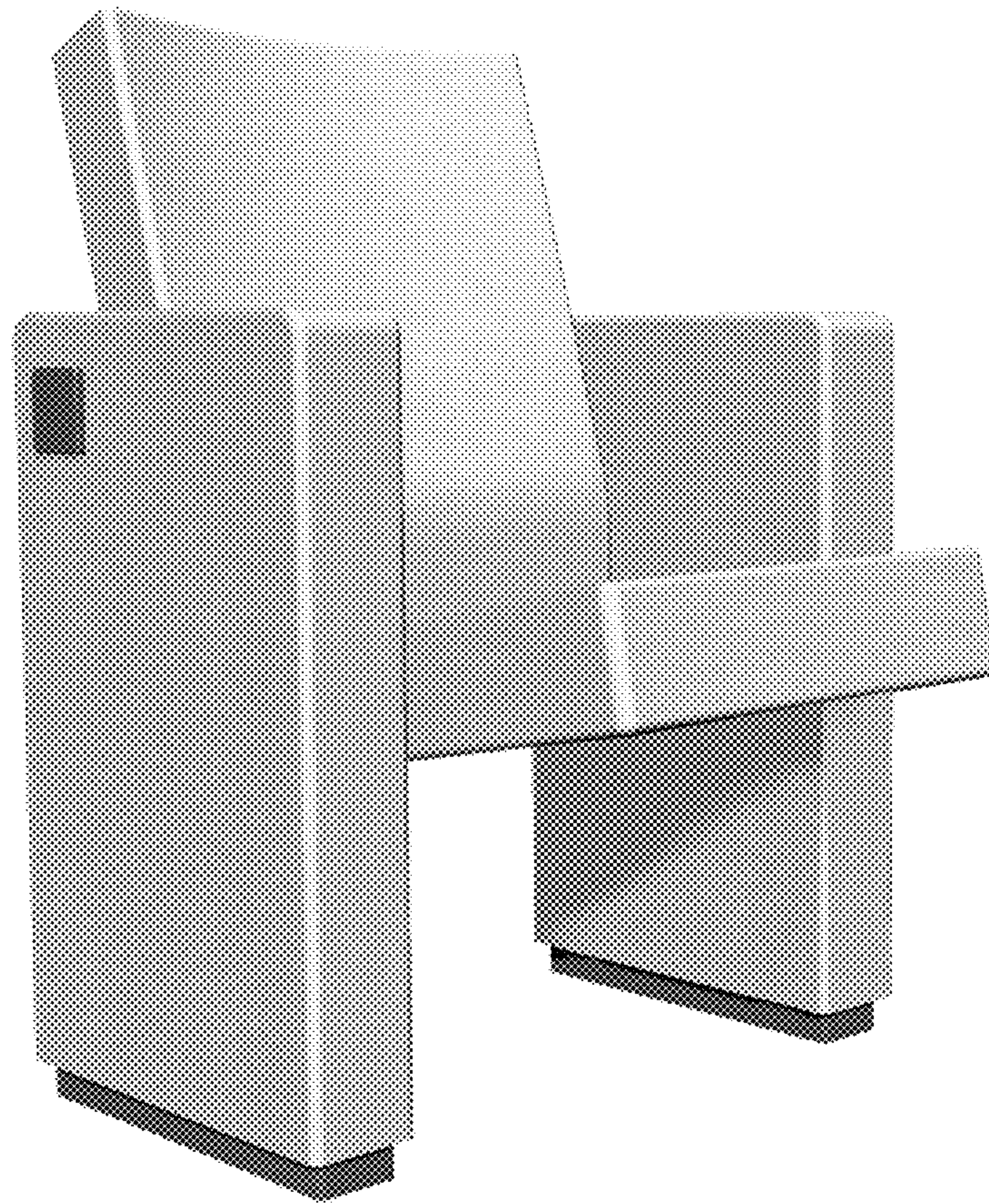


FIG. 3

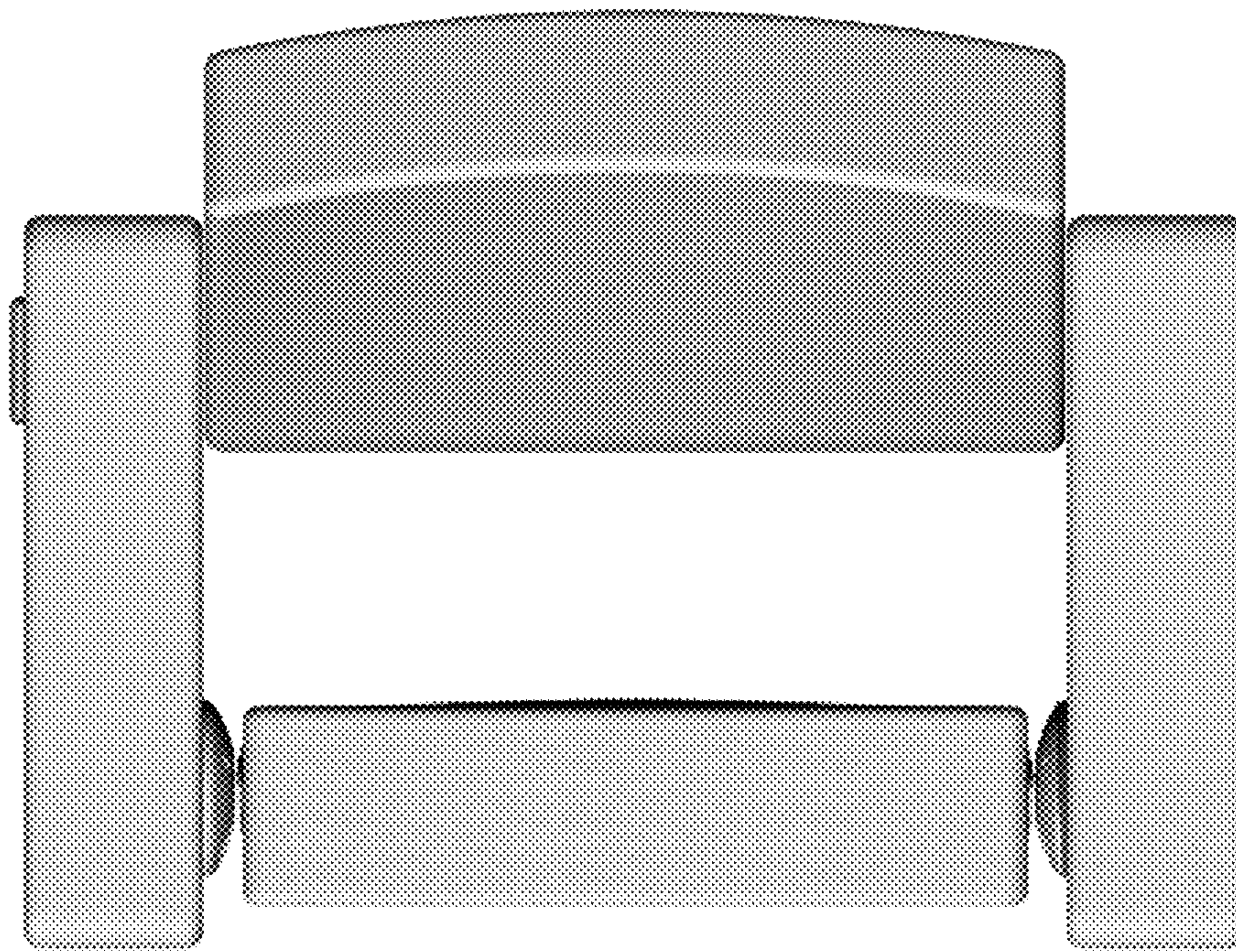


FIG. 4

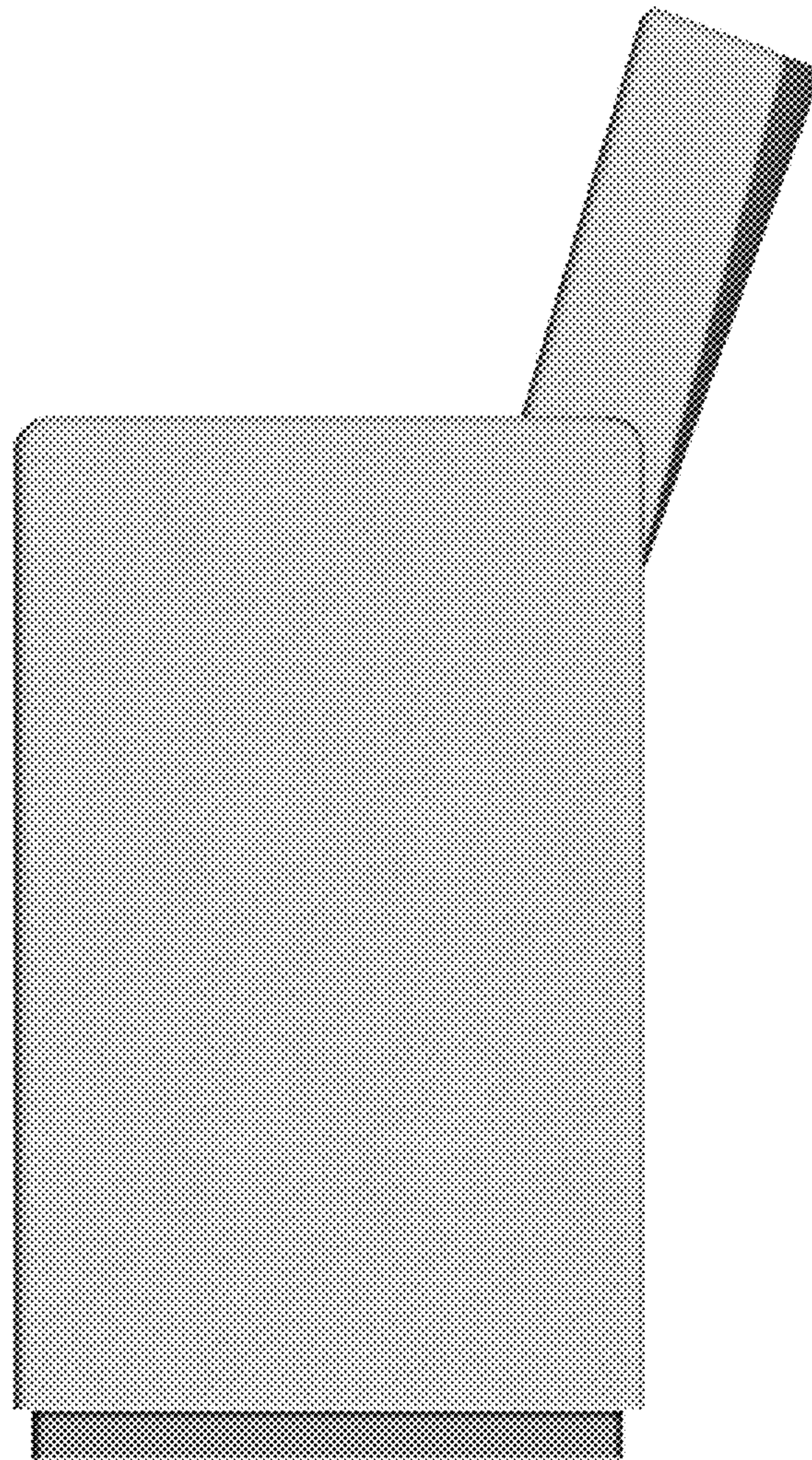


FIG. 5

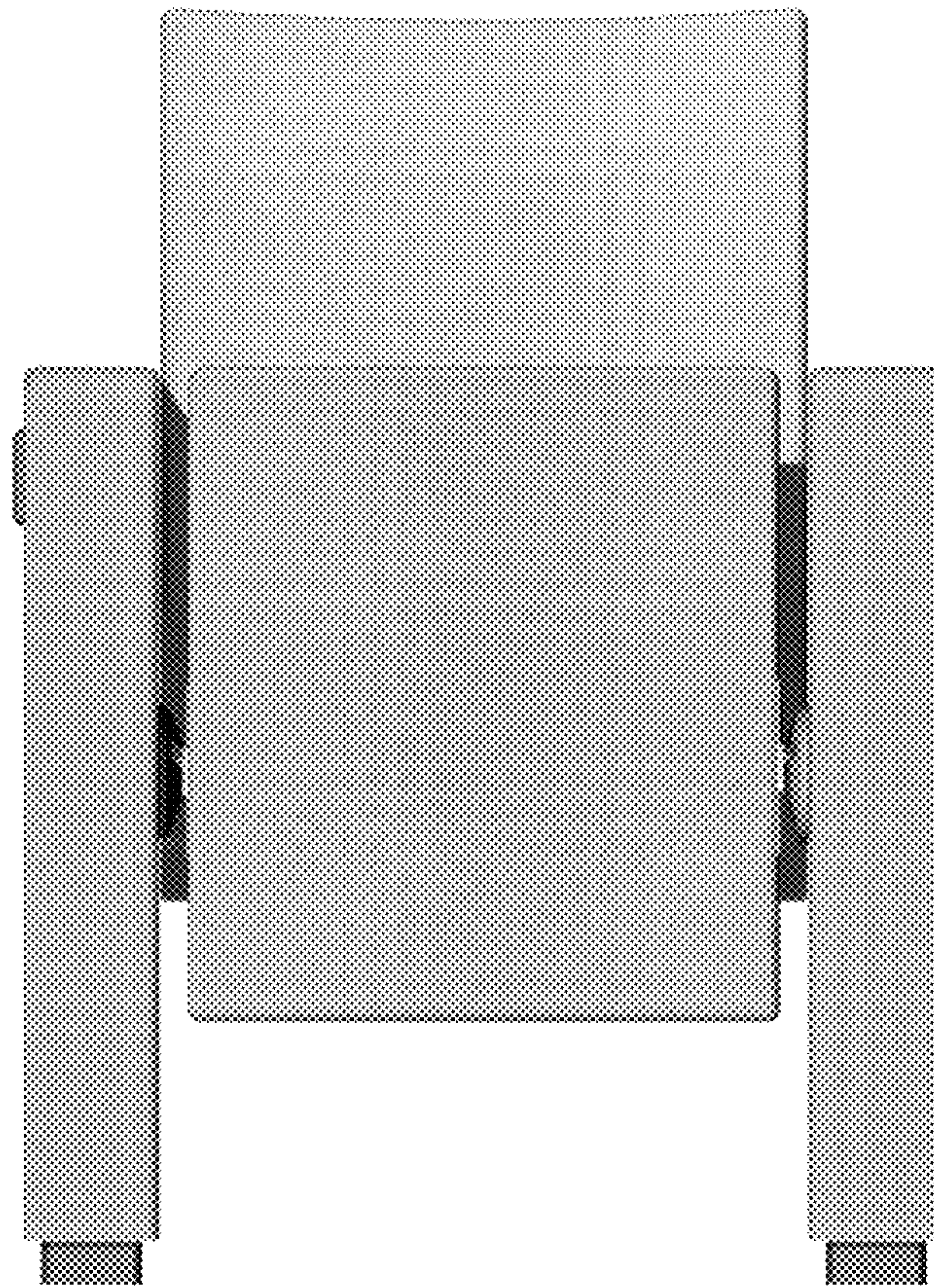


FIG. 6

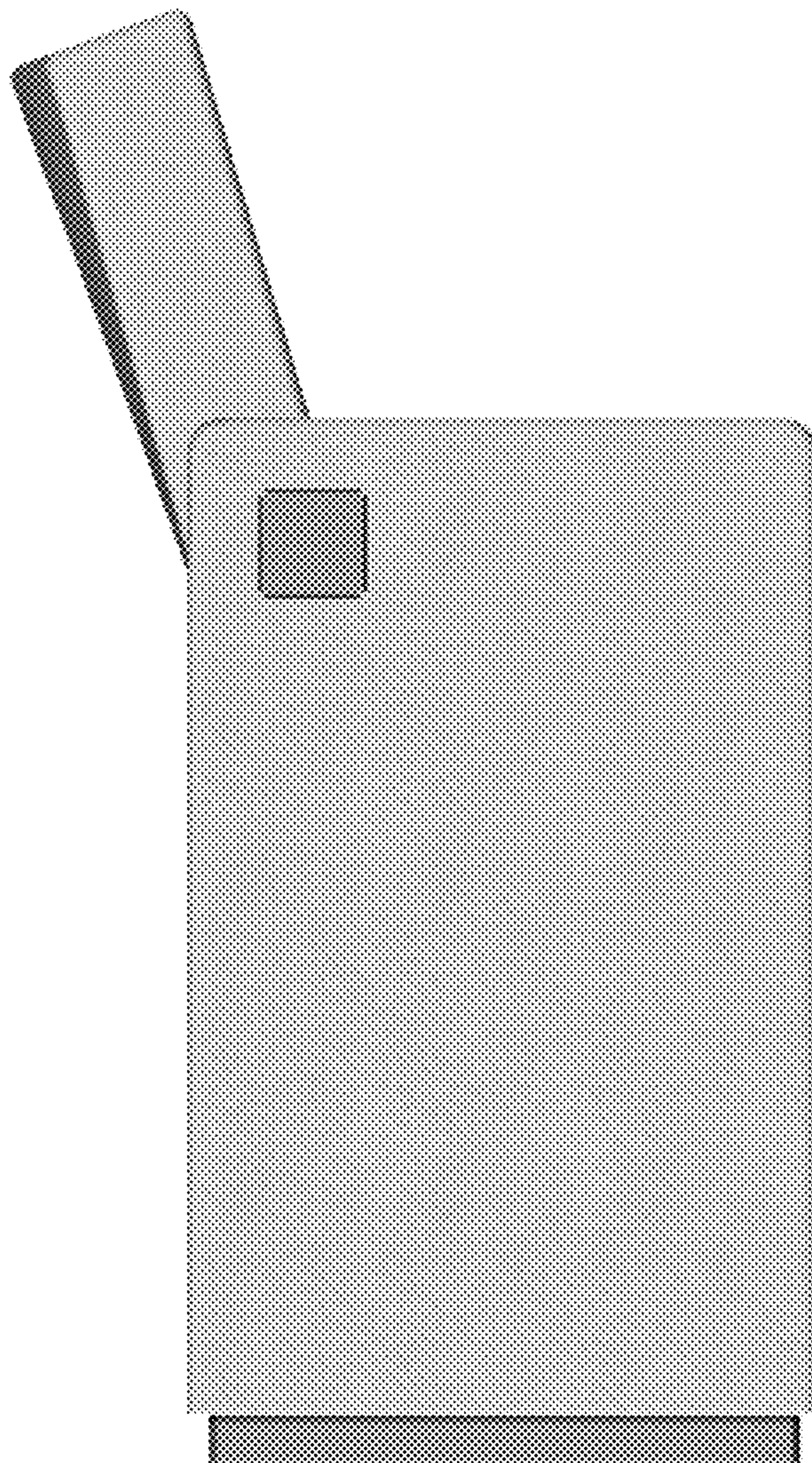


FIG. 7

