



US00D847521S

(12) **United States Design Patent**  
**Lisnic**

(10) **Patent No.:** **US D847,521 S**

(45) **Date of Patent:** **\*\* May 7, 2019**

(54) **HEIGHT ADJUSTABLE TOILET STOOL**

(71) Applicant: **Vitalie Lisnic**, Boden (SE)

(72) Inventor: **Vitalie Lisnic**, Boden (SE)

(\*\*) Term: **15 Years**

(21) Appl. No.: **29/639,404**

(22) Filed: **Mar. 6, 2018**

(51) **LOC (11) Cl.** ..... **06-01**

(52) **U.S. Cl.**  
USPC ..... **D6/353**

(58) **Field of Classification Search**  
USPC ..... D6/334–338, 340–343, 349–353, 355,  
D6/358, 364–365, 597, 691–691.9,  
D6/692–692.6, 716–716.1  
CPC .. A47B 7/00–7/02; A47C 11/00; A47C 12/00;  
A47C 13/00; A47C 16/00; A47C 16/02;  
A47C 16/04; A47C 9/00–9/105; A47K  
17/02; A47K 17/028  
See application file for complete search history.

(56) **References Cited**

**U.S. PATENT DOCUMENTS**

- 2,023,901 A \* 12/1935 Rhodes ..... A47K 17/028  
4/254
- D665,180 S \* 8/2012 Ekelchik ..... D6/353
- D738,126 S \* 9/2015 Edwards ..... D6/349

- D766,604 S \* 9/2016 Edwards ..... A47K 17/02  
D6/353
- D767,291 S \* 9/2016 Edwards ..... A47C 16/025  
D6/353
- D785,956 S \* 5/2017 Stricklin ..... D6/349
- D787,845 S \* 5/2017 Edwards ..... D6/353
- D797,466 S \* 9/2017 Zioni ..... D6/353
- D802,311 S \* 11/2017 Stricklin ..... D6/349
- D813,560 S \* 3/2018 Zioni ..... D6/353

\* cited by examiner

*Primary Examiner* — Vy N Koenig

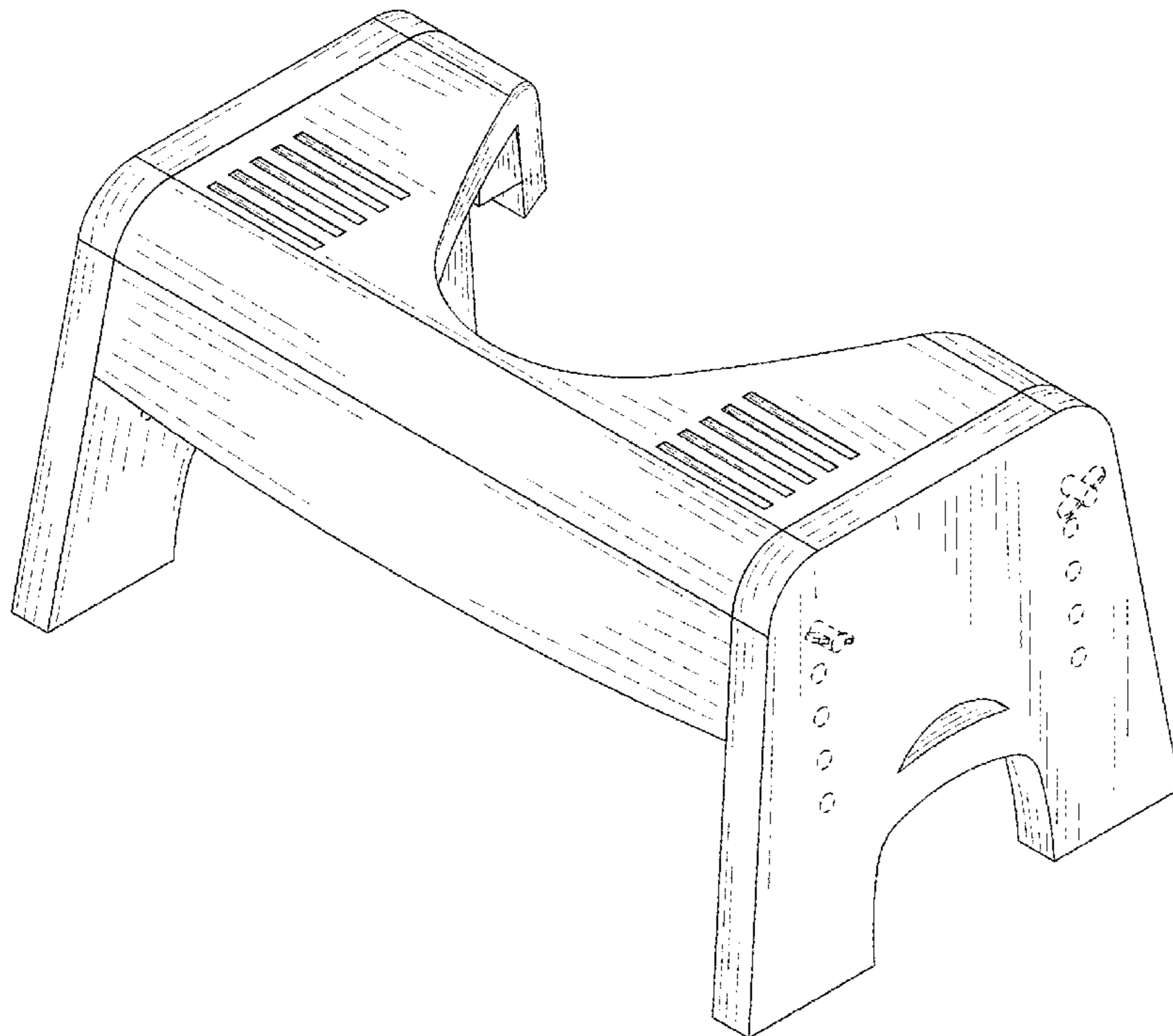
(57) **CLAIM**

The ornamental design for a height adjustable toilet stool, as shown and described.

**DESCRIPTION**

FIG. 1 is a top-front perspective view of a height adjustable toilet stool showing my new design; FIG. 2 is a bottom-back perspective view thereof; FIG. 3 is a front view thereof; FIG. 4 is a back view thereof; FIG. 5 is a top view thereof; FIG. 6 is a bottom view thereof; FIG. 7 is a left view thereof; FIG. 8 is a right view thereof; FIG. 9 is a top-front perspective exploded view thereof; and, FIG. 10 is a bottom-back perspective exploded view thereof. The broken lines showing of orifices and fasteners in FIG. 1-10 are included for the purpose of showing environmental structure and forms no part of the claimed design.

**1 Claim, 10 Drawing Sheets**



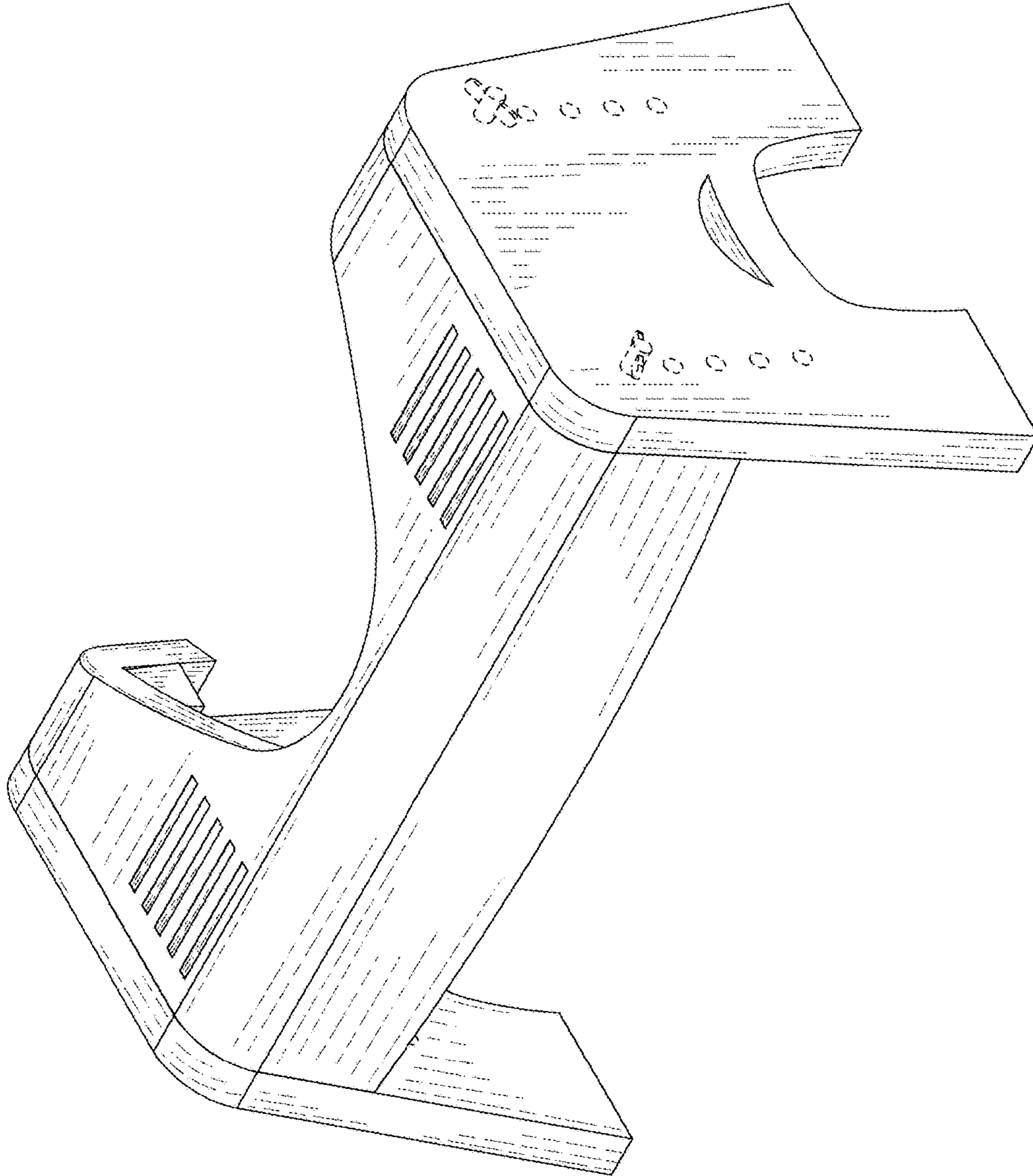


FIG. 1

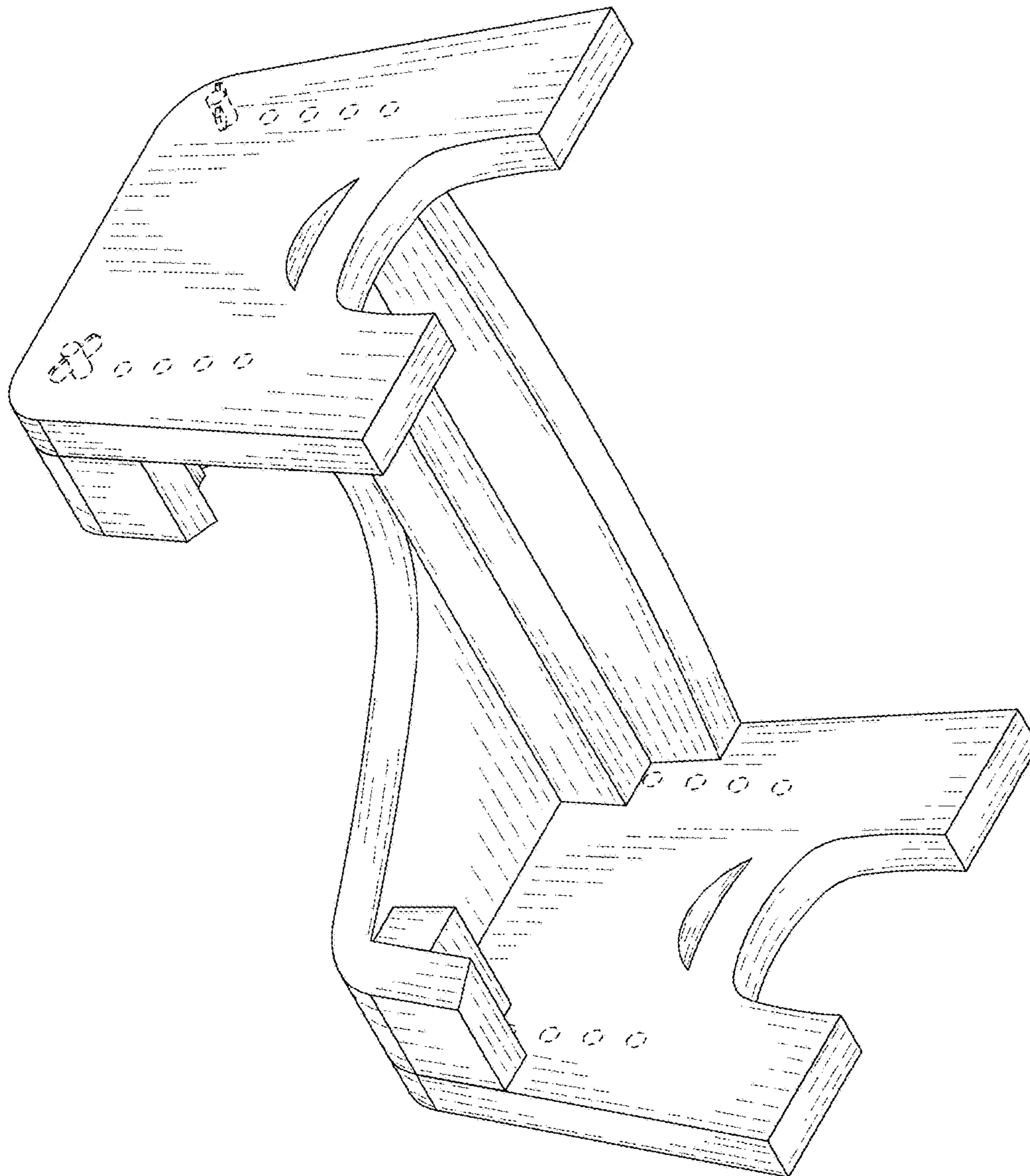


FIG. 2

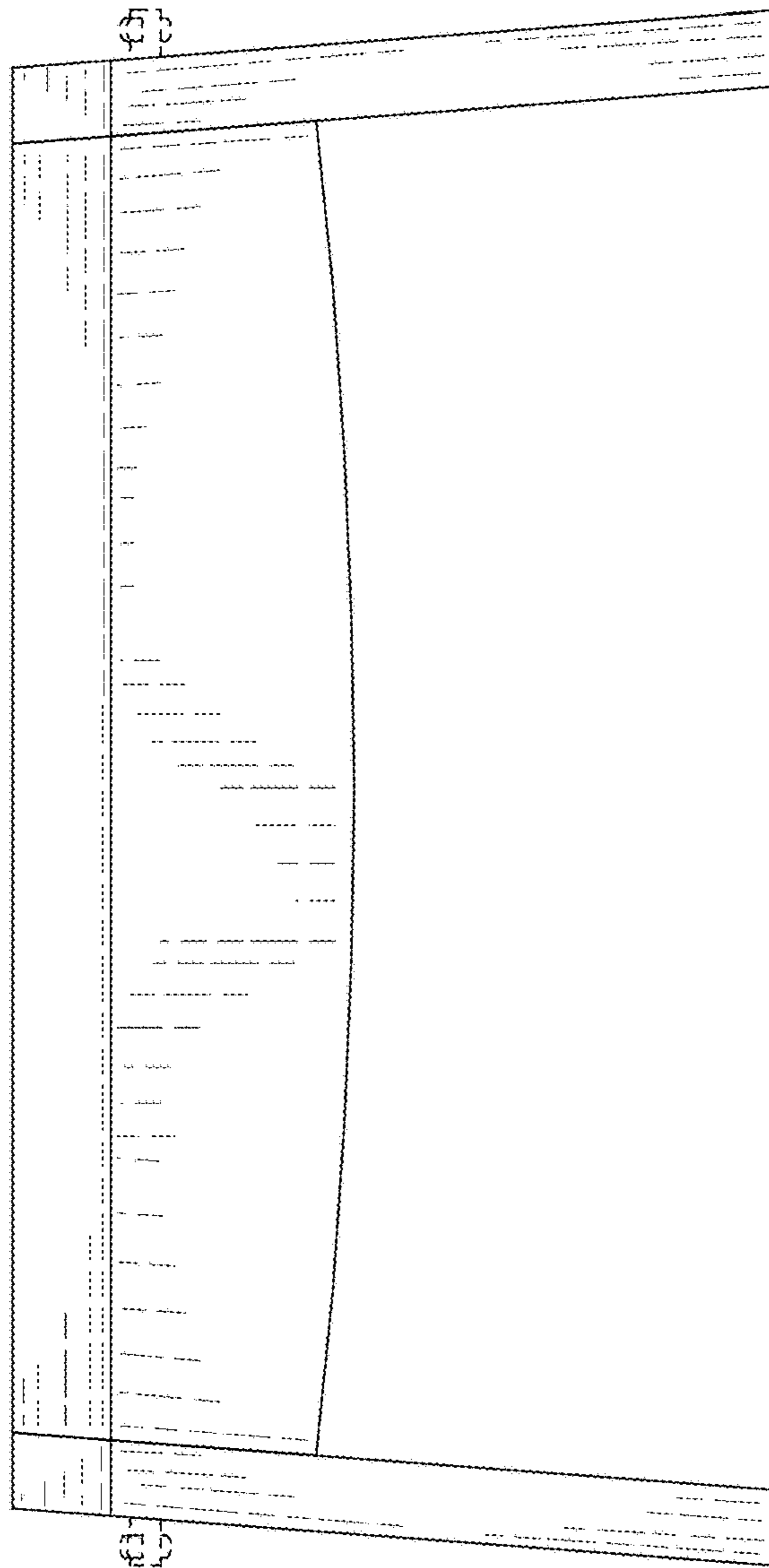


FIG. 3

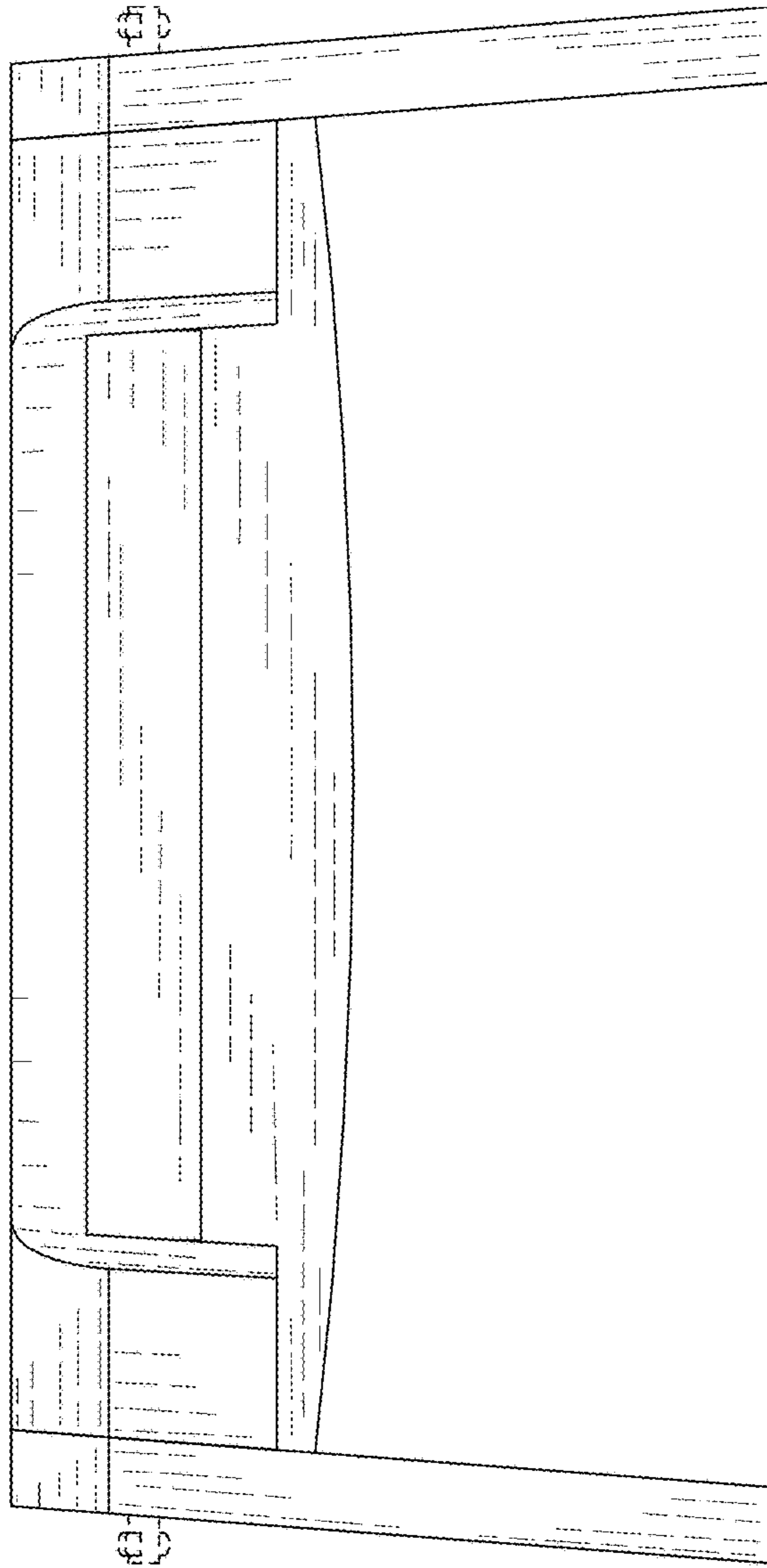


FIG. 4



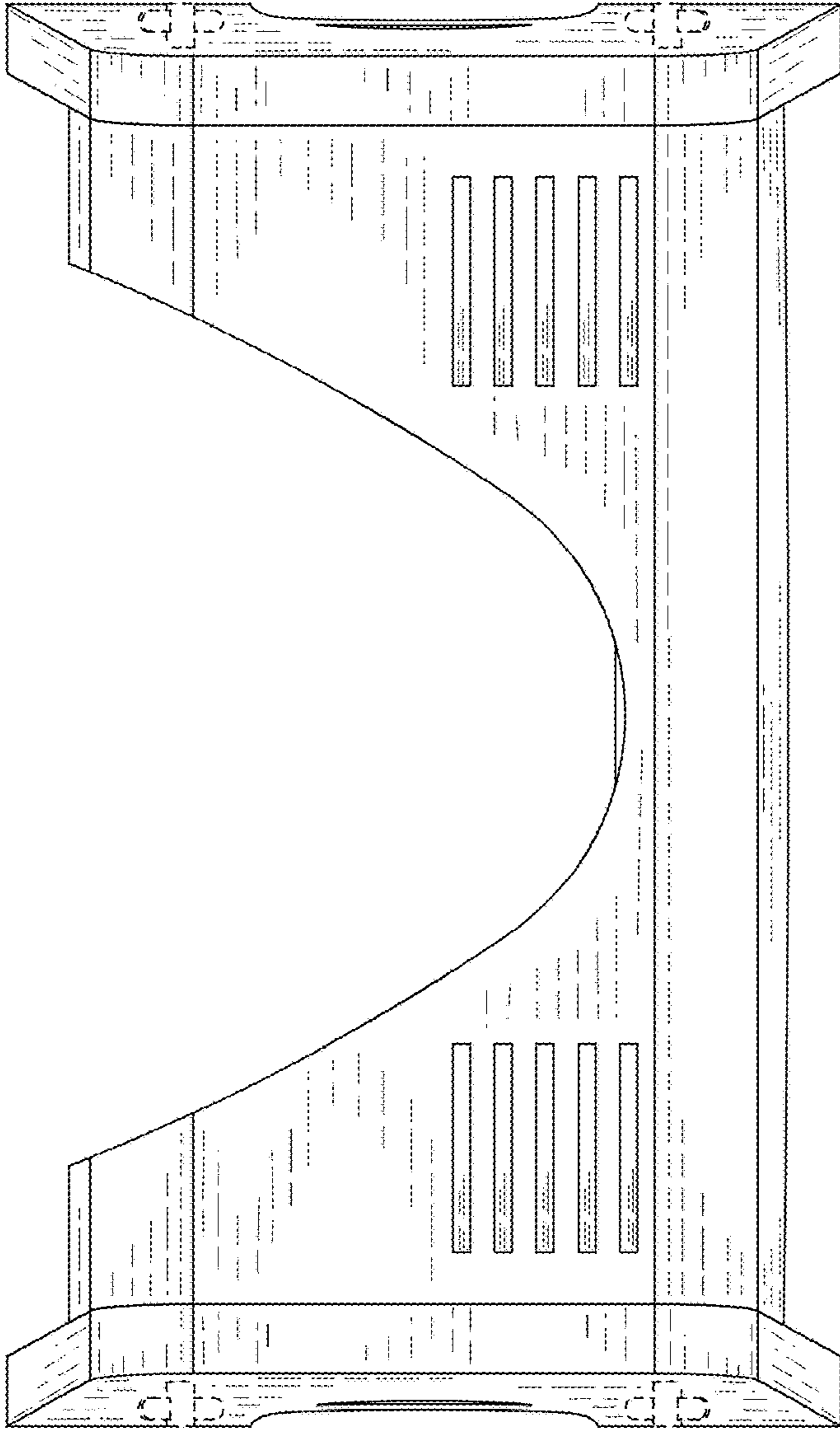


FIG. 5

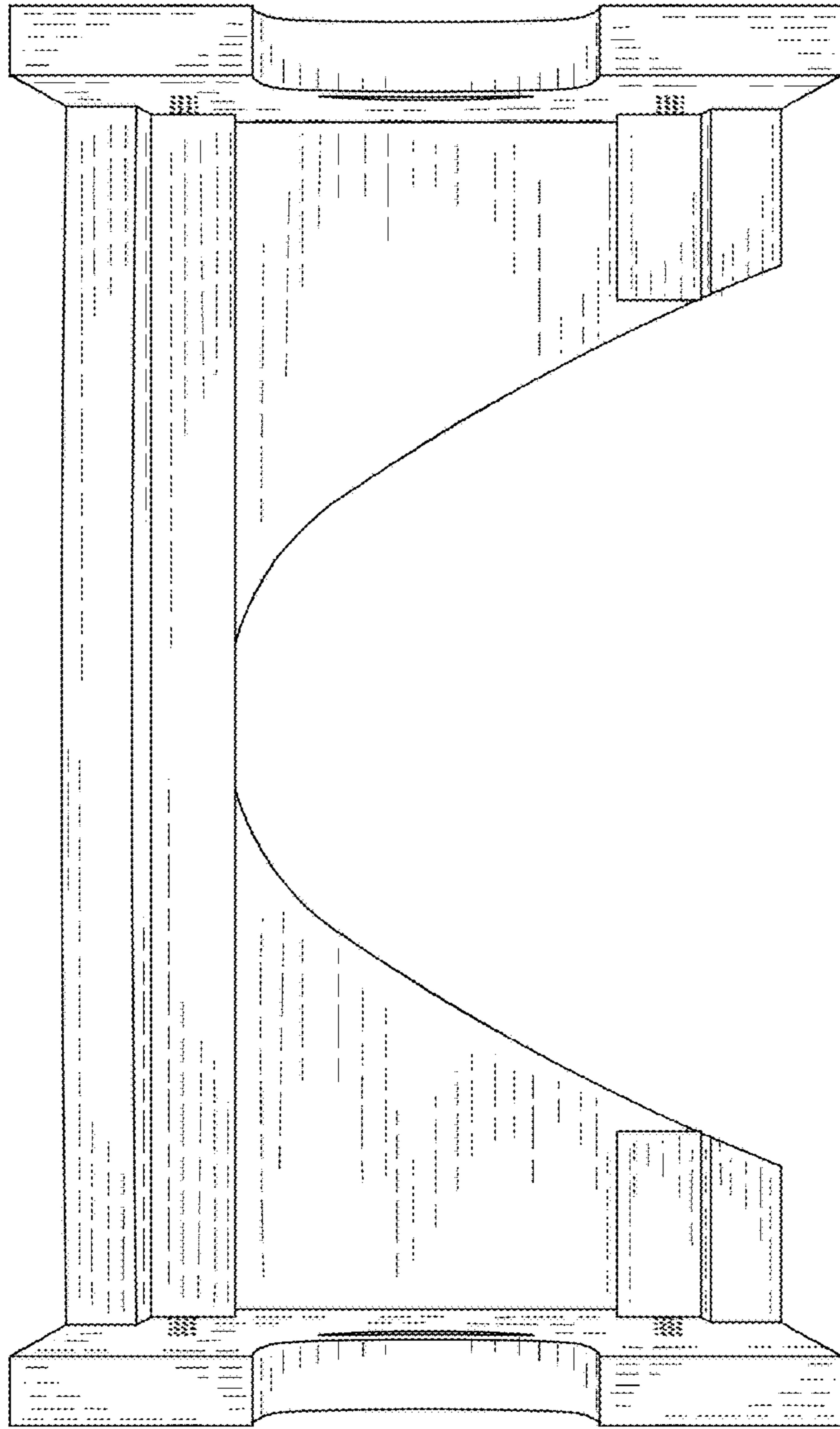


FIG. 6

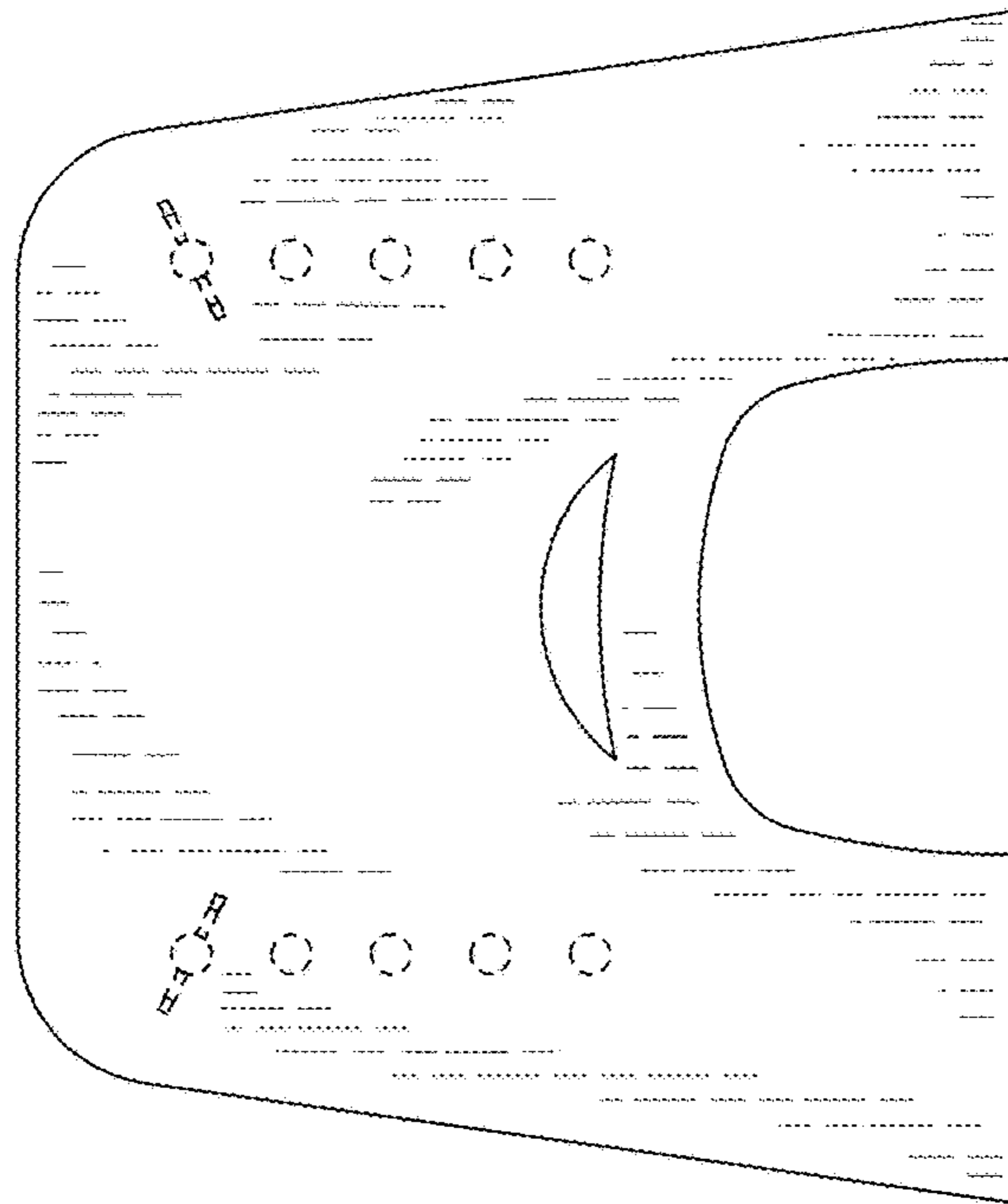


FIG. 7



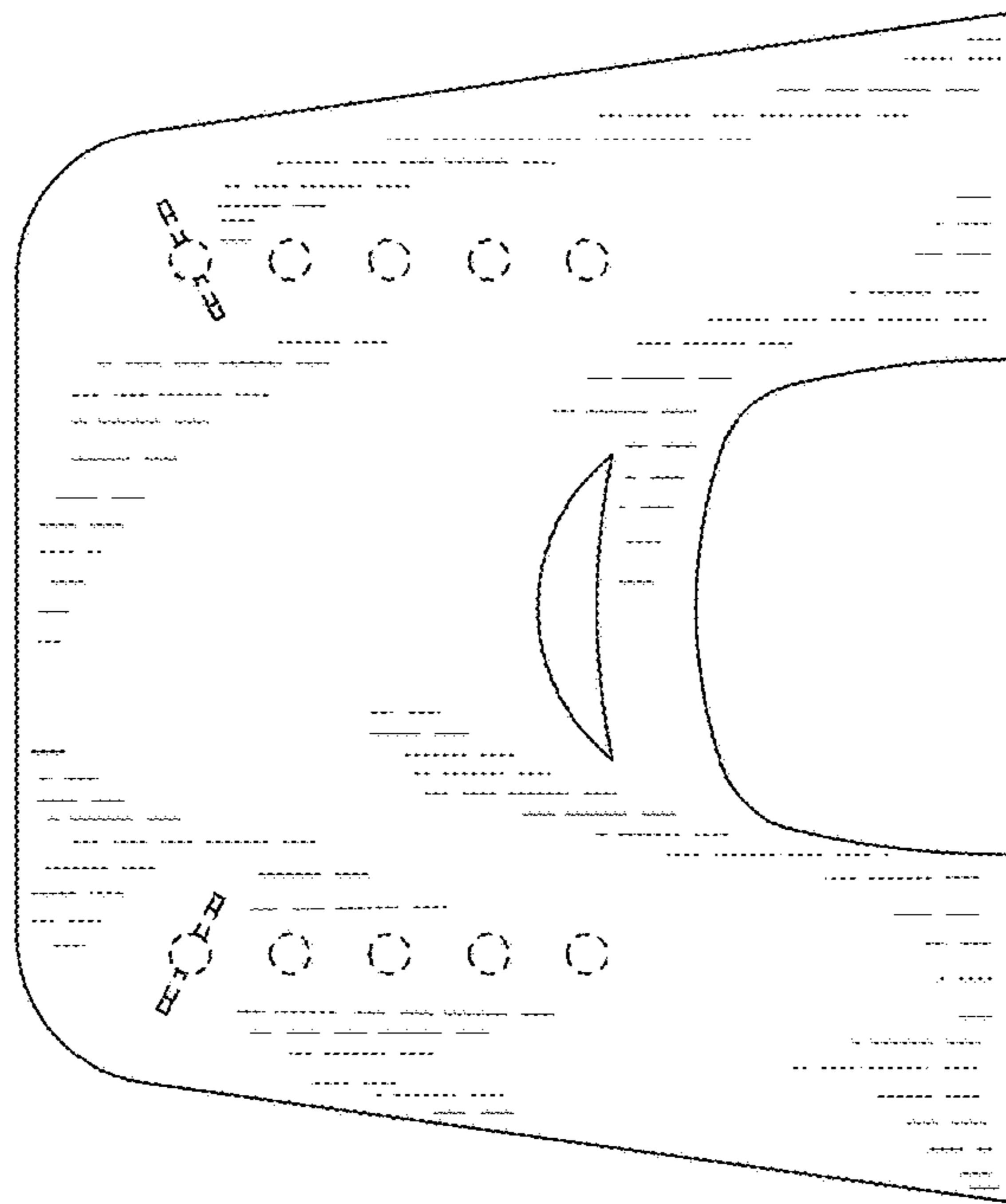


FIG. 8

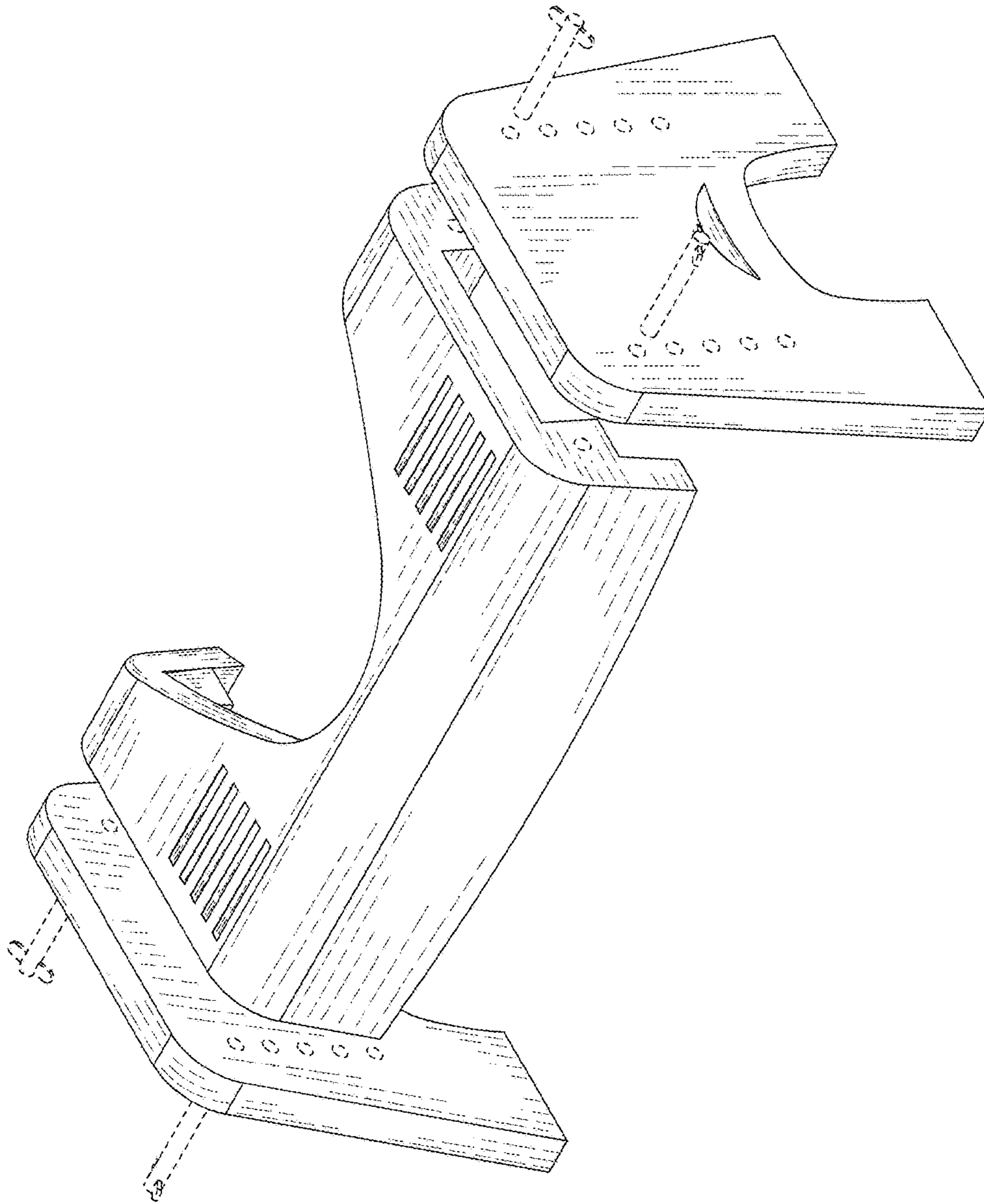


FIG. 9

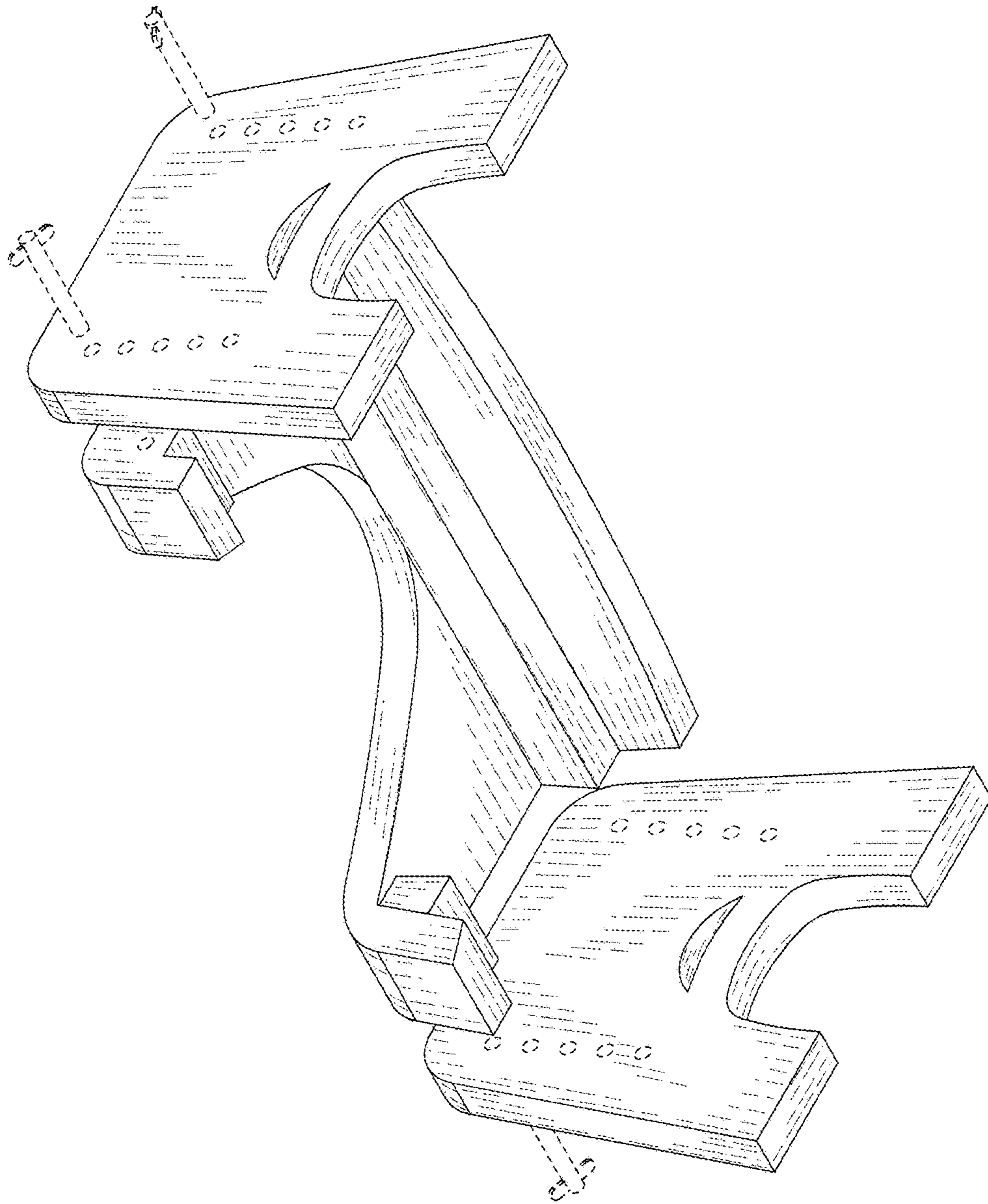


FIG. 10