



US00D847520S

(12) **United States Design Patent**
Imrich et al.

(10) **Patent No.:** **US D847,520 S**

(45) **Date of Patent:** **** May 7, 2019**

(54) **CHILD SAFETY SEATS FOR MOTOR CARS**

(71) Applicant: **CYBEX GMBH**, Bayreuth (DE)

(72) Inventors: **Martin Imrich**, Prague (CZ); **Jiri Pribyl**, Prague (CZ)

(**) Term: **15 Years**

(21) Appl. No.: **35/504,300**

(22) Filed: **Jul. 10, 2017**

(80) **Hague Agreement Data**

Int. Filing Date: **Jul. 10, 2017**

Int. Reg. No.: **DM/098089**

Int. Reg. Date: **Jul. 10, 2017**

Int. Reg. Pub. Date: **Jan. 12, 2018**

(51) **LOC (11) Cl.** **06-01**

(52) **U.S. Cl.**
USPC **D6/333**

(58) **Field of Classification Search**
USPC D6/333-335
CPC . A47C 1/00; A47D 1/00; A47D 13/02; A47D 13/025; A47D 15/005; A47D 15/006; B60N 2/26; B60N 2/28; B60N 2/2821; B60N 2/2845; B60N 2/2851; B60N 2/2878; B60N 2/30; B60N 2/42
See application file for complete search history.

(56) **References Cited**

U.S. PATENT DOCUMENTS

- D607,651 S * 1/2010 Karremans D6/333
- D695,533 S * 12/2013 Jane Santamaria D6/333
- 8,684,454 B2 * 4/2014 Chipman A47D 13/025
297/183.2
- D730,651 S * 6/2015 Perego B60N 2/2812
D6/333

- 9,056,567 B2 * 6/2015 Wuerstl A47D 13/02
- D764,817 S * 8/2016 Pos B60N 2/2821
D6/333
- D794,968 S * 8/2017 Pos A47D 13/02
D6/333
- 9,975,457 B2 * 5/2018 Chen B60N 2/2821
- 2008/0231098 A1 * 9/2008 Van Der Vegt B60N 2/2821
297/250.1
- 2011/0012398 A1 * 1/2011 Powell B60N 2/2845
297/216.11
- 2016/0059747 A1 * 3/2016 Pos B60N 2/2812
297/183.6
- 2018/0079332 A1 * 3/2018 Williams B60N 2/2824

* cited by examiner

Primary Examiner — Mary Ann Calabrese

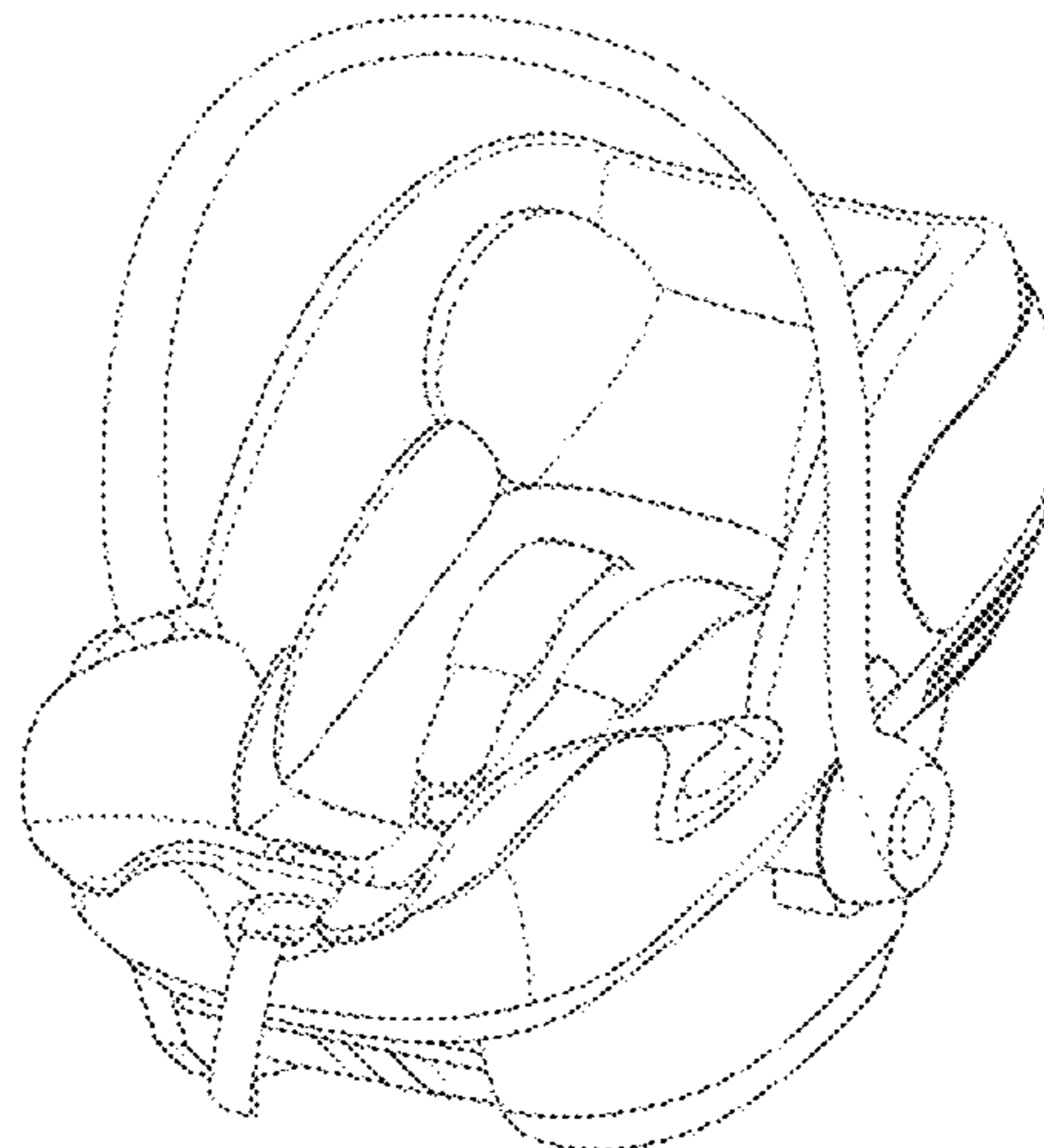
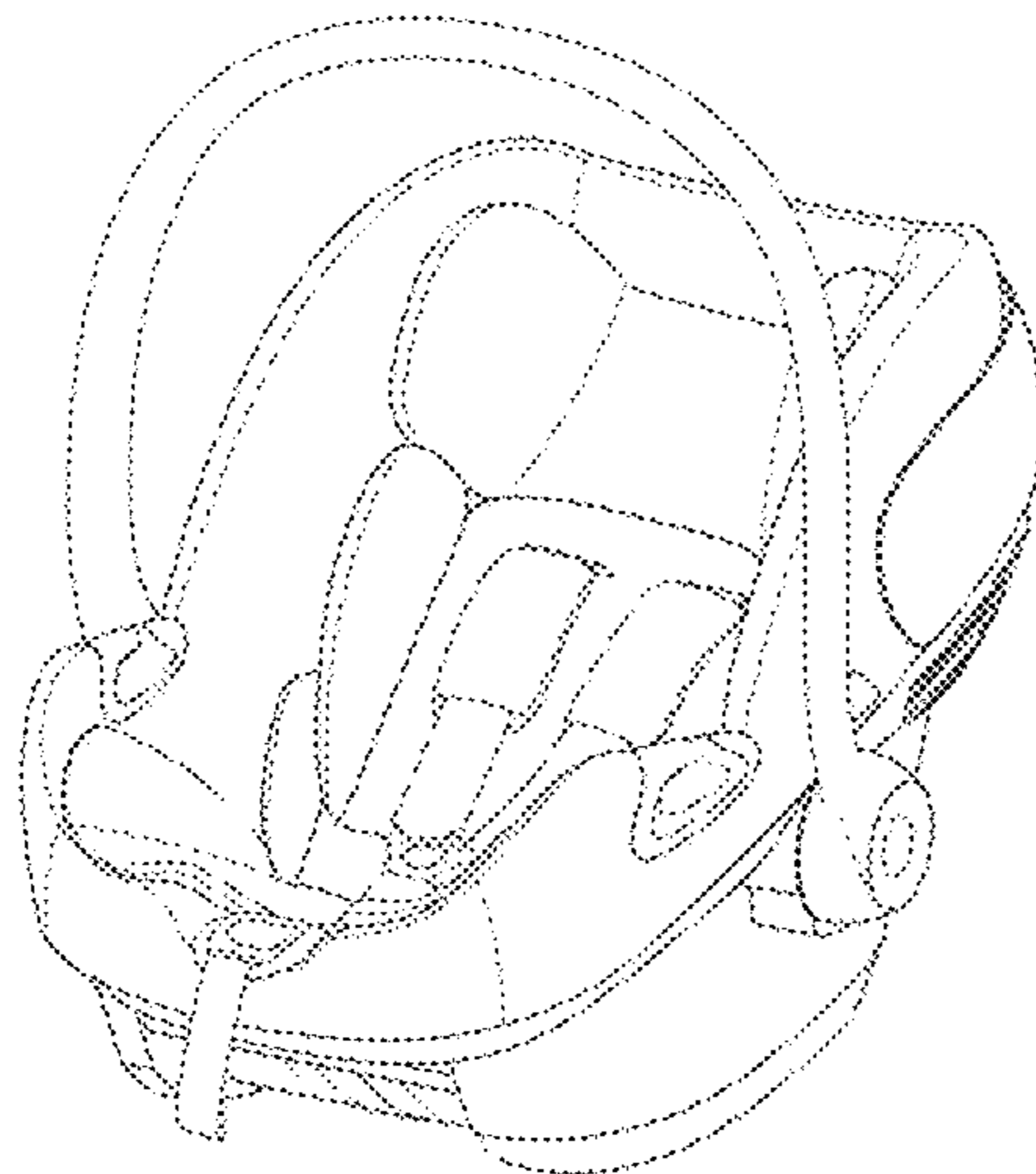
(57) **CLAIM**

The ornamental design for a child safety seat for motor cars, as shown and described.

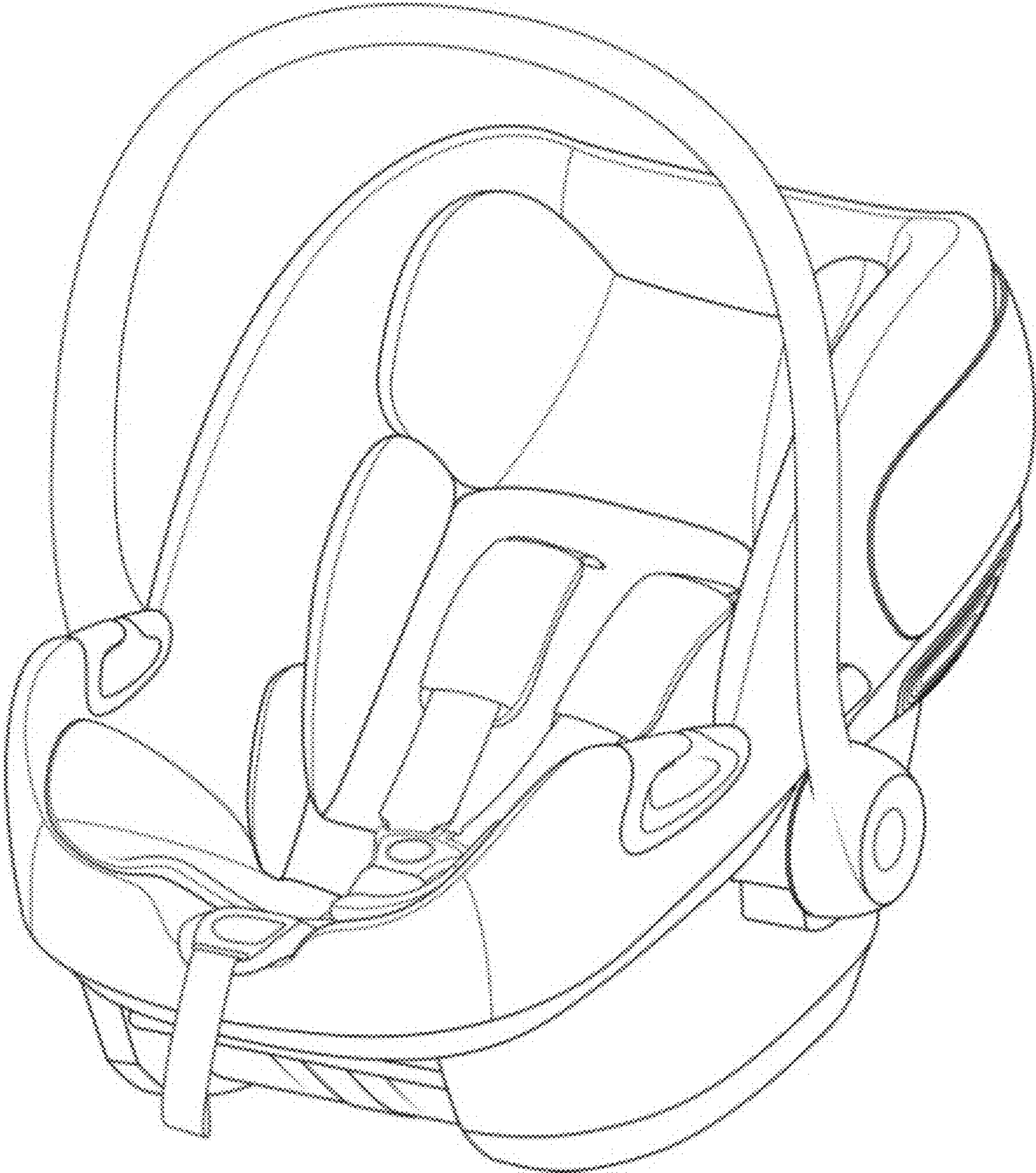
DESCRIPTION

- 1.-2. Child safety seats for motor cars
- 1.1 is a front perspective view of a first embodiment.
- 1.2 is a rear view.
- 1.3 is a front view.
- 1.4 is a right side view.
- 1.5 is a left side view.
- 1.6 is a top view.
- 1.7 is a bottom view.
- 2.1 is a front perspective view of a second embodiment.
- 2.2 is a rear view.
- 2.3 is a front view.
- 2.4 is a right side view.
- 2.5 is a left side view.
- 2.6 is a top view.
- 2.7 is a bottom view.

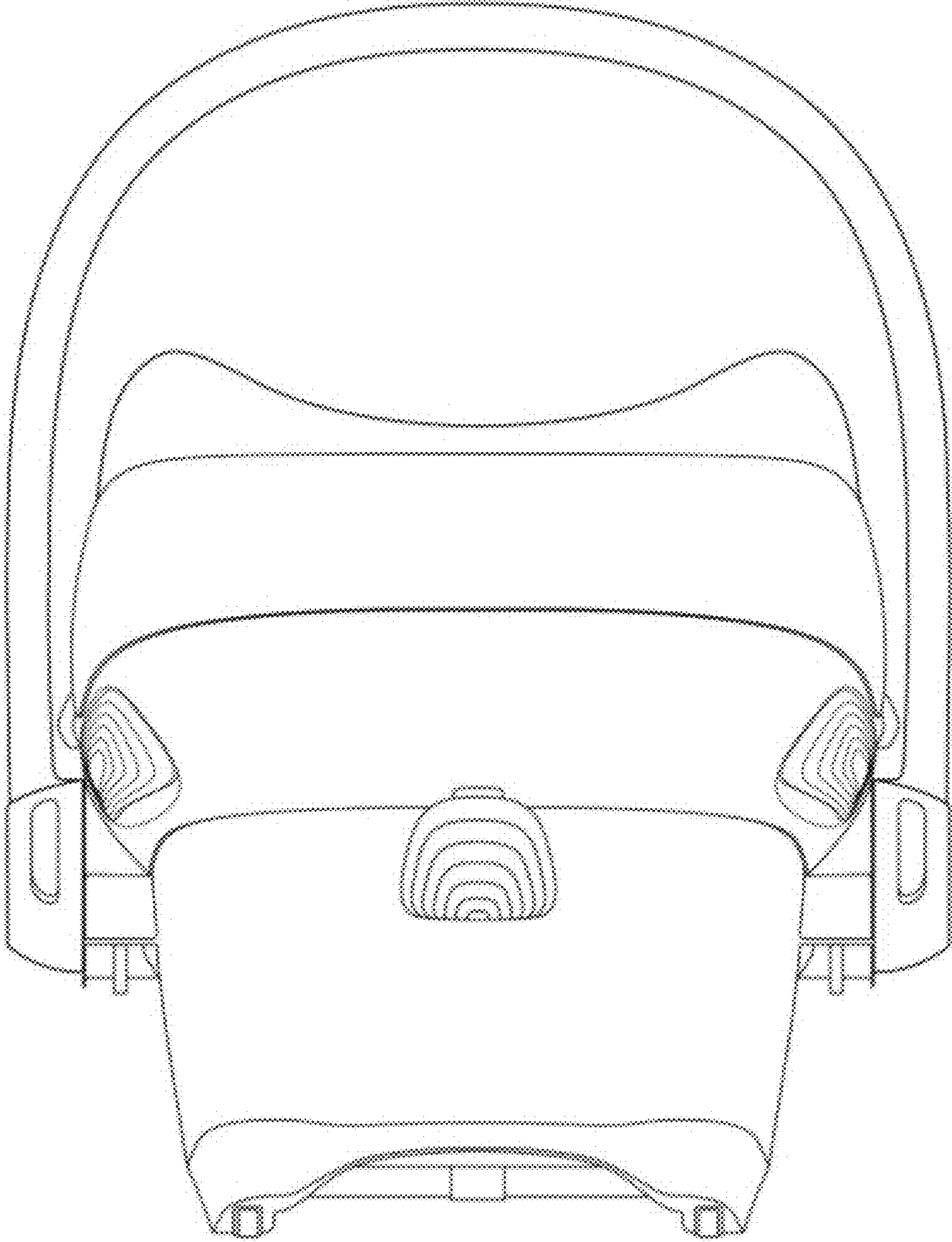
1 Claim, 14 Drawing Sheets



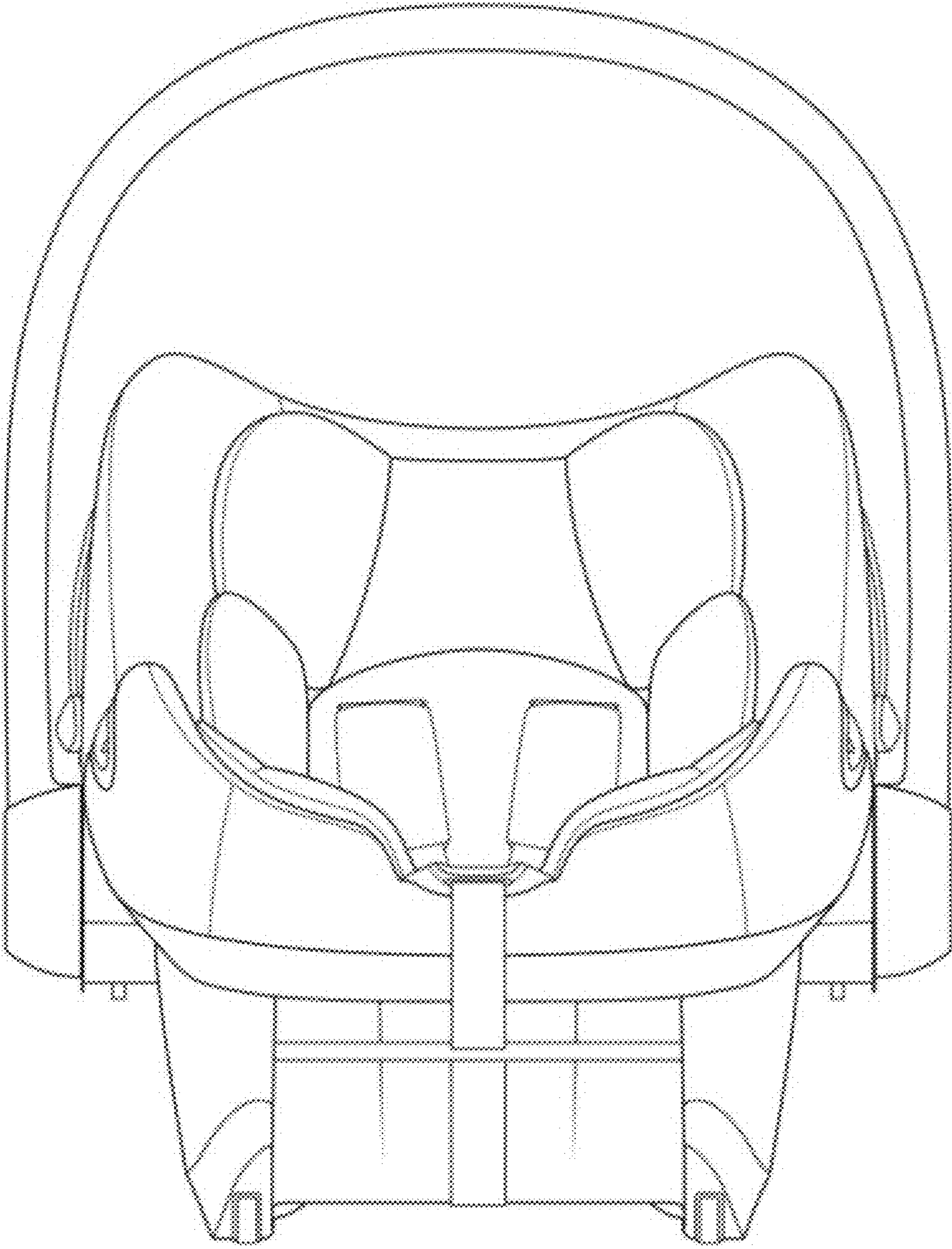
1.1



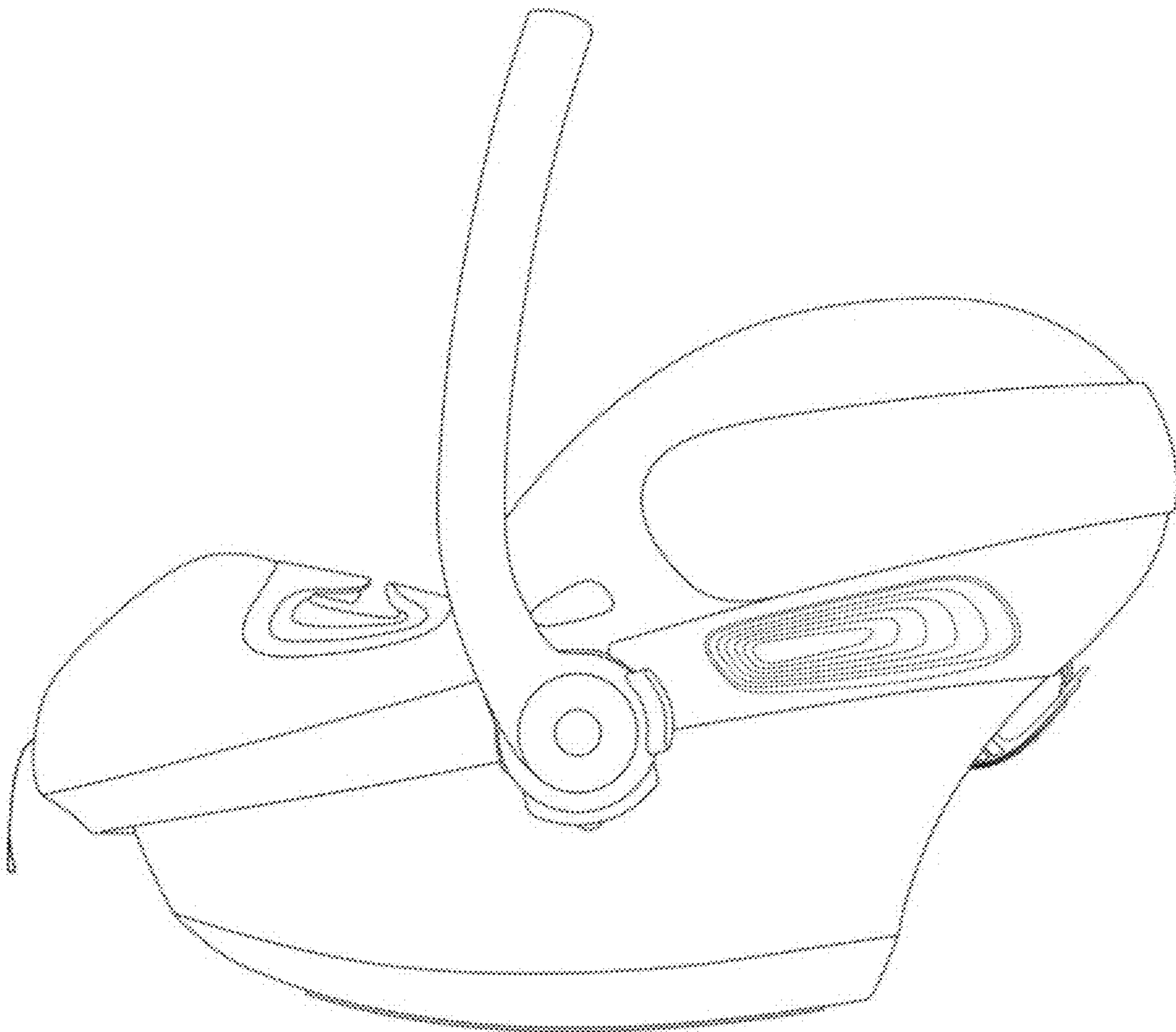
1.2



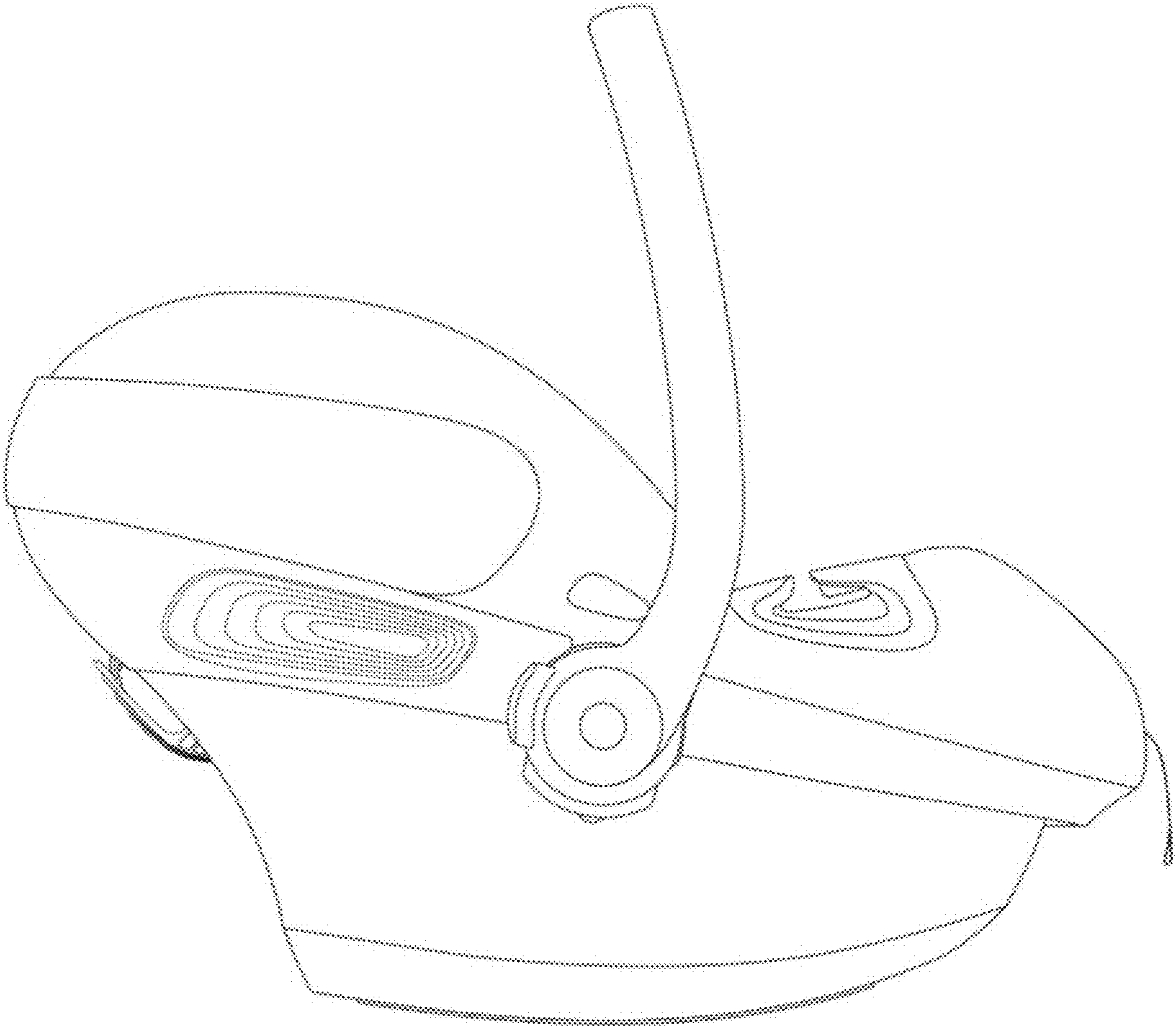
1.3



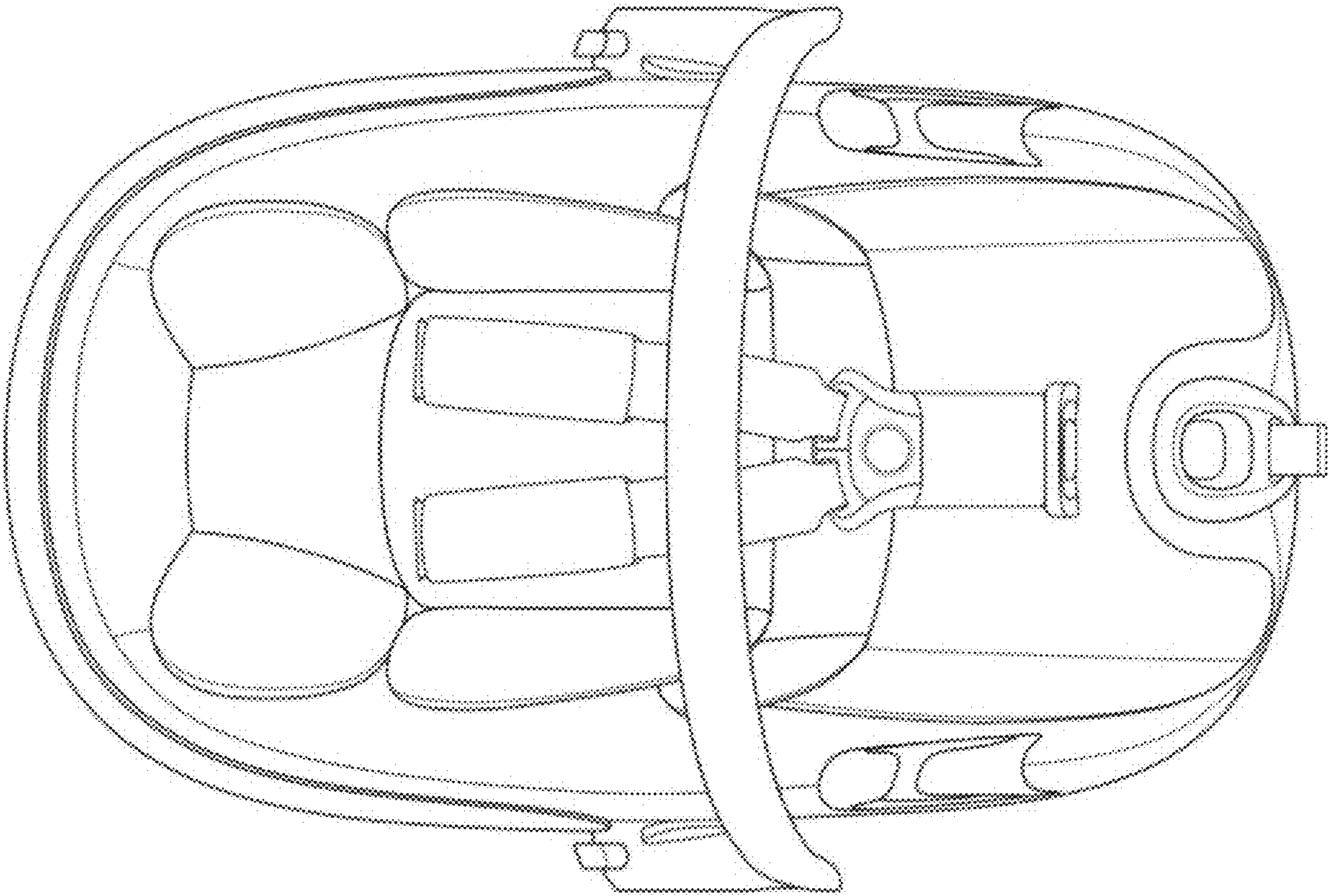
1.4



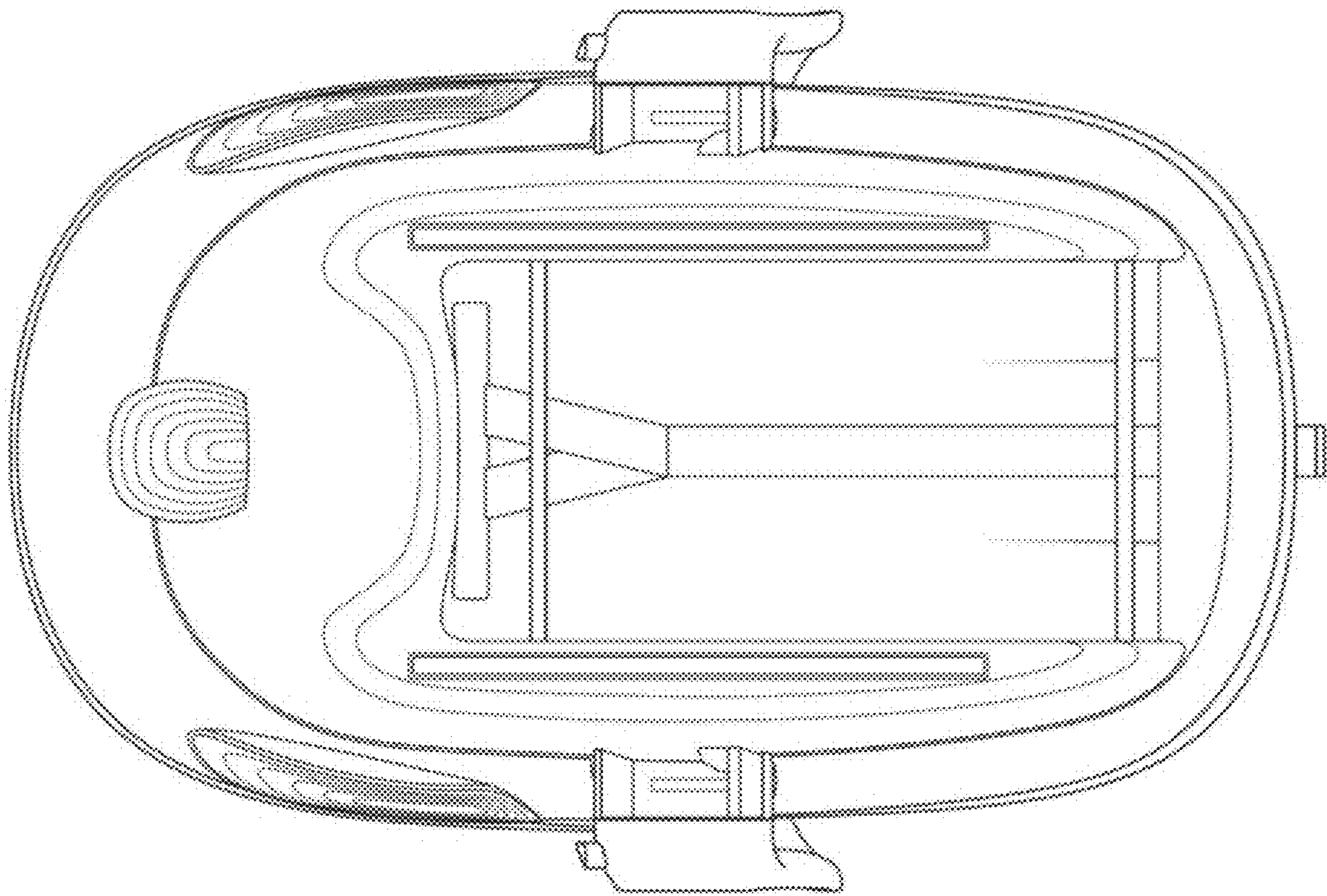
1.5



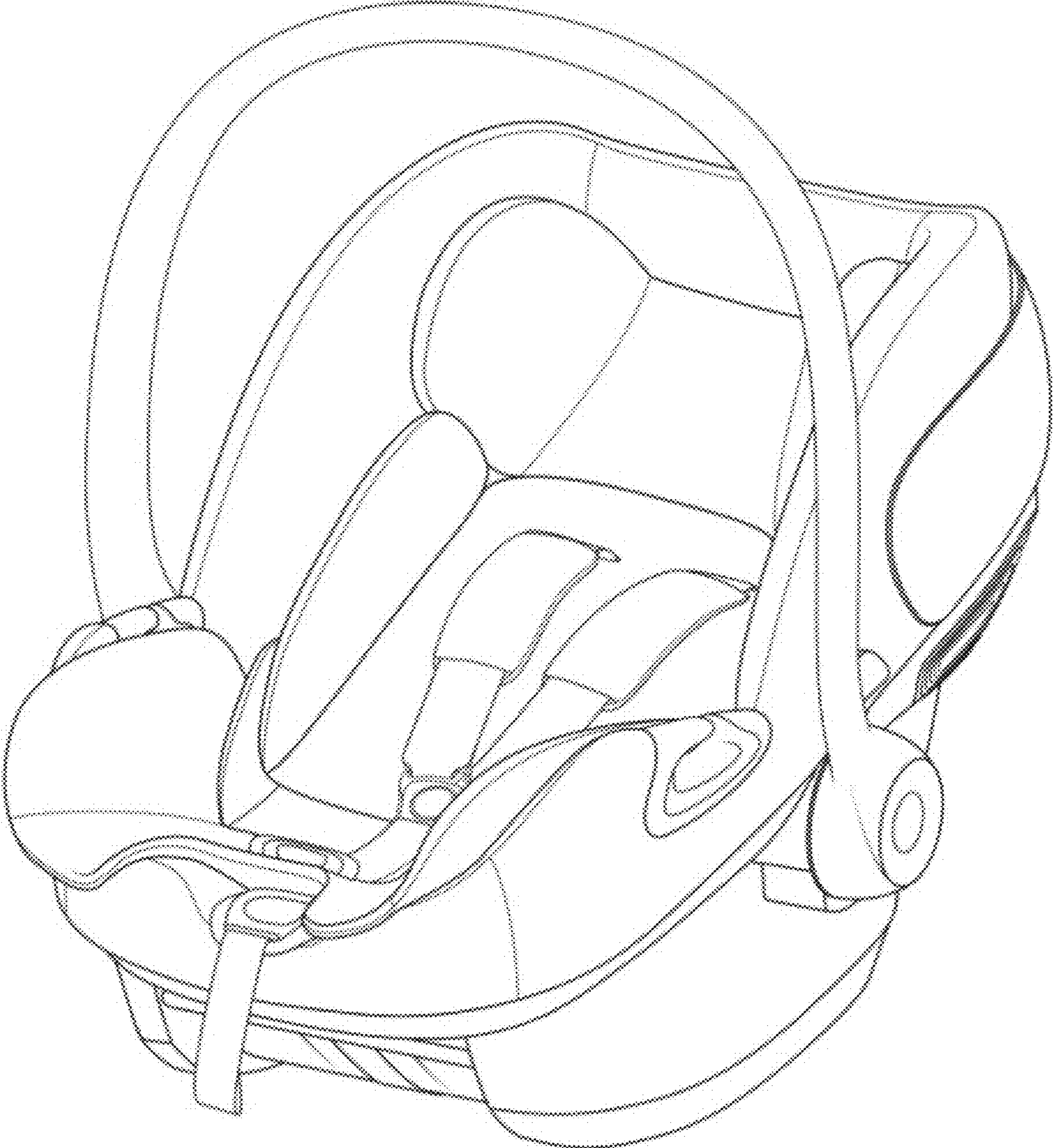
1.6



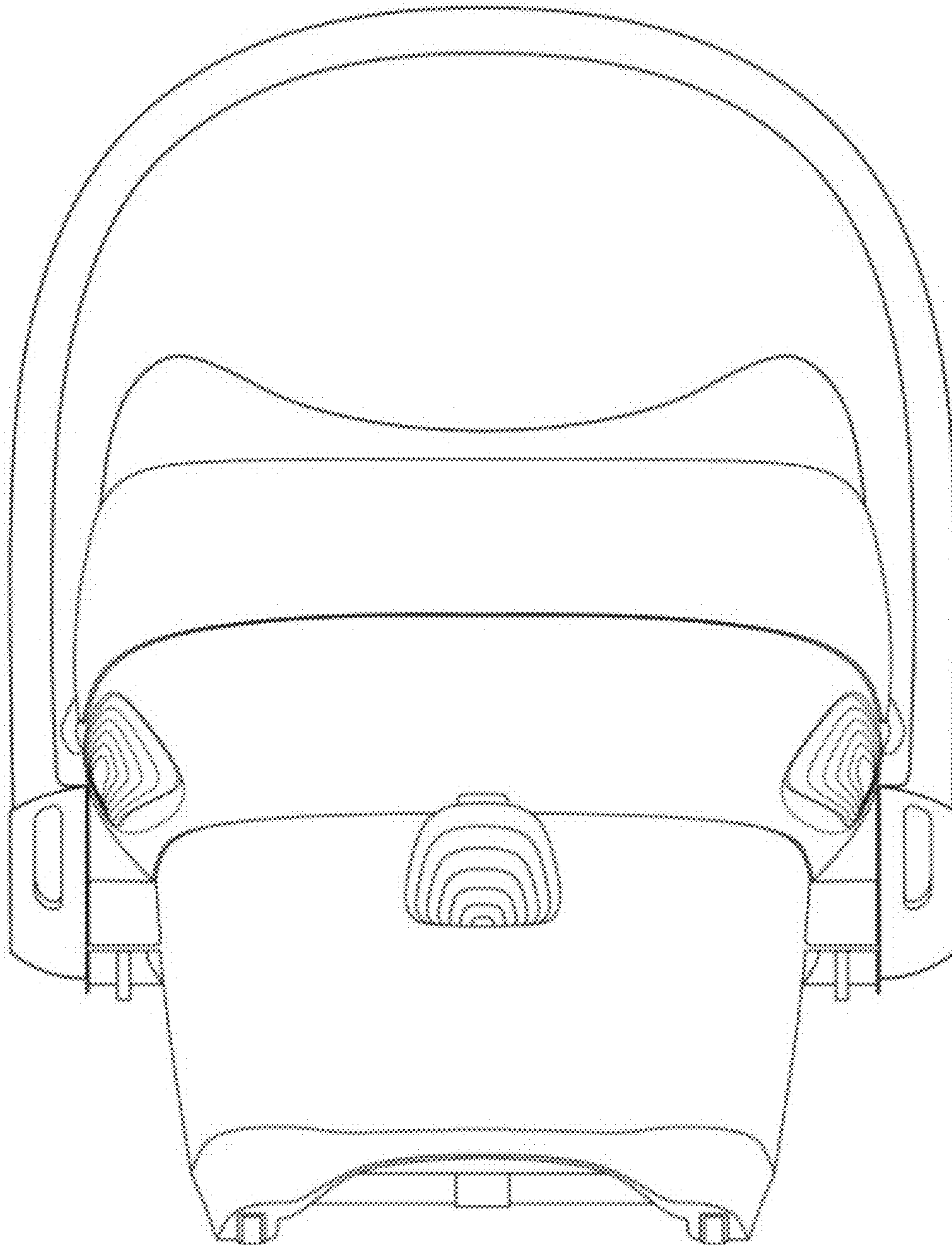
1.7



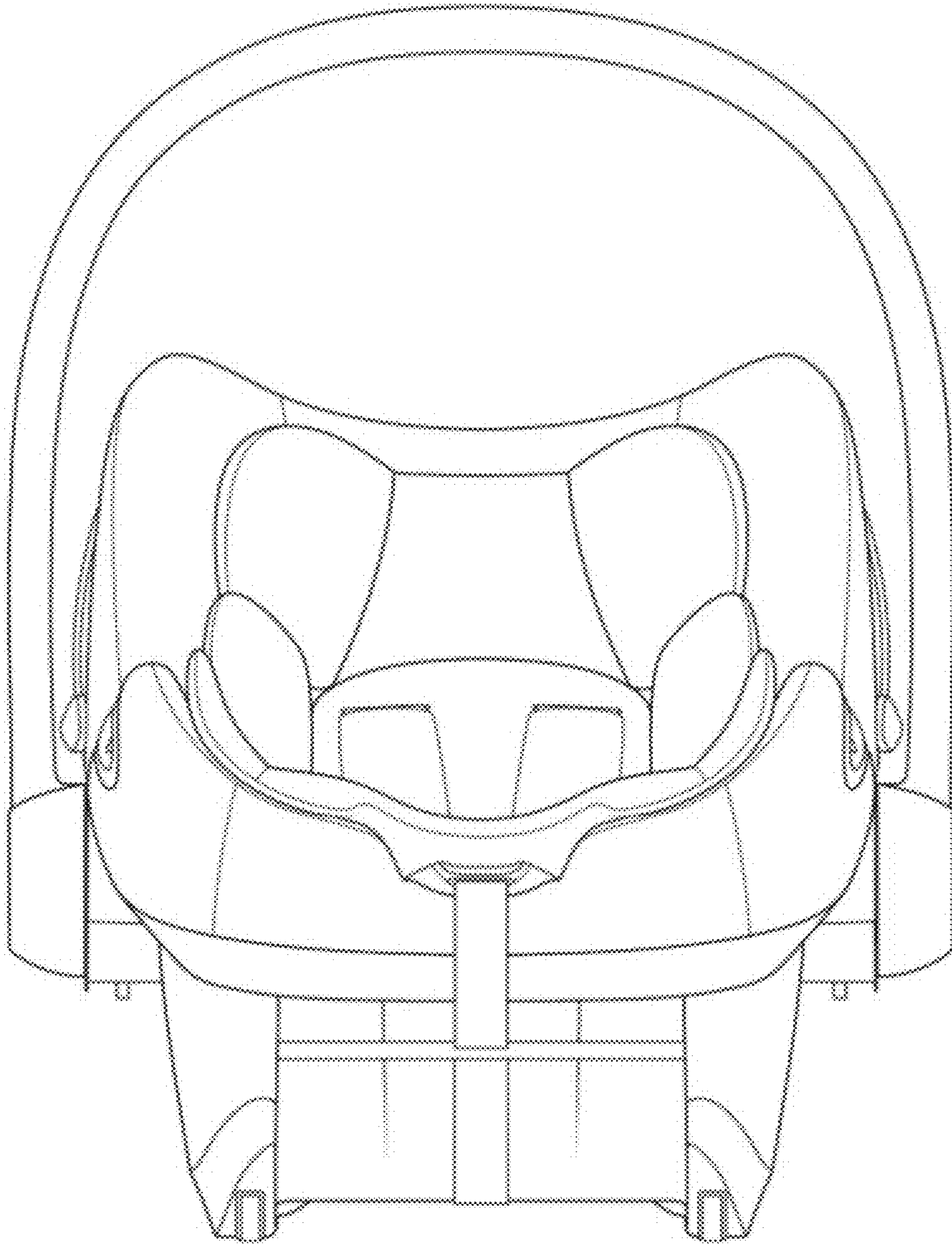
2.1



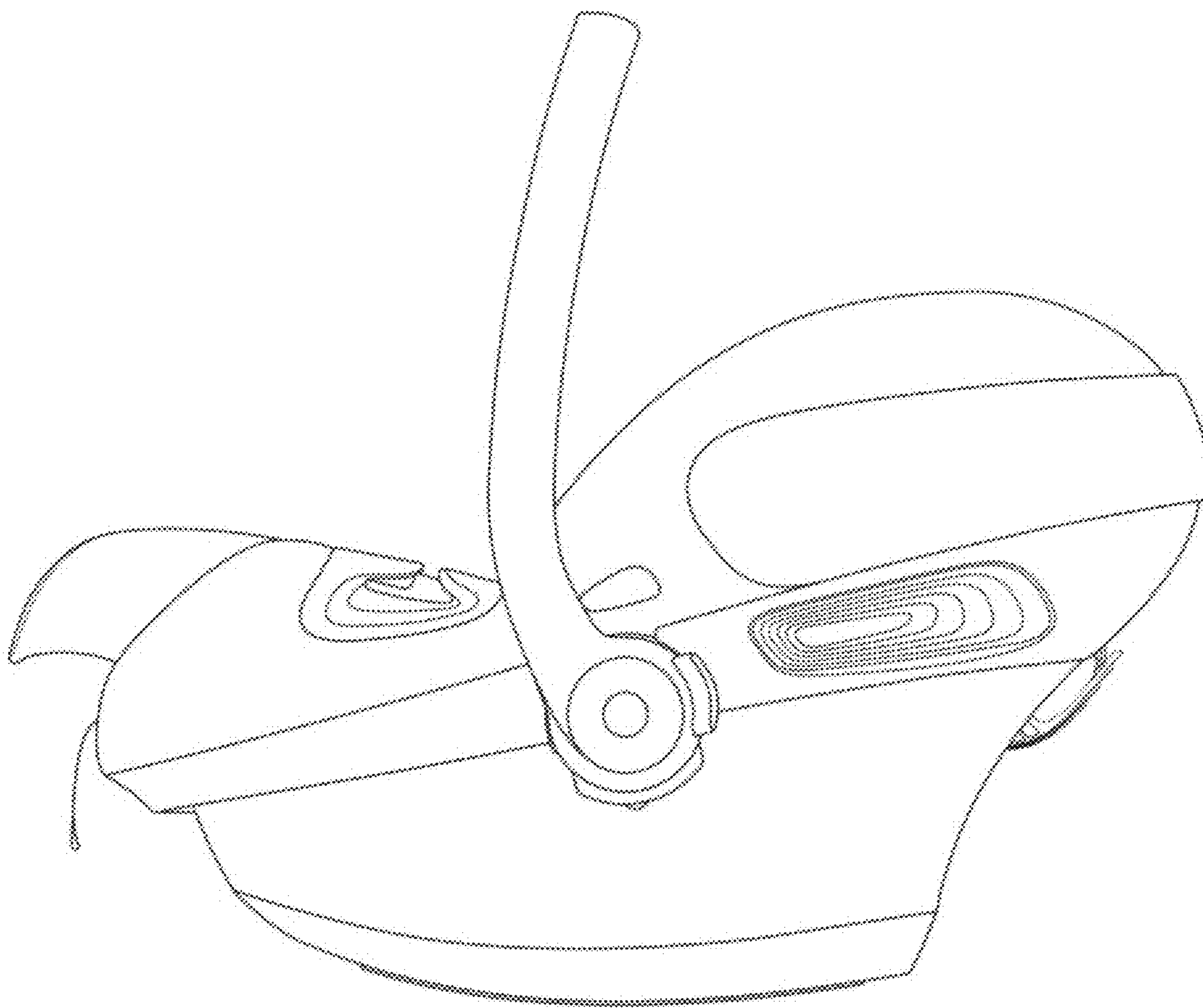
2.2



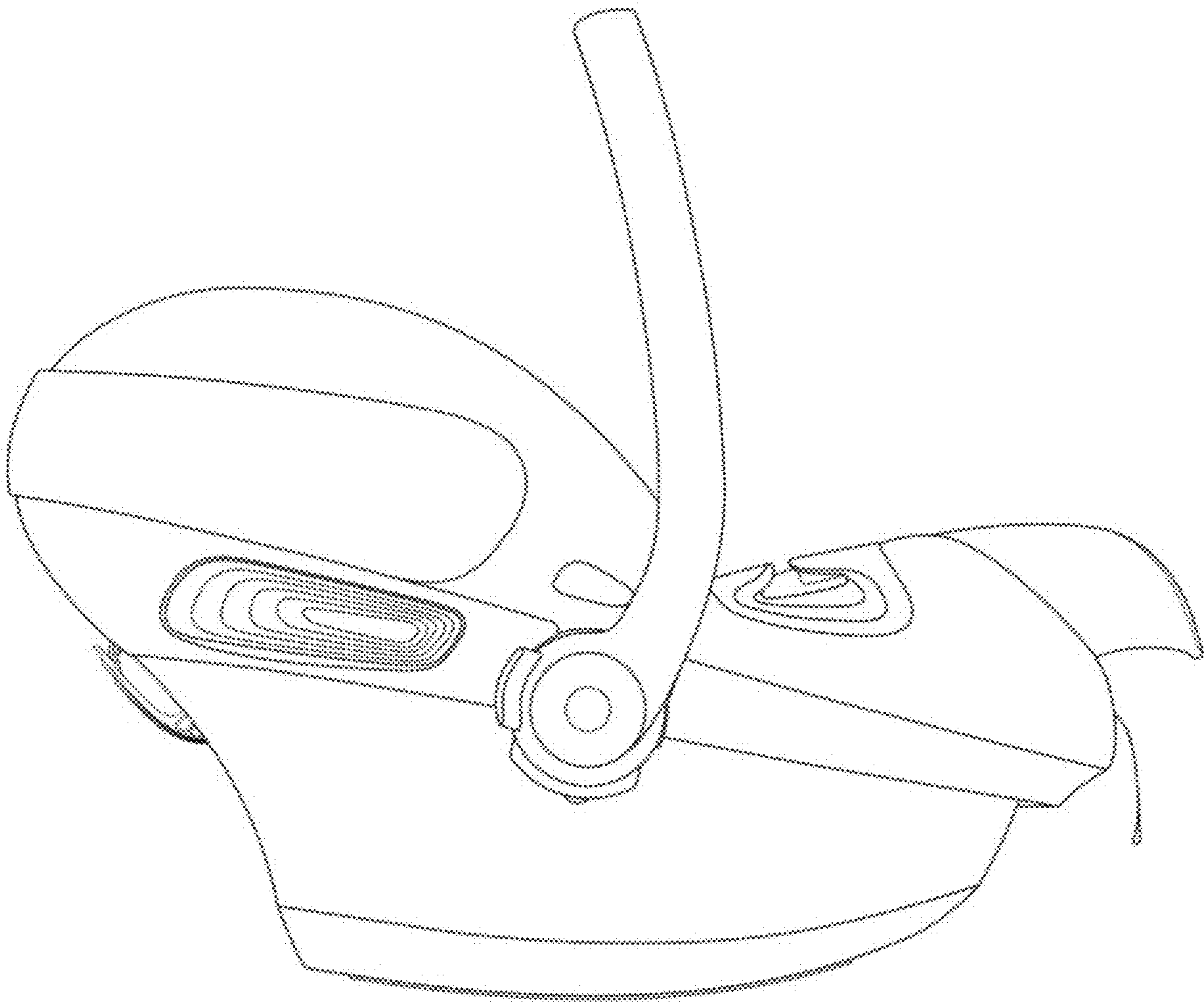
2.3



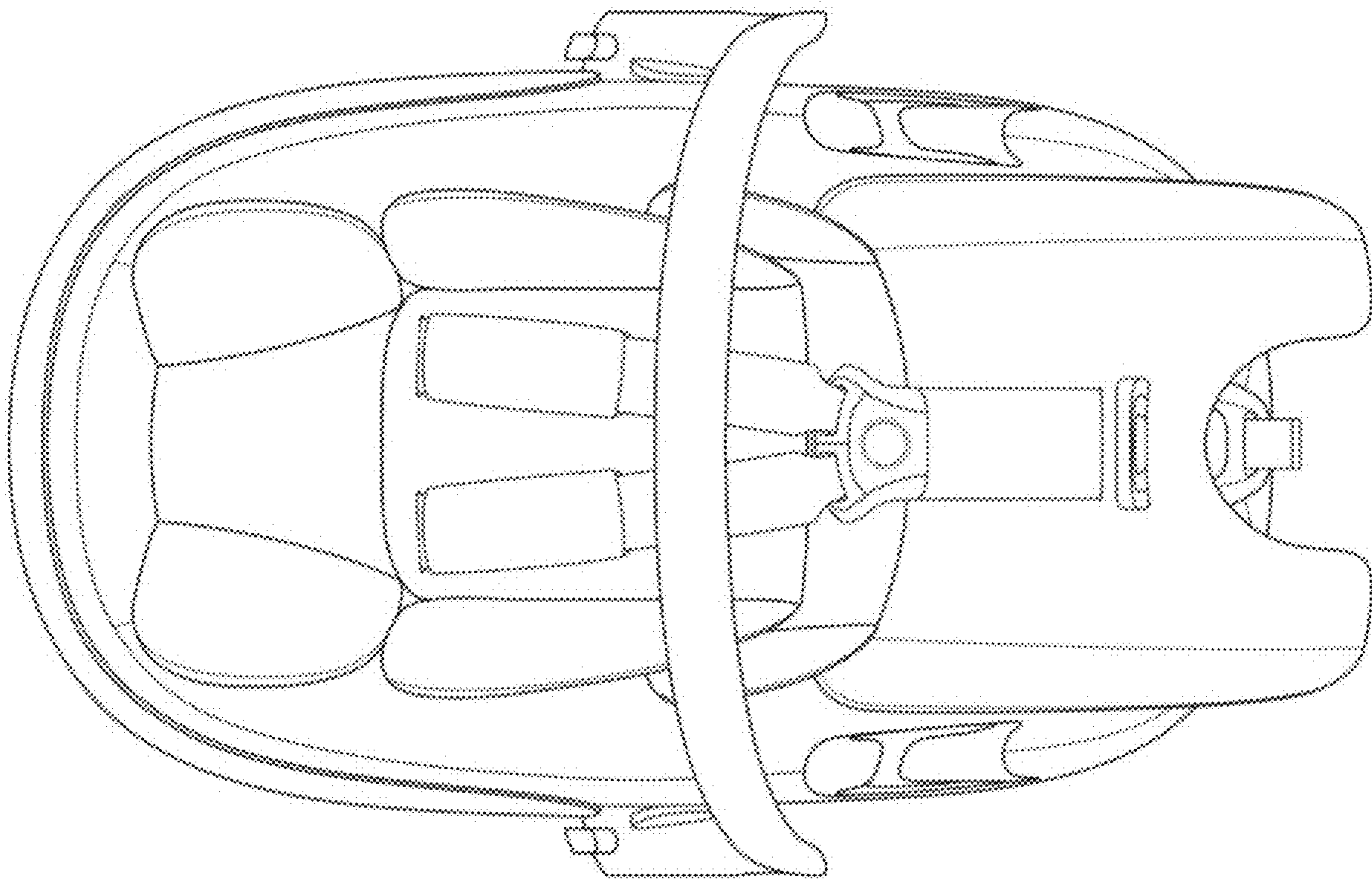
2.4



2.5



2.6



2.7

