



US00D847517S

(12) **United States Design Patent** (10) **Patent No.:** **US D847,517 S**
Rosenzweig (45) **Date of Patent:** **** May 7, 2019**

(54) **BRUSH**

(71) Applicant: **J & D Brush Co., LLC**, Hauppauge, NY (US)

(72) Inventor: **Jeffrey S. Rosenzweig**, Hauppauge, NY (US)

(73) Assignee: **J & D BRUSH CO., LLC**, Hauppauge, NY (US)

(**) Term: **15 Years**

(21) Appl. No.: **29/659,371**

(22) Filed: **Aug. 8, 2018**

Related U.S. Application Data

(62) Division of application No. 29/630,614, filed on Dec. 21, 2017, now Pat. No. Des. 828,040, which is a (Continued)

(51) **LOC (11) Cl.** **04-02**

(52) **U.S. Cl.**
USPC **D4/138**

(58) **Field of Classification Search**

USPC D4/117, 129, 130, 132, 134, 136, 138; D28/21, 28, 30, 64.4, 64.7, 73; D32/49; 15/106, 110, 186

CPC A45D 24/00; A45D 24/10; A45D 24/14; A46B 1/00; A46B 5/00; A46B 5/02; A46B 5/021; A46B 3/005; A46B 3/20; A46B 3/22; A46B 7/02; A46B 7/04; A46B 9/00; A46B 9/005; A46B 9/02; A46B 9/023; A46B 9/025; A46B 15/002; A46B 15/0051; A46B 15/0085; A46B 15/0087; A46B 15/0095; A46B 2200/10; A46B 2200/102; A46B 2200/104; A46B 2200/1093; A46B 2200/205

See application file for complete search history.

(56) **References Cited**

U.S. PATENT DOCUMENTS

1,128,667 A * 2/1915 DuPuy A46B 3/16
15/176.6
1,948,990 A * 2/1934 Mitlehner A46B 15/00
340/664

(Continued)

OTHER PUBLICATIONS

Wet Brush Shower Flex Detangle IntelliFlex Bristles Hair Brush Travel Pink, [on-line]; [review posted to the Internet on Jul. 13, 2018]; [retrieved from the Internet on Feb. 13, 2019]; URL: see first page of provided copy. (4 pgs). (Year: 2018).*

Primary Examiner — Karen E Eldridge Powers

Assistant Examiner — Jasmine Mlinarcik

(74) *Attorney, Agent, or Firm* — Gloria Tsui-Yip, Esq.; Gottlieb, Rackman & Reisman, P.C.

(57) **CLAIM**

The ornamental design for a brush, as shown and described.

DESCRIPTION

FIG. 1 is a front elevational view of a brush showing my new design;

FIG. 2 is a rear elevational view thereof;

FIG. 3 is a left side elevational view thereof;

FIG. 4 is a right side elevational view thereof;

FIG. 5 is a top plan view thereof;

FIG. 6 is a bottom plan view thereof;

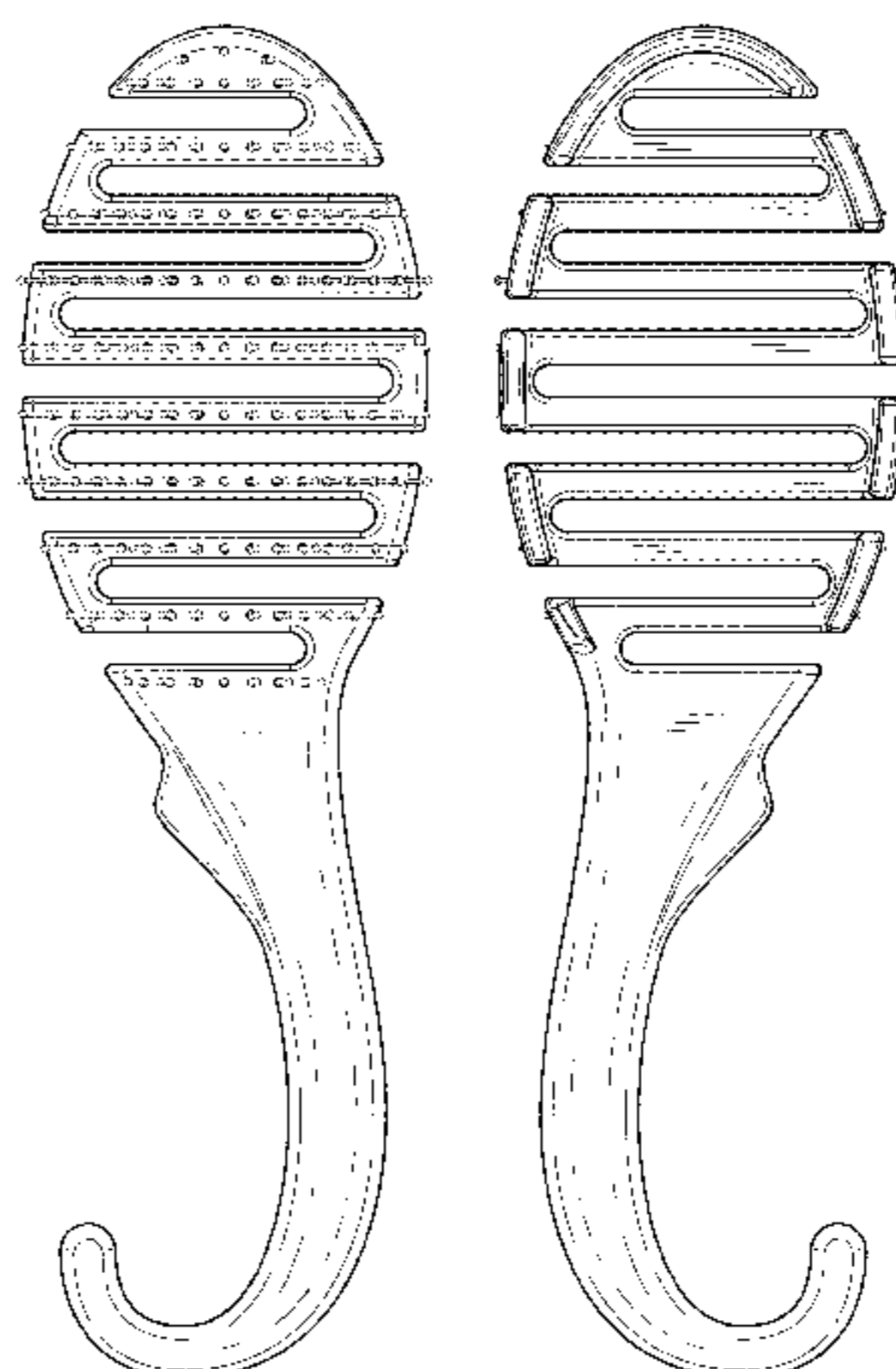
FIG. 7 is a perspective view thereof;

FIG. 8 is another perspective view thereof; and,

FIG. 9 is an enlarged detail view of the brush, taken from FIG. 7.

The broken lines showing the brush tips illustrate environmental matter which form no part of the claimed design. The

(Continued)



dot-dash-dot broken lines in FIGS. 7 and 9 define the bounds of the enlarged detail view and form no part of the claimed design.

1 Claim, 6 Drawing Sheets

Related U.S. Application Data

division of application No. 29/574,345, filed on Aug. 15, 2016, now Pat. No. Des. 815,839.

(56) **References Cited**

U.S. PATENT DOCUMENTS

D366,567	S	*	1/1996	Gertsma	D4/133
D455,560	S	*	4/2002	Kim	D4/133
D543,704	S	*	6/2007	Leung	D4/133
D749,326	S	*	2/2016	Rennette	D4/121
D764,808	S	*	8/2016	Rosenzweig	D4/132
9,402,460	B2	*	8/2016	Hickey	A46B 9/023
D782,829	S	*	4/2017	Park	D4/138
D784,705	S	*	4/2017	York	D4/128
D815,839	S	*	4/2018	Rosenzweig	D4/136
D820,603	S	*	6/2018	Yoon	D4/138
D828,040	S	*	9/2018	Rosenzweig	D4/138

* cited by examiner

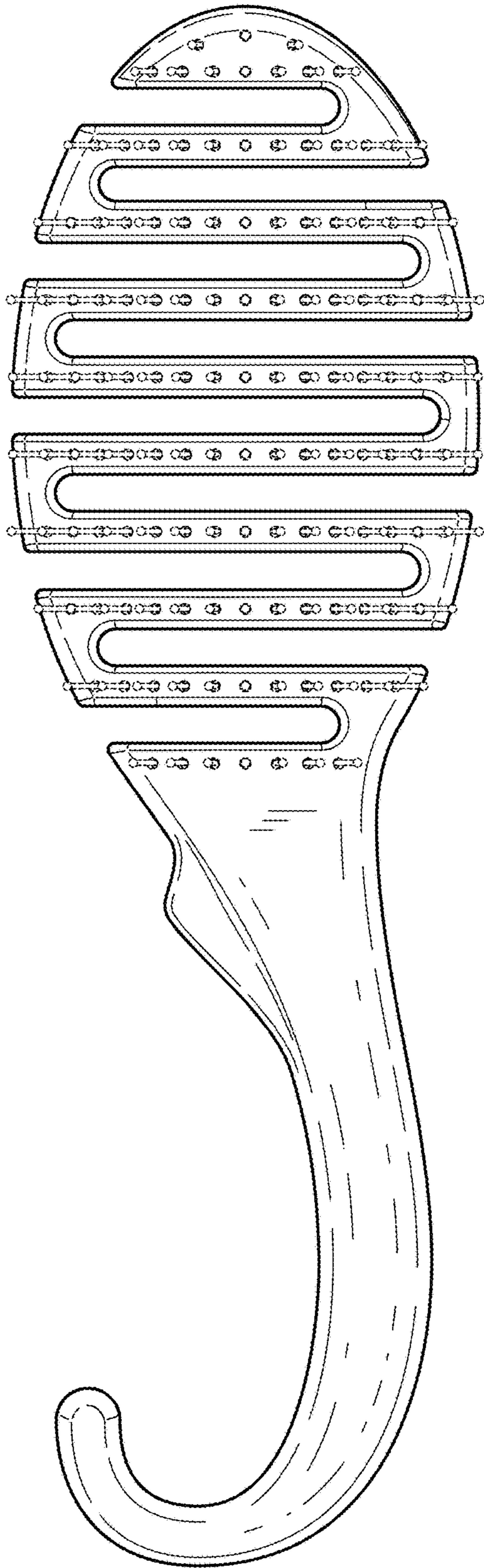


FIG. 1

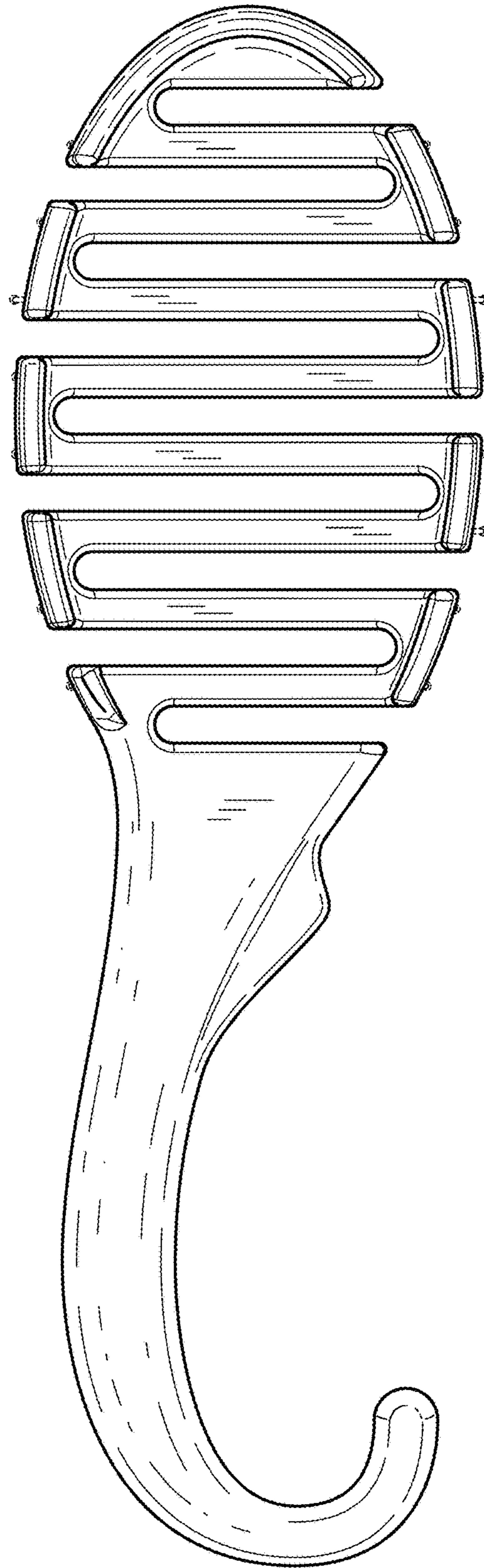


FIG. 2

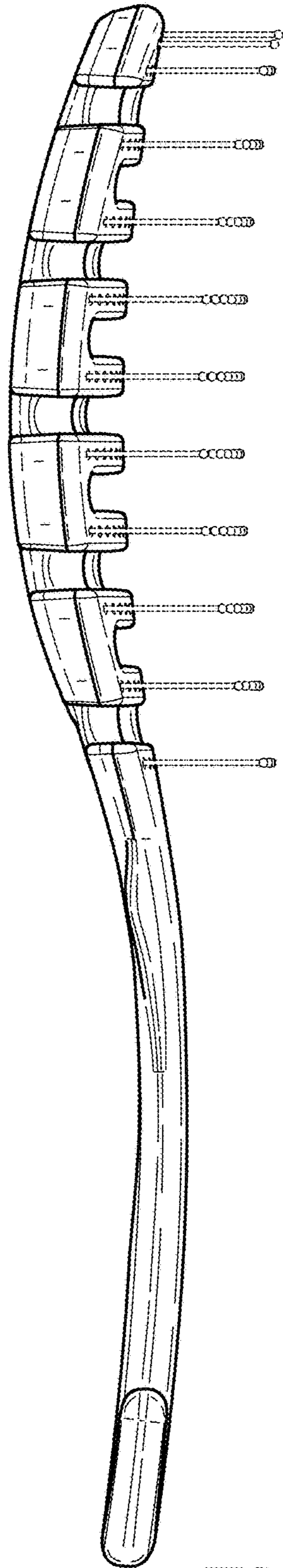


FIG. 3

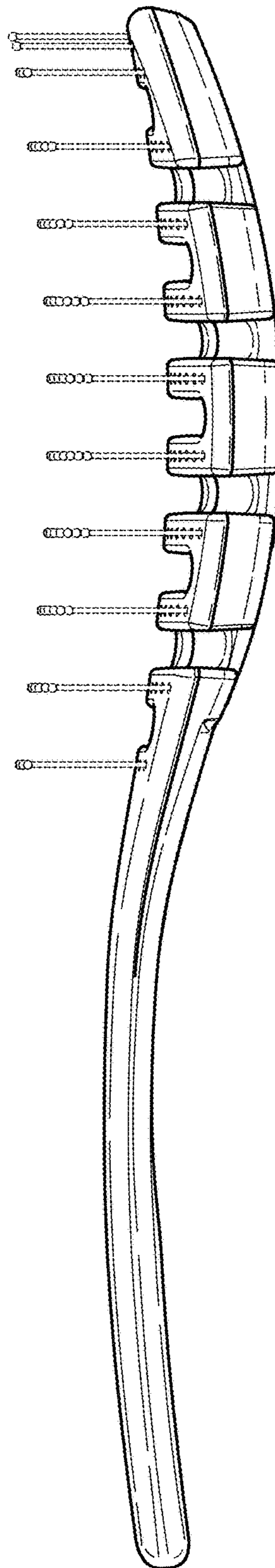


FIG. 4

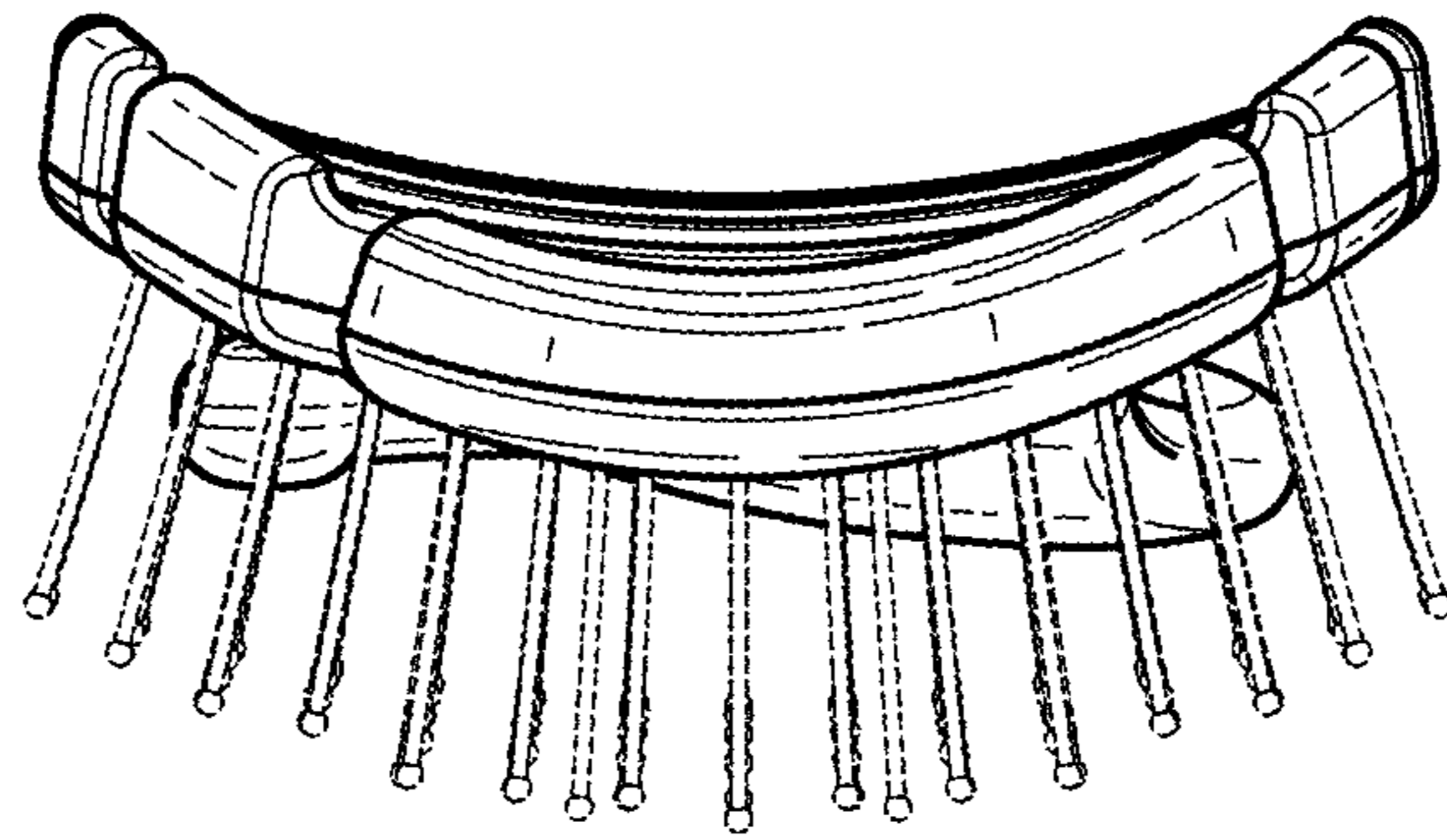


FIG. 5

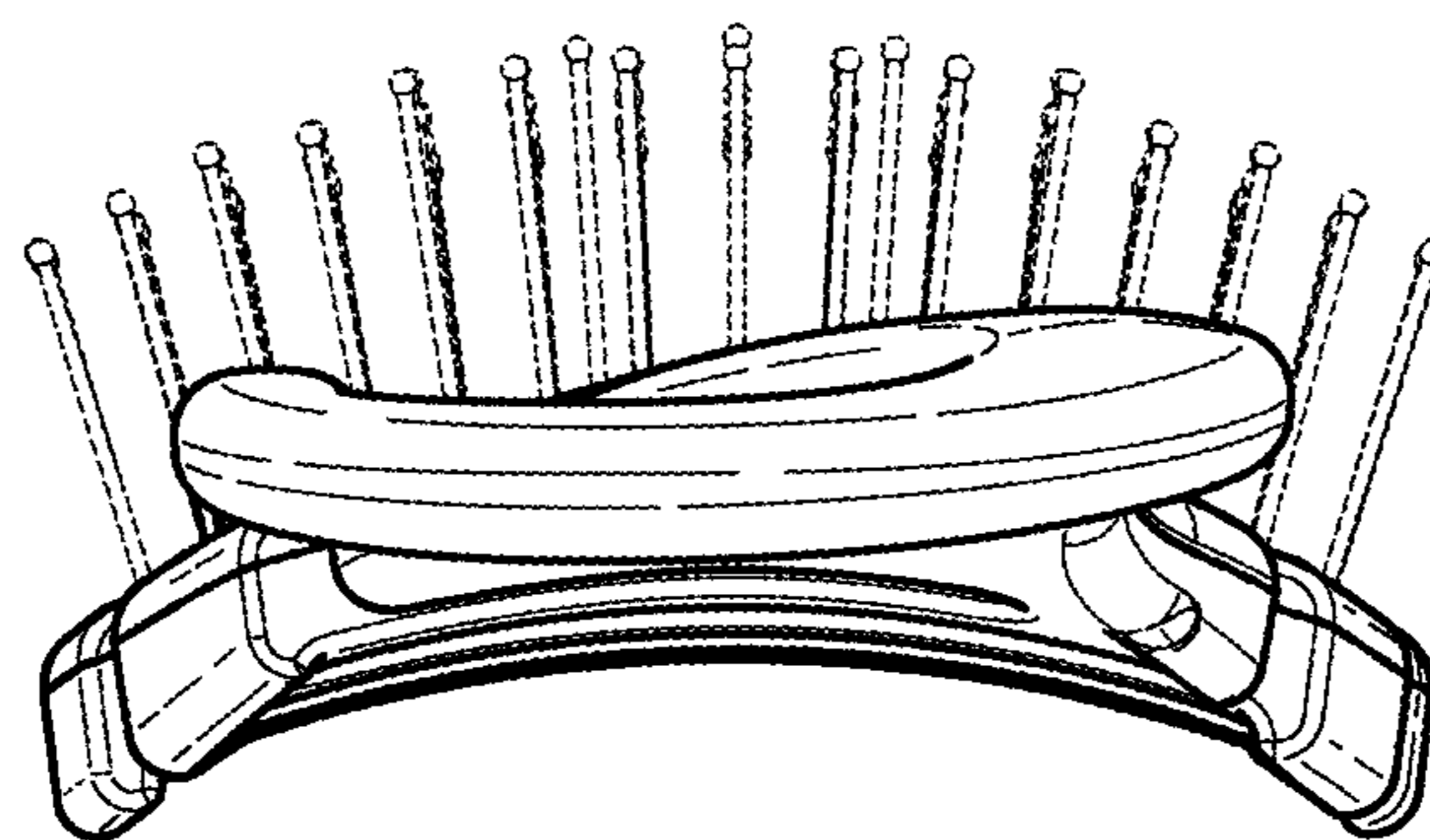


FIG. 6

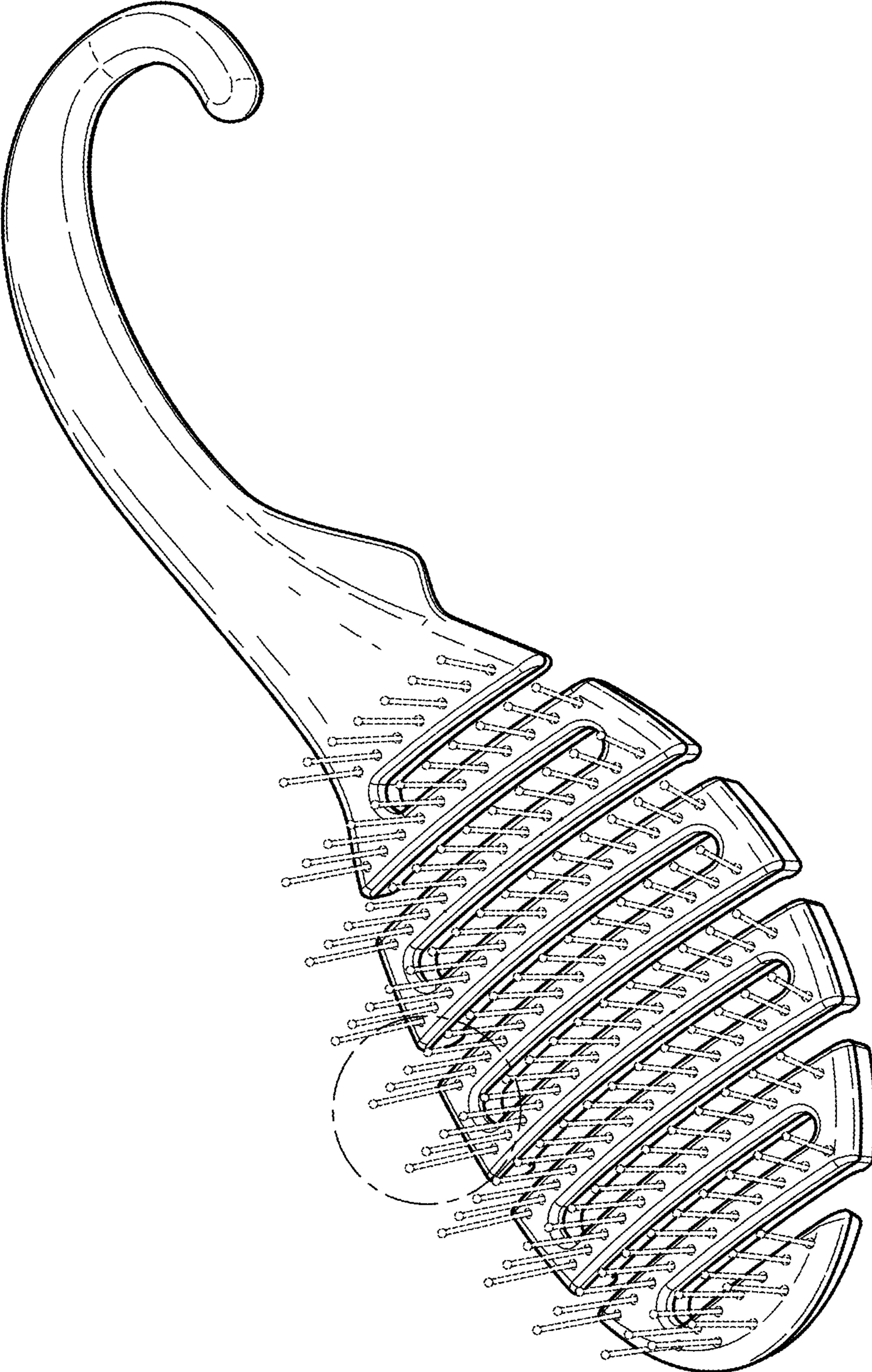


FIG. 7

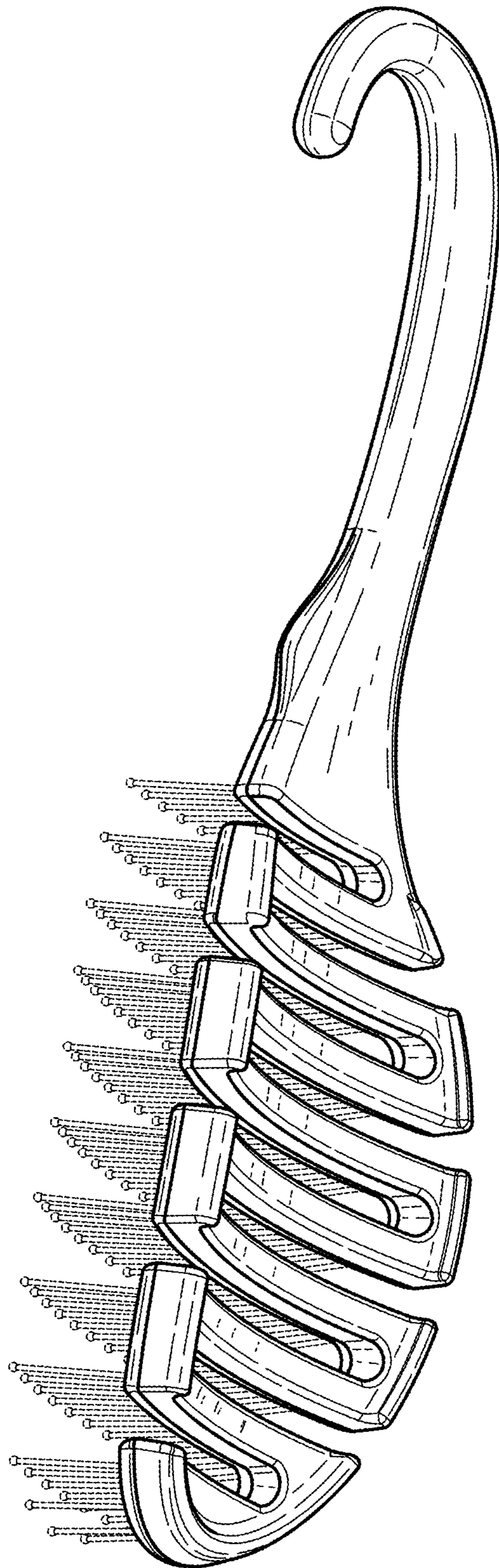


FIG. 8

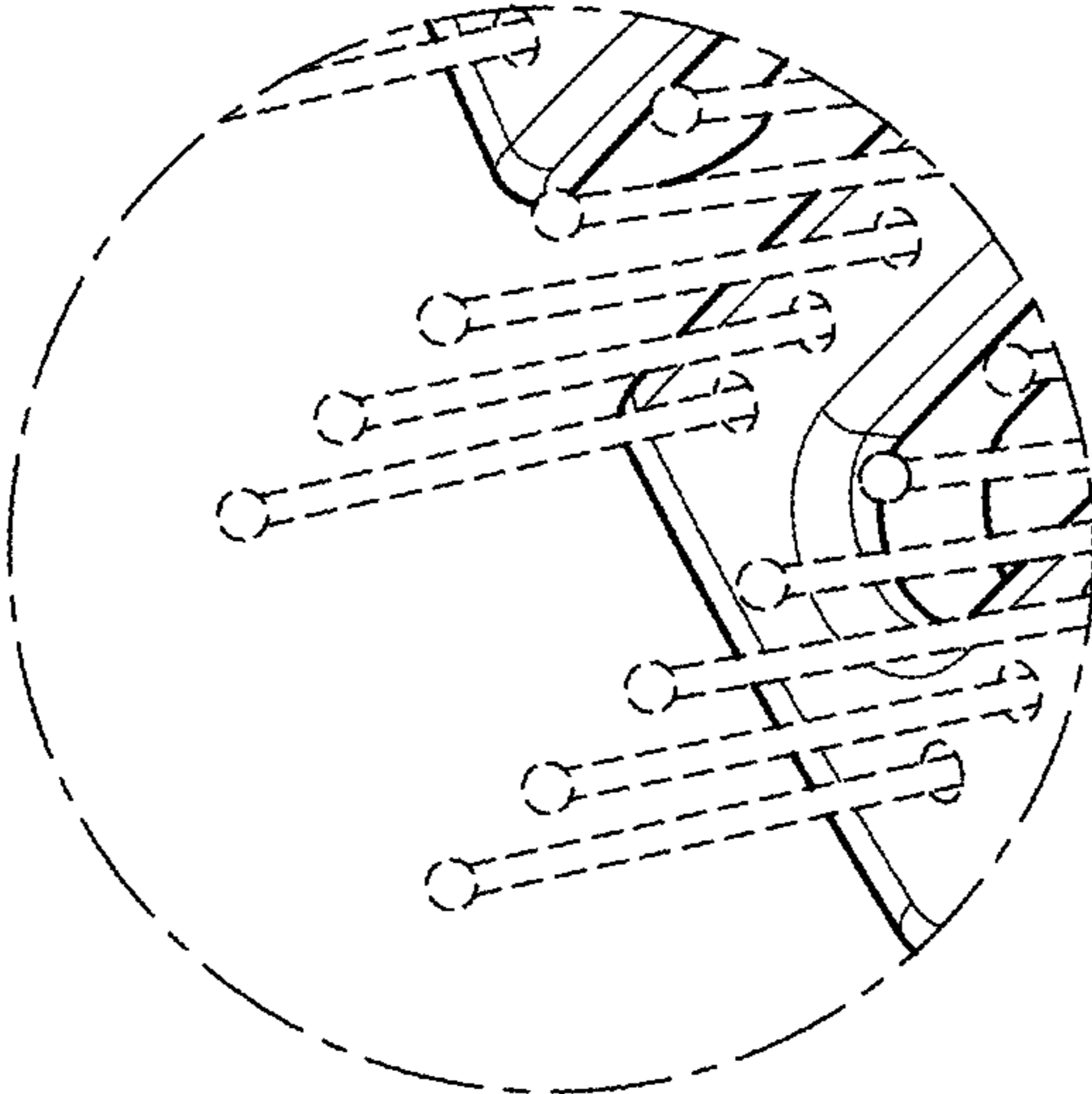


FIG. 9