



US00D847515S

(12) **United States Design Patent** (10) **Patent No.:** **US D847,515 S**
Renner et al. (45) **Date of Patent:** **** May 7, 2019**

(54) **BRUSH**
(71) Applicant: **3M INNOVATIVE PROPERTIES COMPANY**, St. Paul, MN (US)
(72) Inventors: **Megan E. Renner**, St. Paul, MN (US); **Matthew D. Chaffee**, Minneapolis, MN (US); **Mark W. Baldwin**, Woodbury, MN (US); **Michael C. Mooney**, Coon Rapids, MN (US)

D479,050 S 9/2003 Hay
D575,518 S 8/2008 Libman
D577,203 S * 9/2008 Meyer D4/129
D586,561 S 2/2009 Libman
D591,513 S * 5/2009 McNeil D4/129
(Continued)

(73) Assignee: **3M INNOVATIVE PROPERTIES COMPANY**, St. Paul, MN (US)

FOREIGN PATENT DOCUMENTS

CN 300906353 4/2009
CN 301178452 4/2010
(Continued)

(**) Term: **15 Years**

OTHER PUBLICATIONS

“Gordon Brush 905505 Economy Version .013 Polypropylene and Plastic Handle Scrub Brush Case of 12”, Product available on unbeatable.com, [retrieved from the internet on Dec. 22, 2017, URL <<https://www.unbeatable.com/gdnbr1776.html>>, 2 Pages.
(Continued)

(21) Appl. No.: **29/621,604**

(22) Filed: **Oct. 10, 2017**

(51) **LOC (11) Cl.** **04-01**

(52) **U.S. Cl.**
USPC **D4/129**

(58) **Field of Classification Search**
USPC D4/116, 117, 118, 119, 120, 132, 134, D4/138, 130, 136, 199, 122, 137, 104, D4/129; D8/107; D32/40, 51
CPC A46B 5/02; A46B 9/02; A46B 2200/3033; A46B 2200/30
See application file for complete search history.

Primary Examiner — Karen E Eldridge Powers
(74) *Attorney, Agent, or Firm* — Irina Hass

(57) **CLAIM**

The ornamental design for a brush, as shown and described.

DESCRIPTION

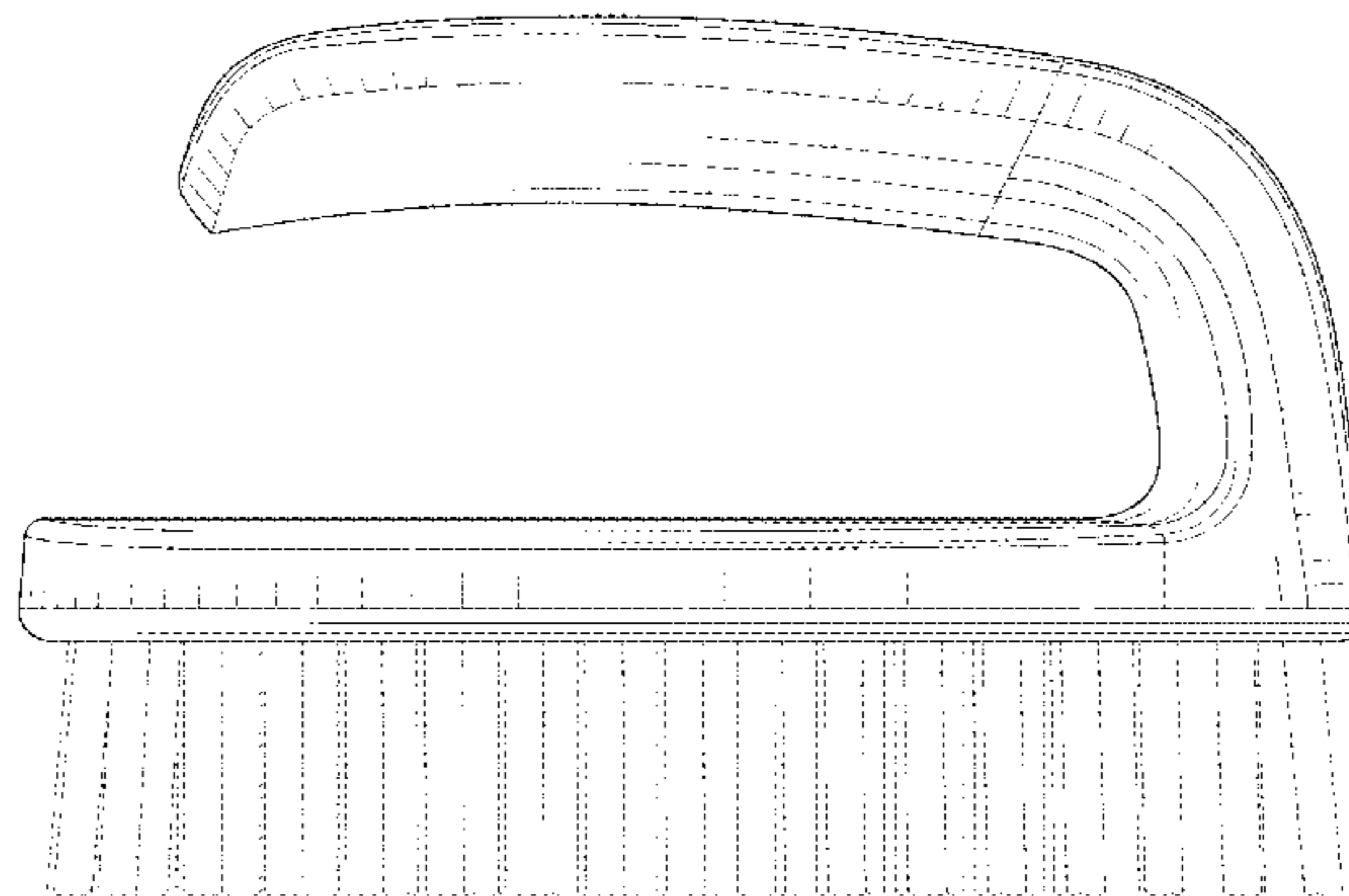
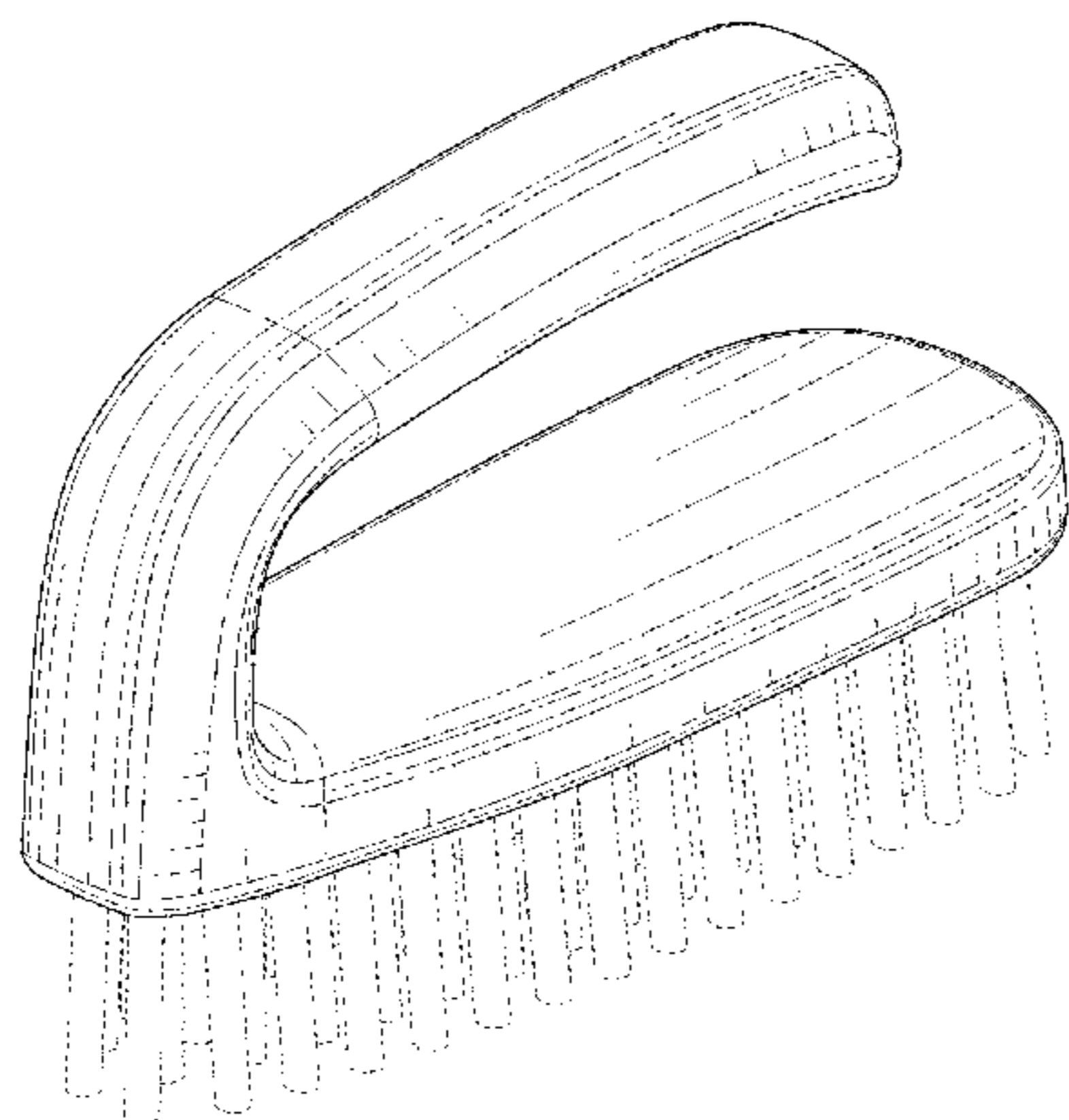
FIG. 1 is a perspective view showing the new design for a brush;
FIG. 2 is a front elevation view thereof;
FIG. 3 is a rear elevation view thereof;
FIG. 4 is a left side elevation view thereof;
FIG. 5 is a right side elevation view thereof;
FIG. 6 is a top thereof; and,
FIG. 7 is a bottom plan view thereof.
The portions of the brush in FIGS. 1-5 and 7 shown in broken lines are included to show features that form no part of the claimed design.

(56) **References Cited**

U.S. PATENT DOCUMENTS

D329,752 S * 9/1992 Murphy D4/129
5,355,545 A * 10/1994 Hoagland A46B 5/00
132/73.5
D398,427 S * 9/1998 Berti D32/52
6,081,958 A * 7/2000 Van Staagen A46B 5/04
15/114
D439,414 S * 3/2001 Birdwell D32/52
D449,451 S * 10/2001 Petner D4/129
D469,613 S * 2/2003 Libman D32/52

1 Claim, 7 Drawing Sheets



(56)

References Cited

U.S. PATENT DOCUMENTS

D630,438 S * 1/2011 Raven D4/129
 D715,060 S 10/2014 Evans

FOREIGN PATENT DOCUMENTS

CN	301798270	1/2012
CN	301808337	1/2012
CN	302478975	6/2013
CN	302811336	5/2014
CN	303086488	1/2015
CN	303362514	9/2015
CN	303695820	6/2016
CN	304017432	1/2017
DE	402011000540-0001	2/2011
EM	000026364-0004	8/2003
EM	002287003-0001	8/2013
GB	3024556	7/2006
GB	4009657	* 12/2008
GB	4009660	* 12/2008
KR	300792280.0000	4/2015
TR	201105749-0004	9/2011
TR	201308250-003	2/2014

OTHER PUBLICATIONS

“Libman Power Scrub Brush”, Product available on Amazon, [retrieved from the internet on Dec. 22, 2017, URL <<https://www.amazon.com/LIBMAN-C0-00057-Libman-Power/dp/B002MV74WC>>, 3 Pages.

“Lysol Iron Handle Scrub Brush”, Product available on Quickie.com, [retrieved from the internet on Dec. 22, 2017, URL <<https://www.quickie.com/lysol-iron-handle-scrub-brush/1036020.html>>, 1 Page.

“OXO Good Grips All Purpose Scrub Brush”, Product available on Amazon [retrieved from the internet on Dec. 22, 2017, URL <https://www.amazon.com/OXO-Grips-Household-Scrub-Brush/dp/B00004OCL3/ref=pd_lpo_vtph_201_bs_tr_img_1/144-56373911980029?_encoding=UTF8&&psc=1&&refRID=FB585BPFEEY7NSZ5134F&&dpID=41MYNC%252B8qnL&&preST=_SY300_QL70_&&dpSrc=detail>, 3 pages.

“Quickie—Clean Results Iron Handle Scrub Brush”, Product available on Lowe’s, [retrieved from the internet on Dec. 22, 2017, URL <<https://www.lowes.com/pd/Quickie-Clean-Results-Iron-Handle-Scrub-Brush/3175601>>, 2 Pages.

“Quickie Iron-Handle All-Purpose Scrub Brush”, Product available on Amazon [retrieved from the internet on Dec. 22, 2017, URL <<https://www.amazon.com/Quickie-Iron-Handle-All-Purpose-Scrub-Brush/dp/B0002T7Q0G>>, 3 Pages.

“Scrub Buddies Soft-Grip Handled Scrub Brushes”, Product available on Dollar Tree, [retrieved from the internet on Dec. 22, 2017, URL <<https://www.dollartree.com/Scrub-Buddies-Soft-Grip-Handled-Scrub-Brushes/p303718/index.pro>>, 1 Page.

* cited by examiner

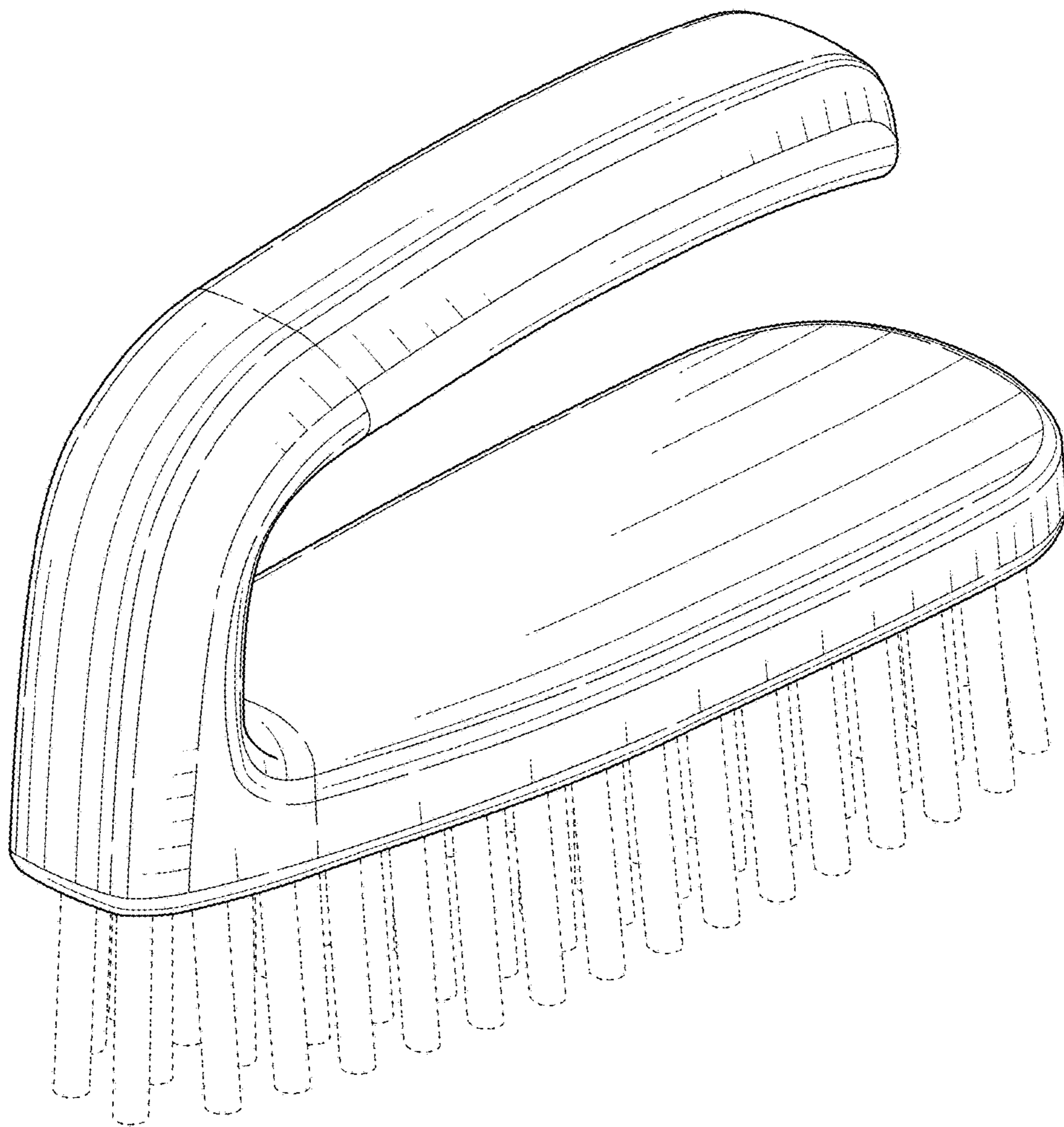


FIG. 1

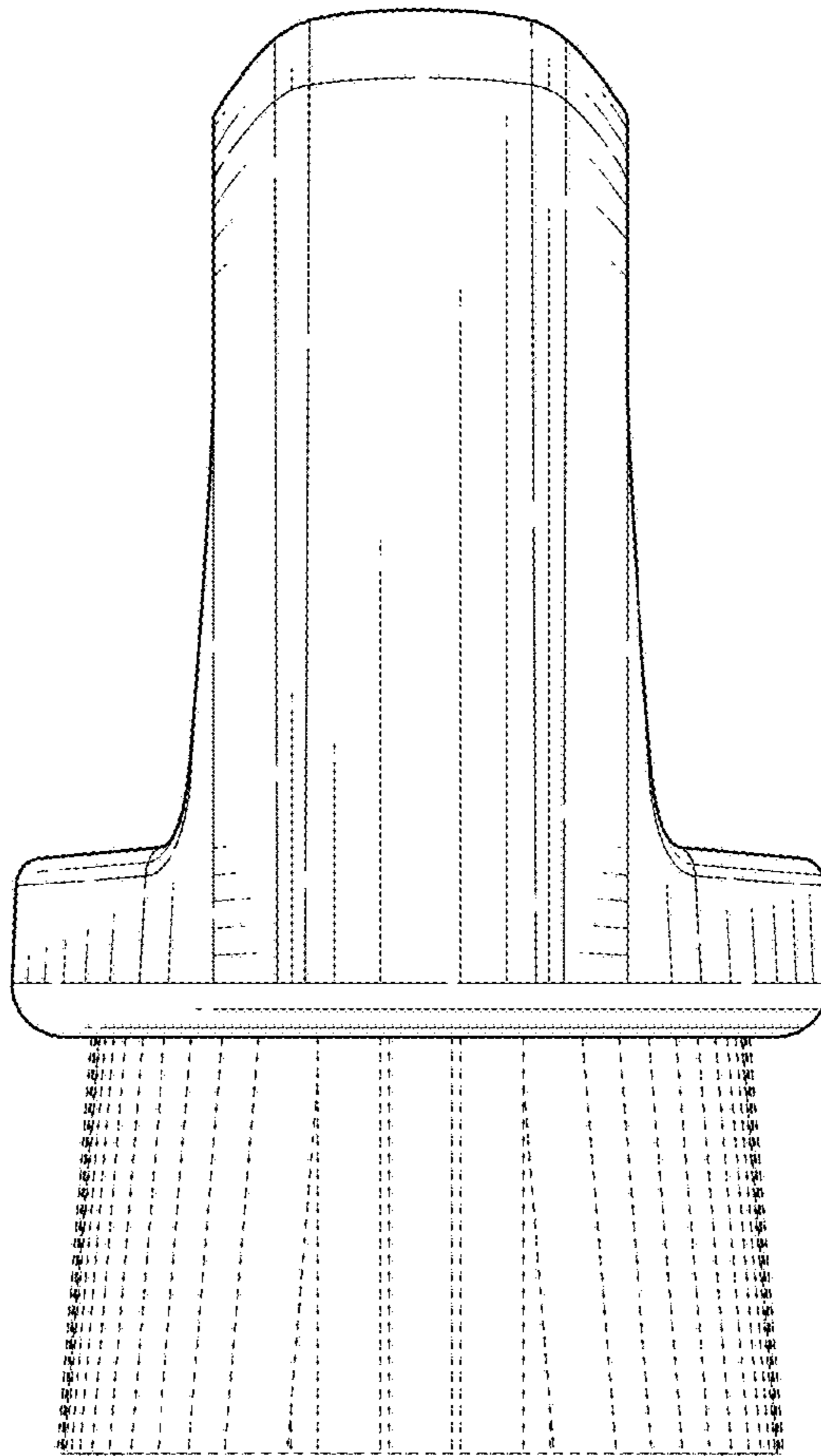


FIG. 2

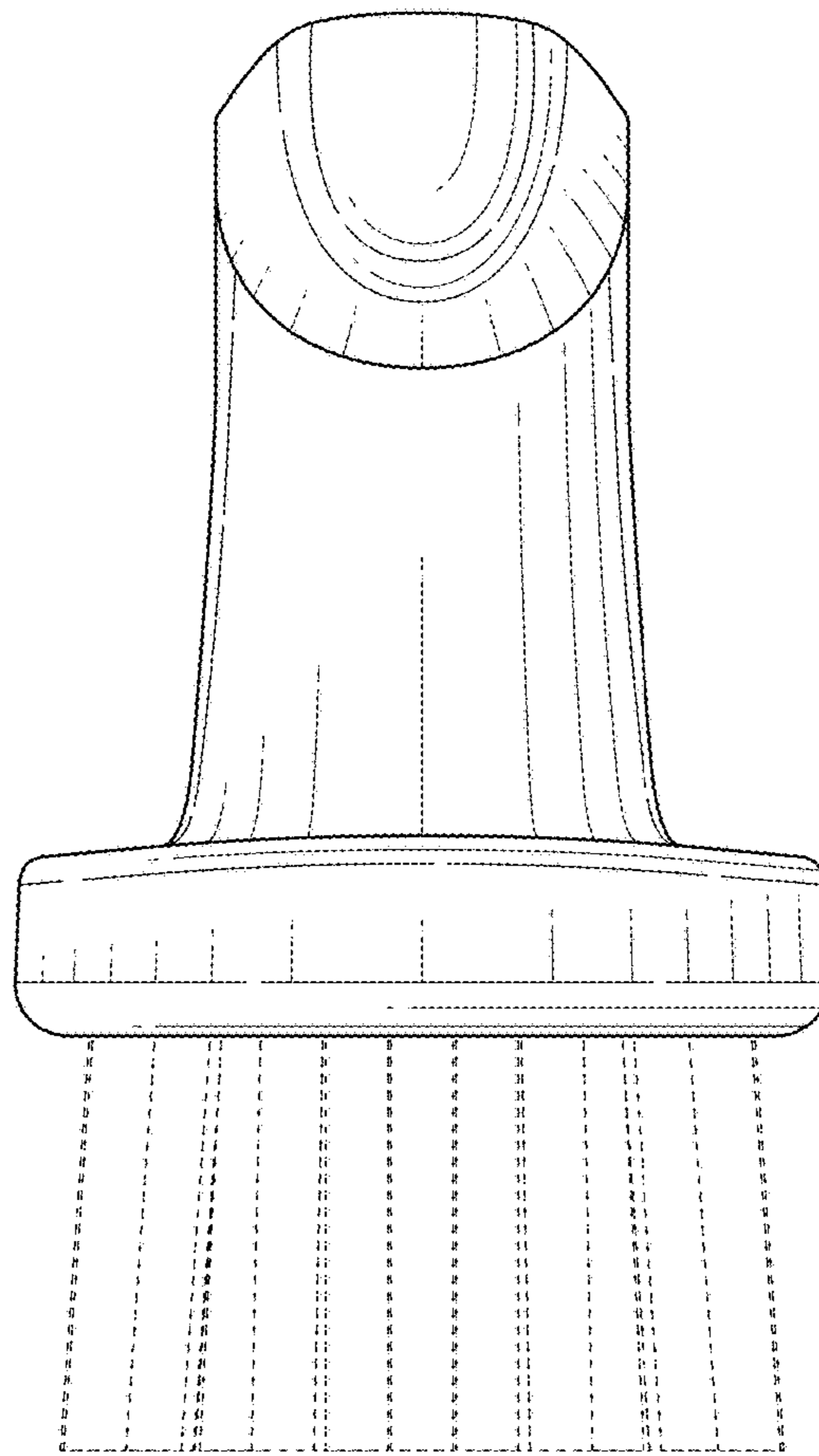


FIG. 3

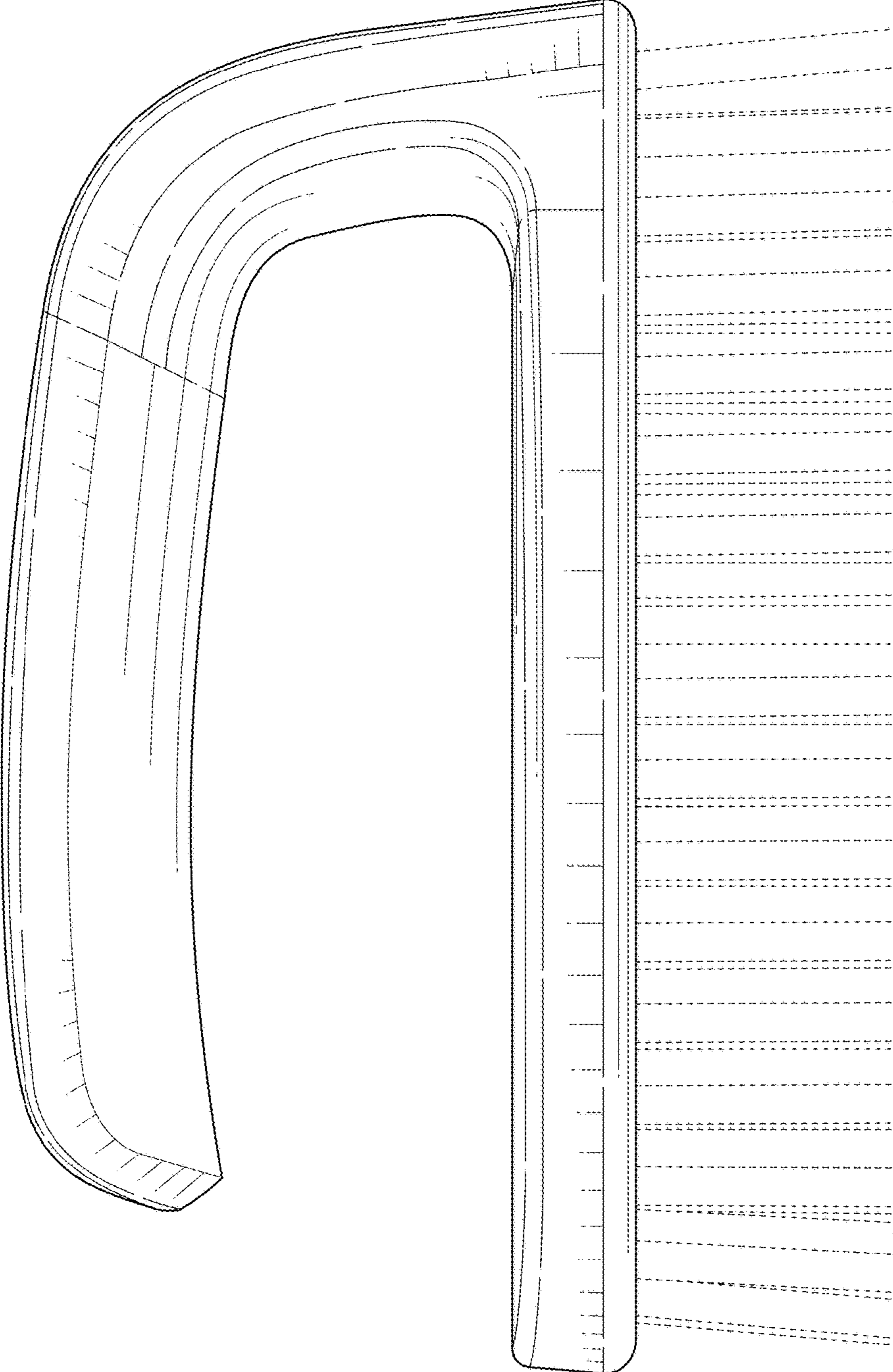


FIG. 4

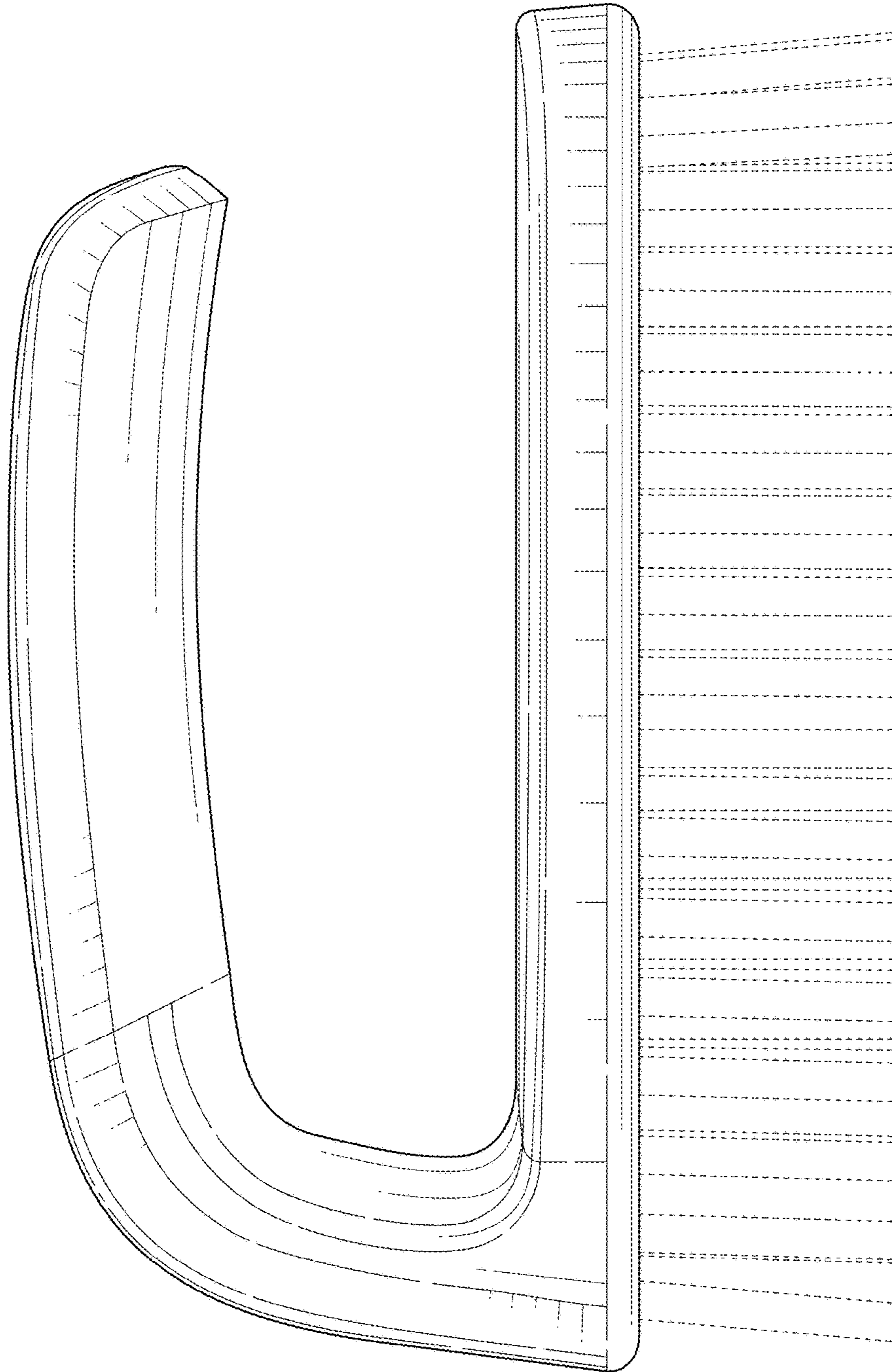


FIG. 5

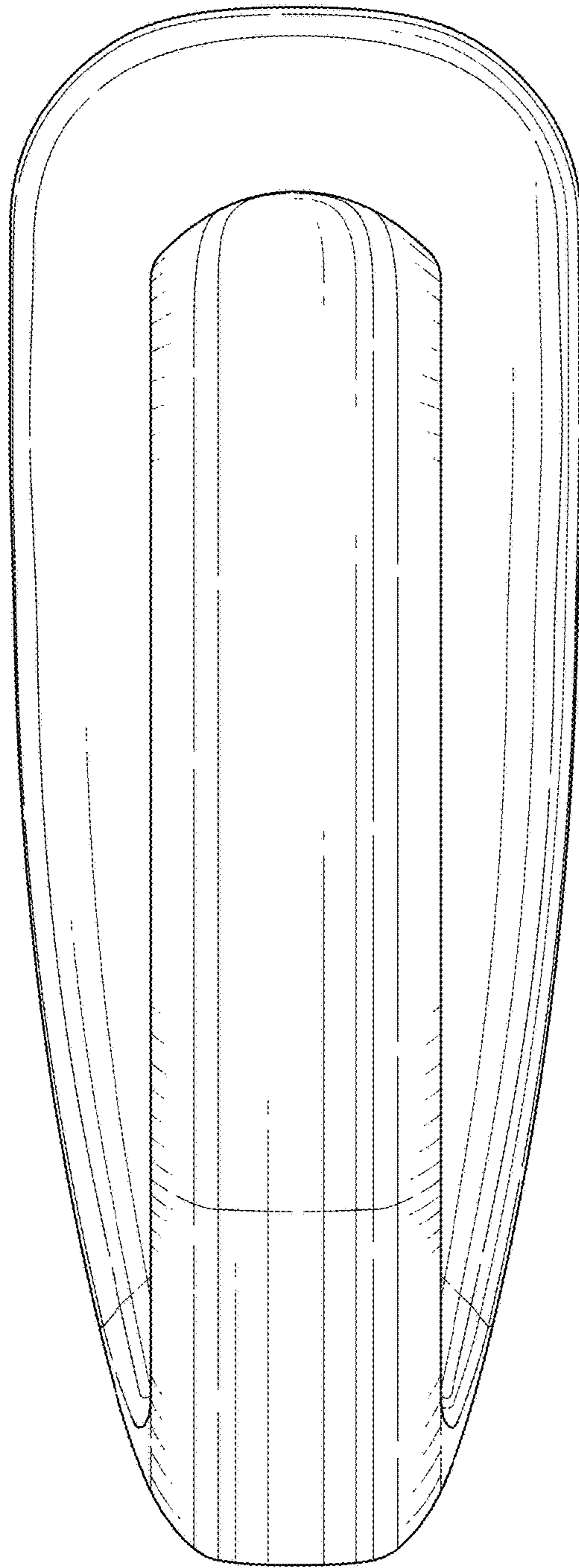


FIG. 6

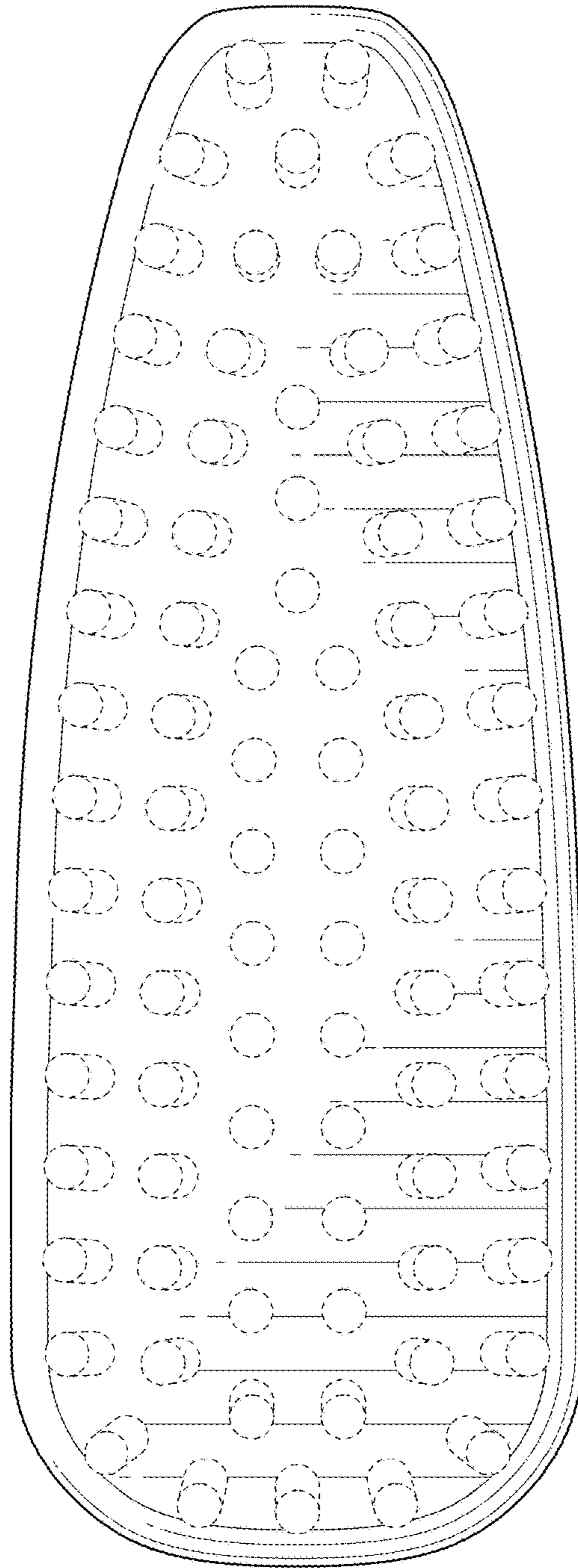


FIG. 7