



US00D847505S

(12) **United States Design Patent** (10) **Patent No.:** **US D847,505 S**
Tonelli (45) **Date of Patent:** **** May 7, 2019**

(54) **TRUNK**
(71) Applicant: **G.T. LINE S.R.L.**, Frazione Crespellano (IT)

(72) Inventor: **Massimo Tonelli**, Bologna (IT)

(73) Assignee: **G.T. LINE S.R.L.**, Frazione Crespellano (IT)

(**) Term: **15 Years**

(21) Appl. No.: **29/609,007**

(22) Filed: **Jun. 27, 2017**

(30) **Foreign Application Priority Data**

Dec. 27, 2016 (EM) 003542364

(51) **LOC (11) Cl.** **03-01**

(52) **U.S. Cl.**
USPC **D3/279**; D3/905; D3/262

(58) **Field of Classification Search**
USPC D3/203.2, 203.3, 203.6, 205, 273, 279,
D3/276, 284, 294, 302, 901, 903, 905,
D3/298, 262
CPC A45C 5/00; A45C 5/04; A45C 5/14; A45C
11/00
See application file for complete search history.

(56) **References Cited**

U.S. PATENT DOCUMENTS

D321,985 S * 12/1991 Ward D3/282
D336,984 S * 7/1993 VanSkiver D3/262
D353,048 S * 12/1994 VanSkiver D3/273
D374,772 S * 10/1996 Hotaling D3/273
D462,519 S * 9/2002 Gaydos D3/276
D467,426 S * 12/2002 Hardigg D3/276
D482,529 S * 11/2003 Hardigg D3/276
D520,237 S * 5/2006 Cheng D3/276
D574,150 S * 8/2008 Ross D3/272
D579,202 S * 10/2008 Grenier D3/294

D607,207 S * 1/2010 Horiyama D3/279
D627,165 S * 11/2010 Habersetzer D3/284
D727,620 S * 4/2015 Tonelli D3/276

(Continued)

OTHER PUBLICATIONS

Explorer Cases, "15416 G", Accessed Feb. 22, 2018. (<http://www.explorercases.com/en/products/15416/15416-g-copolymer-polypropylene-waterproof-case/>).*

Primary Examiner — Jennifer Rivard

Assistant Examiner — April Rivas

(74) *Attorney, Agent, or Firm* — Cantor Colburn LLP

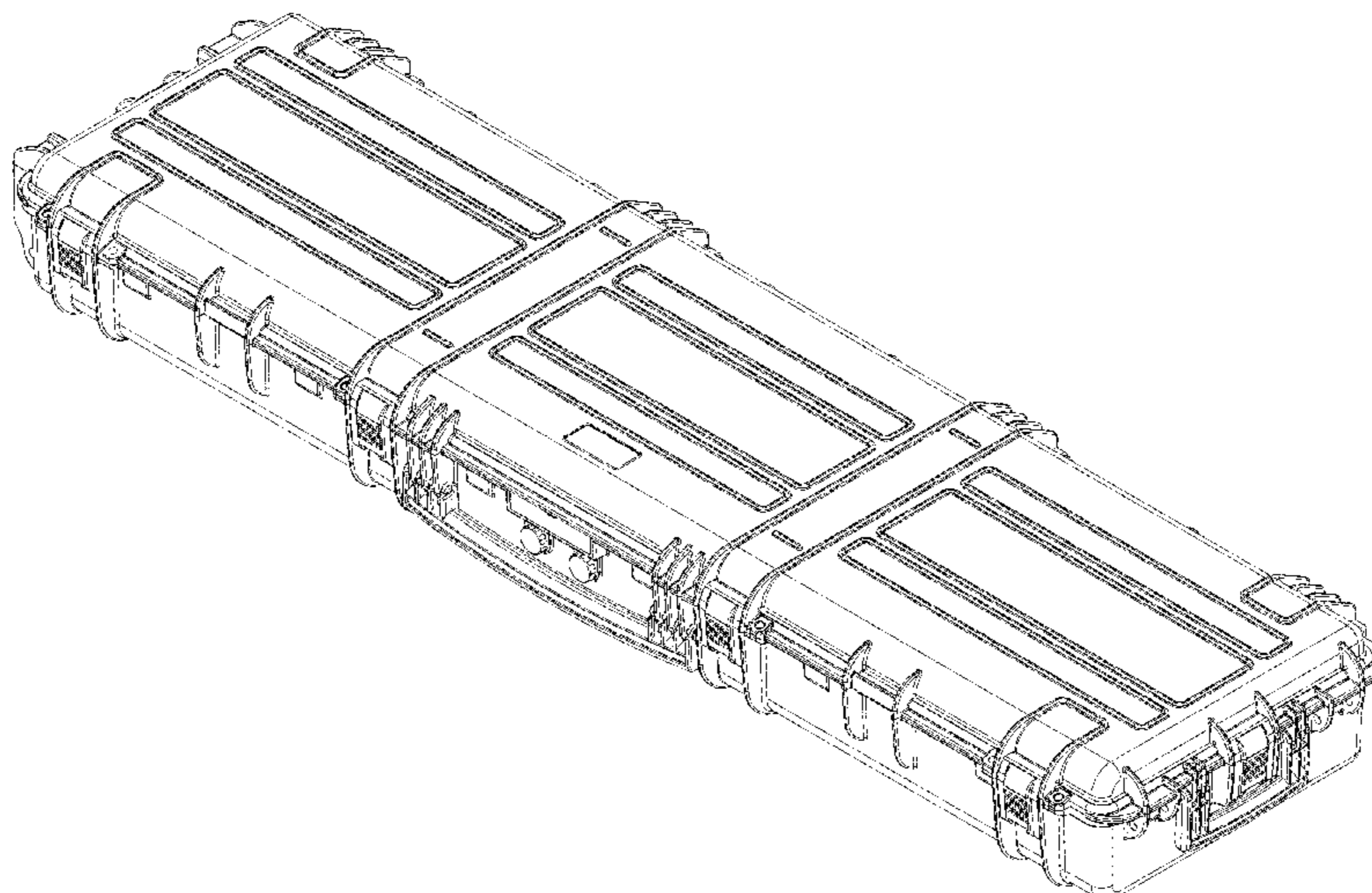
(57) **CLAIM**

I claim, the ornamental design for a trunk, as shown and described.

DESCRIPTION

FIG. 1 is a front perspective view, taken from above, of a trunk showing my new design;
FIG. 2 is a front view thereof;
FIG. 3 is a rear view thereof;
FIG. 4 is a left side view thereof;
FIG. 5 is a right side view thereof;
FIG. 6 is a top view thereof;
FIG. 7 is a bottom view thereof;
FIG. 8 is a rear perspective view thereof, taken from below;
FIG. 9 is a front perspective view, taken from above, of the trunk in another embodiment;
FIG. 10 is a front view thereof;
FIG. 11 is a rear view thereof;
FIG. 12 is a left side view thereof;
FIG. 13 is a right side view thereof;
FIG. 14 is a top view thereof;
FIG. 15 is a bottom view thereof; and,
FIG. 16 is a rear perspective view thereof, taken from below.
The broken lines illustrate portions of the trunk and form no part of the claimed design.

1 Claim, 16 Drawing Sheets



(56)

References Cited

U.S. PATENT DOCUMENTS

D758,729 S * 6/2016 Tonelli D3/279
D779,822 S * 2/2017 Grenier D3/279
D810,433 S * 2/2018 Ballou D3/276
2002/0043534 A1* 4/2002 Uke A45C 5/02
220/4.21
2006/0278485 A1* 12/2006 Tonelli A45F 3/14
190/116

* cited by examiner

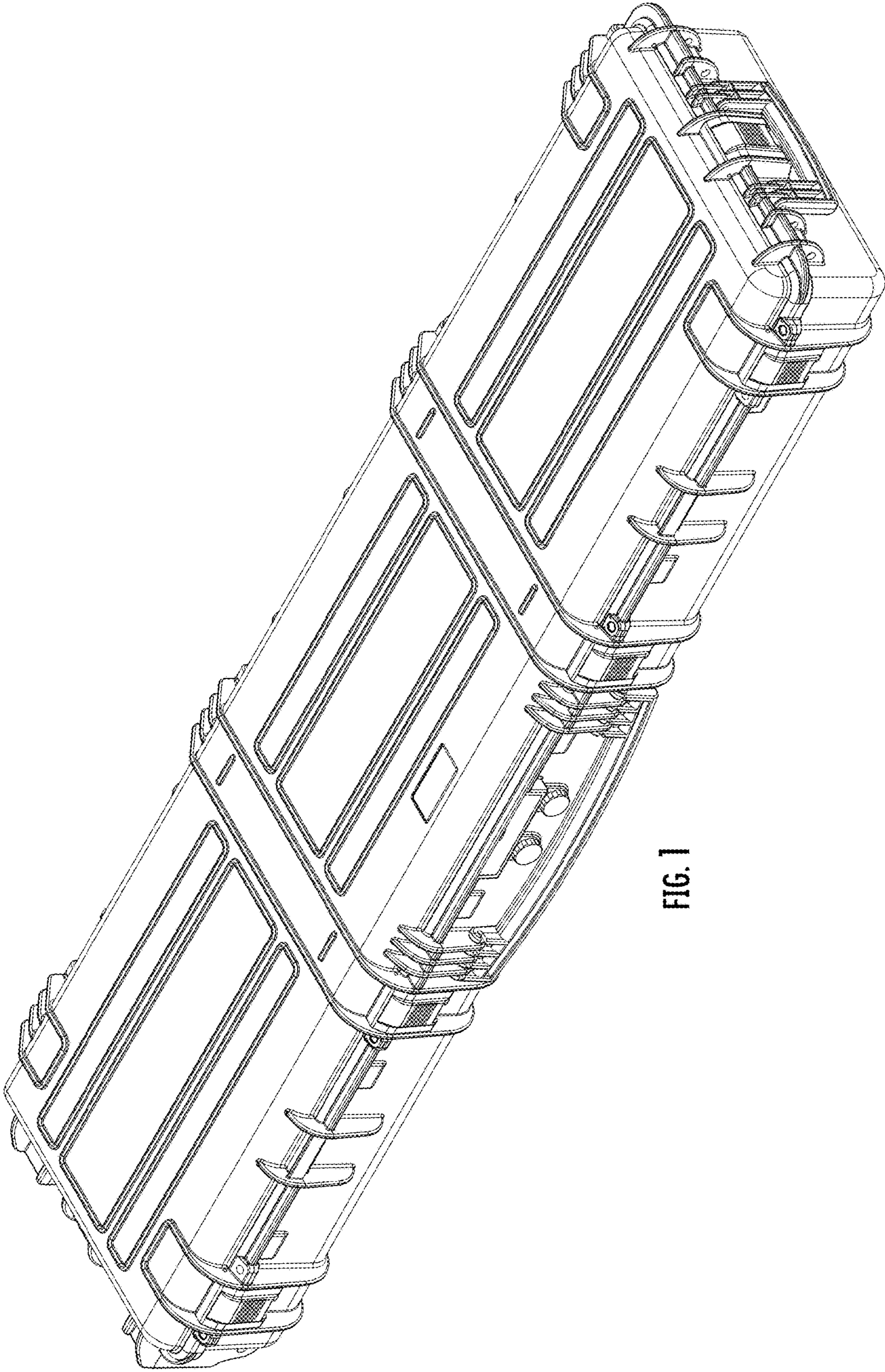


FIG. 1

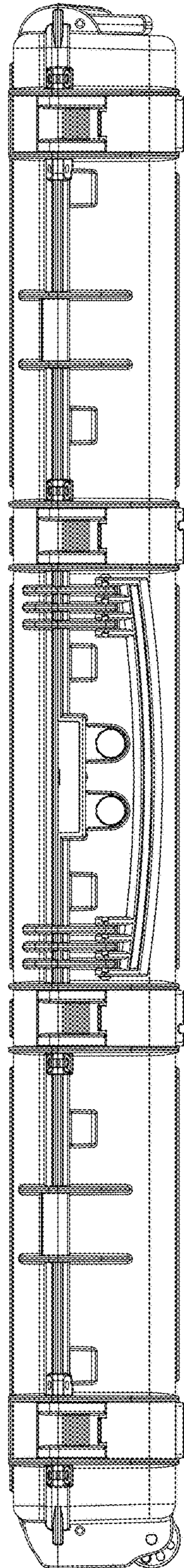


FIG. 2

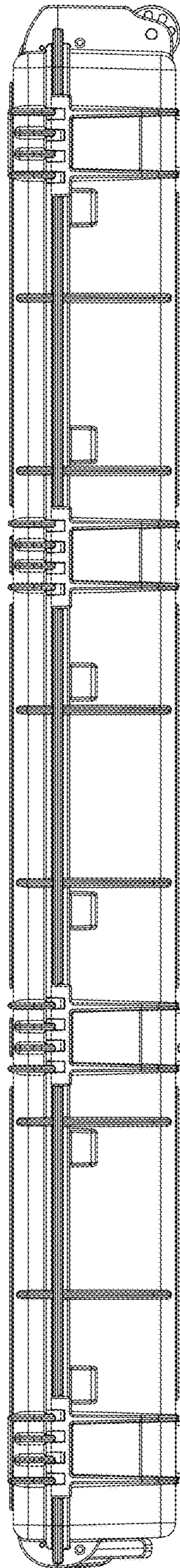


FIG. 3

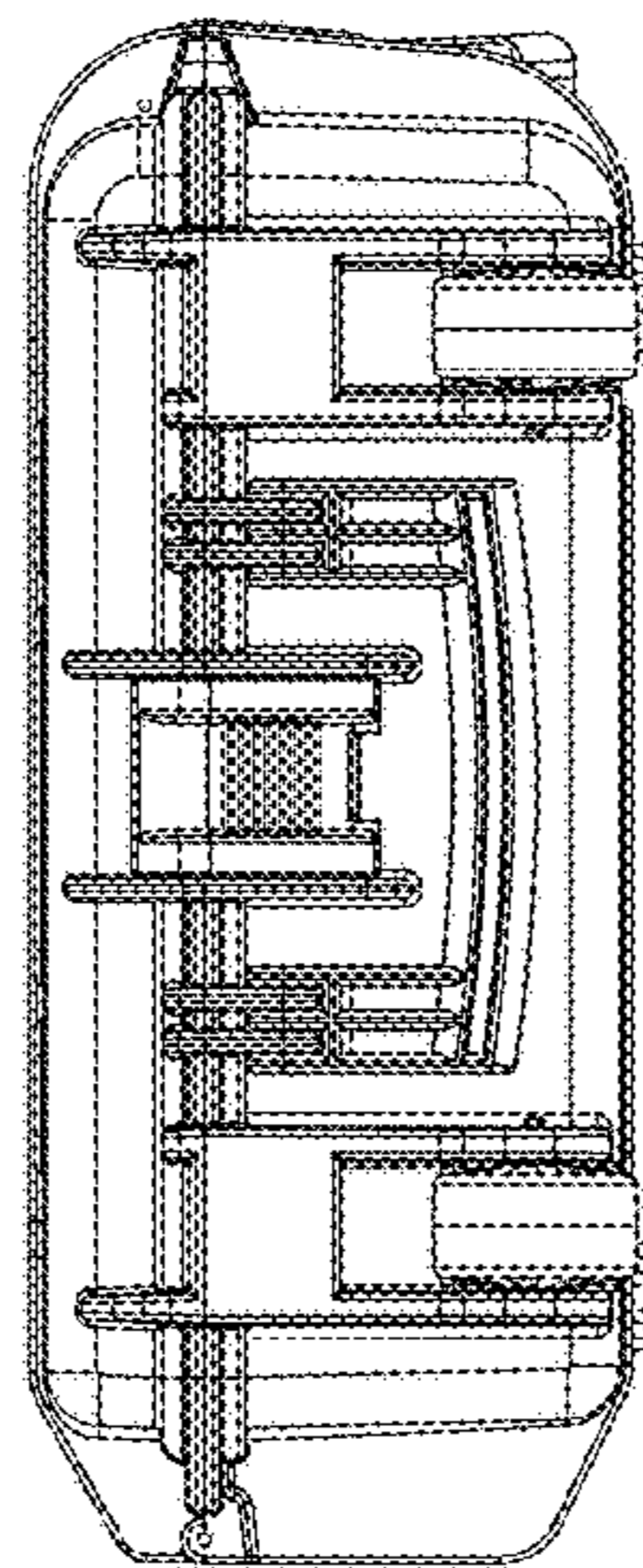


FIG. 4

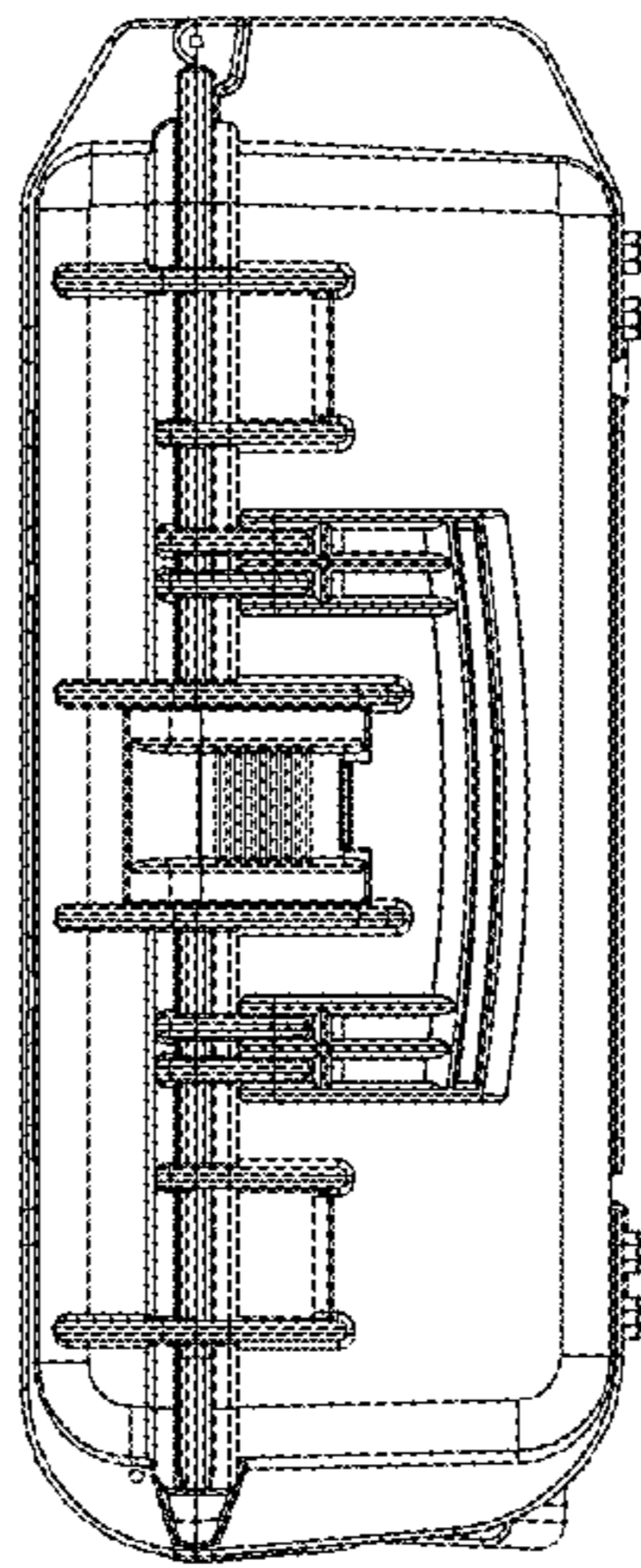


FIG. 5

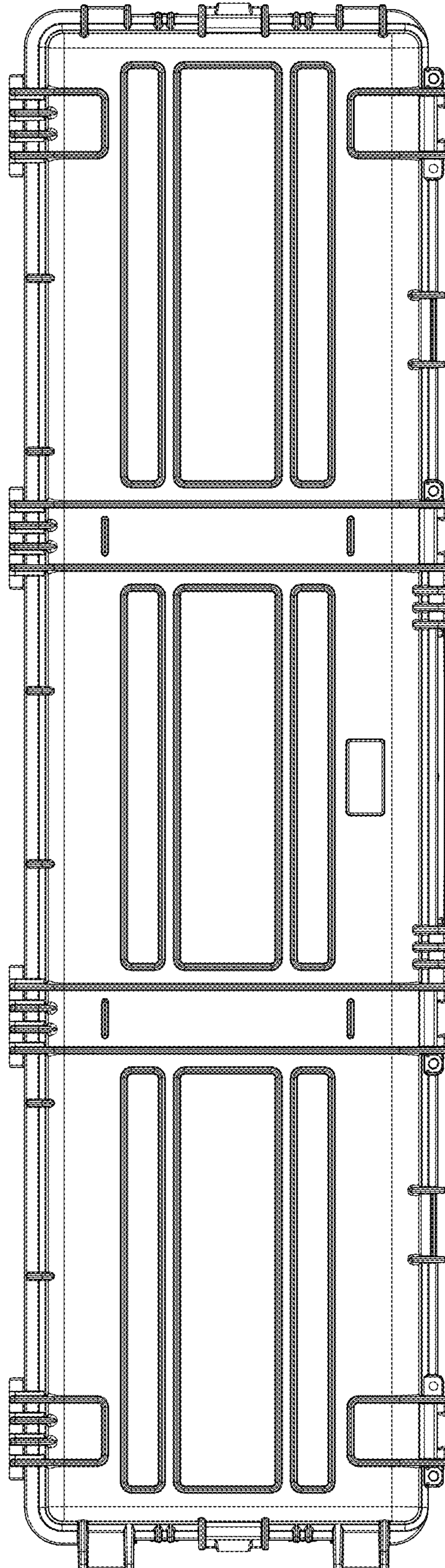


FIG. 6

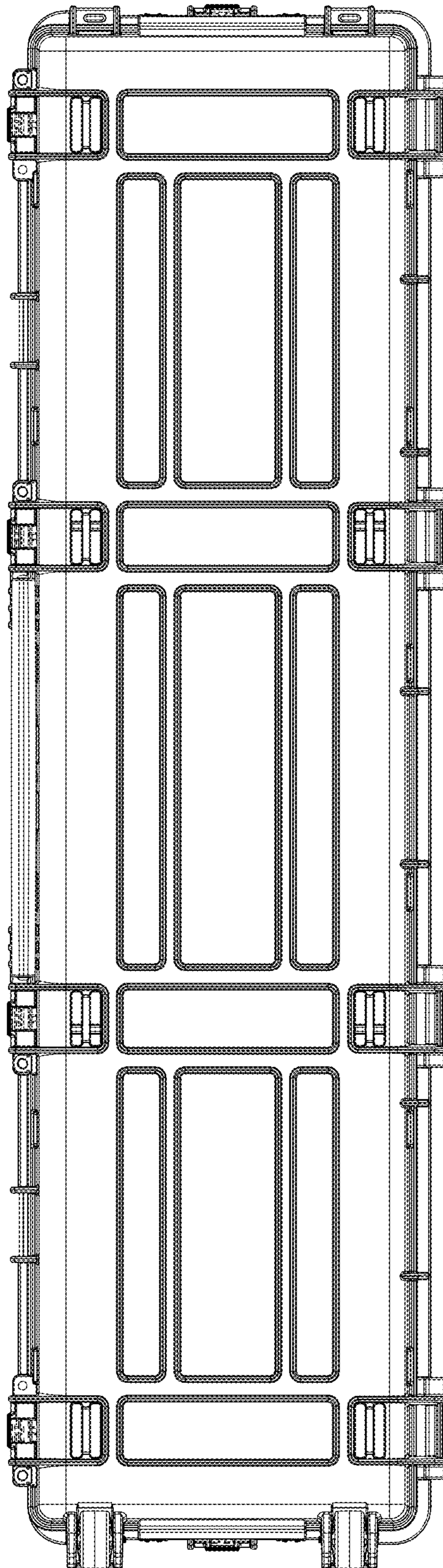


FIG. 7

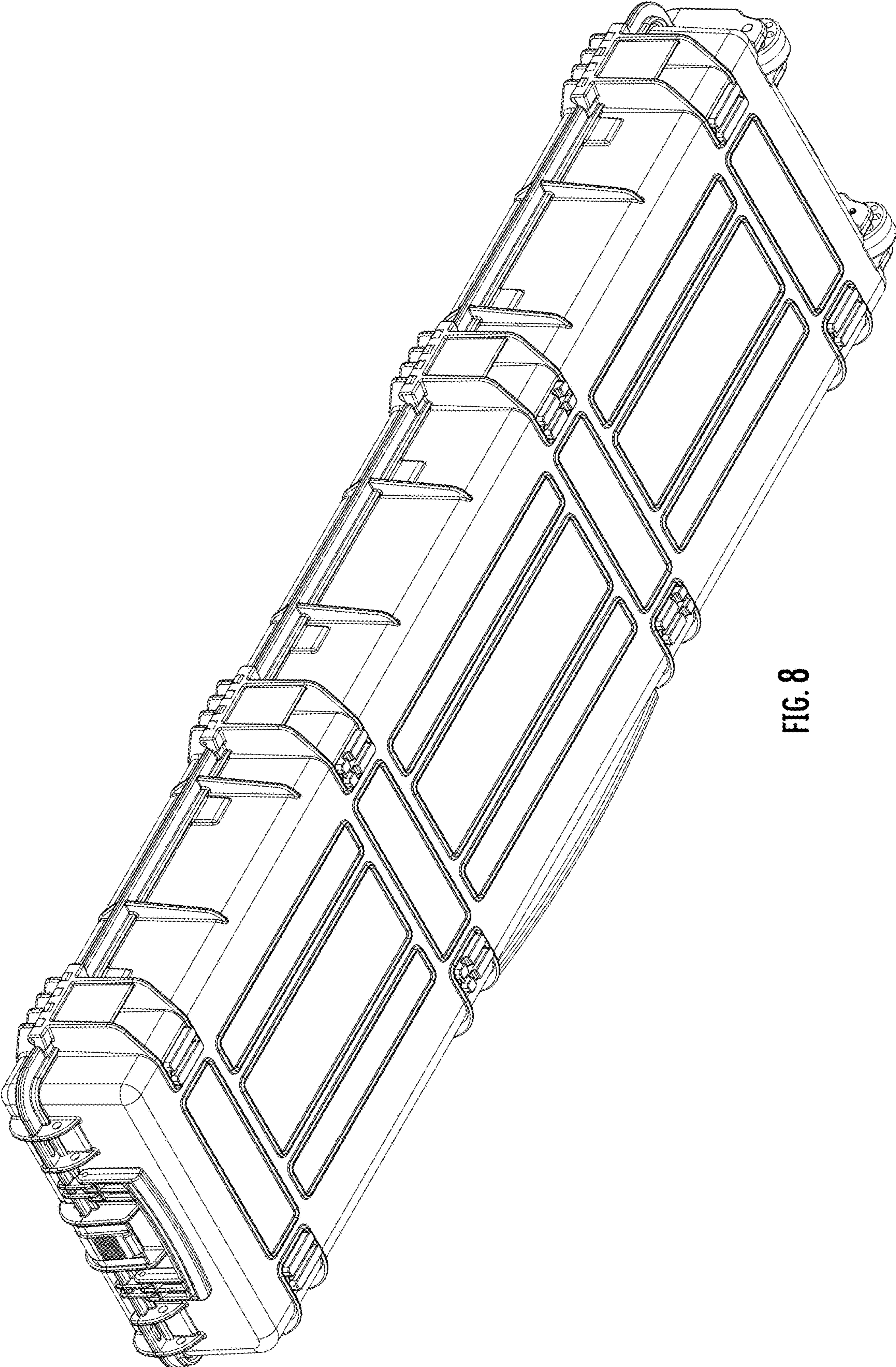


FIG. 8

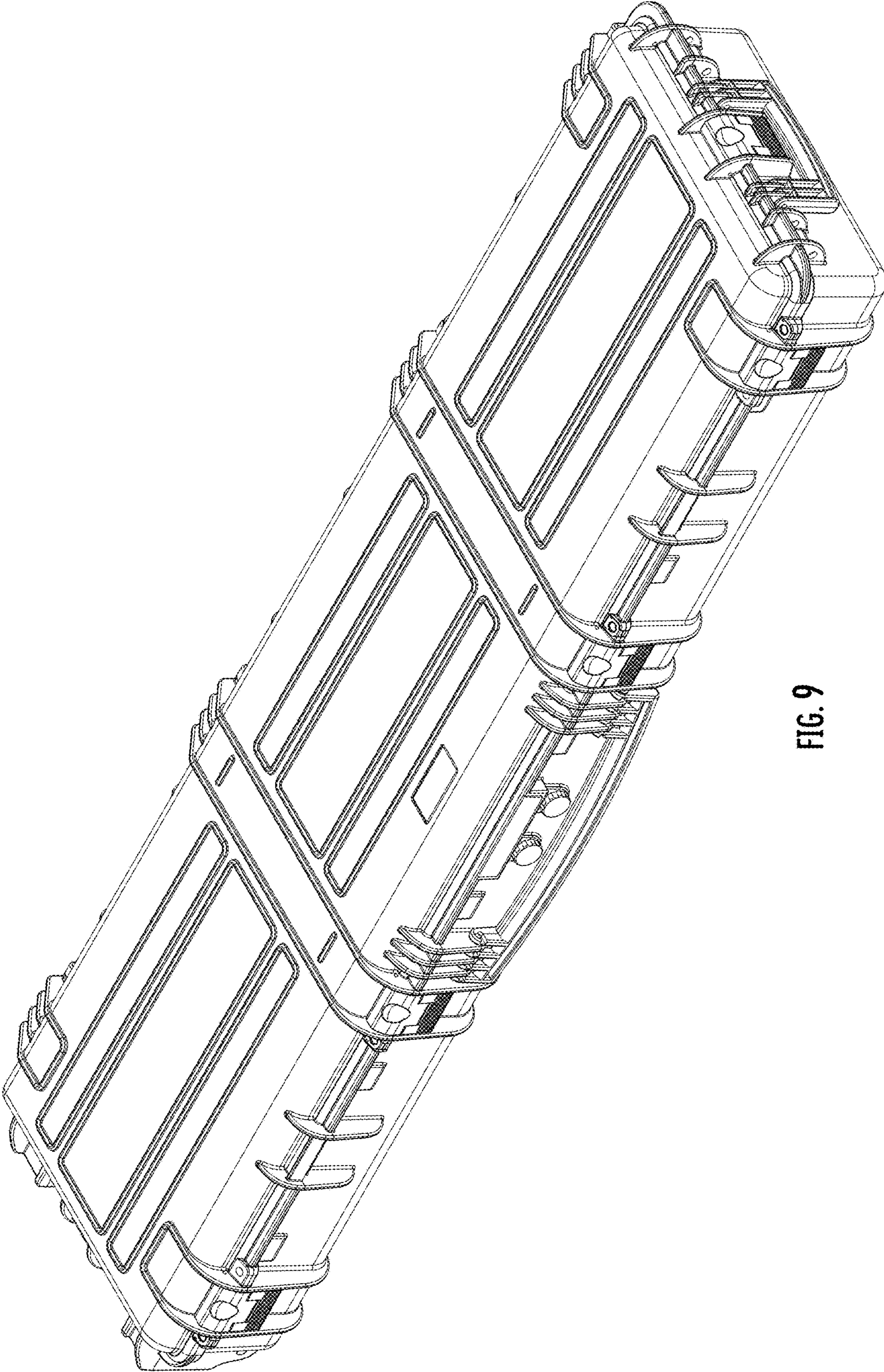


FIG. 9

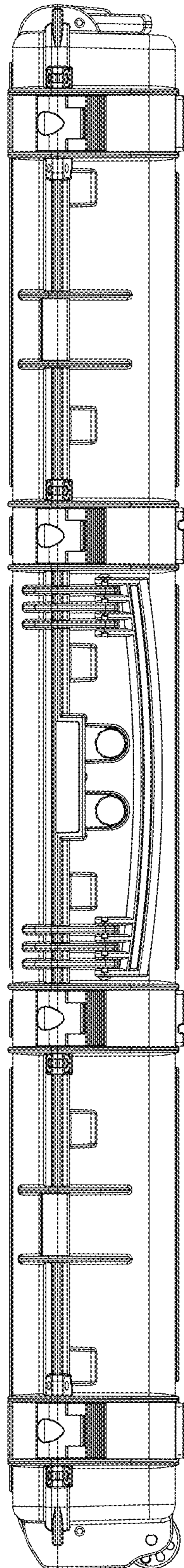


FIG. 10

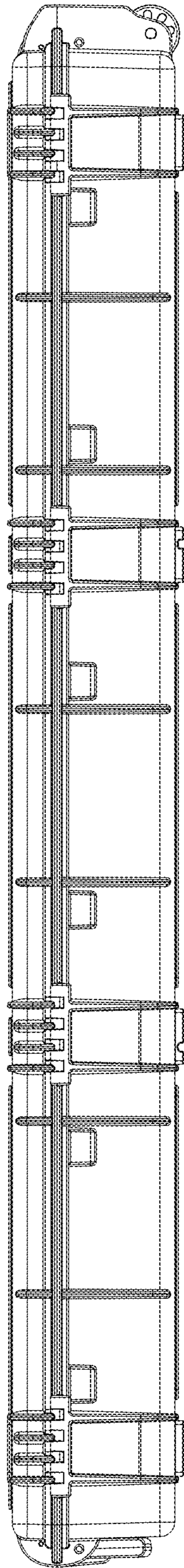


FIG. 11

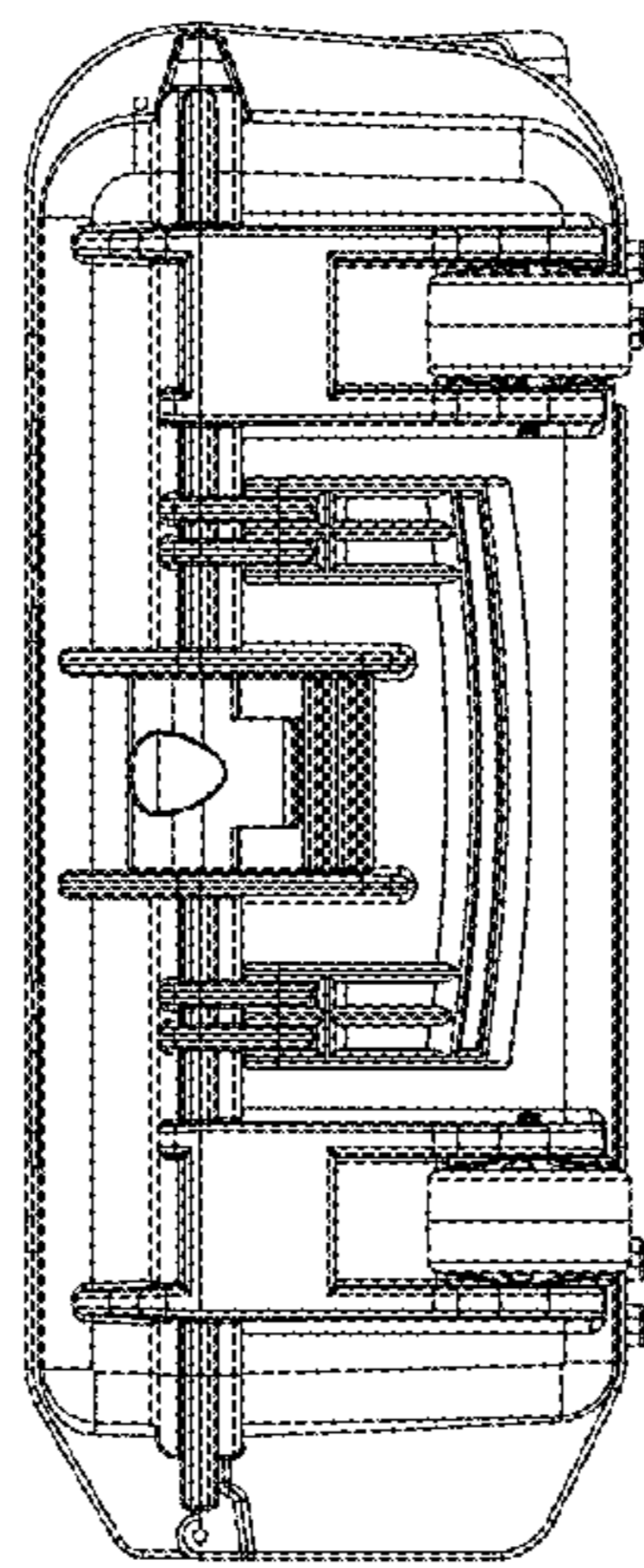


FIG. 12

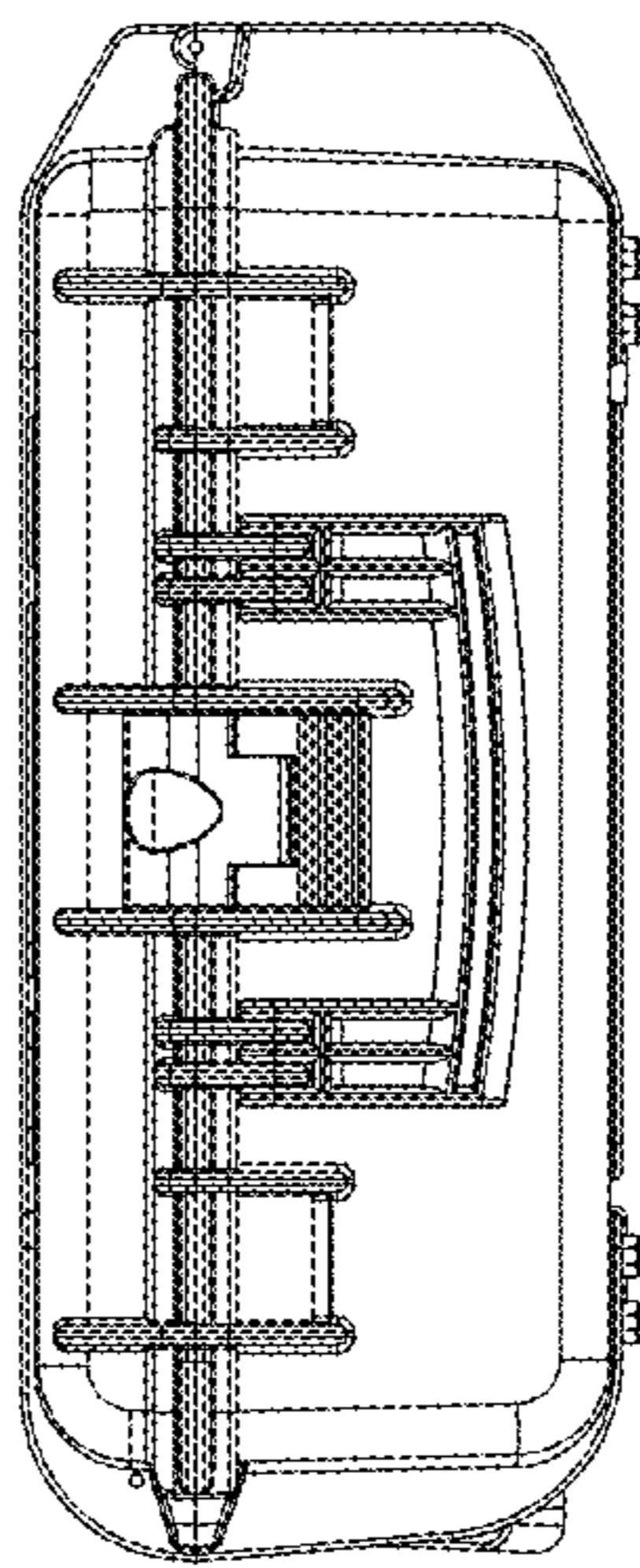


FIG. 13

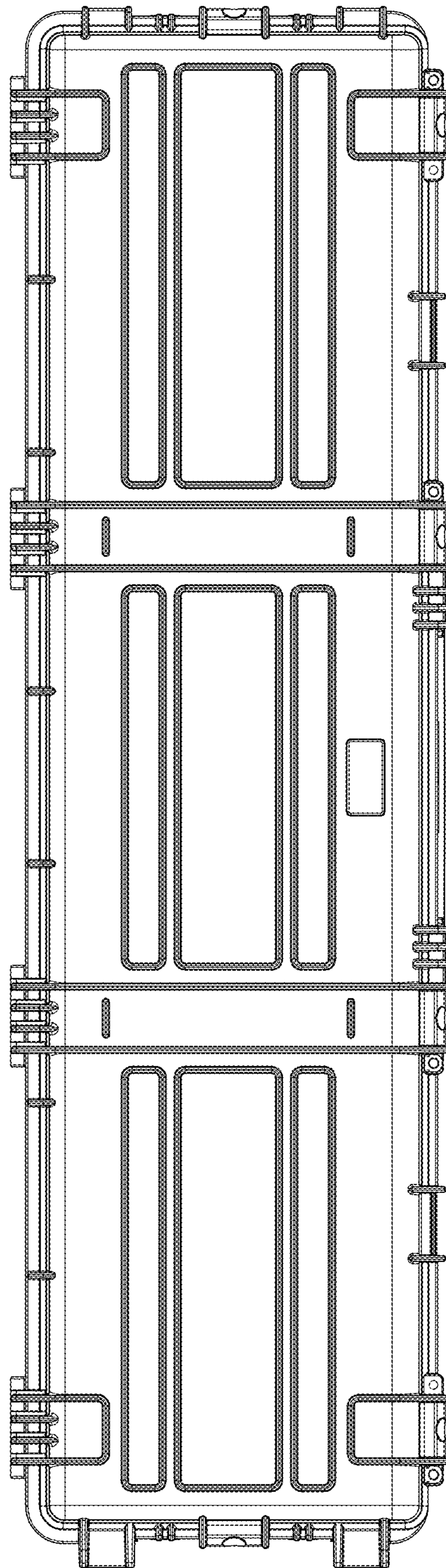


FIG. 14

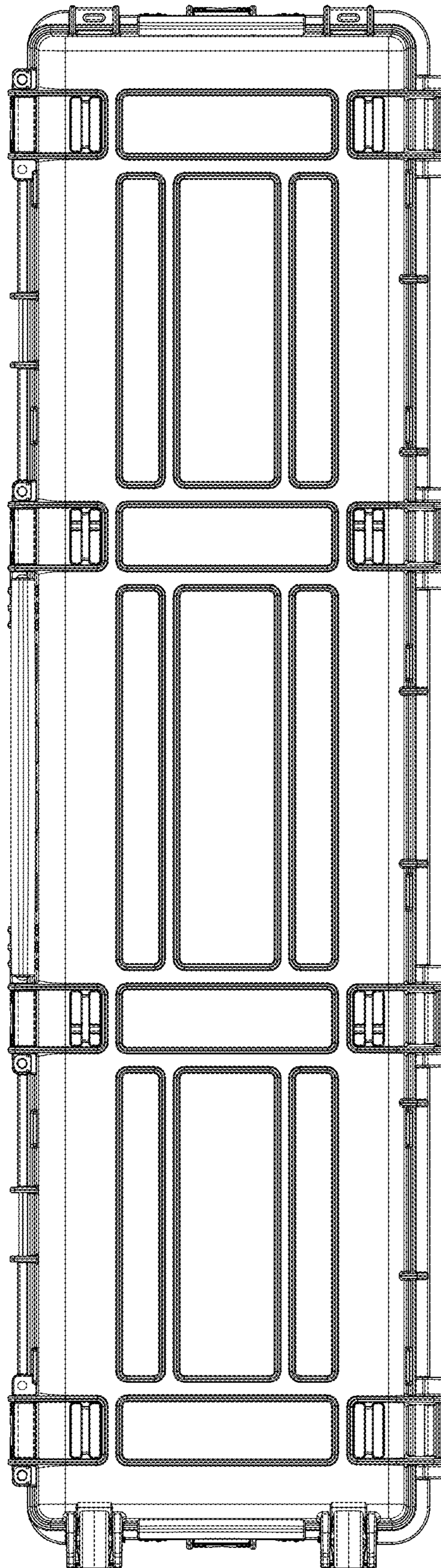


FIG. 15

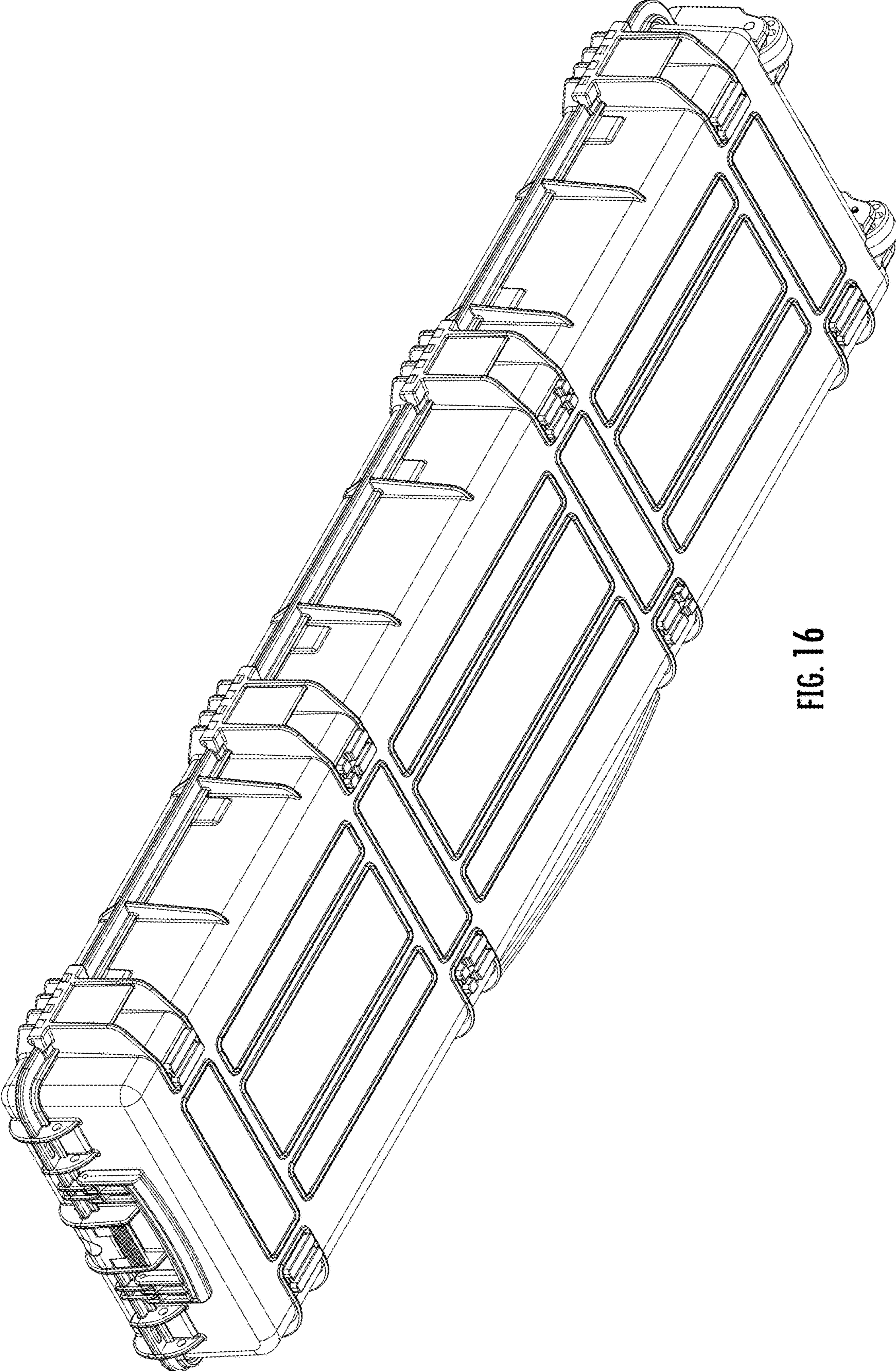


FIG. 16