

US00D847504S

(12) **United States Design Patent** (10) **Patent No.:** **US D847,504 S**
Bostick (45) **Date of Patent:** **** May 7, 2019**

(54) **BRIEFCASE**

D799,206 S * 10/2017 Smith D3/232
D811,745 S * 3/2018 Davi D3/294

(71) Applicant: **Blair Edwards Bostick**, Alexandria, VA
(US)

* cited by examiner

(72) Inventor: **Blair Edwards Bostick**, Alexandria, VA
(US)

Primary Examiner — Jennifer Rivard

Assistant Examiner — April Rivas

(74) *Attorney, Agent, or Firm* — Stanzione & Associates,
PLLC

(**) Term: **15 Years**

(57) **CLAIM**

(21) Appl. No.: **29/601,589**

The ornamental design for a briefcase, as shown and described.

(22) Filed: **Apr. 24, 2017**

DESCRIPTION

(51) **LOC (11) Cl.** **03-01**

(52) **U.S. Cl.**
USPC **D3/276; D3/900**

(58) **Field of Classification Search**
USPC D3/201, 203.6, 205, 203.1, 232, 259,
D3/260, 273, 272, 276, 279, 282, 284,
D3/302, 294, 900, 905, 904
CPC B25H 3/00; B25H 3/02; A45C 5/00; A45C
5/04; A45C 5/08; A45C 2011/007; A45C
11/00

See application file for complete search history.

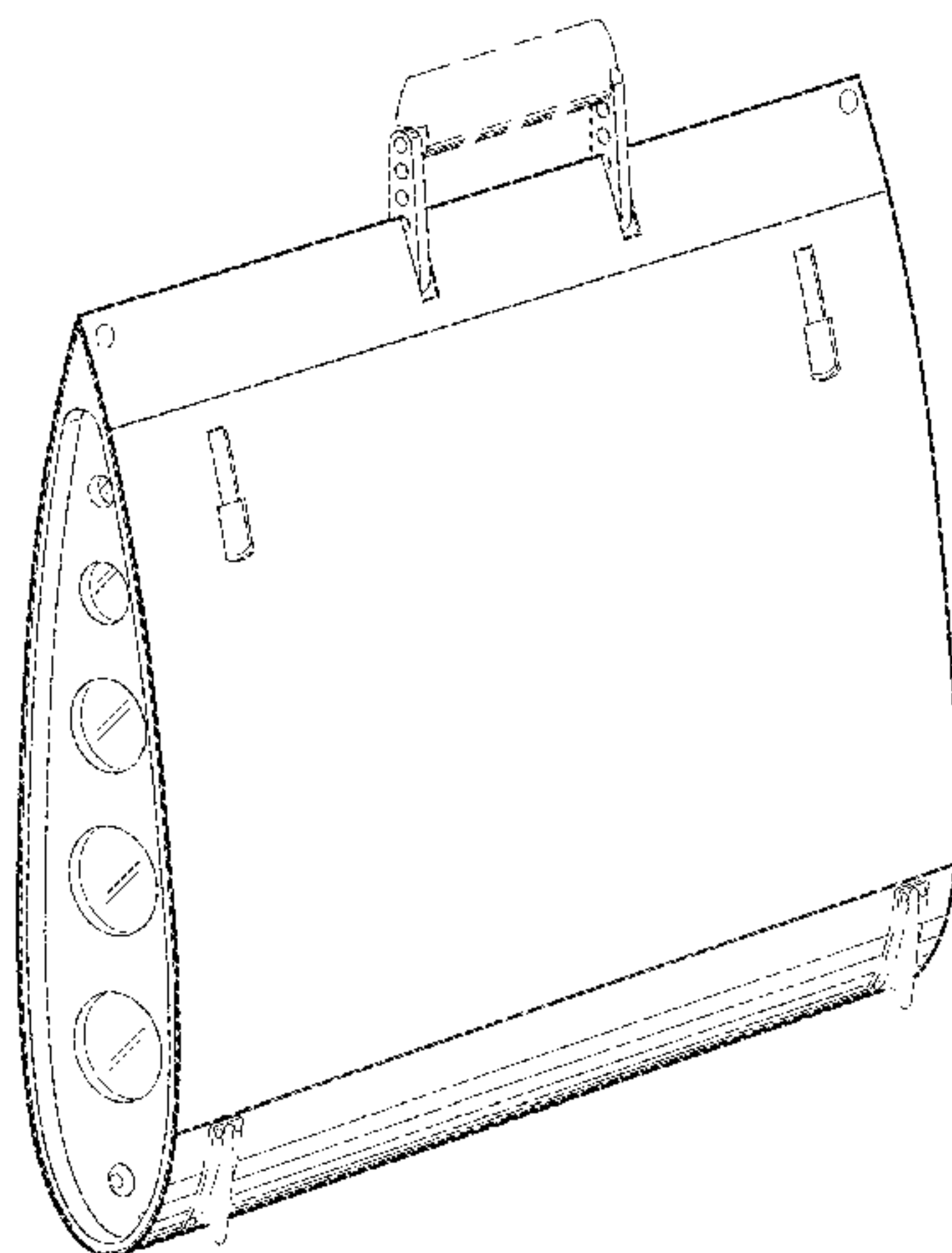
(56) **References Cited**

U.S. PATENT DOCUMENTS

D329,138 S *	9/1992	Hsieh	D3/283
D384,501 S *	10/1997	Rosen	D3/276
D426,704 S *	6/2000	King	D3/276
D453,267 S *	2/2002	Beedham	D3/276
D629,785 S *	12/2010	Yachida	D14/155
D639,286 S *	6/2011	Mohoney	D14/250
D643,214 S *	8/2011	Weedon	D3/276
D703,439 S *	4/2014	Fair	D3/289
D726,416 S *	4/2015	Gabrielyan	D3/282
D731,790 S *	6/2015	Yabe	D3/264
D749,845 S *	2/2016	Tonelli	D3/276
D763,569 S *	8/2016	Tal	D3/232

FIG. 1 is a perspective view of a briefcase showing my new design according to a first embodiment;
FIG. 2 is a perspective view of a briefcase showing my new design according to a second embodiment;
FIG. 3 is a front elevational view of the briefcase according to the embodiment of FIG. 1;
FIG. 4 is a front elevational view of the briefcase according to the embodiment of FIG. 2;
FIG. 5 is a rear elevational view of the briefcase according to the embodiment of FIG. 1;
FIG. 6 is a rear elevational view of the briefcase according to the embodiment of FIG. 2;
FIG. 7 is a side elevational view of the briefcase according to the embodiment of FIG. 2, the opposite side being a mirror image thereof;
FIG. 8 is a top view of the briefcase according to the embodiment of FIG. 1;
FIG. 9 is a bottom view of the briefcase according to the embodiment of FIG. 1; and,
FIG. 10 is a view of the briefcase according to the embodiment of FIG. 1 in the opened position.
The broken lines illustrate portions of the briefcase, according to the first and second embodiments, which form no part of the claimed design.

1 Claim, 9 Drawing Sheets



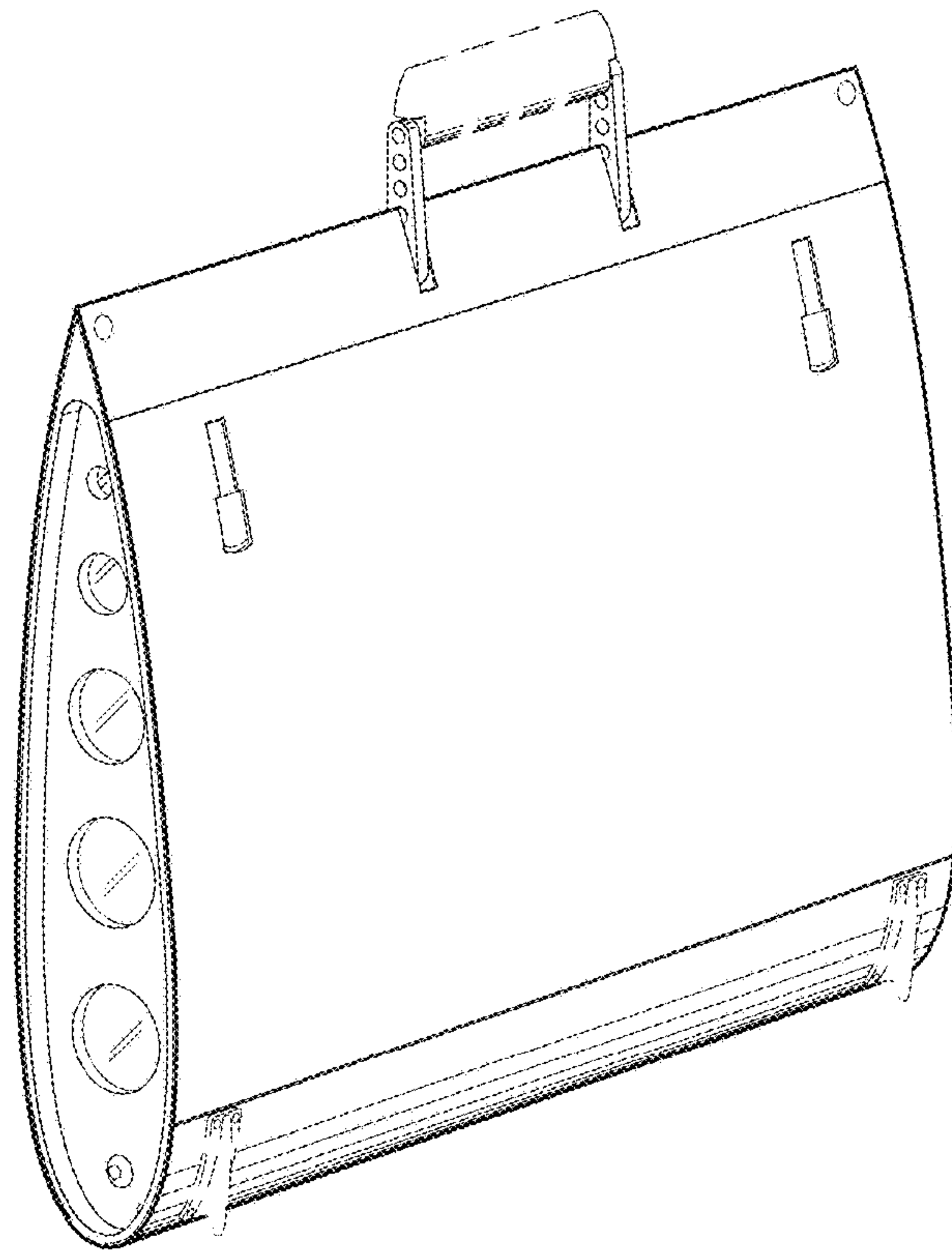


FIG. 1

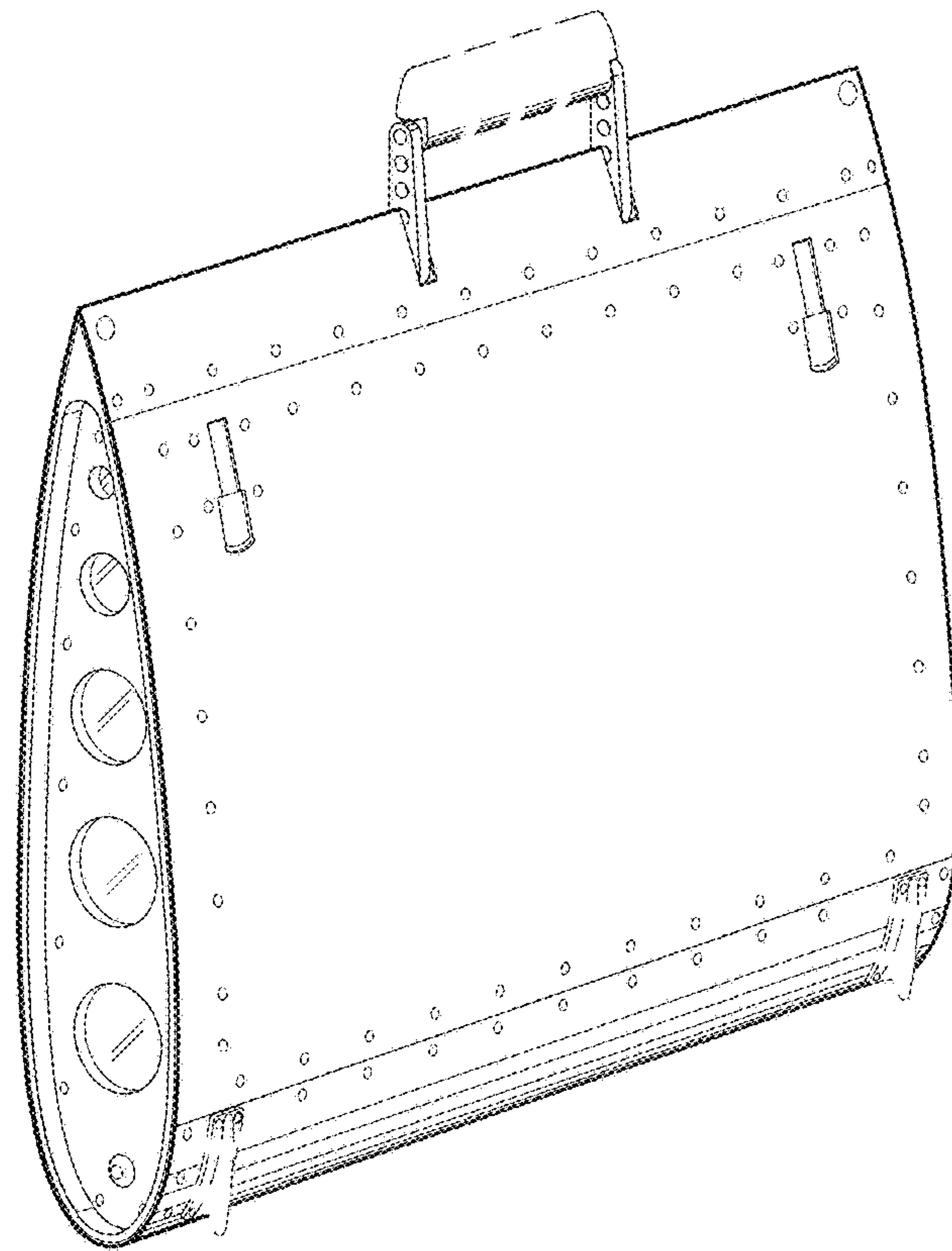


FIG. 2

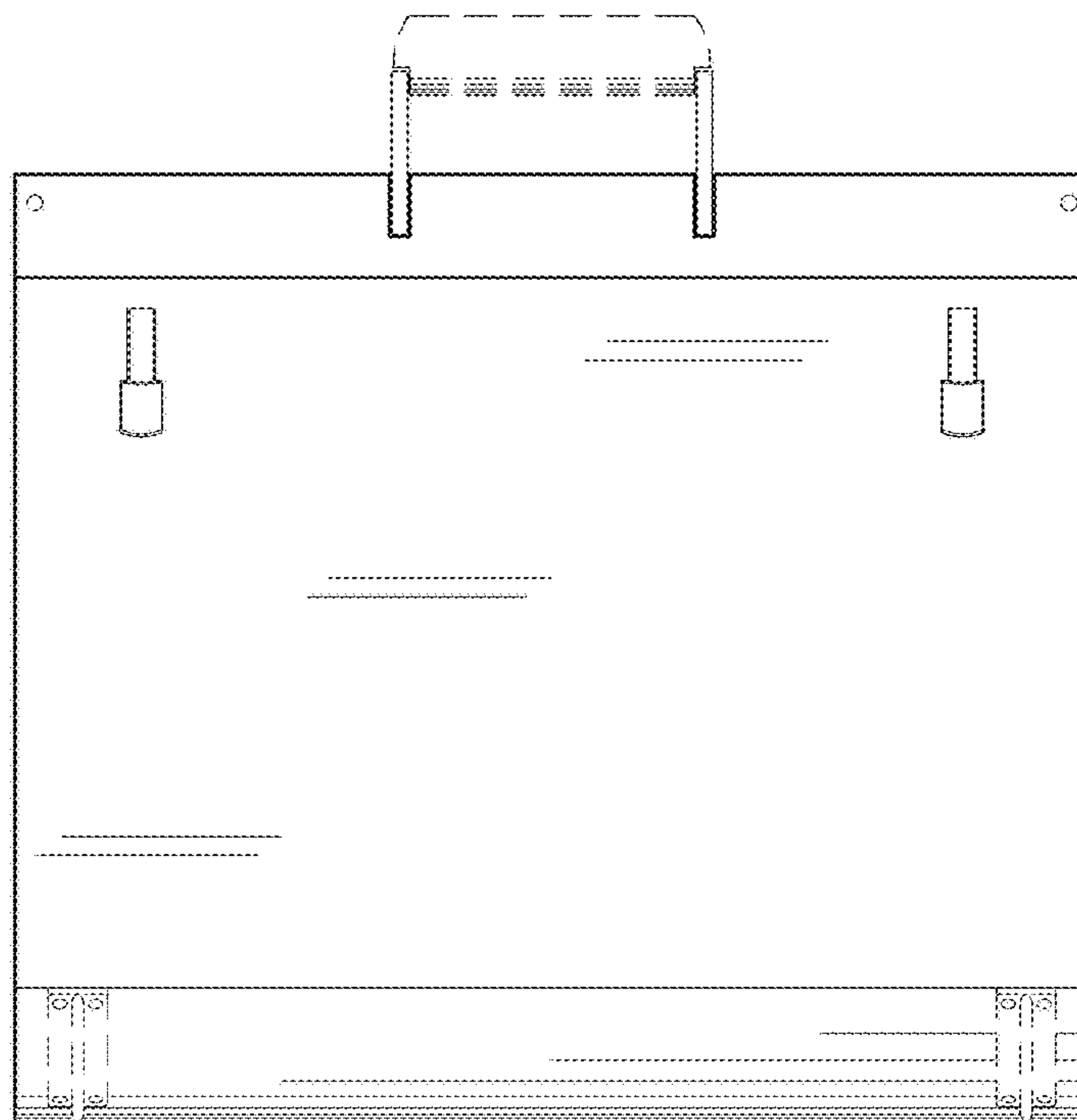


FIG. 3

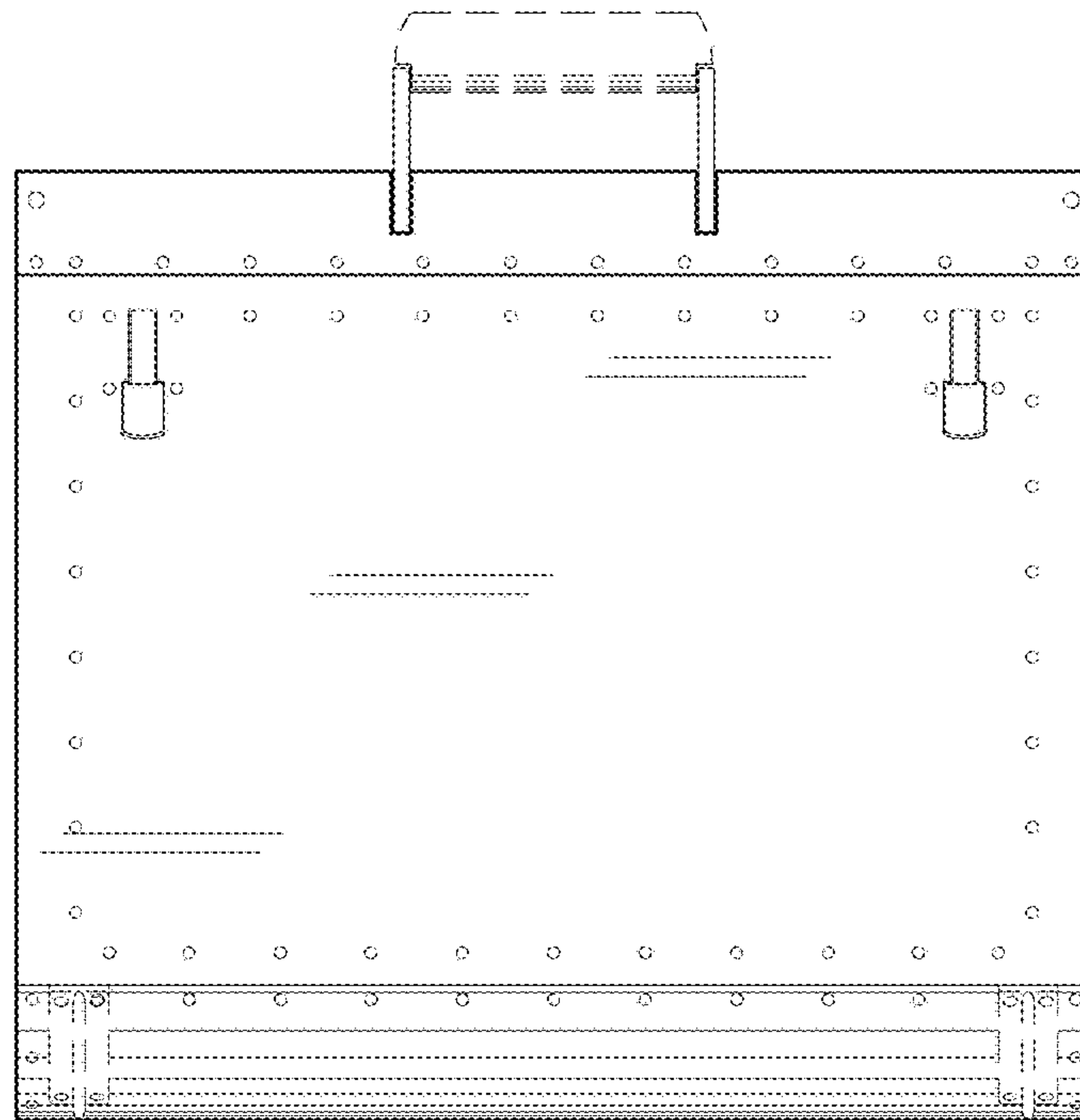


FIG. 4

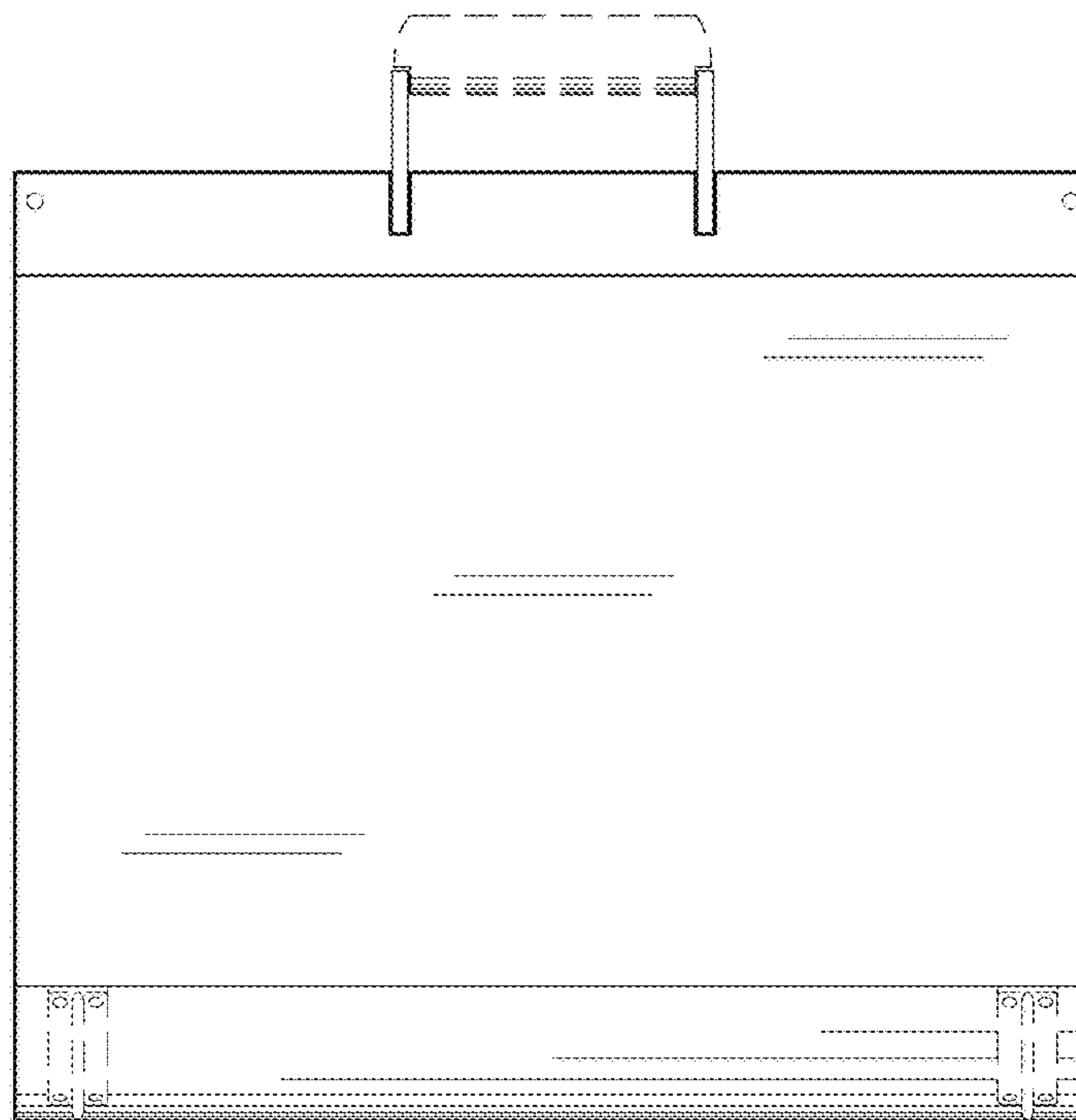


FIG. 5

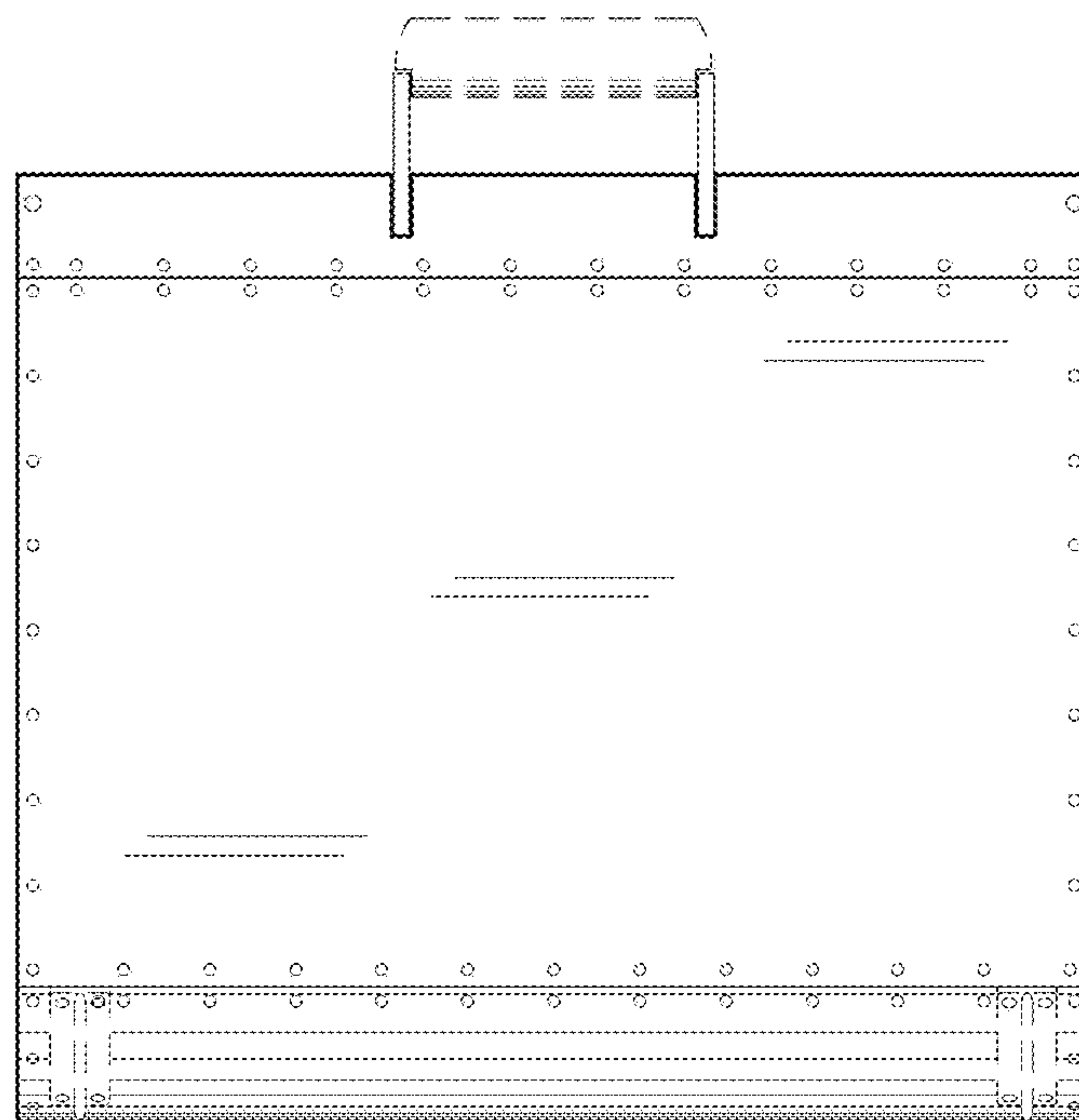
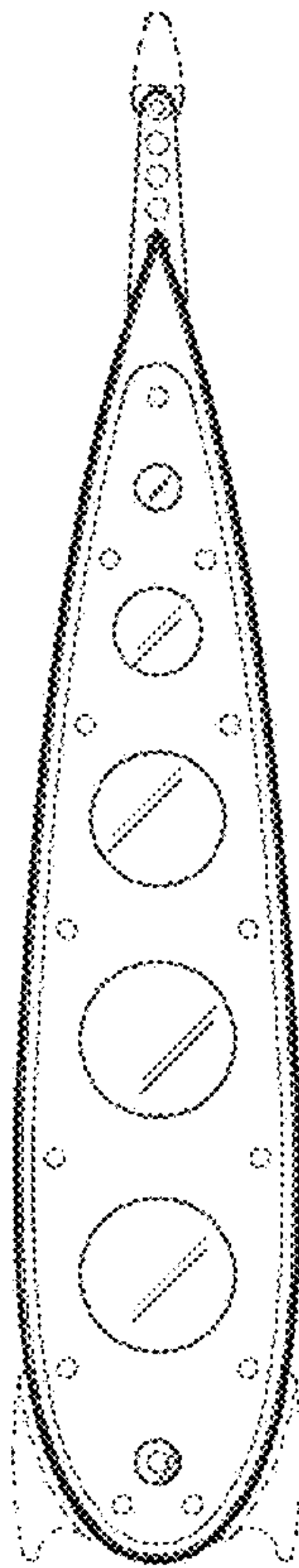


FIG. 6

FIG. 7



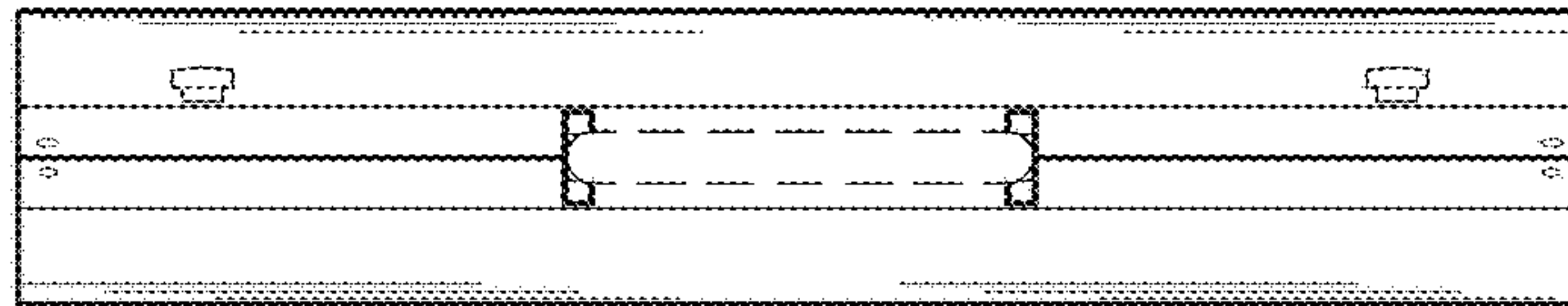


FIG. 8

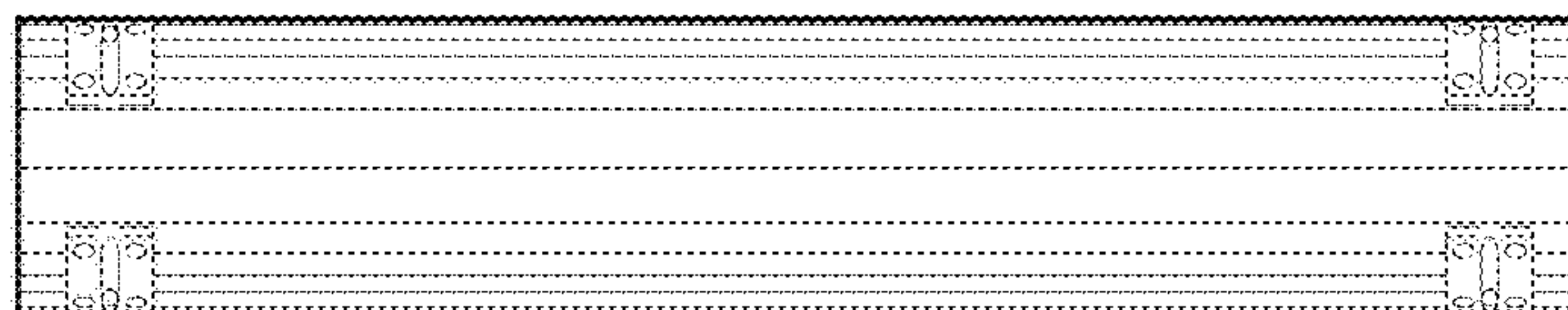


FIG. 9

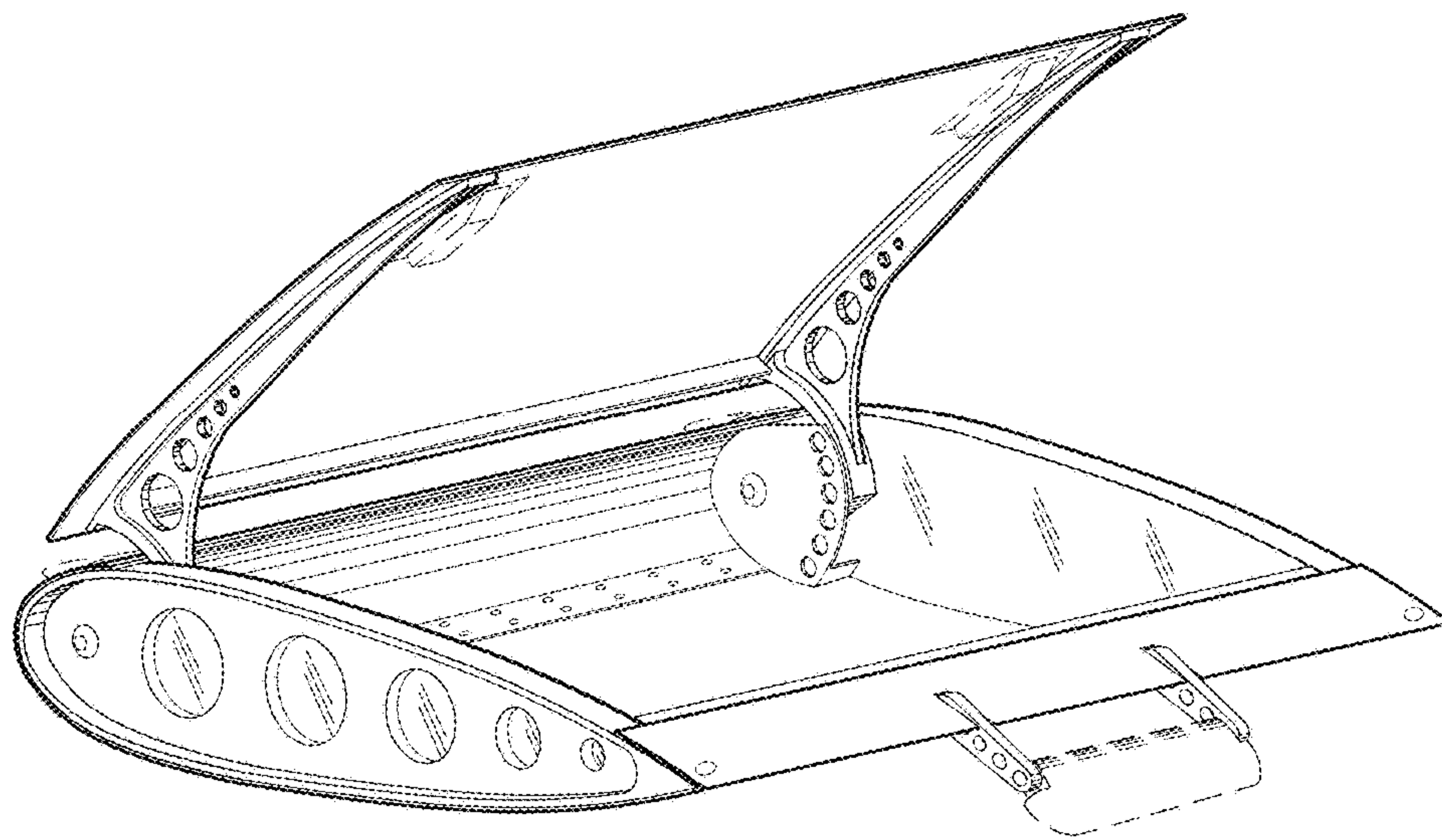


FIG. 10