



US00D847503S

(12) **United States Design Patent** (10) **Patent No.:** **US D847,503 S**  
**Dunleavy et al.** (45) **Date of Patent:** **\*\* \*May 7, 2019**

- (54) **REMOTE OPERATIONS CARRY CASE** 6,283,299 B1 \* 9/2001 Lee ..... G06F 1/1628  
206/320
- (71) Applicant: **Diginonymous LLC**, Largo, FL (US) 6,654,235 B2 \* 11/2003 Imsand ..... G06F 1/16  
150/165
- (72) Inventors: **Richard M. Dunleavy**, Largo, FL (US);  
**Austin R. Anderson**, Largo, FL (US);  
**Lisa Beck**, Largo, FL (US); **Michael**  
**Kraynick**, Largo, FL (US) D482,868 S \* 12/2003 Tagliati ..... D3/277  
D526,122 S \* 8/2006 Dodds ..... D3/277  
D627,166 S \* 11/2010 Fahim ..... D3/287

**OTHER PUBLICATIONS**

- (73) Assignee: **Diginonymous LLC**, Largo, FL (US)
- (\*) Notice: This patent is subject to a terminal disclaimer.
- (\*\*) Term: **15 Years**
- (21) Appl. No.: **29/614,813**
- (22) Filed: **Aug. 23, 2017**
- (51) **LOC (11) Cl.** ..... **03-01**
- (52) **U.S. Cl.**  
USPC ..... **D3/274; D3/289**
- (58) **Field of Classification Search**  
USPC ..... D3/269, 272, 273, 274, 276, 277, 279,  
D3/280, 281, 283, 284, 285, 289, 302,  
D3/900, 902, 904  
CPC . B25H 3/00; B25H 3/02; B25H 3/003; B25H  
3/006; B25H 3/021; B25H 3/022; B25H  
3/025; A45C 5/00; A45C 5/005; A45C  
5/03; A45C 2005/037; A45C 5/08; A45C  
2005/10  
See application file for complete search history.

Satnews Daily, "DigiGone's Telemedicine Videoconferencing Kits . . . Patient on Ship Says "ahhh" While Doctor on Land Diagnosis", Posted Oct. 29, 2014. (<http://www.satnews.com/story.php?number=1056993066&menu=1>).\*  
DigiGone, "Five Instrument Plus Telemedicine Kit (Five Plus)", as cached by the wayback machine on Jan. 15, 2017. ([https://web.archive.org/web/20170115042102/http://www.digigone.com:80/digimed\\_plus.php](https://web.archive.org/web/20170115042102/http://www.digigone.com:80/digimed_plus.php)).\*

\* cited by examiner

*Primary Examiner* — Jennifer Rivard  
*Assistant Examiner* — April Rivas  
(74) *Attorney, Agent, or Firm* — PatentFile, LLC; Bradley C. Fach

(57) **CLAIM**

The ornamental design for a remote operations carry case, as shown and described.

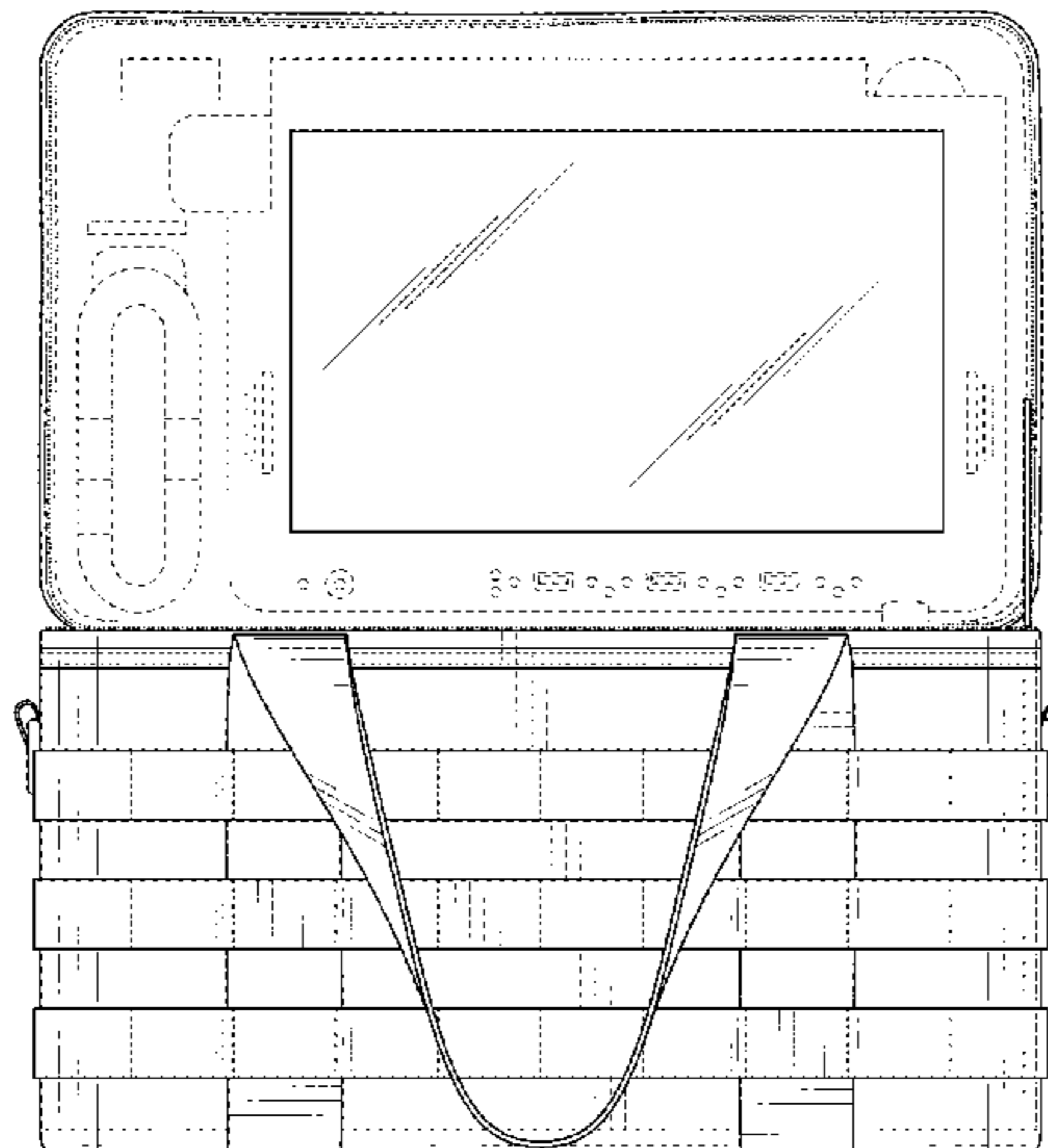
**DESCRIPTION**

FIG. 1 is a front elevation view showing the new, original, and ornamental design of a remote operations carry case; FIG. 2 is a rear elevation view thereof; FIG. 3 is a left side elevation view thereof; FIG. 4 is a right side elevation view thereof; FIG. 5 is a top plan view thereof; and, FIG. 6 is a bottom plan view thereof.  
The broken lines shown in the drawings represent environmental subject matter and form no part of the claimed design.

**1 Claim, 6 Drawing Sheets**

(56) **References Cited**  
**U.S. PATENT DOCUMENTS**

- 4,733,806 A \* 3/1988 Sloop ..... A45F 3/02  
206/316.2
- D396,748 S \* 8/1998 Dodds ..... D3/277
- 5,938,096 A \* 8/1999 Sauer ..... A47B 23/002  
190/109
- D414,751 S \* 10/1999 Yogalingam ..... D14/335
- D415,897 S \* 11/1999 Lacy ..... D3/277
- D428,255 S \* 7/2000 Kandalepas ..... D3/273



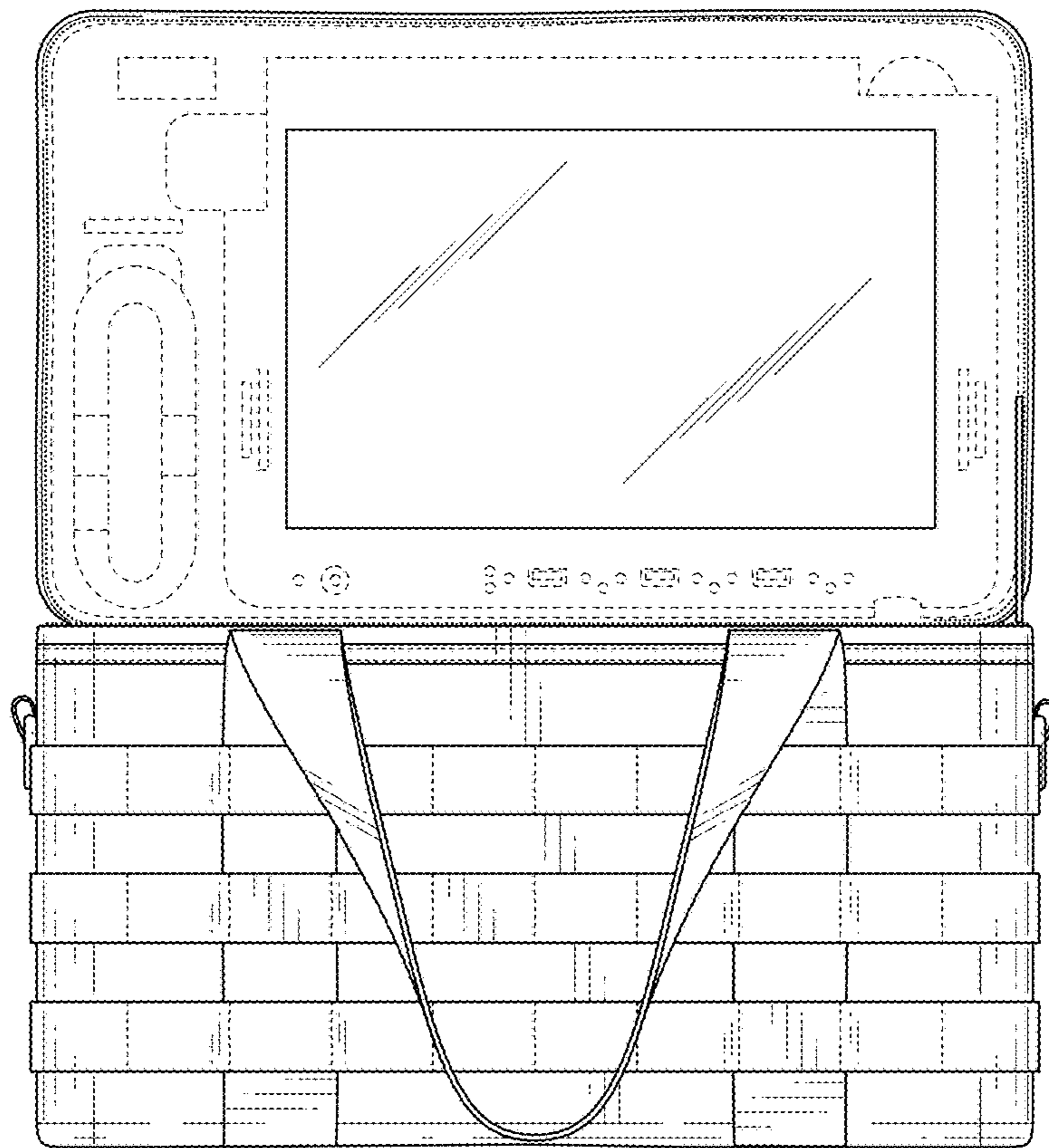


FIG. 1

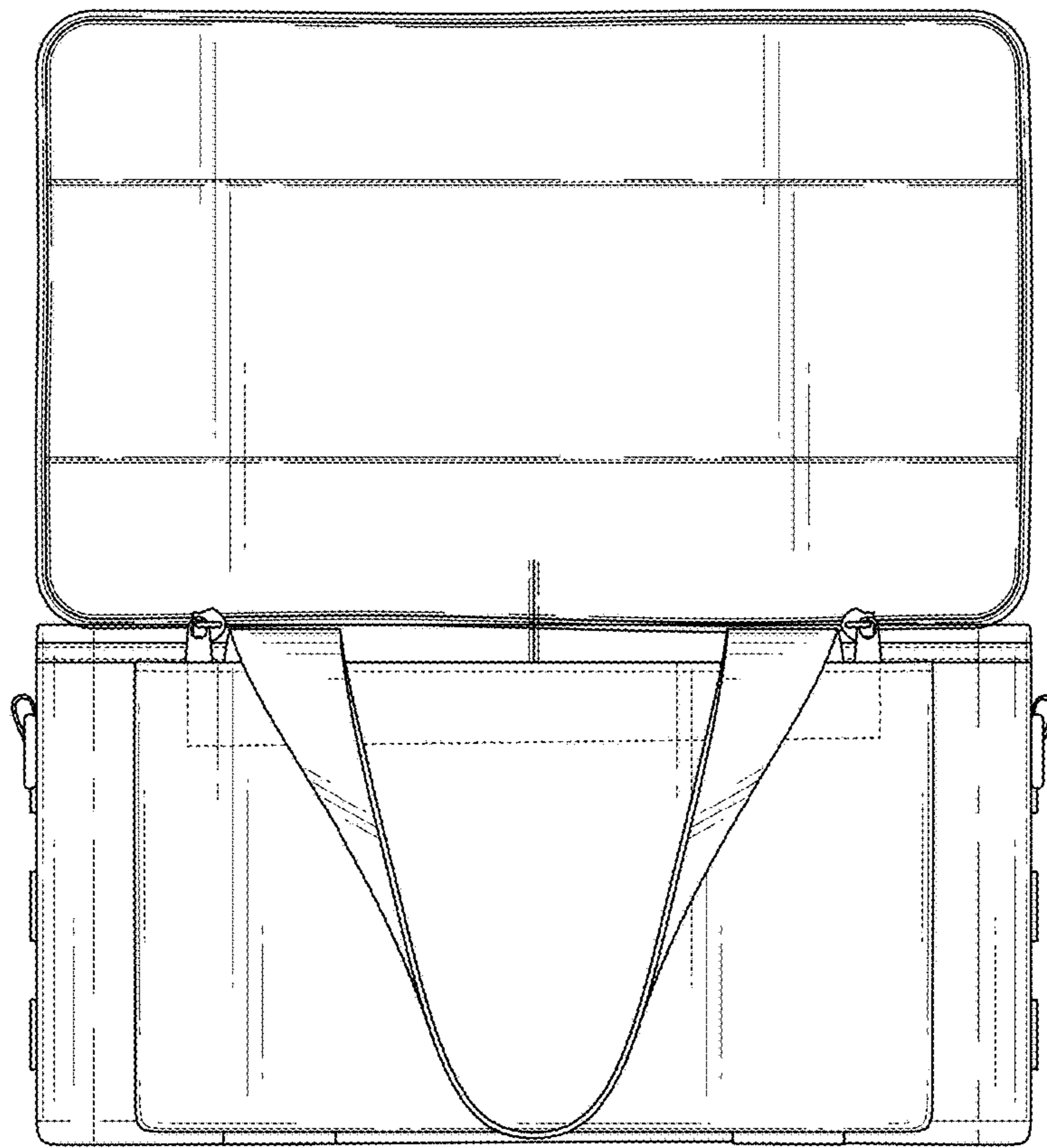


FIG. 2

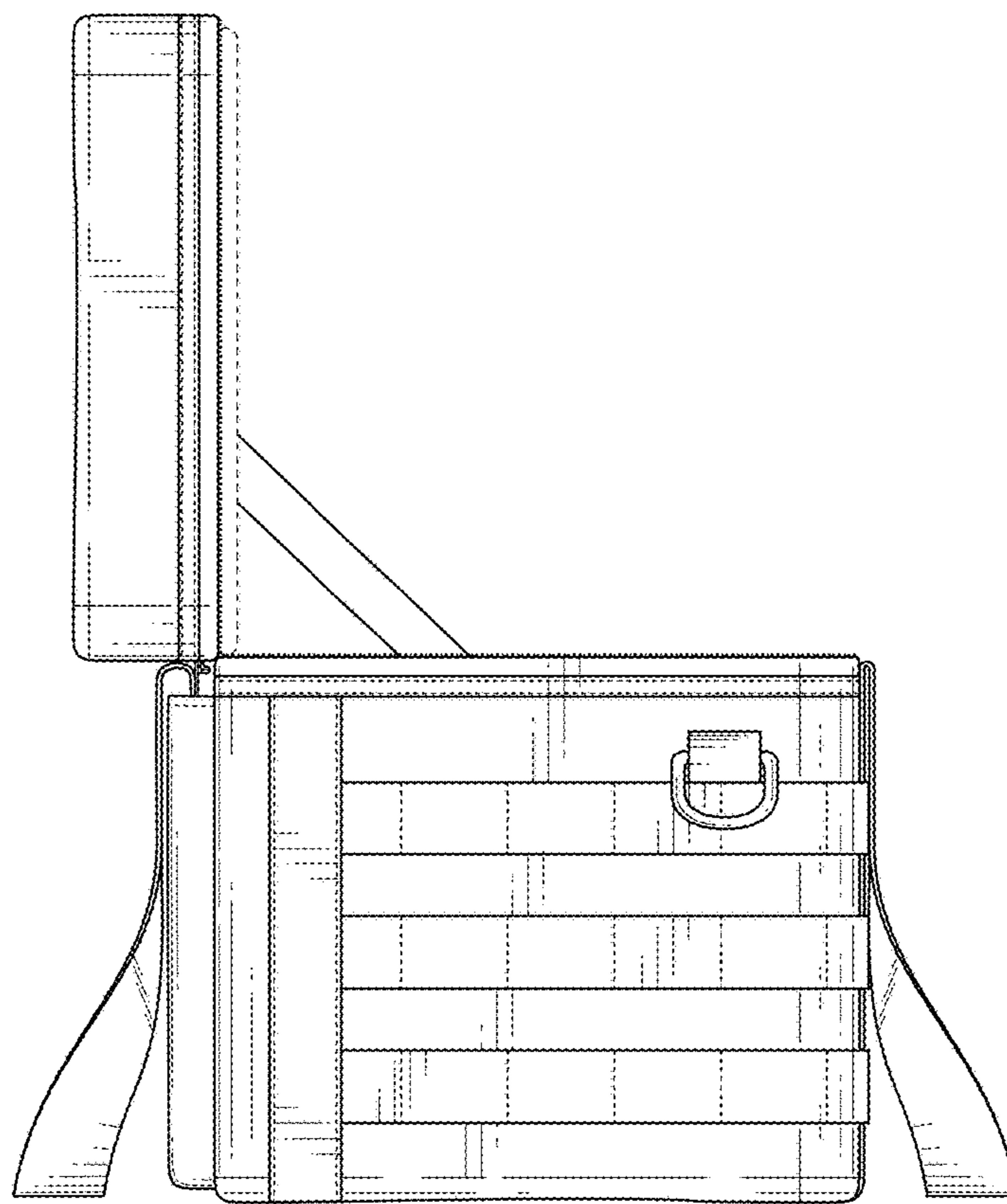


FIG. 3

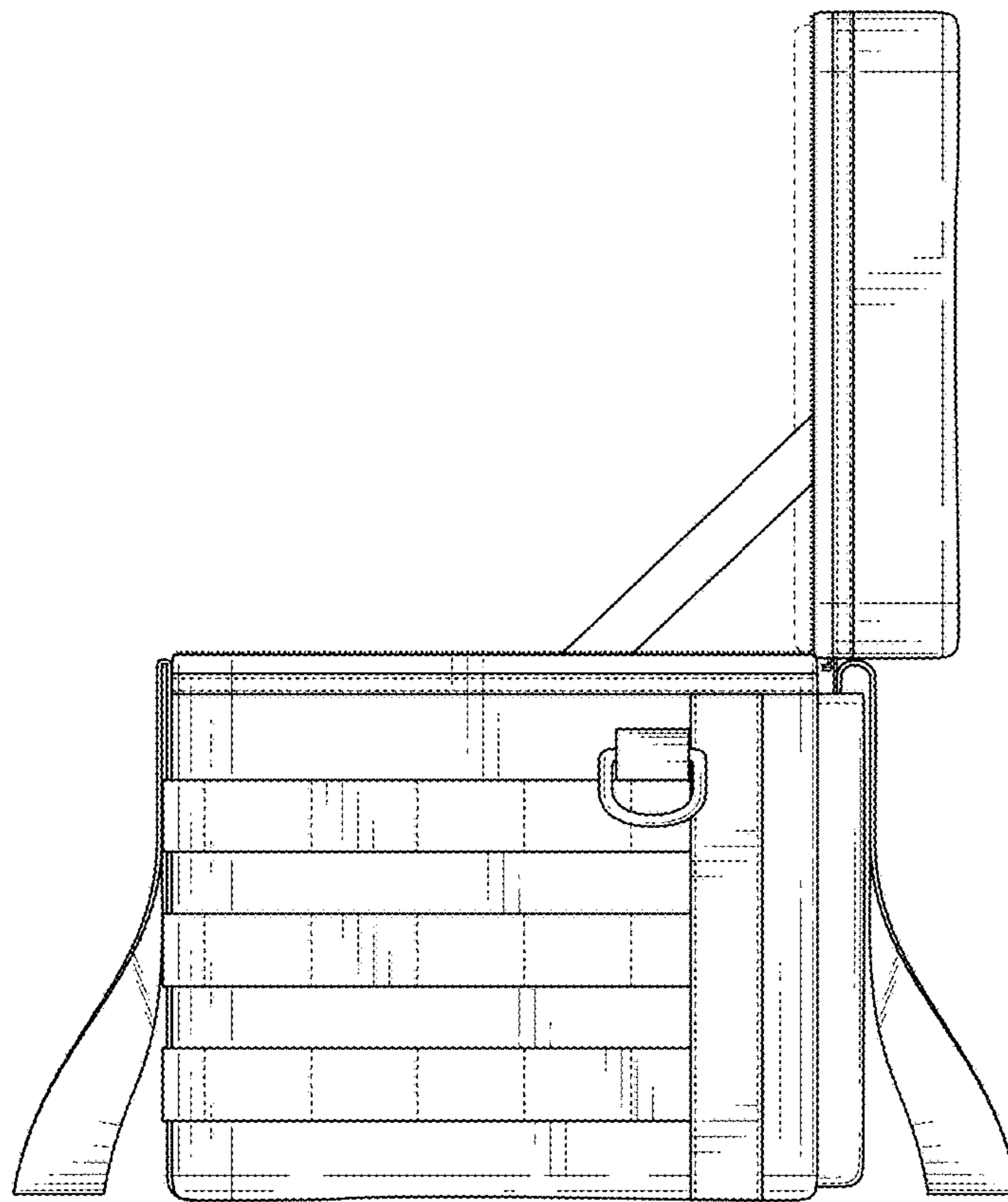


FIG. 4

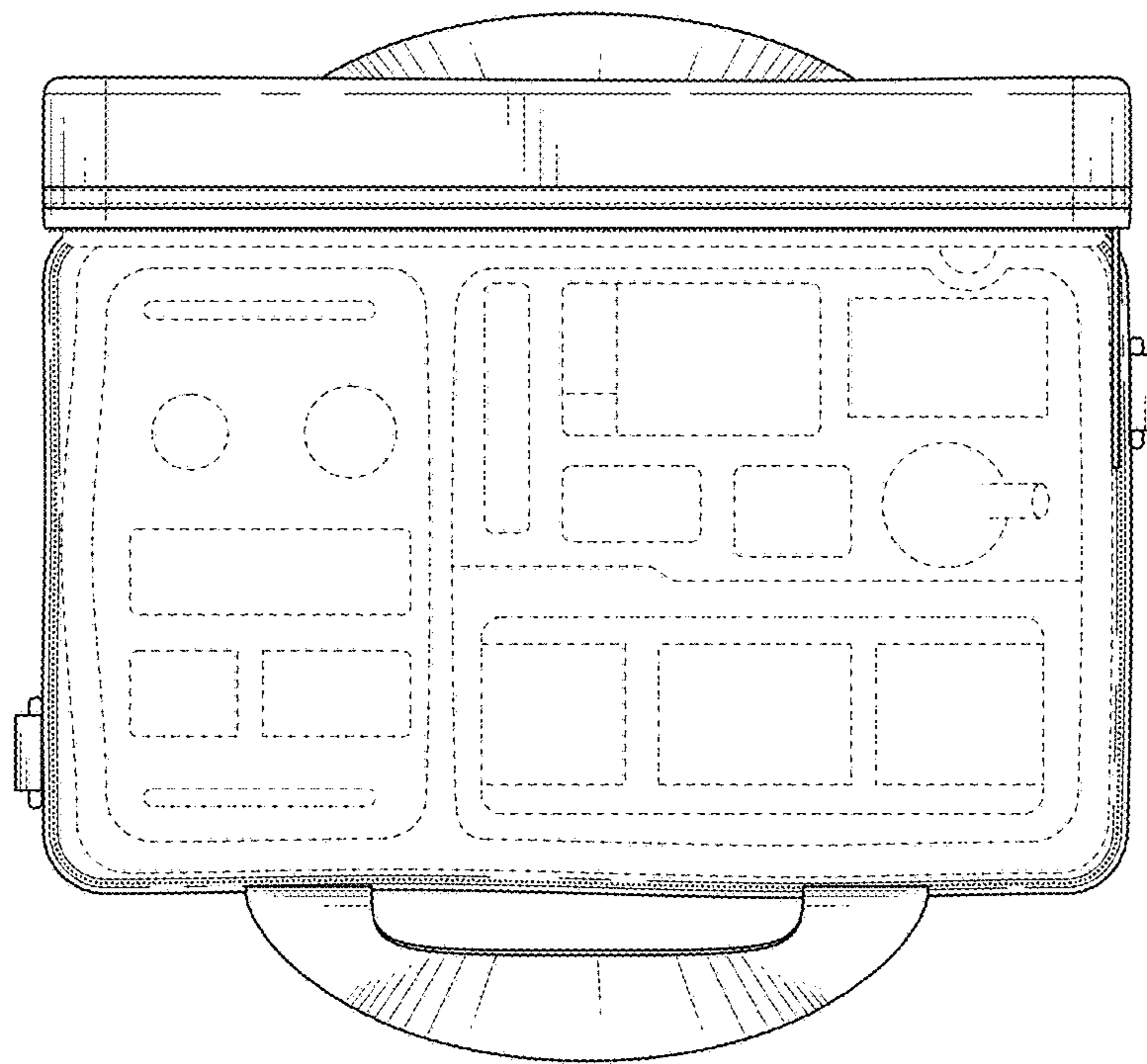


FIG. 5

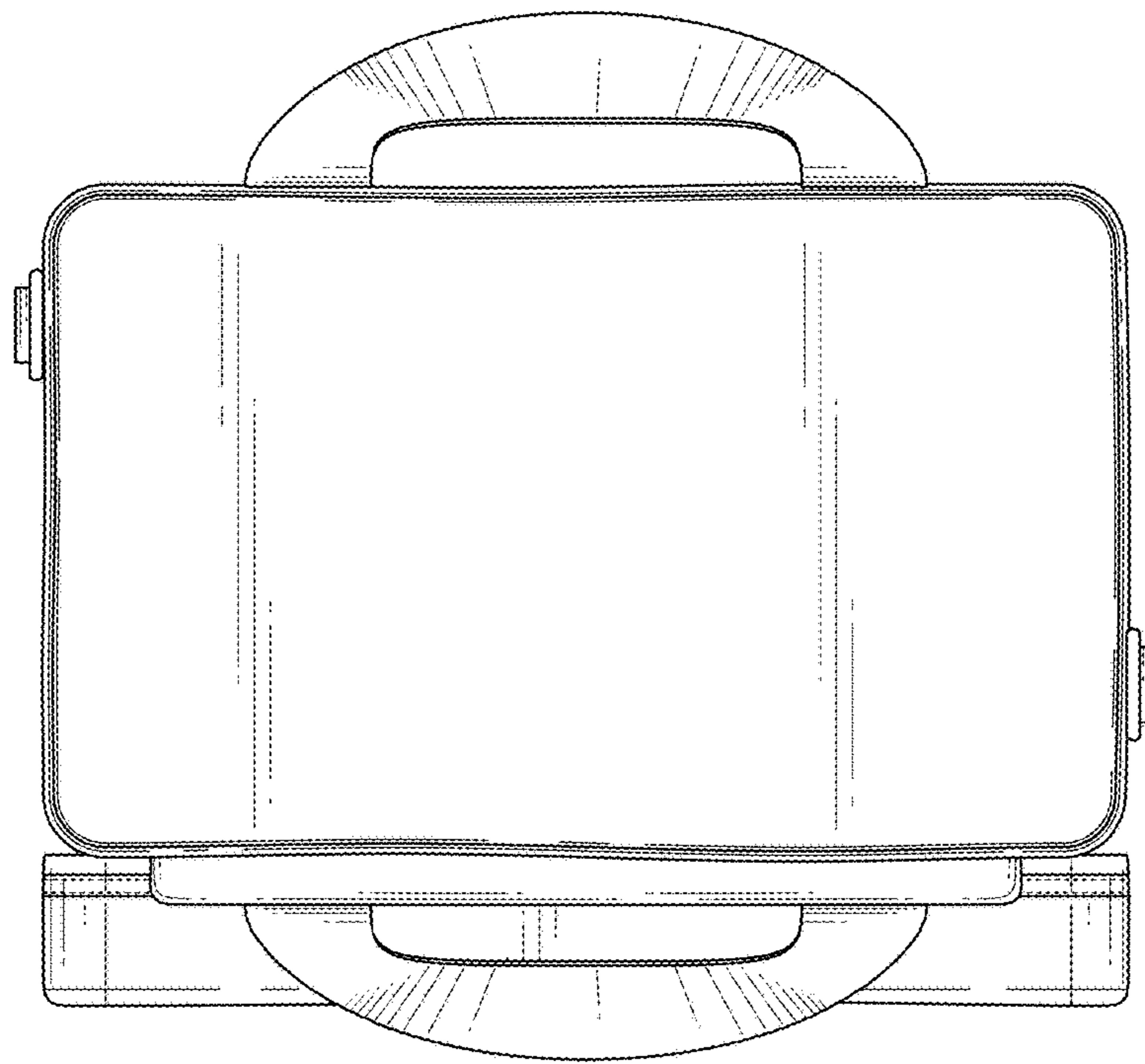


FIG. 6