



US00D847501S

(12) **United States Design Patent** (10) **Patent No.:** **US D847,501 S**
Carter et al. (45) **Date of Patent:** **** May 7, 2019**

- (54) **BAG**
- (71) Applicant: **Skip Hop, Inc.**, New York, NY (US)
- (72) Inventors: **Chelsea Carter**, Jersey City, NJ (US);
Janet Villano, Jersey City, NJ (US);
Sierra Seip, New York, NY (US); **Ellen Diamant**, New York, NY (US)
- (73) Assignee: **SKIP HOP, INC.**, New York, NY (US)
- (**) Term: **15 Years**
- (21) Appl. No.: **29/633,805**
- (22) Filed: **Jan. 16, 2018**
- (51) **LOC (11) Cl.** **03-01**
- (52) **U.S. Cl.**
USPC **D3/245**
- (58) **Field of Classification Search**
USPC D3/232–233, 240–243, 245–246
(Continued)

(56) **References Cited**

U.S. PATENT DOCUMENTS

- 2,258,942 A 10/1941 White et al.
 - 2,463,993 A 3/1949 Meyers
- (Continued)

Primary Examiner — Holly H Baynham
(74) *Attorney, Agent, or Firm* — Stephen J. Weyer, Esq.;
James R. Hayne, Esq.; Stites & Harbison, PLLC

(57) **CLAIM**

The ornamental design for a bag, as shown and described.

DESCRIPTION

FIG. 1 is a perspective view taken from the front, left side and top side of the bag of the present design, shown with a

front opening of the lower compartment in a closed position, in accordance with the present design.

FIG. 2 is another perspective view taken from the front, left side and top side of the bag of FIG. 1, shown with the front opening in an open position, in accordance with an aspect the present design.

FIG. 3 is a perspective view taken from the rear, right side and top side of the bag of the present design, shown with a rear opening of the lower compartment in a closed position, in accordance with the present design.

FIG. 4 is another perspective view taken from the rear, right side and top side of the bag of FIG. 1, shown with the rear opening in an open position, in accordance with an aspect the present design.

FIG. 5 is a front elevation view of the bag of FIG. 1.

FIG. 6 is a rear elevation view of the bag of FIG. 1.

FIG. 7 is a left side elevation view of the bag of FIG. 1.

FIG. 8 is a right side elevation view of the bag of FIG. 1.

FIG. 9 is a top plan view of the bag of FIG. 1.

FIG. 10 is a bottom plan view of the bag of FIG. 1.

FIG. 11 is a perspective view taken from the front, left side and top side of another configuration of the bag of the present design, shown with a front opening in a closed position, in accordance with the present design.

FIG. 12 is another perspective view taken from the front, left side and top side of the bag of FIG. 11, shown with its front opening in an open position, in accordance with an aspect the present design.

FIG. 13 is a perspective view taken from the rear, right side and top side of the bag of FIG. 11.

FIG. 14 is a front elevation view of the bag of FIG. 11.

FIG. 15 is a rear elevation view of the bag of FIG. 11.

FIG. 16 is a left side elevation view of the bag of FIG. 11.

FIG. 17 is a right side elevation view of the bag of FIG. 11.

FIG. 18 is a top plan view of the bag of FIG. 11; and,

FIG. 19 is a bottom plan view of the bag of FIG. 11.

The dash-dash broken lines shown represent stitching and form part of the claimed design. Elements drawn in broken short/long dash lines are included for illustrating portions of the bag, and form no part of the claimed design.

1 Claim, 19 Drawing Sheets



(58) **Field of Classification Search**
 CPC A45C 1/024; A45C 3/06
 See application file for complete search history.

(56) **References Cited**

U.S. PATENT DOCUMENTS

2,533,850	A	12/1950	Syracuse
2,555,778	A	6/1951	Blume
2,801,666	A	8/1957	Huffman et al.
3,759,356	A	9/1973	Bostick et al.
4,098,312	A	7/1978	McCain
5,630,537	A	5/1997	Sciacca
5,961,216	A	10/1999	Quinn
6,193,034	B1	2/2001	Fournier
6,213,268	B1	4/2001	Dancyger
6,223,870	B1	5/2001	Godshaw
D457,307	S	5/2002	Pukall et al.
6,435,390	B1	8/2002	Abramowicz
6,595,604	B1	7/2003	Peterson
6,612,434	B1	9/2003	Redzisz
6,702,167	B2	3/2004	Annis
6,749,273	B1	6/2004	Peterson
6,779,638	B2	8/2004	Renz et al.
6,994,132	B2	2/2006	Antrobus
7,150,346	B2	12/2006	Renz et al.

D587,895	S	3/2009	Patadia et al.	
D603,169	S	11/2009	Smith	
7,789,115	B2	9/2010	Preciado et al.	
8,074,853	B1	12/2011	Hirshberg	
D691,798	S *	10/2013	Venturini Fendi	D3/232
8,800,737	B2	8/2014	Fair et al.	
8,844,756	B2	9/2014	Beyburg	
8,910,844	B2	12/2014	Rowe et al.	
D720,925	S	1/2015	Jones et al.	
D726,407	S *	4/2015	Kuster	D3/232
D750,372	S *	3/2016	Slimane	D3/232
9,392,855	B2	7/2016	Taylor et al.	
D783,274	S *	4/2017	Maier	D3/232
D783,278	S *	4/2017	Guyon	D3/245
D784,010	S *	4/2017	Dumas	D3/232
D799,209	S *	10/2017	Spaziani	D3/245
D822,985	S *	7/2018	Pos	D3/232
D824,665	S *	8/2018	Spaziani	D3/232
D831,348	S *	10/2018	Wells	D3/245
2004/0026294	A1	2/2004	Platte	
2005/0051404	A1	3/2005	Chi	
2005/0121275	A1	6/2005	Platte, III	
2009/0050246	A1	2/2009	Godshaw et al.	
2011/0030415	A1	2/2011	Breyburg et al.	
2011/0146856	A1	6/2011	Vancelette	
2017/0006987	A1	1/2017	Clough	

* cited by examiner



FIG. 1



FIG. 2

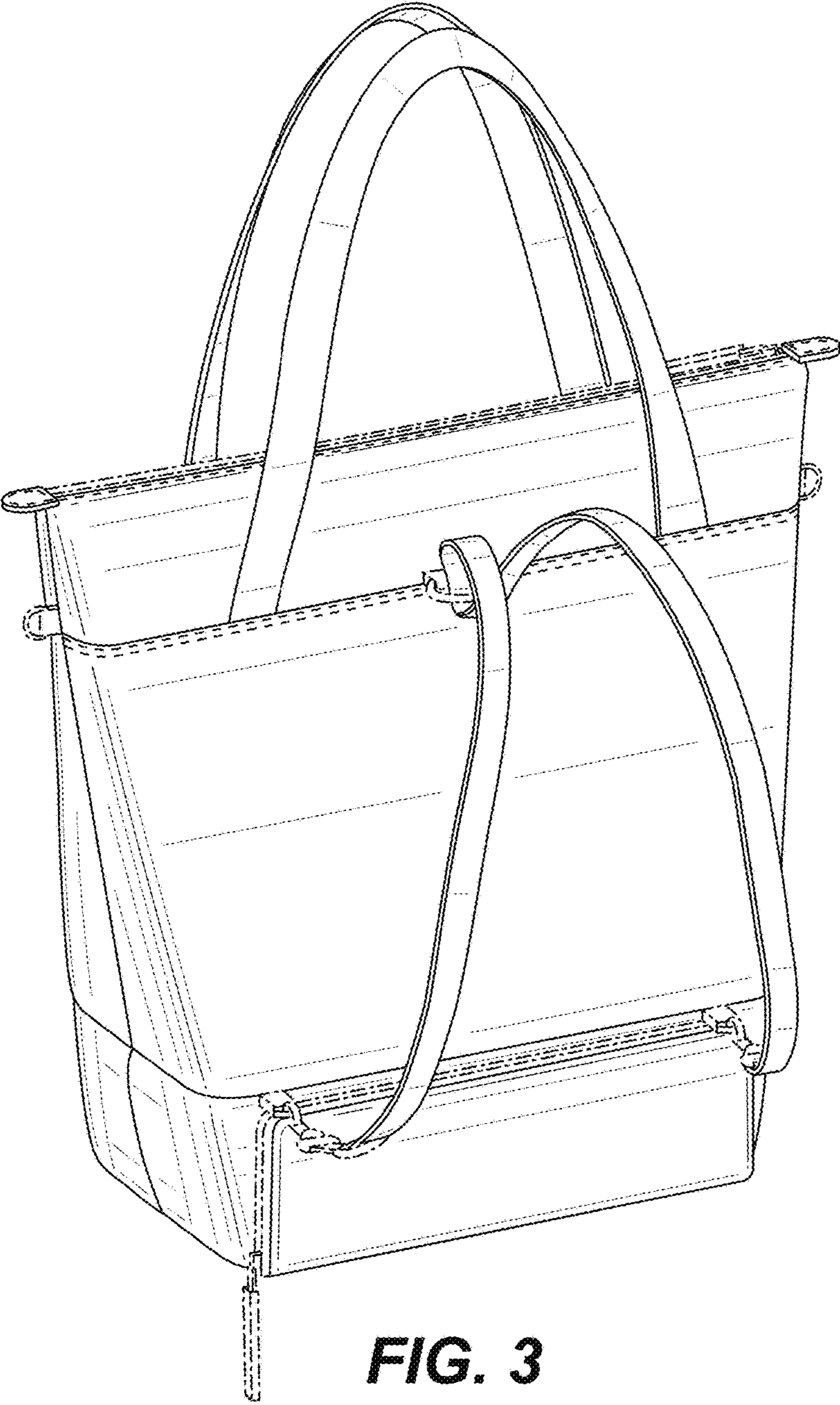


FIG. 3

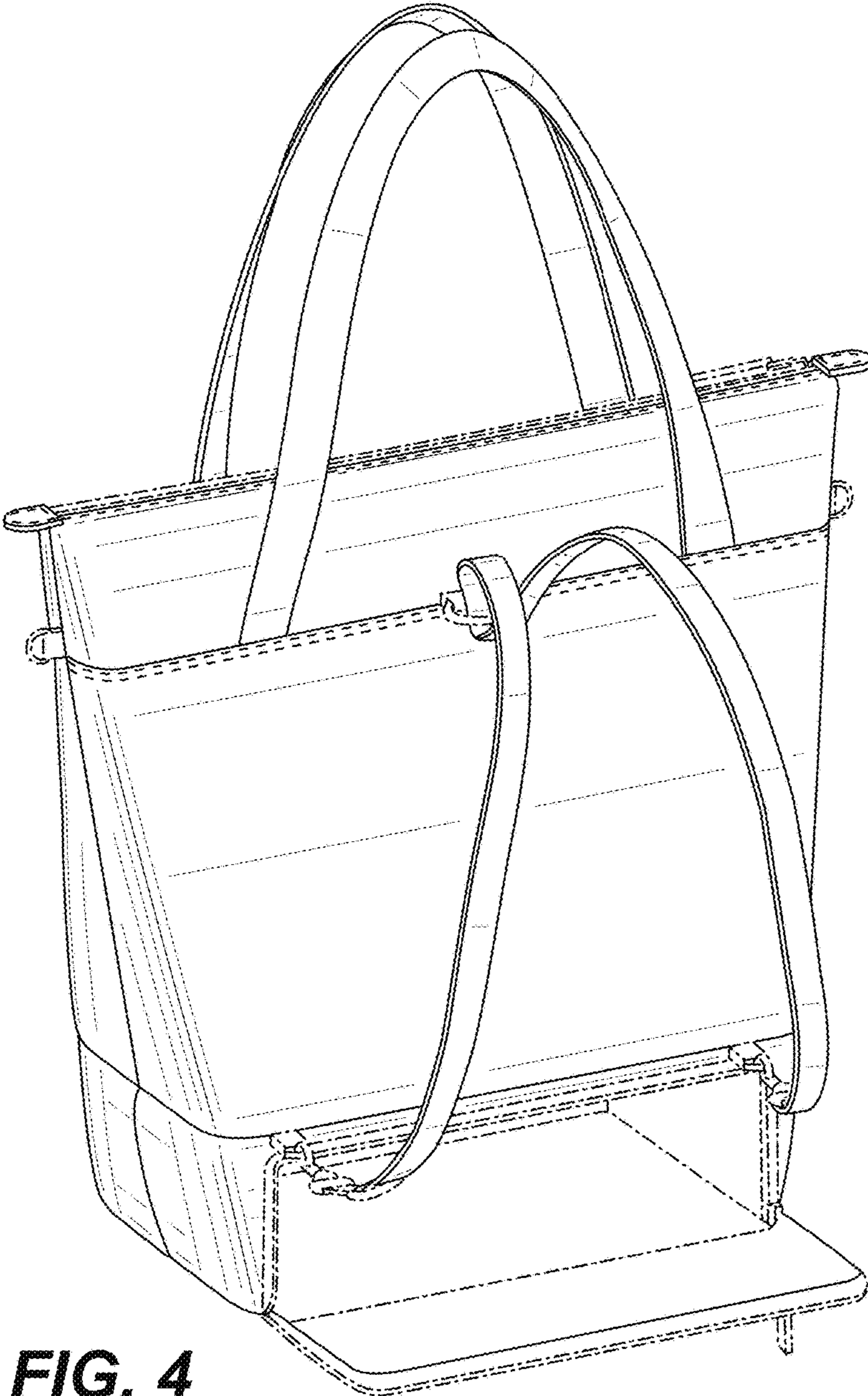


FIG. 4

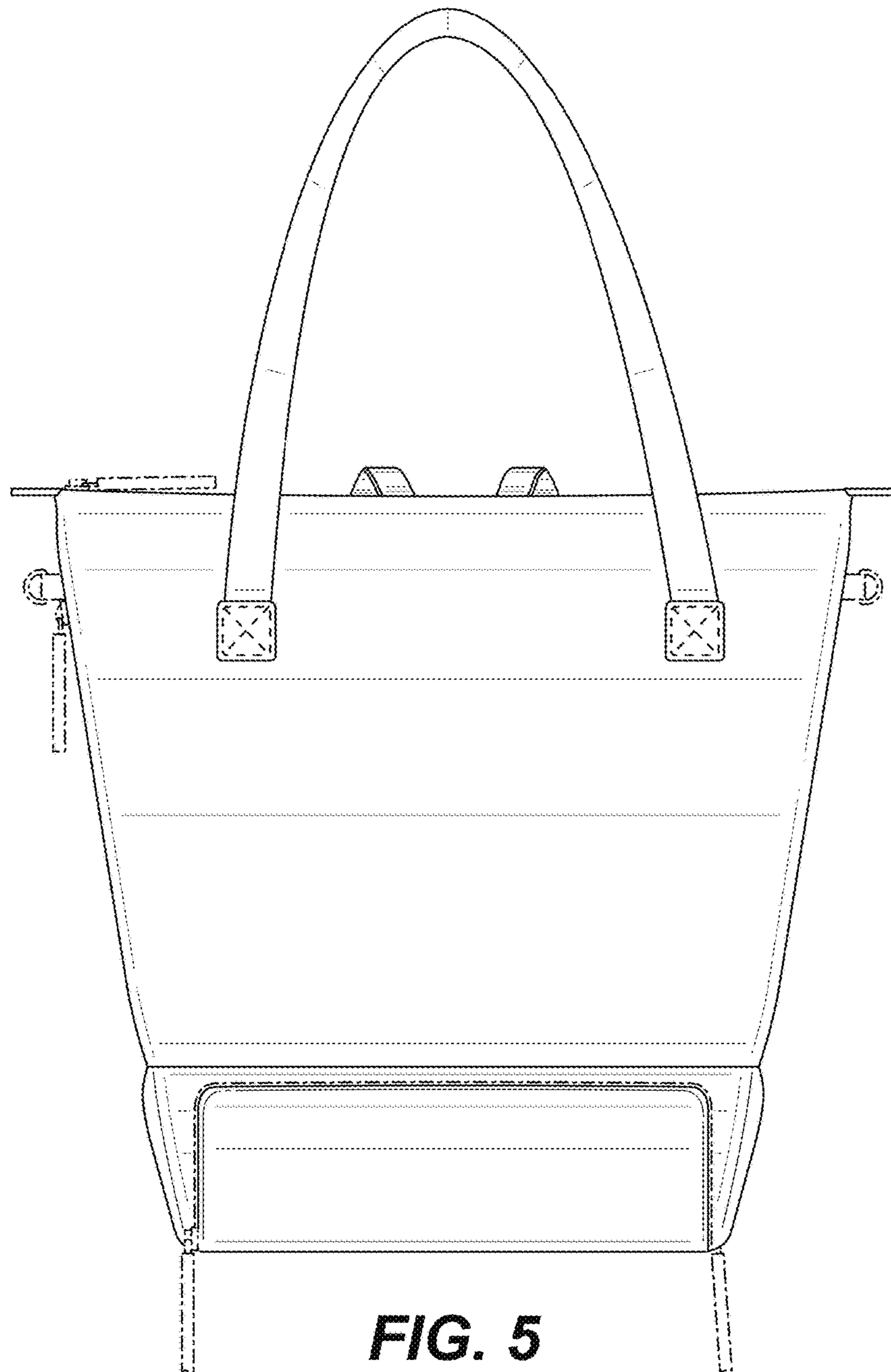
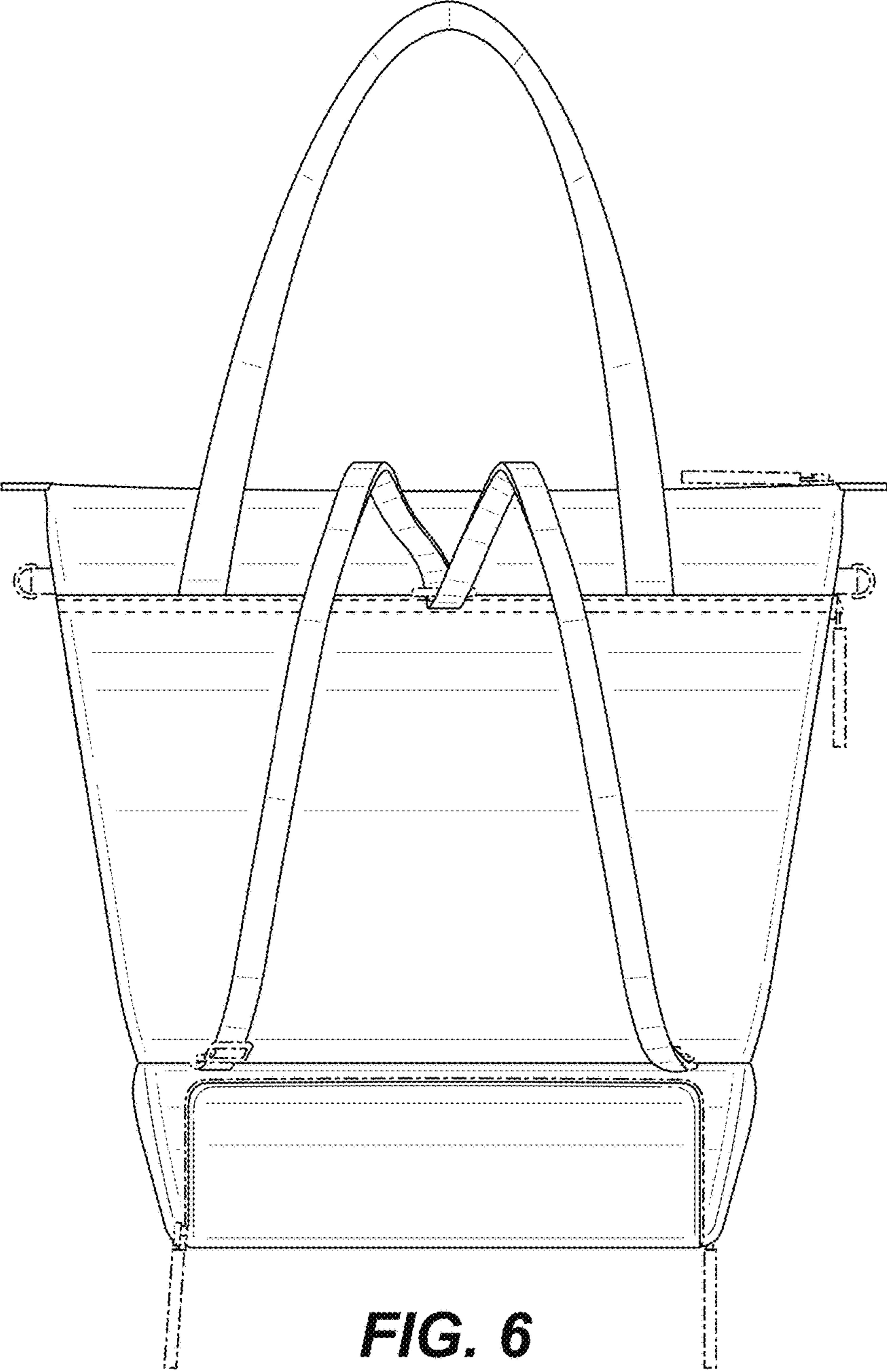
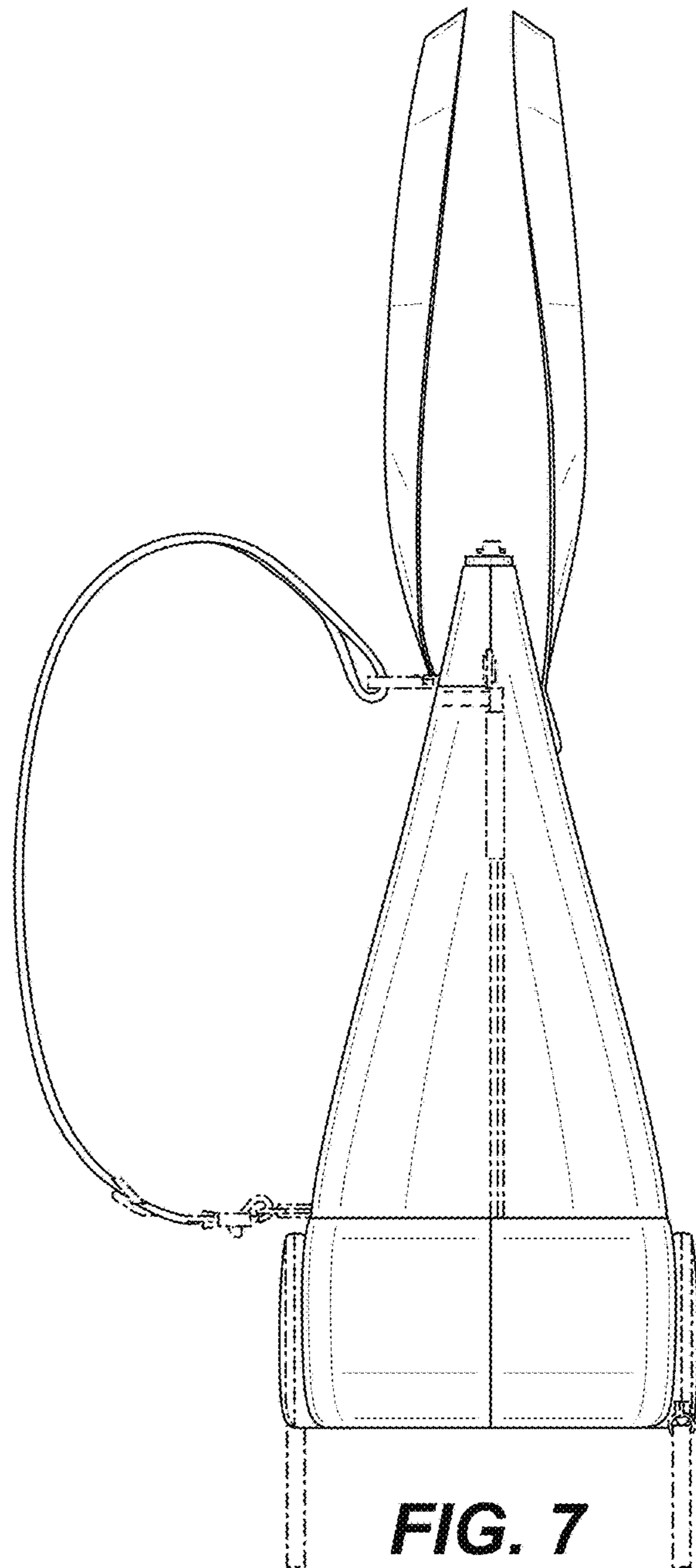
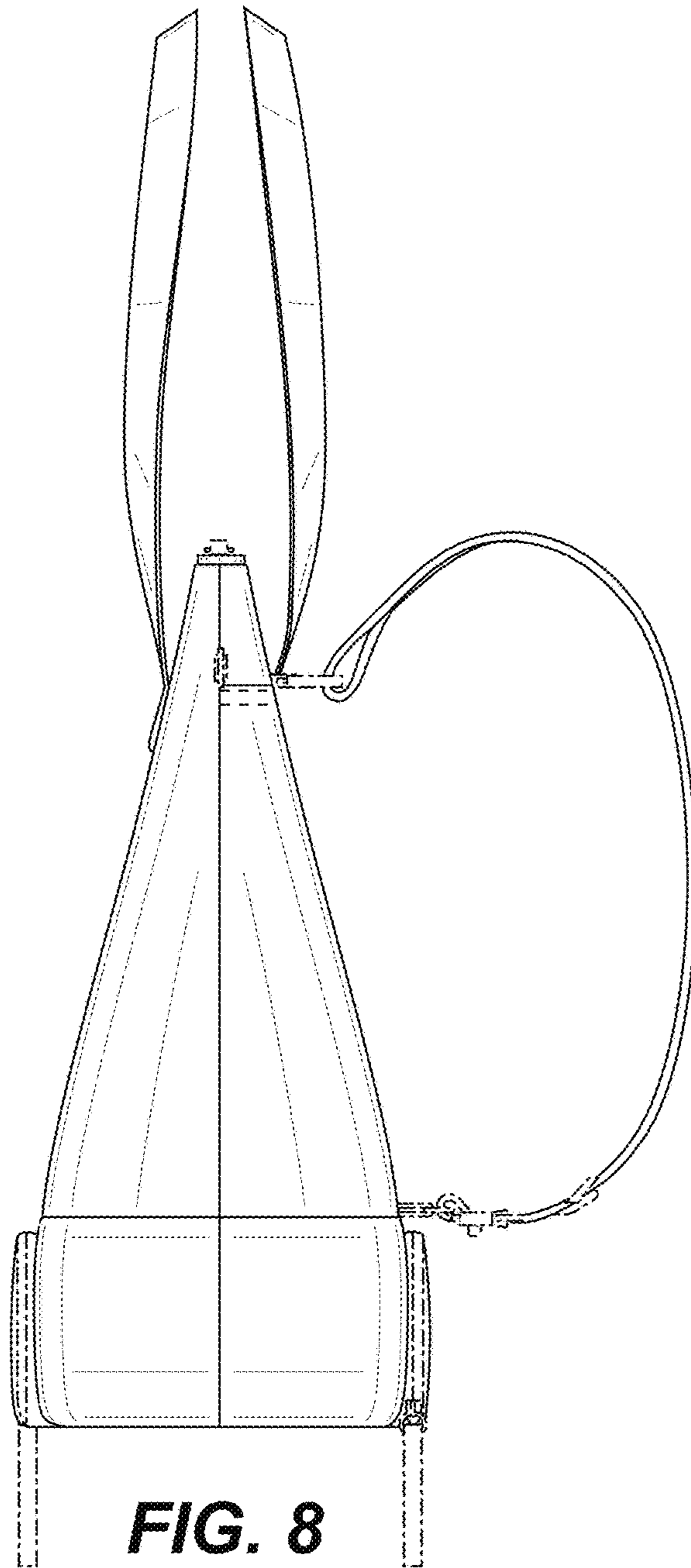


FIG. 5







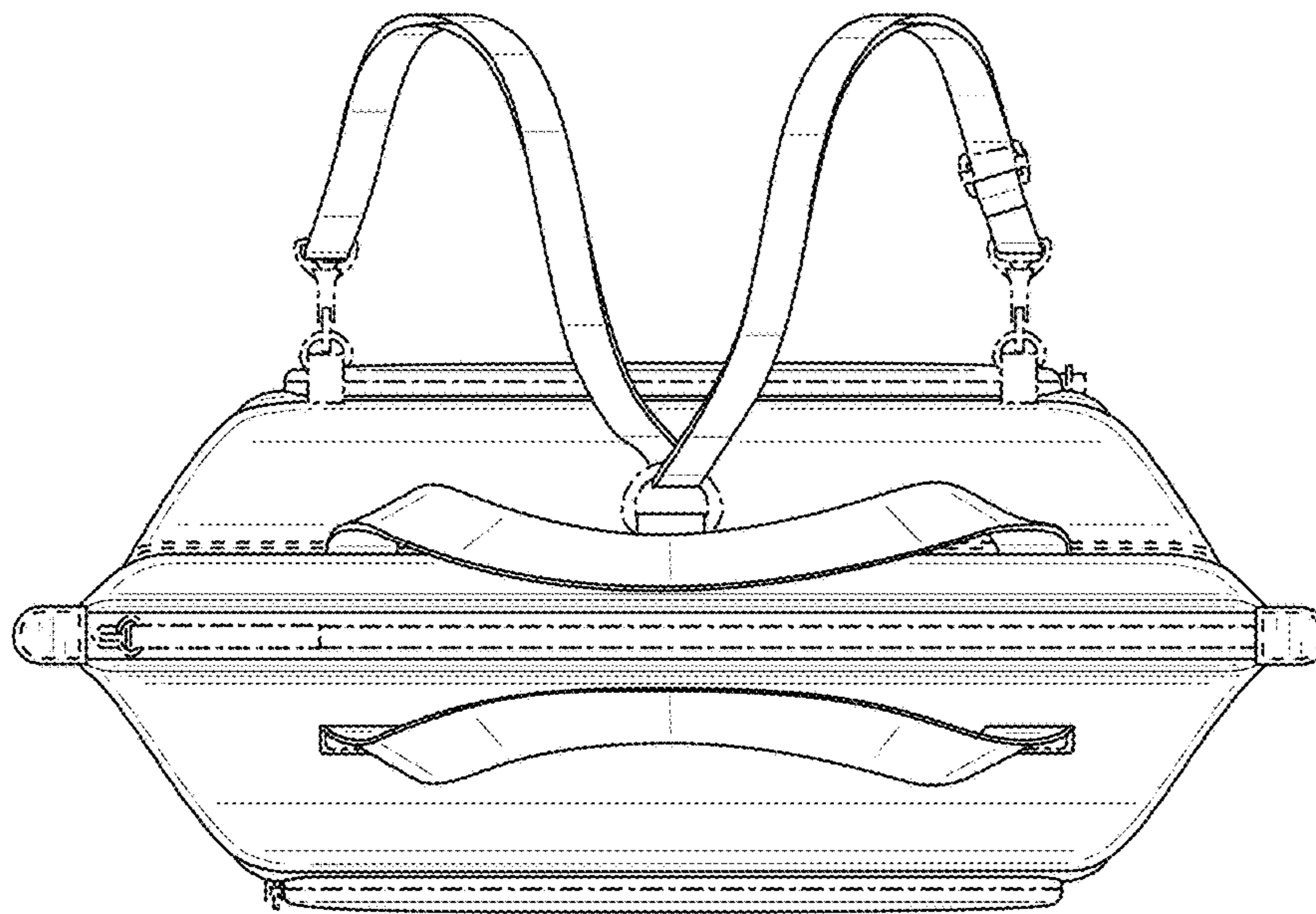


FIG. 9

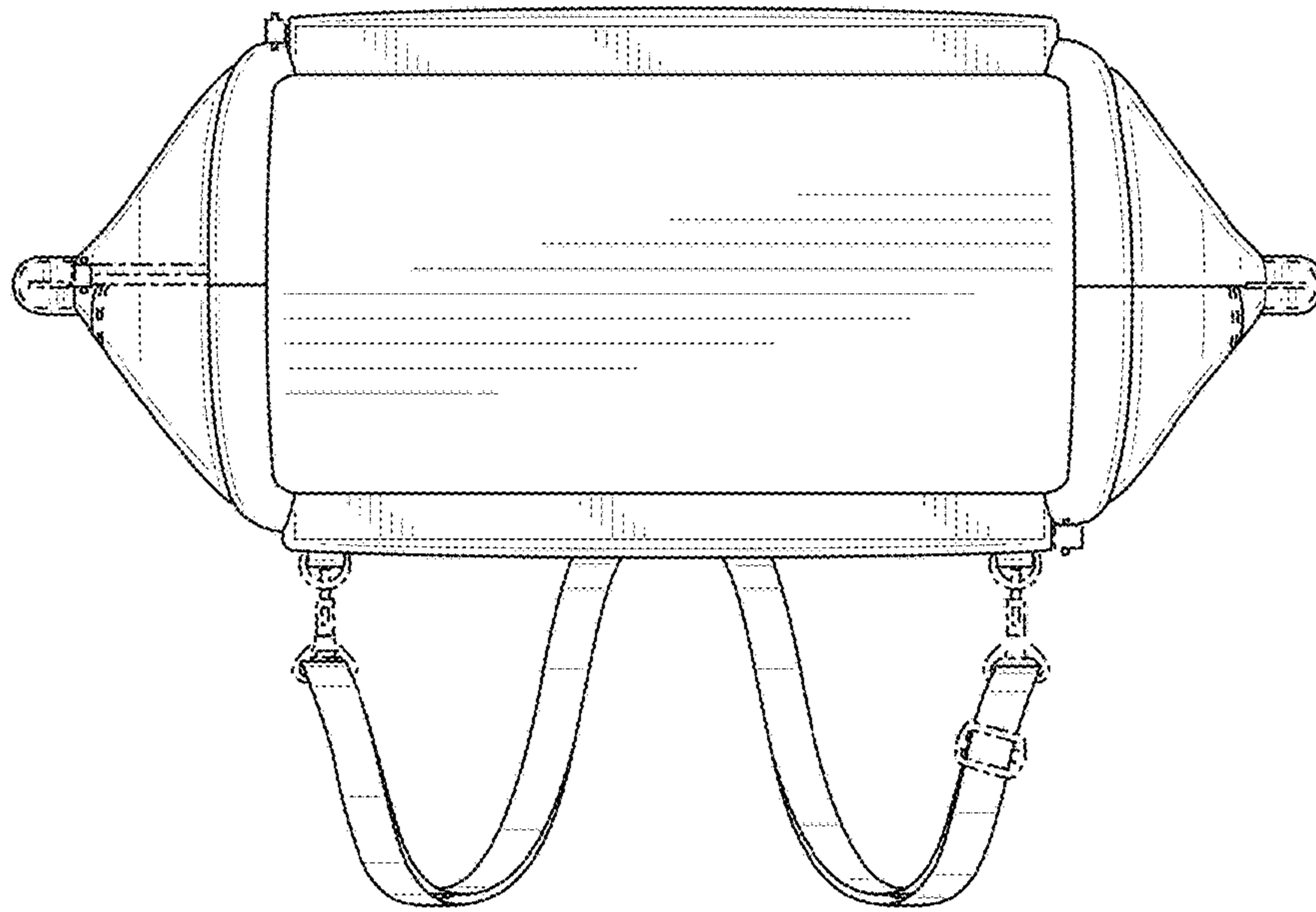


FIG. 10



FIG. 11



FIG. 12

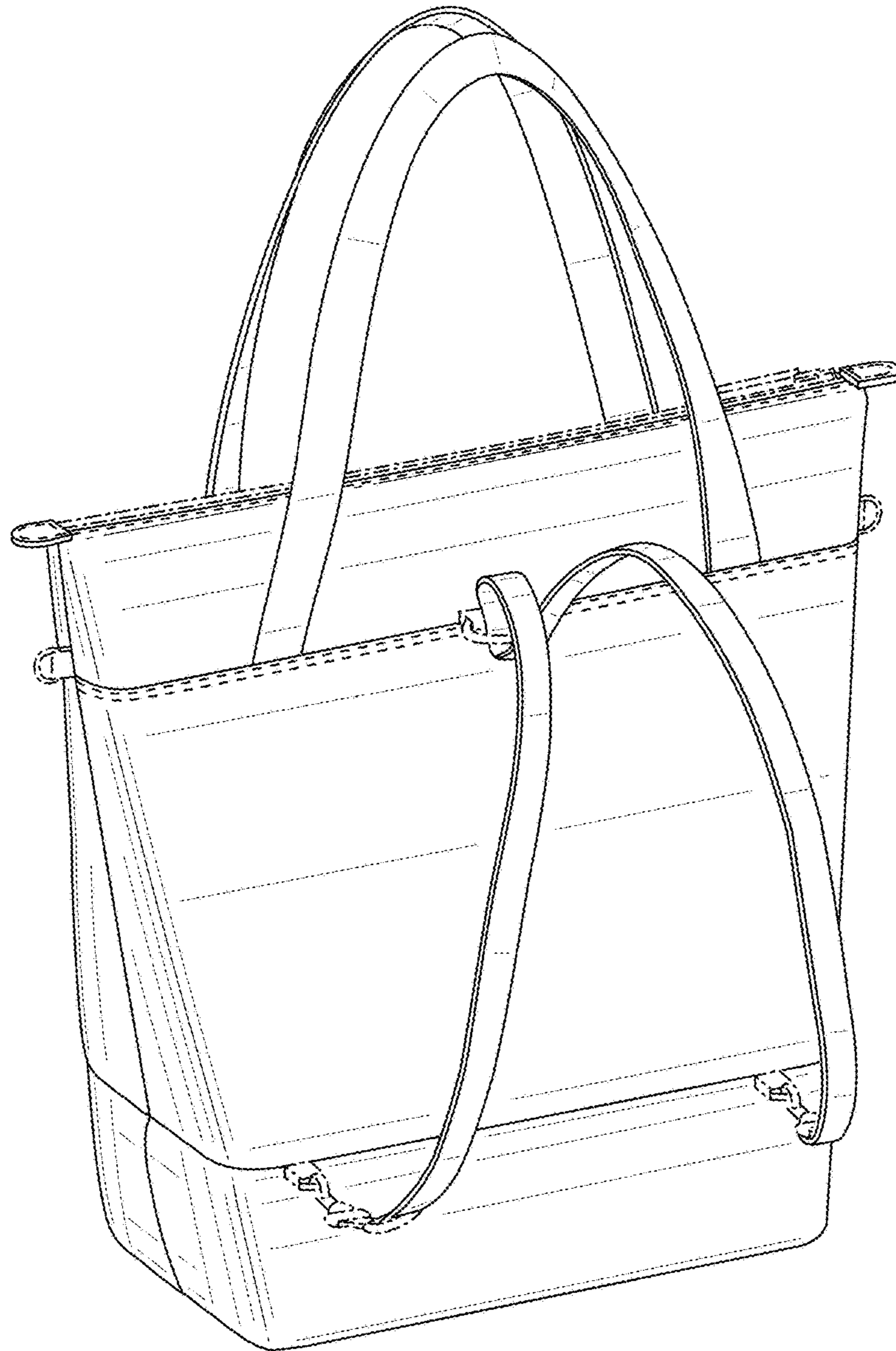


FIG. 13

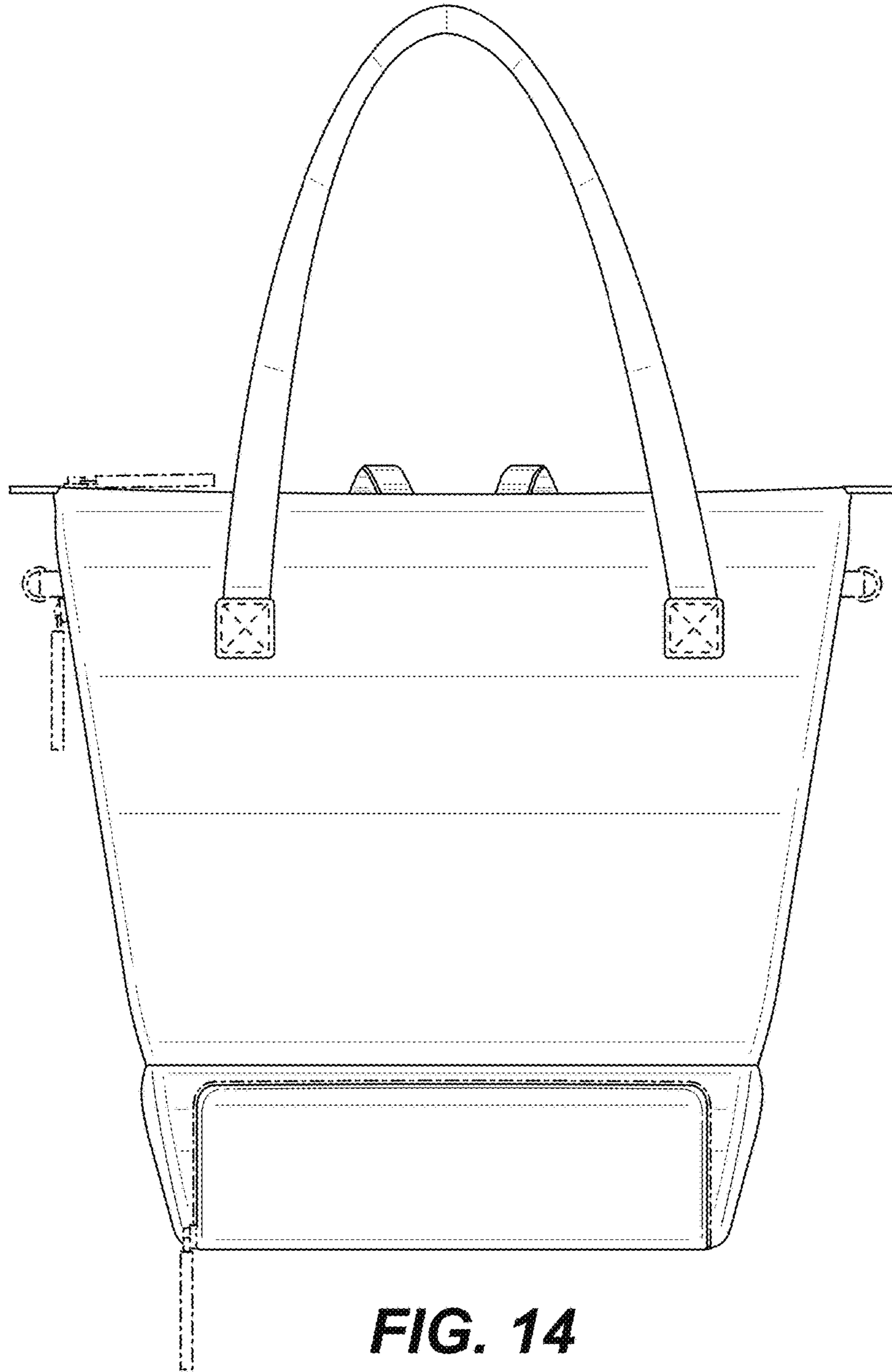
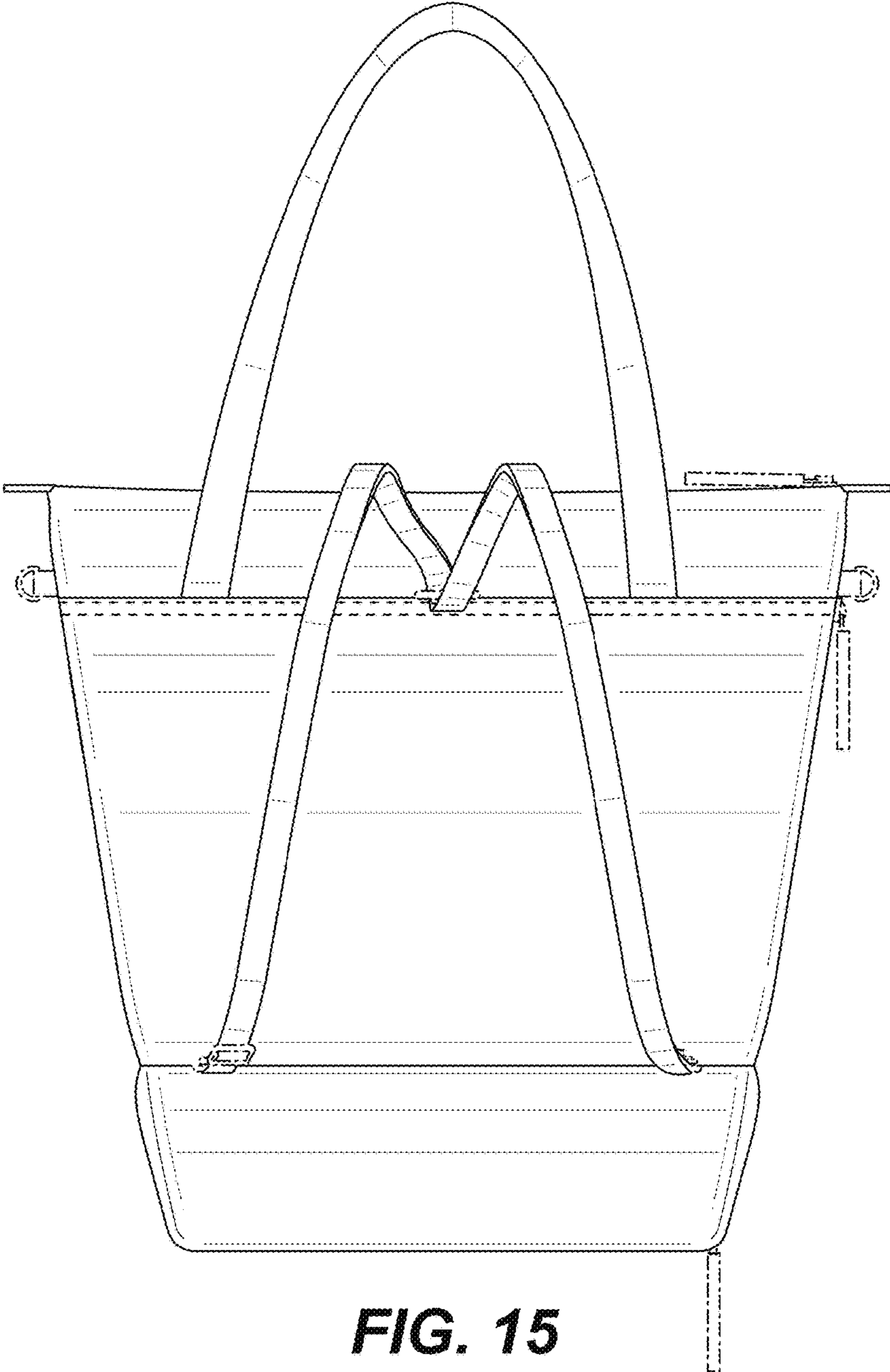


FIG. 14



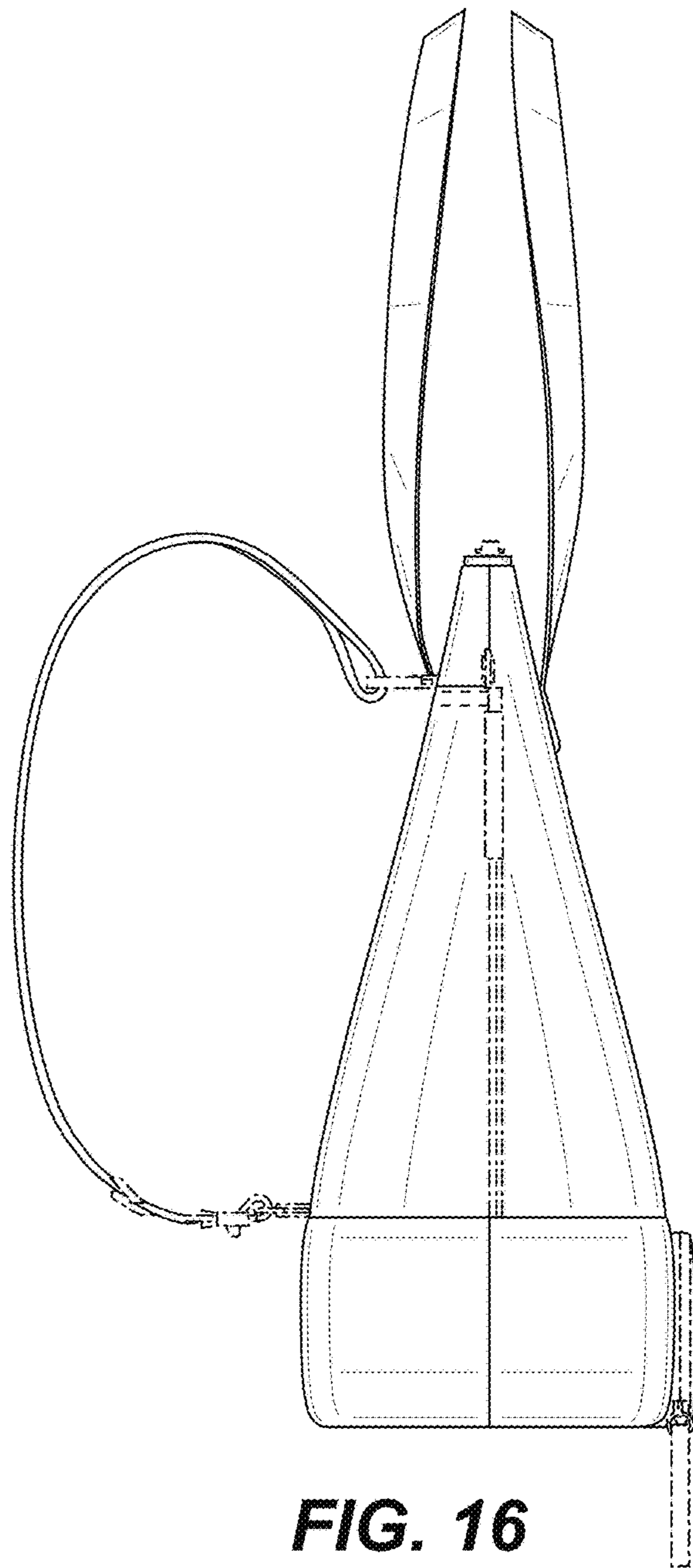
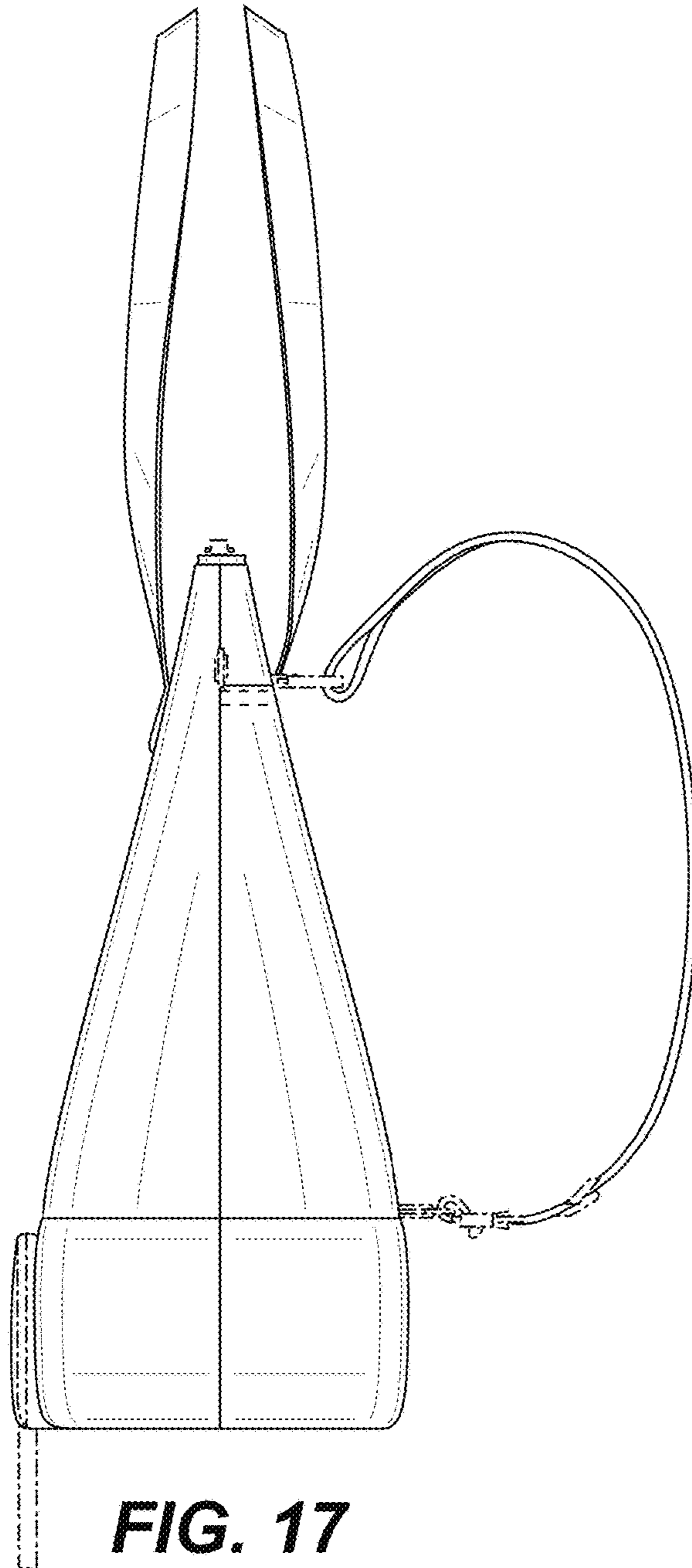


FIG. 16



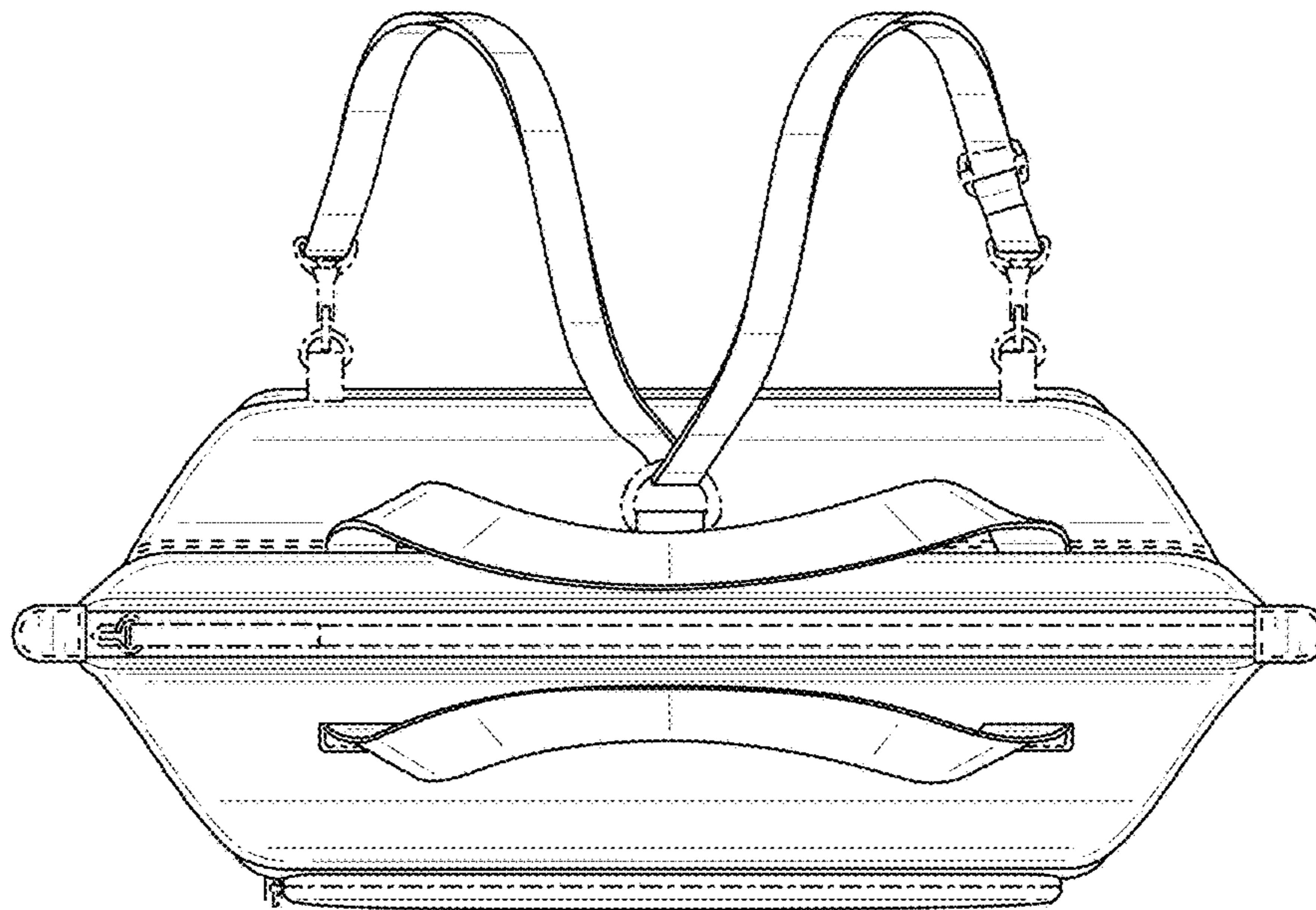


FIG. 18

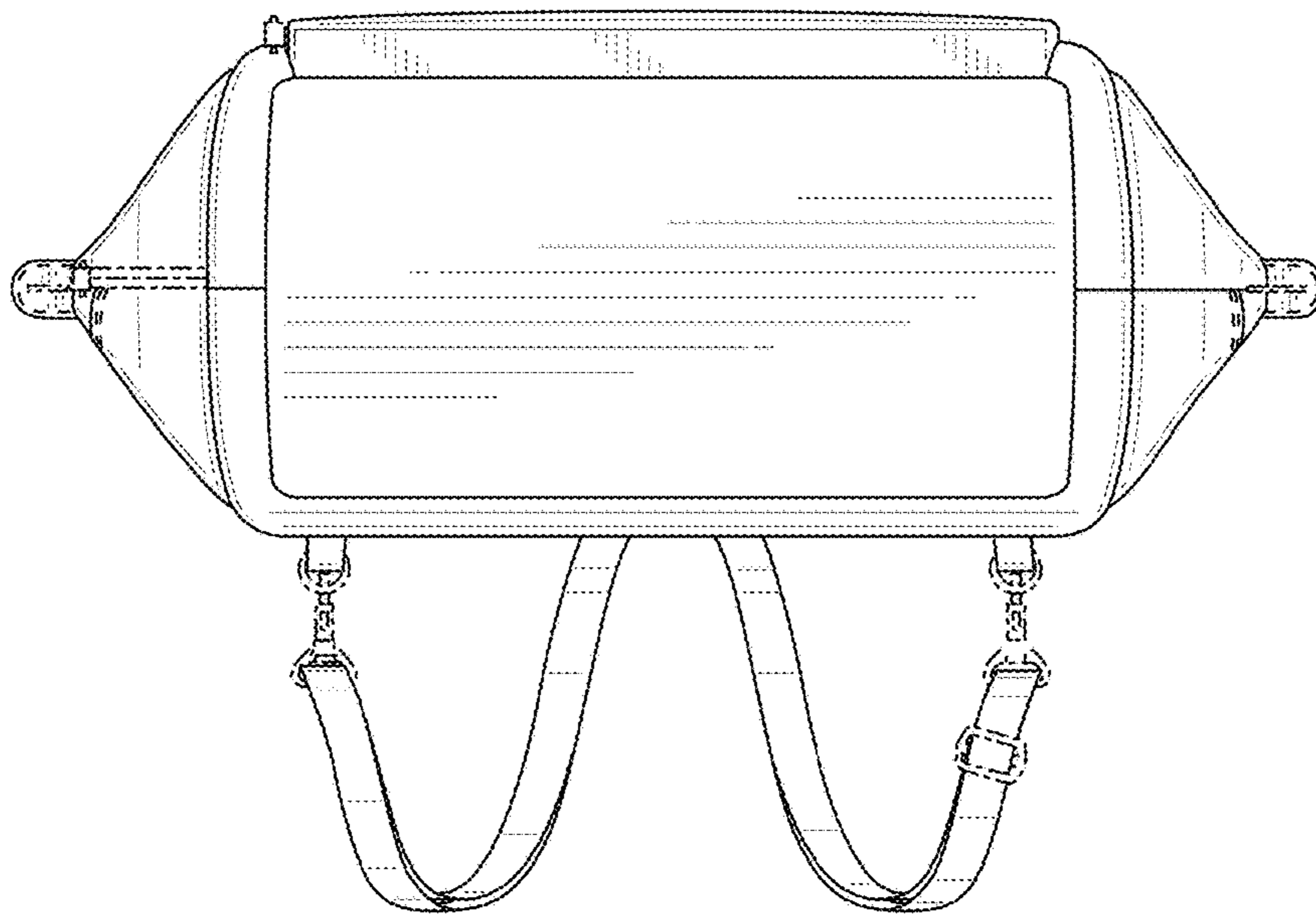


FIG. 19