



US00D847496S

(12) **United States Design Patent** (10) **Patent No.:** **US D847,496 S**  
**Smart, Sr.** (45) **Date of Patent:** **\*\* \*May 7, 2019**

- (54) **SEWN HOLSTER**
- (71) Applicant: **Frederick Allan Smart, Sr.**, Canton, OH (US)
- (72) Inventor: **Frederick Allan Smart, Sr.**, Canton, OH (US)
- (\*) Notice: This patent is subject to a terminal disclaimer.
- (\*\*) Term: **15 Years**
- (21) Appl. No.: **29/596,605**
- (22) Filed: **Mar. 9, 2017**
- (51) **LOC (11) Cl.** ..... **03-01**
- (52) **U.S. Cl.**  
USPC ..... **D3/222**
- (58) **Field of Classification Search**  
USPC ..... D3/222-223; 224/191-193, 238, 224/243-244, 252-253, 673, 911-913  
CPC ..... A45F 5/02; A45F 5/021; F41C 33/0218; F41C 33/041; F41C 33/046; F41C 33/0209; F41C 33/0254; F41C 33/0236; F41C 33/0227; F41C 33/0263  
See application file for complete search history.

- D356,677 S \* 3/1995 Kalasountas ..... D3/222
- D414,337 S \* 9/1999 Hubert ..... D3/222
- D620,705 S \* 8/2010 Beard ..... D3/222
- D795,569 S \* 8/2017 McCoy-Watson ..... D3/222

\* cited by examiner

*Primary Examiner* — Catherine R Oliver-Garcia  
(74) *Attorney, Agent, or Firm* — Quickpatents, LLC; Kevin Prince

(57) **CLAIM**

I claim the ornamental design for a sewn holster, as shown and described.

**DESCRIPTION**

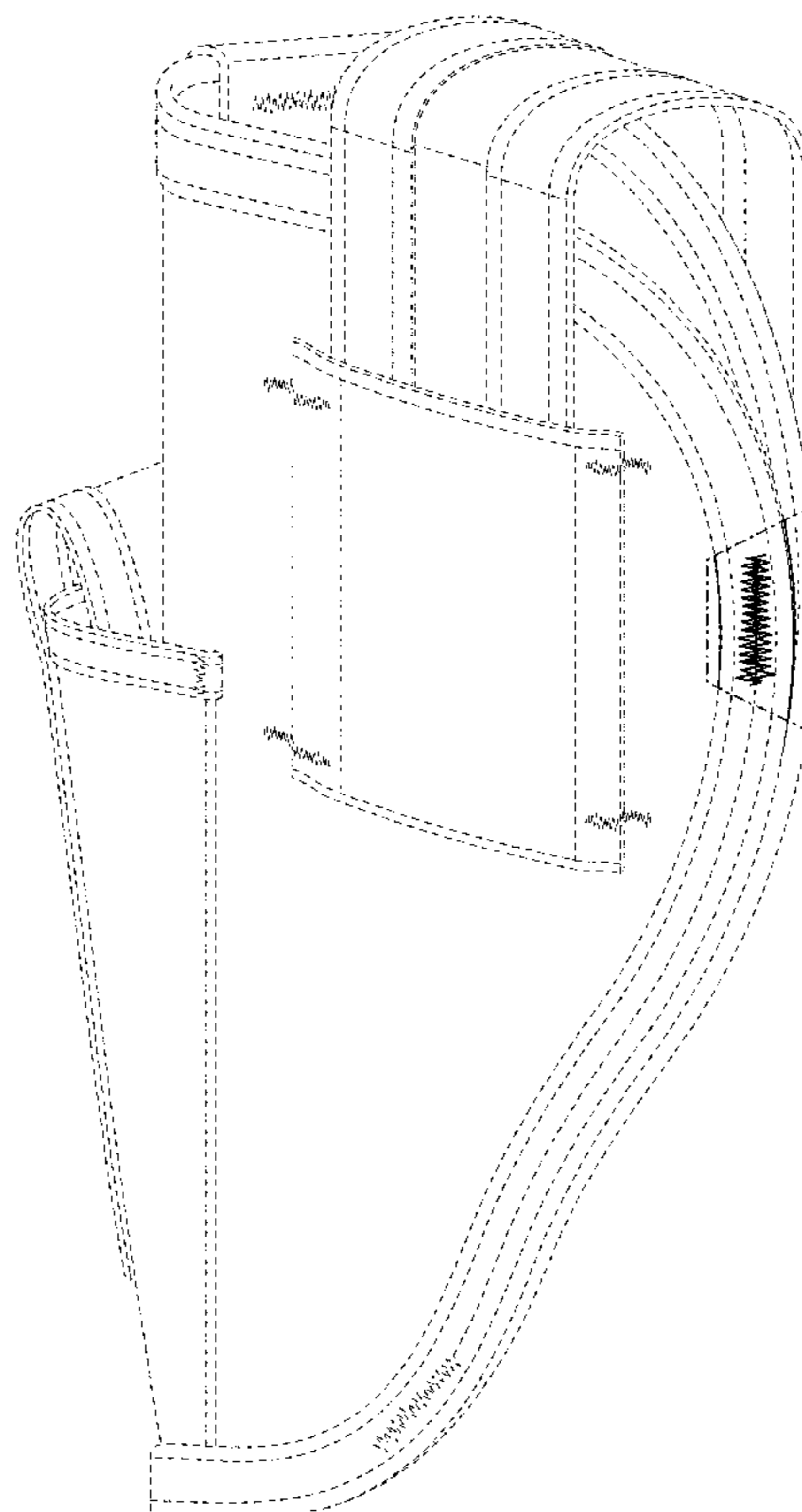
FIG. 1 is a perspective view of the sewn holster showing my new design;  
FIG. 2 is a front elevation view thereof;  
FIG. 3 is a left side elevation view thereof; and,  
FIG. 4 is a right side elevation view thereof.  
The broken lines on the holster represent stitching, and are part of the claimed design. The dot-dashed broken lines of the second and fourth embodiment represent a boundary of the claimed design. The remaining broken lines of the second and fourth embodiment represent portions of the holster that form no part of the claimed design.

(56) **References Cited**

U.S. PATENT DOCUMENTS

- D294,198 S \* 2/1988 Collins ..... D3/222
- D294,199 S \* 2/1988 Collins ..... D3/220

**1 Claim, 4 Drawing Sheets**



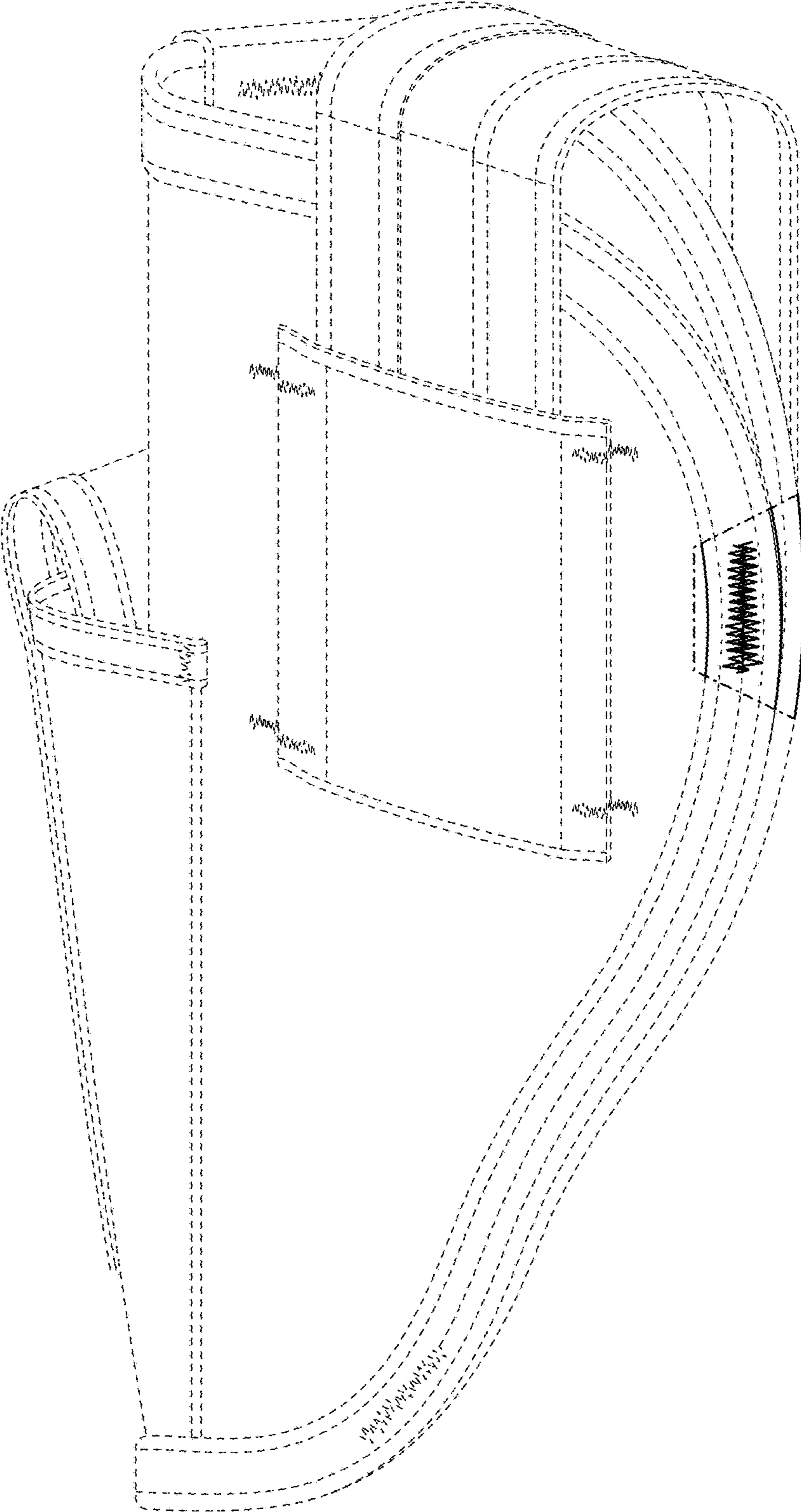


FIG. 1

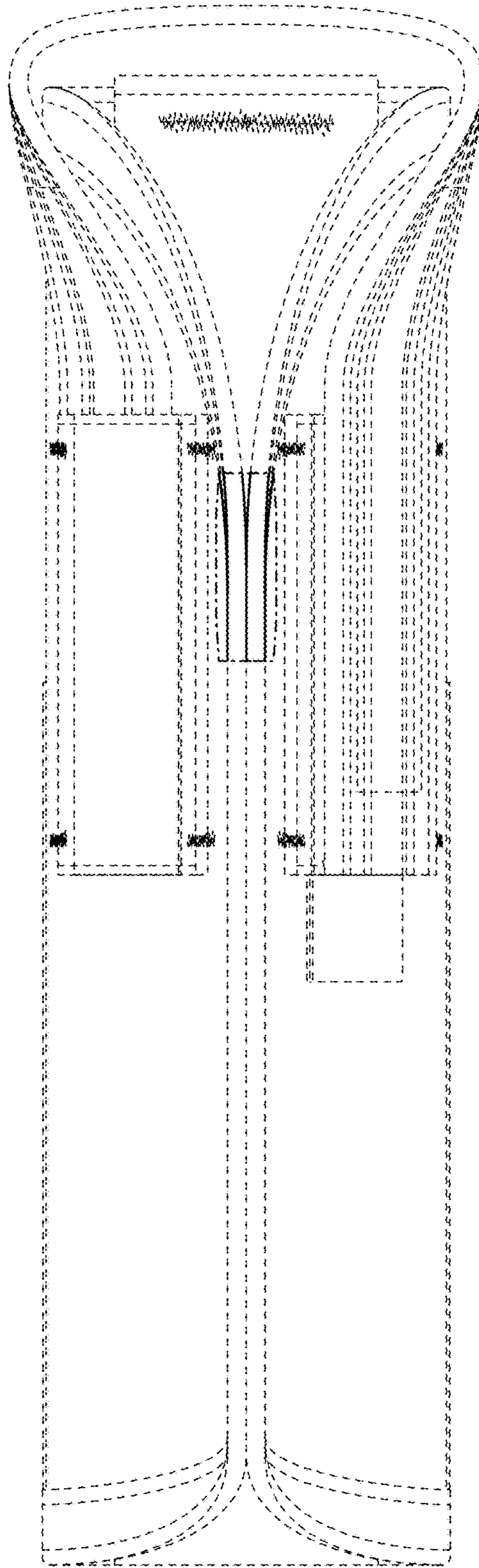


FIG. 2

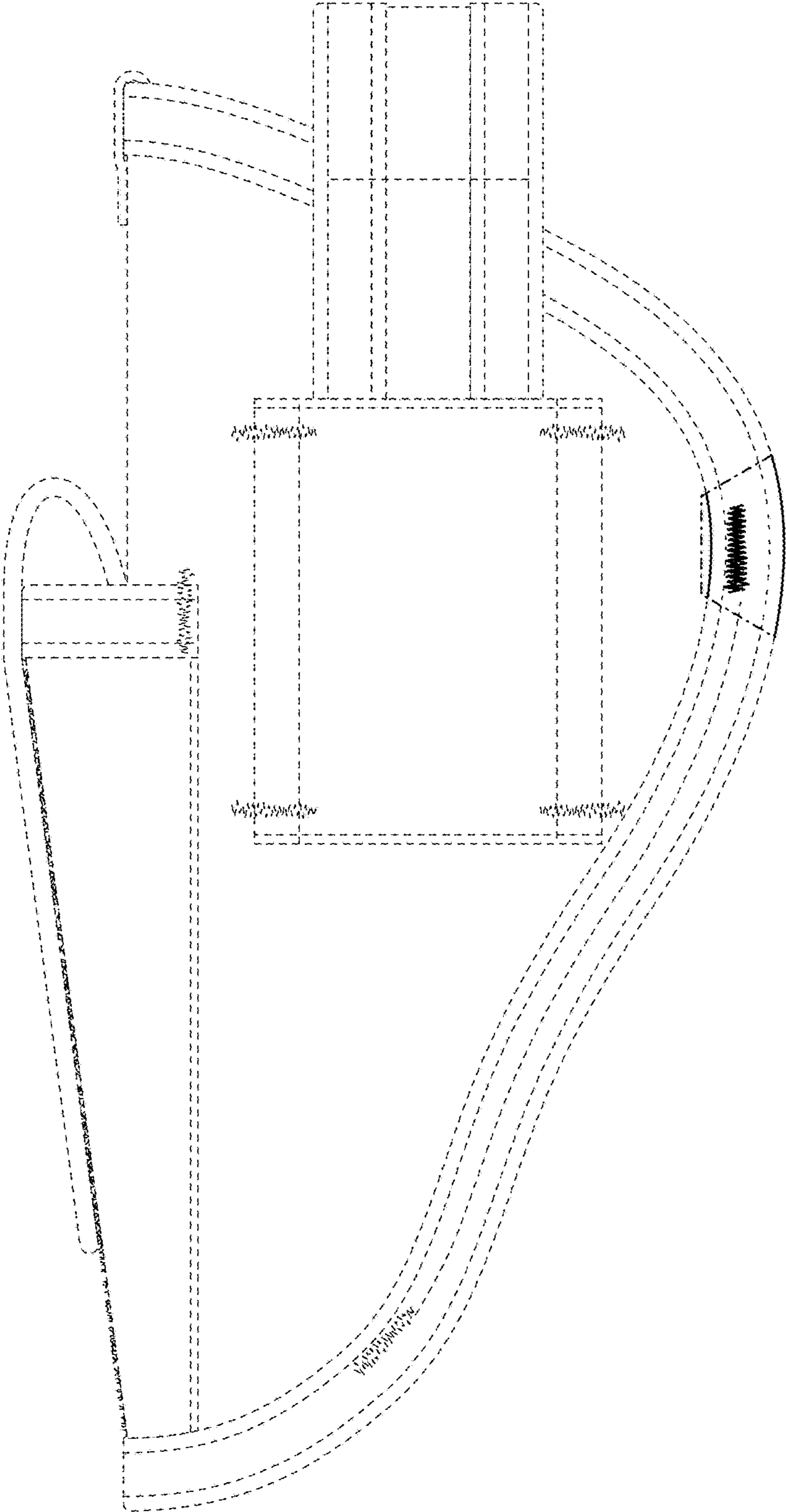


FIG. 3

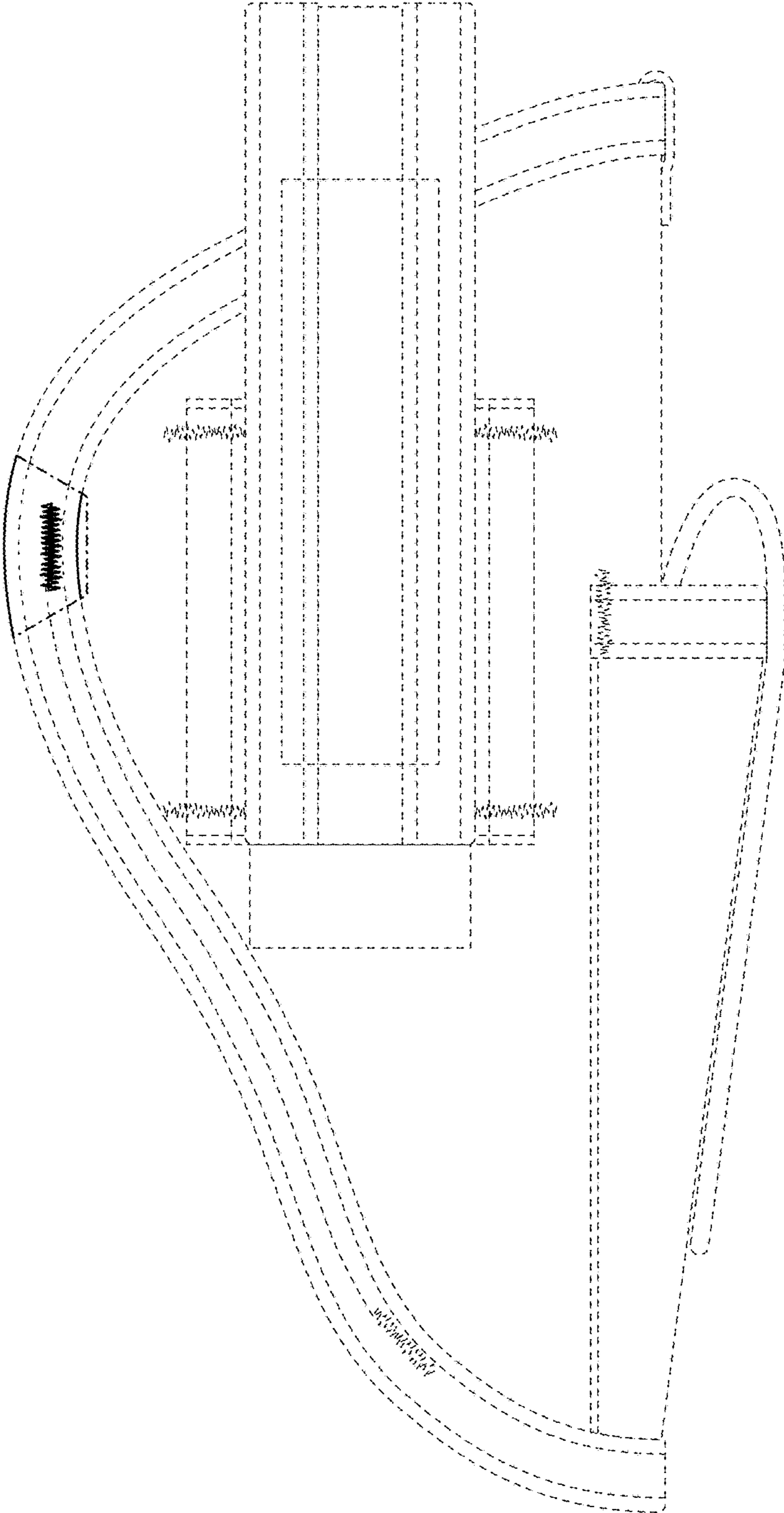


FIG. 4