



US00D847495S

(12) **United States Design Patent** (10) **Patent No.:** **US D847,495 S**
Zhang (45) **Date of Patent:** **** May 7, 2019**

(54) **PHONE PURSE WALLET BAG**

(74) *Attorney, Agent, or Firm* — Maier & Maier, PLLC

(71) Applicant: **Zhiguang Zhang**, Guangzhou (CN)

(57) **CLAIM**

(72) Inventor: **Zhiguang Zhang**, Guangzhou (CN)

The ornamental design for a phone purse wallet bag, as shown and described.

(**) Term: **15 Years**

DESCRIPTION

(21) Appl. No.: **29/632,130**

(22) Filed: **Jan. 5, 2018**

(51) **LOC (11) Cl.** **03-01**

(52) **U.S. Cl.**
USPC **D3/218**

(58) **Field of Classification Search**
USPC D3/218, 215, 219, 232–233, 247–248;
206/305, 320; 455/566, 575.1–575.8;
224/254, 257, 578, 610, 675
CPC A45C 11/00; A45F 5/00; A45F 2005/006;
A45F 2200/0516; A45F 2200/0525
See application file for complete search history.

FIG. 1 is a perspective view of the bag portion a phone purse wallet bag showing my new design;
FIG. 2 is a front view of the bag portion;
FIG. 3 is a front view of a phone purse wallet bag showing my new design;
FIG. 4 is a rear view of the bag portion;
FIG. 5 is a top view of the bag portion;
FIG. 6 is a bottom view of the bag portion;
FIG. 7 is a left side view of the bag portion;
FIG. 8 is a right side view of the bag portion;
FIG. 9 is a front view thereof showing a flap in an alternate position;
FIG. 10 is a top view thereof showing a flap in an alternate position; and,
FIG. 11 is a top view thereof showing a flap in an alternate position and showing environment.

(56) **References Cited**

U.S. PATENT DOCUMENTS

D629,192 S	*	12/2010	Pueblo	D3/218
D653,444 S	*	2/2012	Larios	D3/218
D676,232 S	*	2/2013	Manning	D3/218
D756,111 S	*	5/2016	Slimane	D3/232
D756,112 S	*	5/2016	Slimane	D3/232
D818,263 S	*	5/2018	Broadhurst	D3/218
D830,055 S	*	10/2018	Miller	D3/218

The strap is not shown in FIGS. 1-2 and 4-11 for convenience of illustration.
The strap is shown broken away in FIG. 3 to indicate that no particular length is claimed and any portion shown in between forms no part of the claimed design.
The broken lines depict environmental structure and are included for the purpose of illustrating only and form no part of the claimed design.

* cited by examiner

Primary Examiner — Catherine R Oliver-Garcia

1 Claim, 12 Drawing Sheets

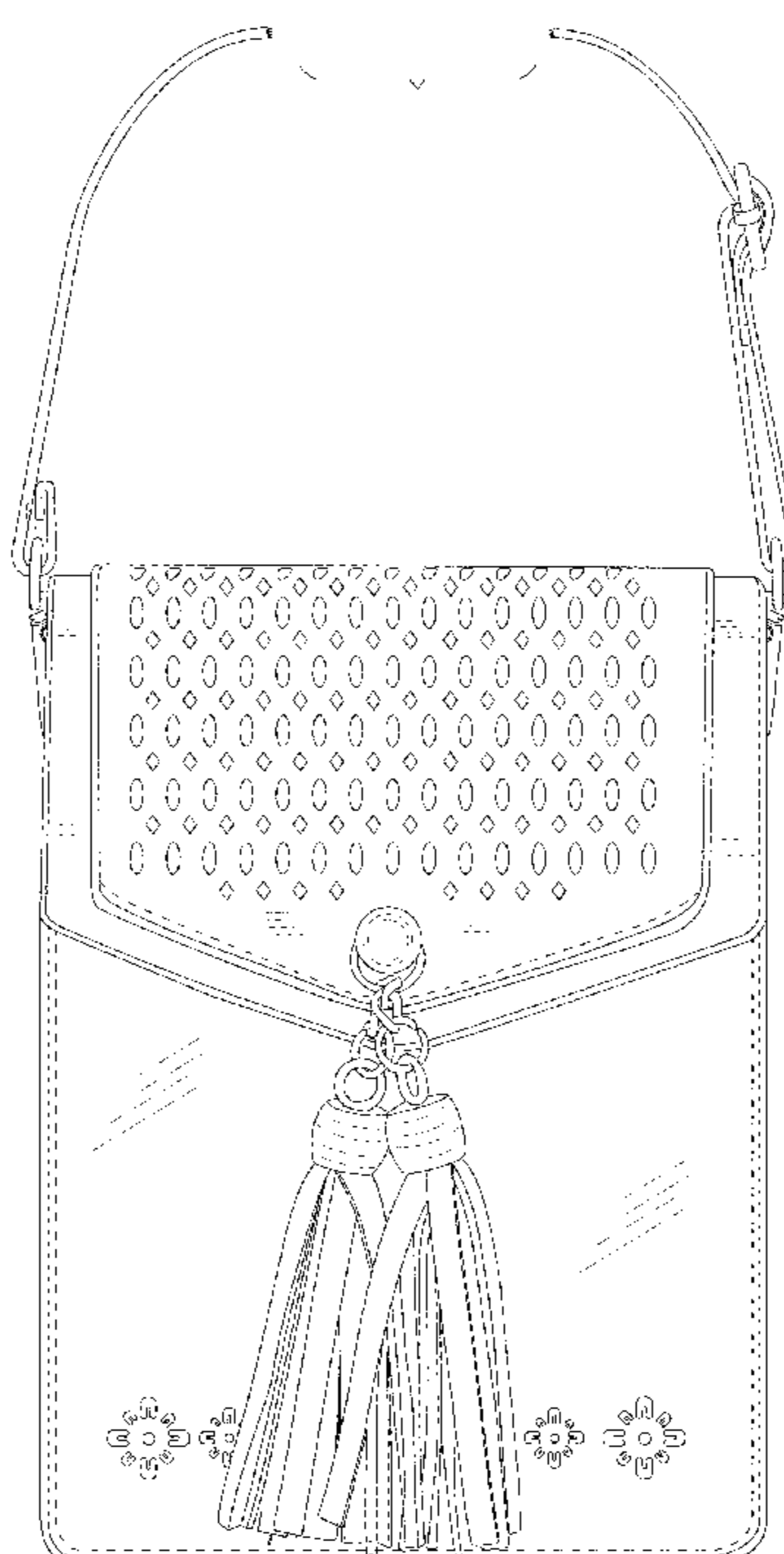




FIG.1

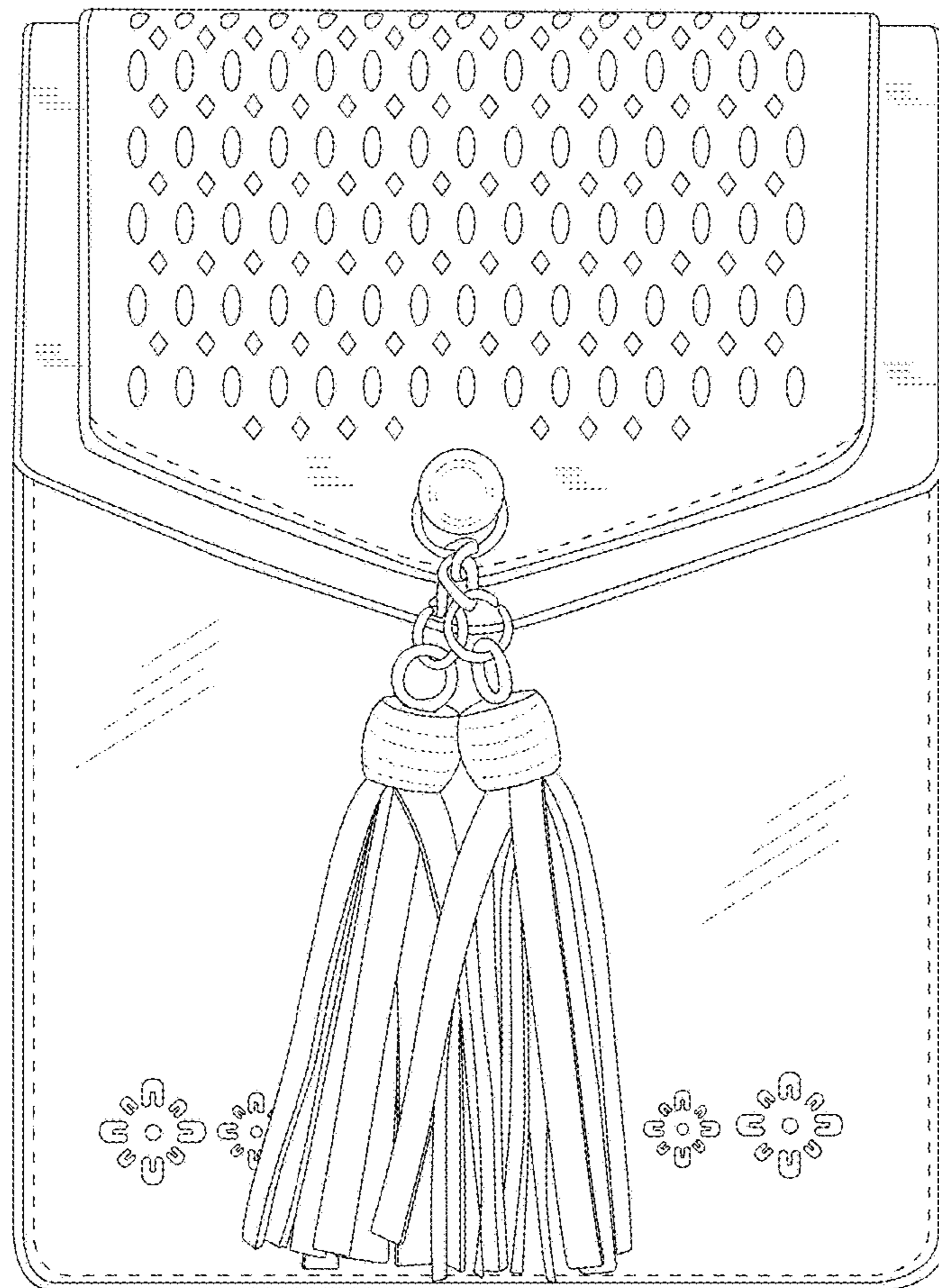


FIG.2

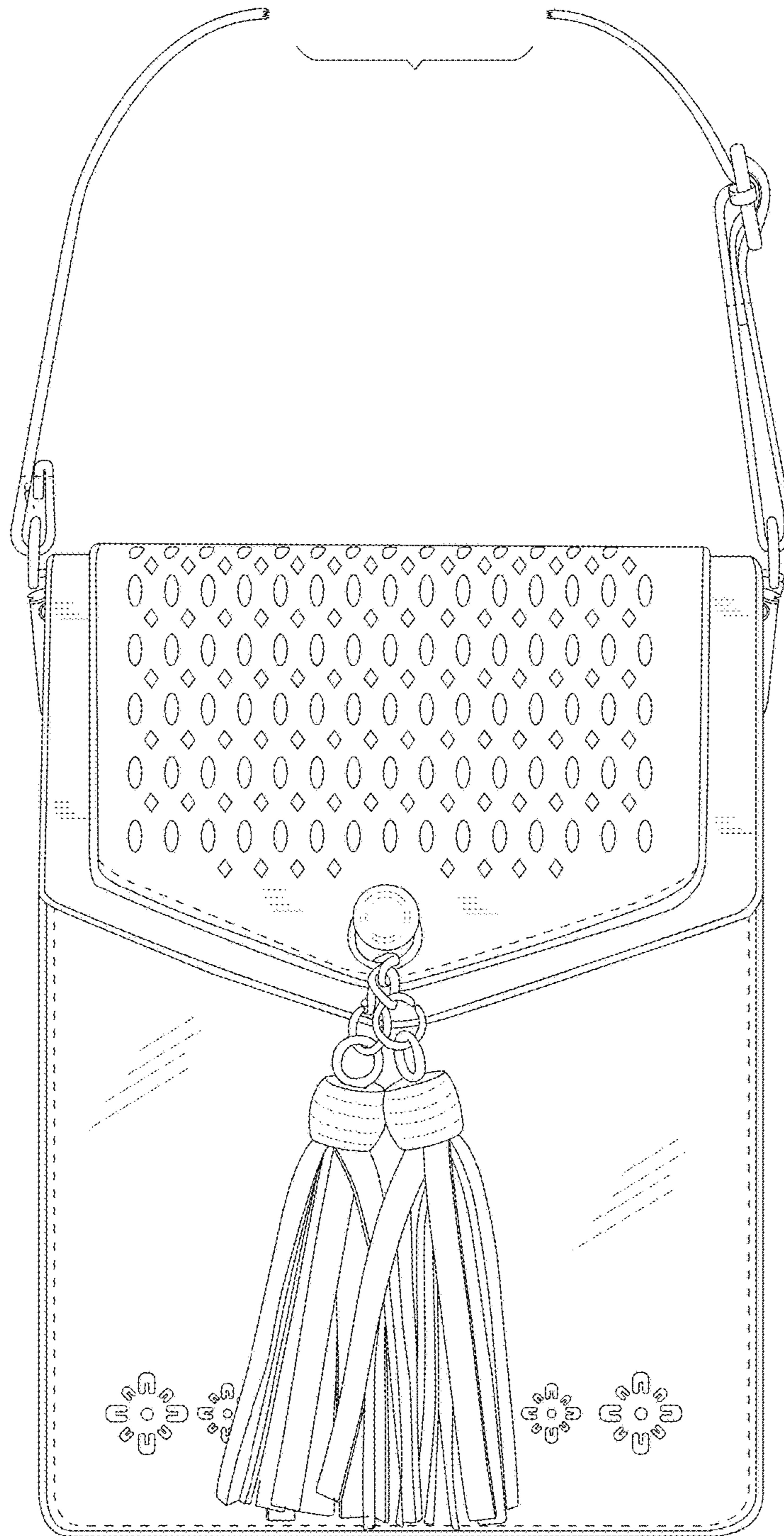


FIG.3

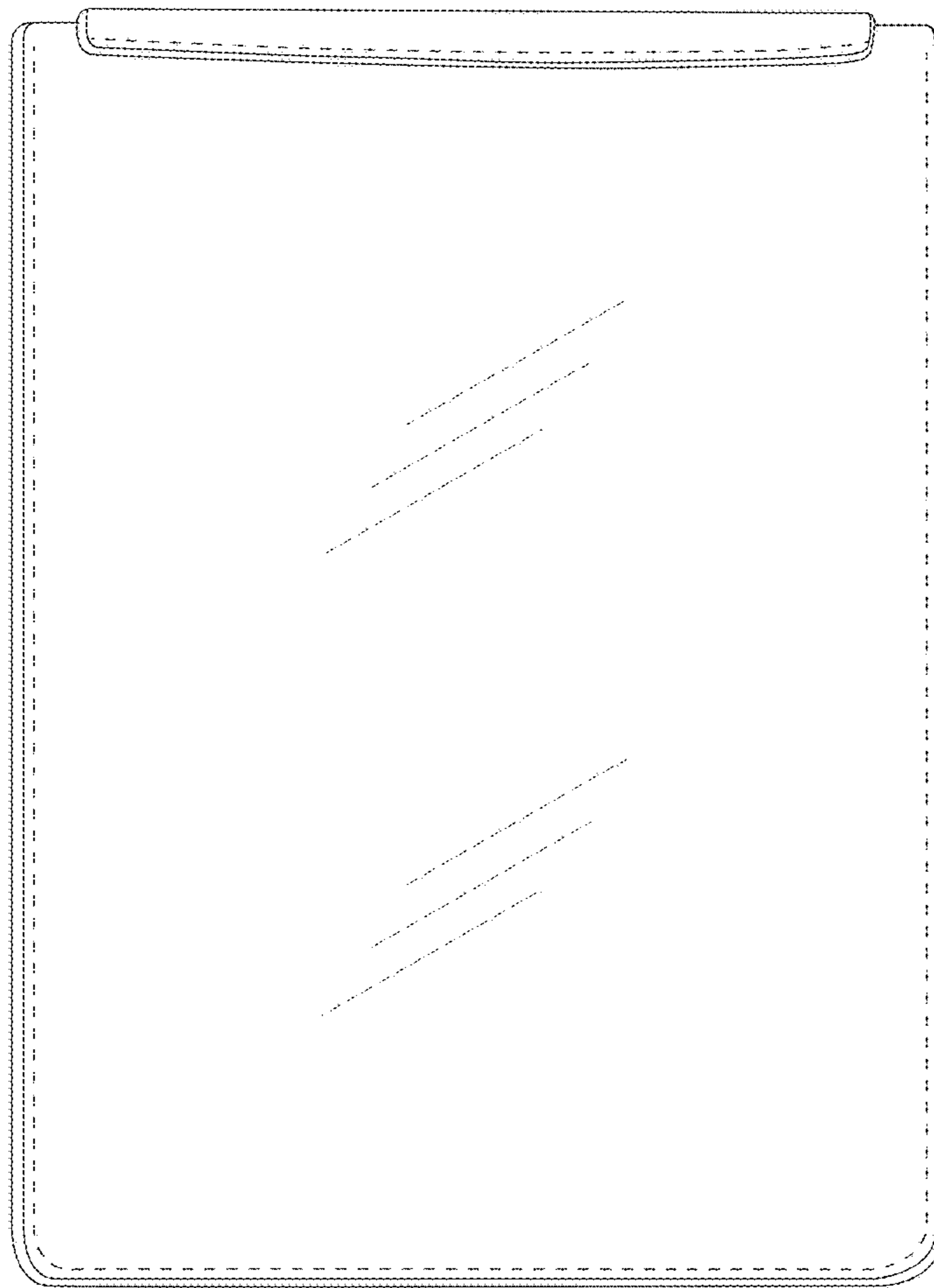


FIG.4

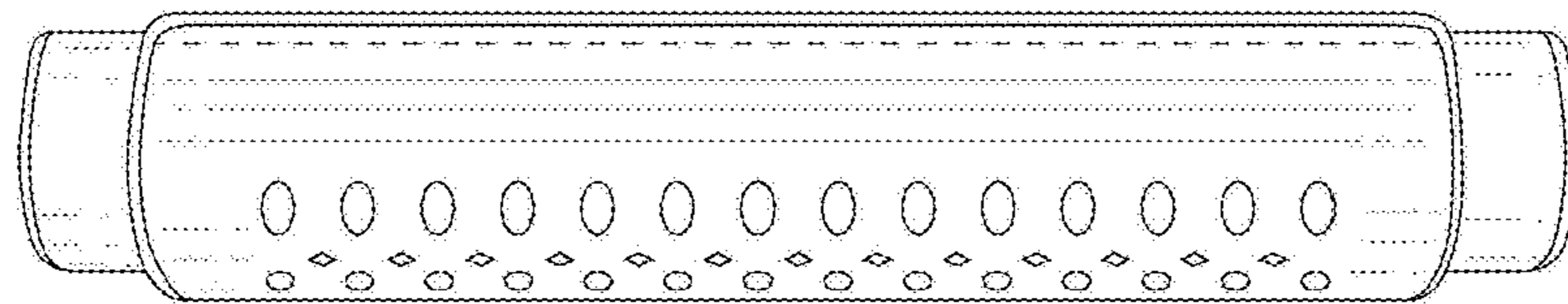


FIG.5

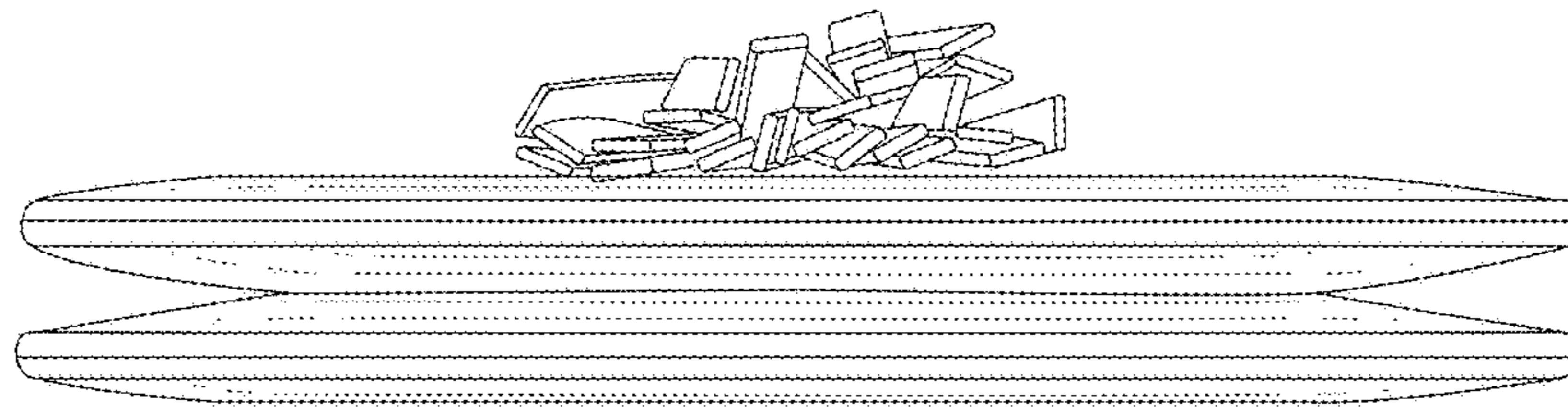


FIG.6

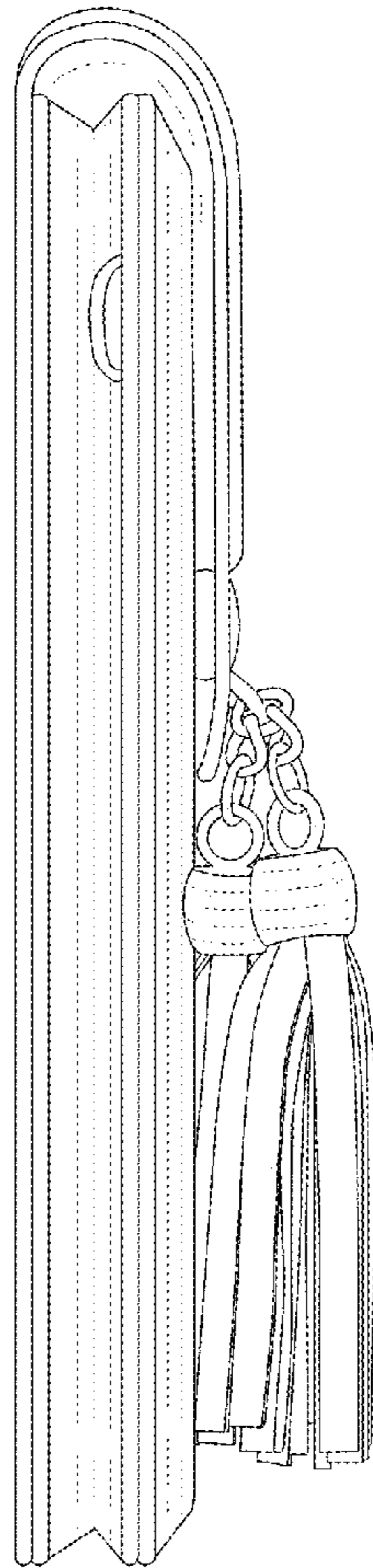


FIG.7

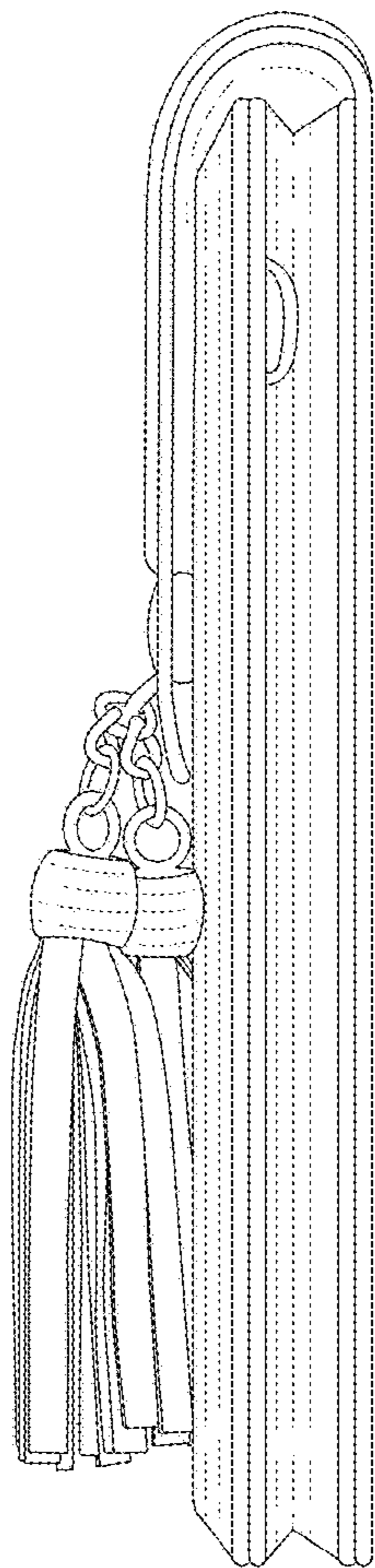


FIG.8

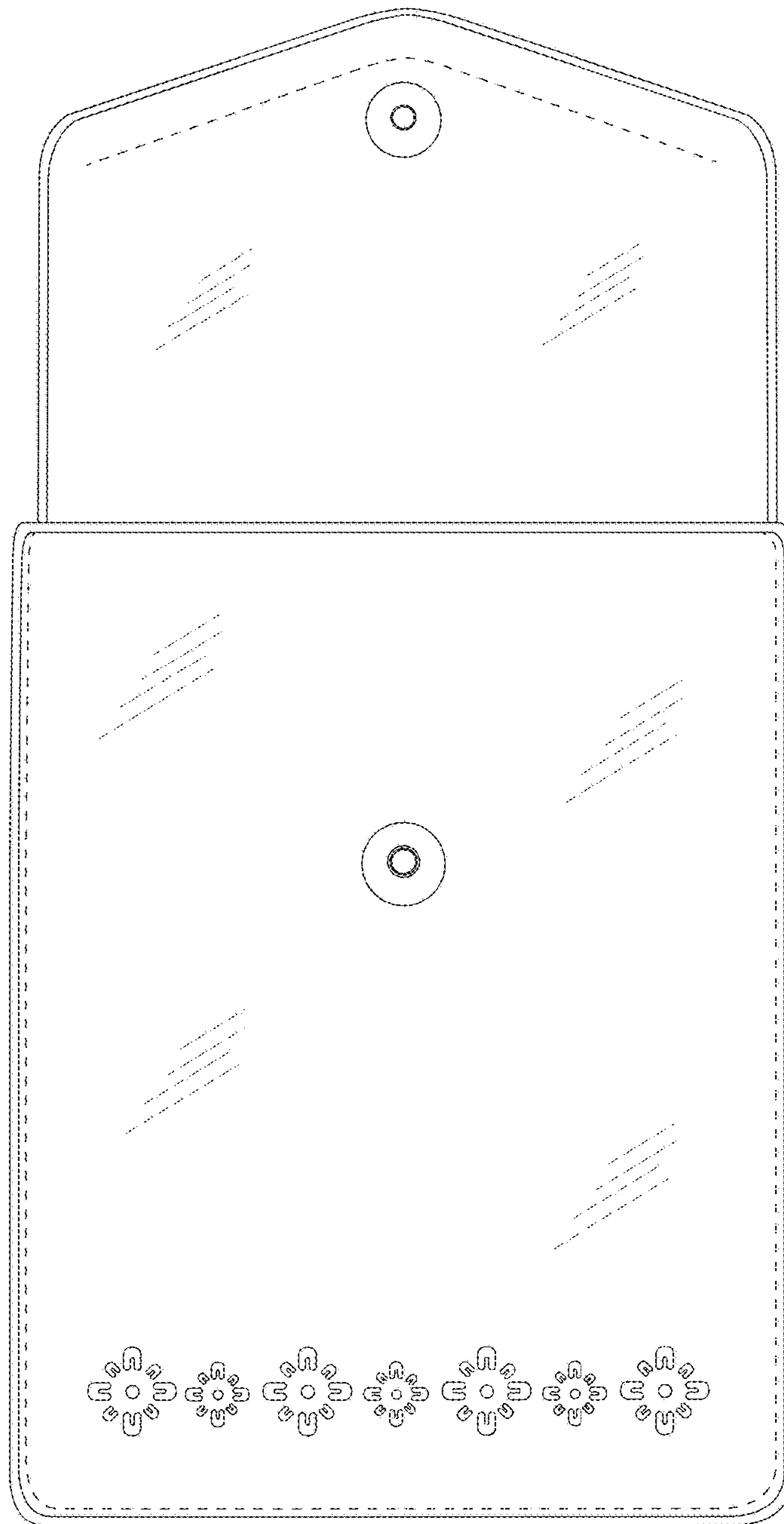


FIG.9

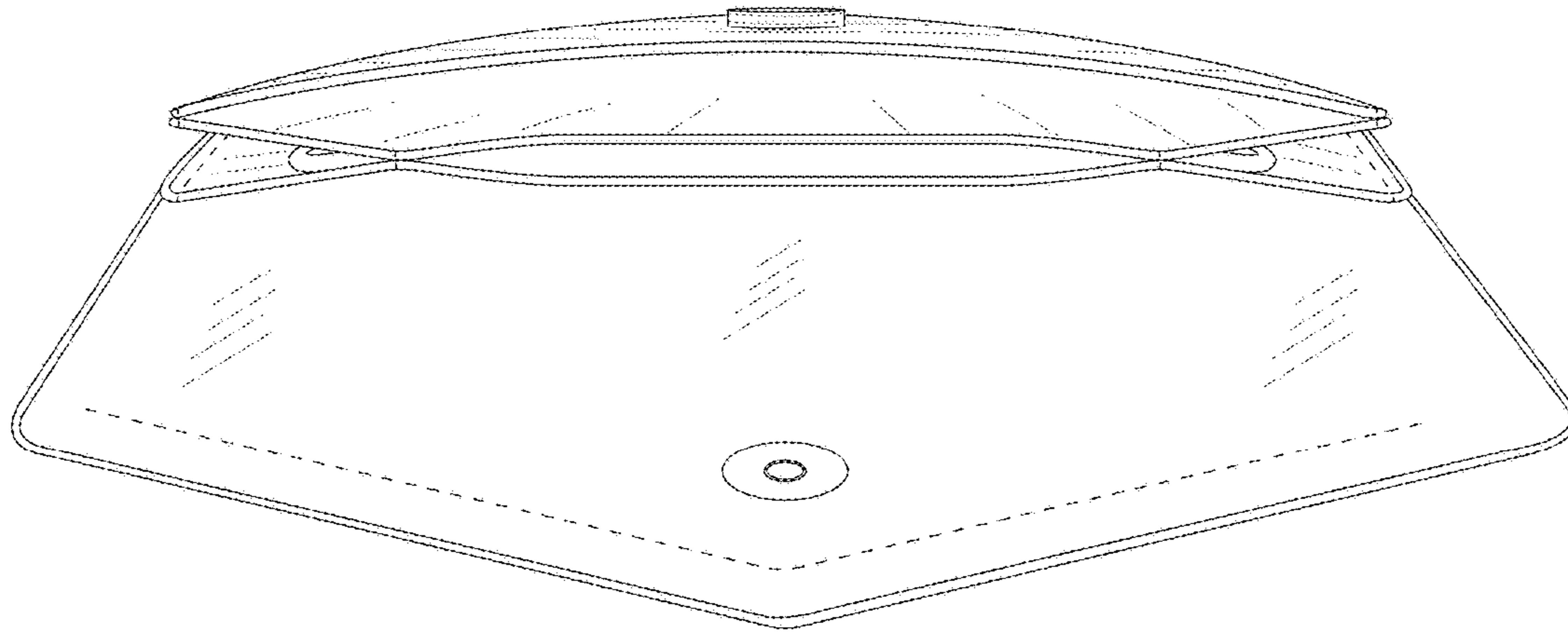


FIG.10

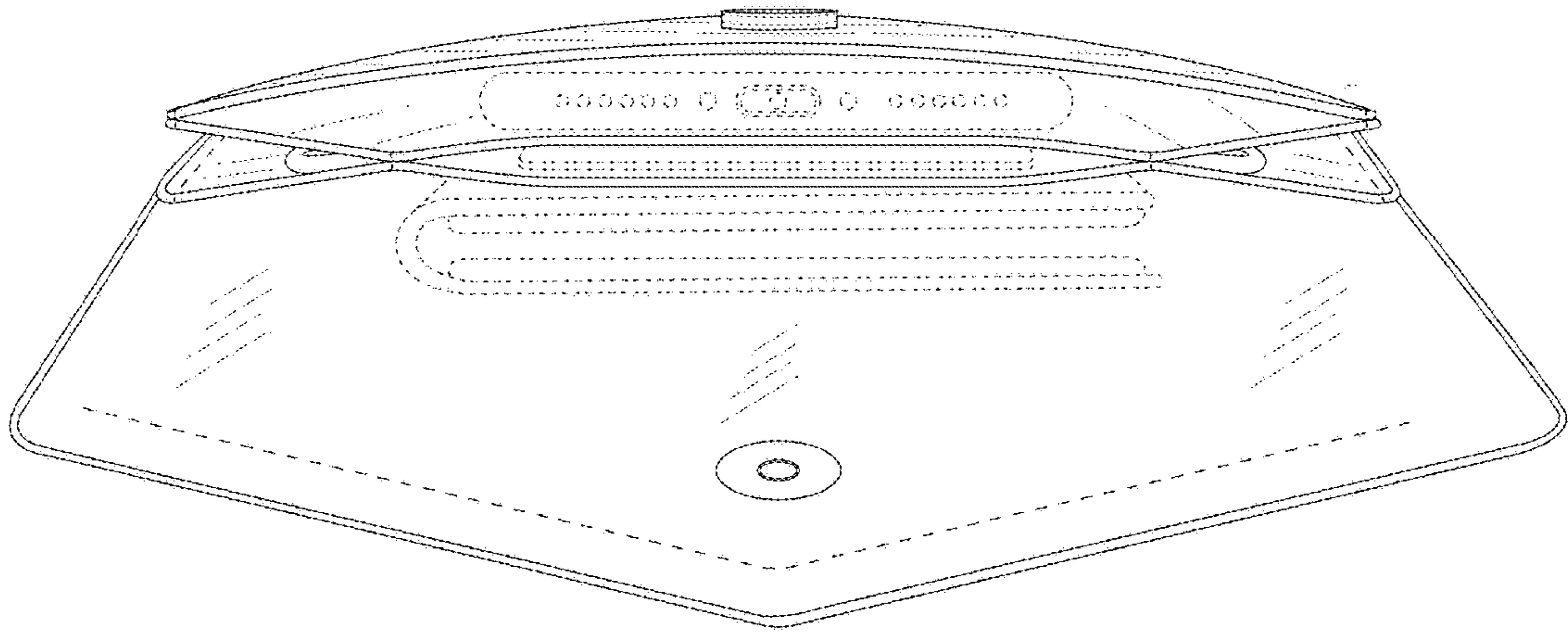


FIG.11



FIG.12