

US00D847494S

(12) **United States Design Patent** (10) **Patent No.:** **US D847,494 S**  
**Tang** (45) **Date of Patent:** **\*\* May 7, 2019**

(54) **BACKPACK**  
(71) Applicant: **Song Tang**, Shenzhen (CN)  
(72) Inventor: **Song Tang**, Shenzhen (CN)  
(\*\*) Term: **15 Years**  
(21) Appl. No.: **29/617,236**  
(22) Filed: **Sep. 13, 2017**  
(51) **LOC (11) Cl.** ..... **03-01**  
(52) **U.S. Cl.**  
USPC ..... **D3/217**  
(58) **Field of Classification Search**  
USPC ..... D3/215–217, 273, 289, 290, 318, 321,  
D3/322, 323  
CPC .. A45F 3/04; A45F 3/042; A45F 3/047; A45F  
3/08; A45F 3/10; A45F 3/14; A45F 4/02;  
A45F 4/08; A45F 2200/05; A45F  
2200/0525; A45C 13/08; A45C 13/083  
See application file for complete search history.

(56) **References Cited**  
U.S. PATENT DOCUMENTS

D271,350 S \* 11/1983 Robbins ..... D3/208  
5,361,951 A \* 11/1994 Chehebar ..... A45F 3/04  
150/103  
D374,979 S \* 10/1996 Roberson ..... D3/217  
D426,056 S \* 6/2000 Gaines ..... D3/217  
D432,298 S \* 10/2000 Markowitz ..... D3/216  
D446,009 S \* 8/2001 Mandell ..... D3/216  
D547,941 S \* 8/2007 Lucena ..... D3/217  
D677,881 S \* 3/2013 Hedaya ..... D3/217  
D718,937 S \* 12/2014 Nishimoto ..... D3/318  
D742,631 S \* 11/2015 Kim ..... D3/217  
D752,856 S \* 4/2016 Marez ..... D3/217  
D790,849 S \* 7/2017 Fusi ..... D3/217  
D804,167 S \* 12/2017 Shaholli ..... D3/216  
2005/0013128 A1\* 1/2005 Worthington ..... A45C 15/06  
362/84  
2005/0045673 A1\* 3/2005 Godshaw ..... A45C 7/0036  
224/153

2007/0153503 A1\* 7/2007 Feng ..... A45C 15/06  
362/156  
2008/0314948 A1\* 12/2008 Cohen ..... A45C 13/103  
224/645  
2013/0026726 A1\* 1/2013 Thomas ..... A45C 5/14  
280/43.1  
2016/0007719 A1\* 1/2016 Harstvedt ..... A45F 3/04  
224/645  
2016/0350639 A1\* 12/2016 Tere ..... A45C 11/00  
(Continued)

OTHER PUBLICATIONS

712 Backpack, posted at henribendel.com, no posting date available, online, URL: [https://www.henribendel.com/us/712-backpack-400002264286.html?pid=400002264286&gclid=CjwKCAjwyrvaBRACEiwAcyuzROm3QeEr7EUIN8mh1bjV6IvLDkbbkO5Vs\\_ljNHD2Zo0iDL5ioYzk3RoCaOcQAvD\\_BwE&gclid=aw.ds](https://www.henribendel.com/us/712-backpack-400002264286.html?pid=400002264286&gclid=CjwKCAjwyrvaBRACEiwAcyuzROm3QeEr7EUIN8mh1bjV6IvLDkbbkO5Vs_ljNHD2Zo0iDL5ioYzk3RoCaOcQAvD_BwE&gclid=aw.ds) (Year: 2018).\*

(Continued)

Primary Examiner — Anhdao Doan  
Assistant Examiner — Mary Shannon Malley

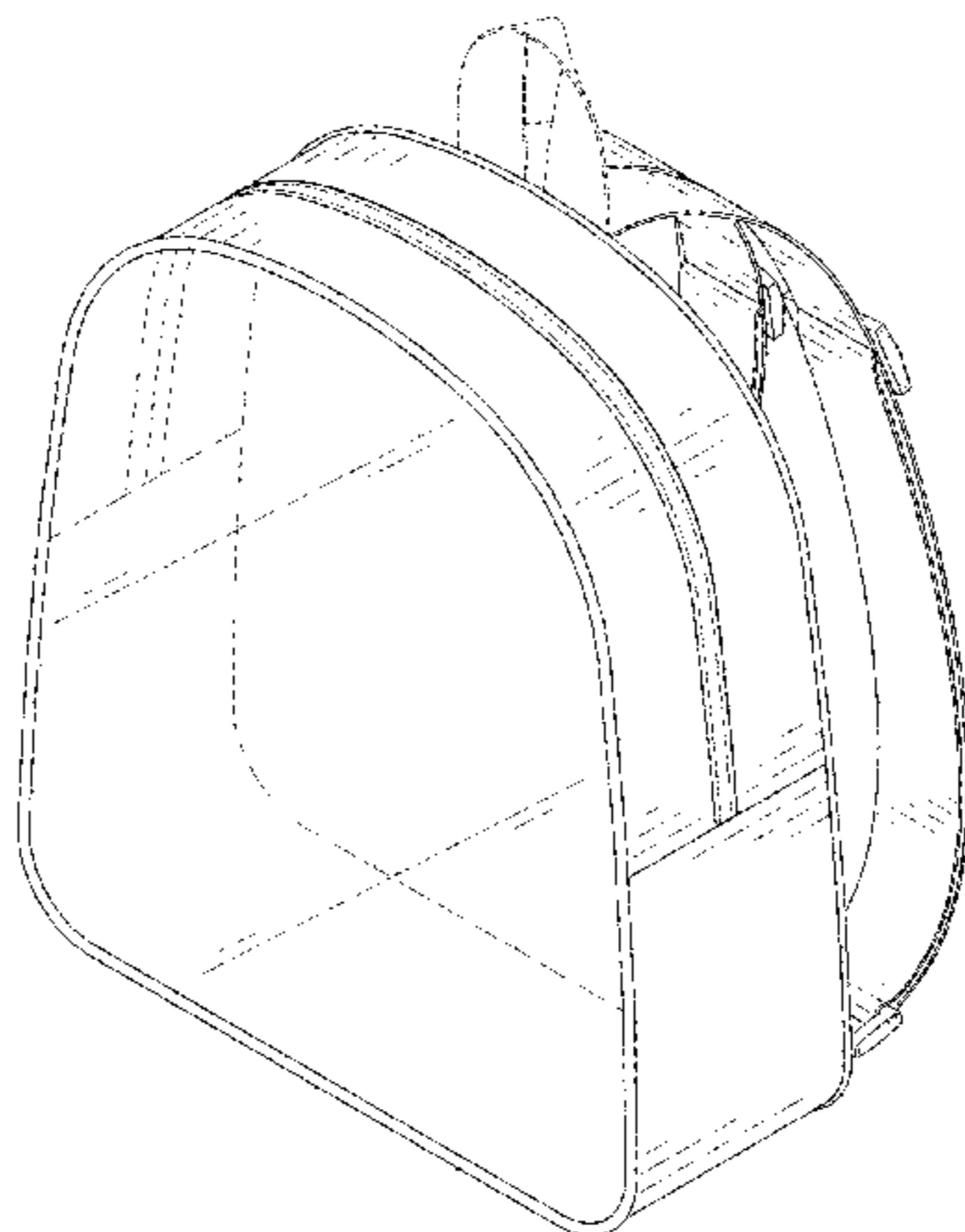
(57) **CLAIM**

The ornamental design for a backpack, as shown and described.

**DESCRIPTION**

FIG. 1 is a front side perspective view of the backpack showing my new design;  
FIG. 2 is a rear right side perspective view thereof;  
FIG. 3 is a front elevational view thereof;  
FIG. 4 is a rear elevational view thereof;  
FIG. 5 is a right side elevational view thereof;  
FIG. 6 is a left side elevational view thereof;  
FIG. 7 is a top view thereof; and,  
FIG. 8 is a bottom view thereof.  
The broken lines showing stitching form no part of the claimed design. All other broken lines show portions of the backpack that form no part of the claimed design.

**1 Claim, 8 Drawing Sheets**



(56)

**References Cited**

U.S. PATENT DOCUMENTS

2017/0071318 A1\* 3/2017 Alexis ..... A45F 3/04  
2017/0196344 A1\* 7/2017 Nakamura ..... A45C 13/08

OTHER PUBLICATIONS

Cute Boy Backpacks, [cgbackpacks.com](http://cgbackpacks.com), posted Aug. 4, 2017, online, URL: <https://cgbackpacks.com/cg/cute-boy-backpacks-3858/> (Year: 2017).\*

2017 Transparent Laser Backpacks, posted at [aliexpress.com](http://aliexpress.com), no posting dated available, online, URL: <https://www.aliexpress.com/item/2017-Summer-Hot-Women-Transparent-Laser-Backpacks-Girl-Fashion-Colorful-Beads-School-Bag-Lady-Casual-Travel/32822156750.html?> (Year: 2018).\*

Backpack: Kaki, posted at [savemybag.com](http://savemybag.com), no posting date available, online, URL: <https://savemybag.com.au/collections/bags/products/backpack-army-green> (Year: 2018).\*

Betsey Johnson Clear as Can Be Backpack, posted at [belk.com](http://belk.com), available Jul. 20, 2017, online, URL: <https://www.belk.com/p/betsey-johnson-clear-as-can-be-backpack/2600854BJ68330N.html> (Year: 2017).\*

\* cited by examiner

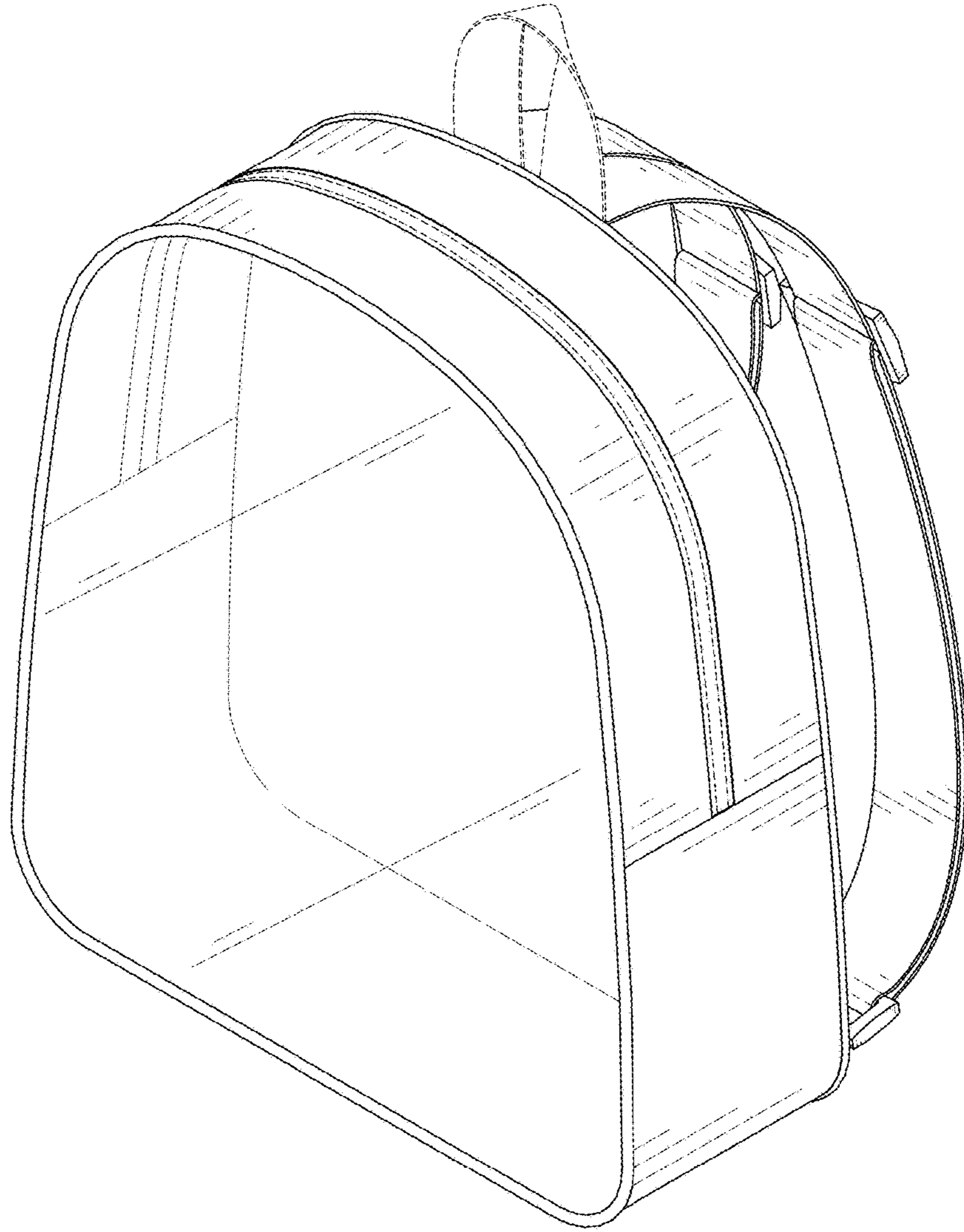


FIG. 1

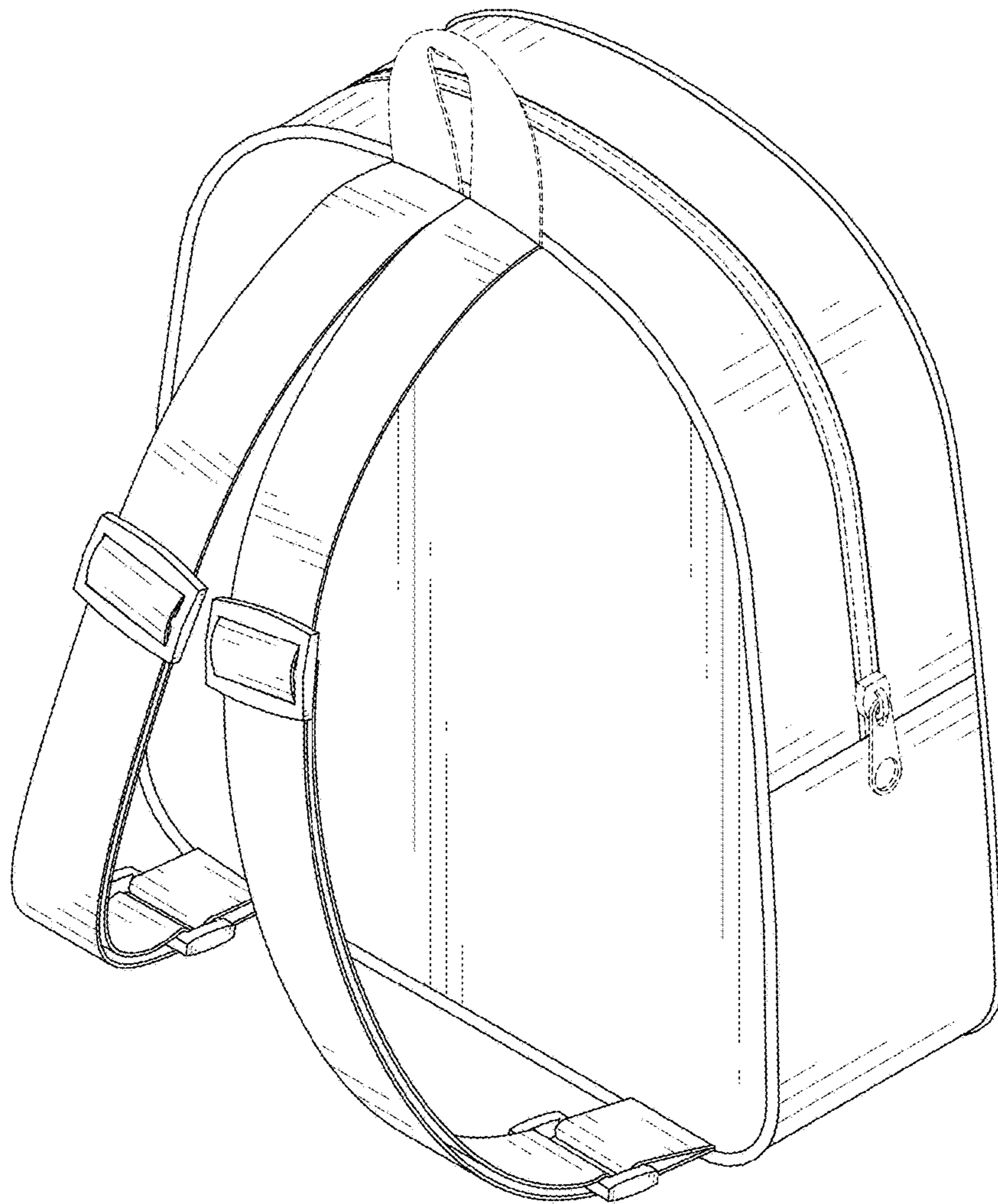


FIG. 2

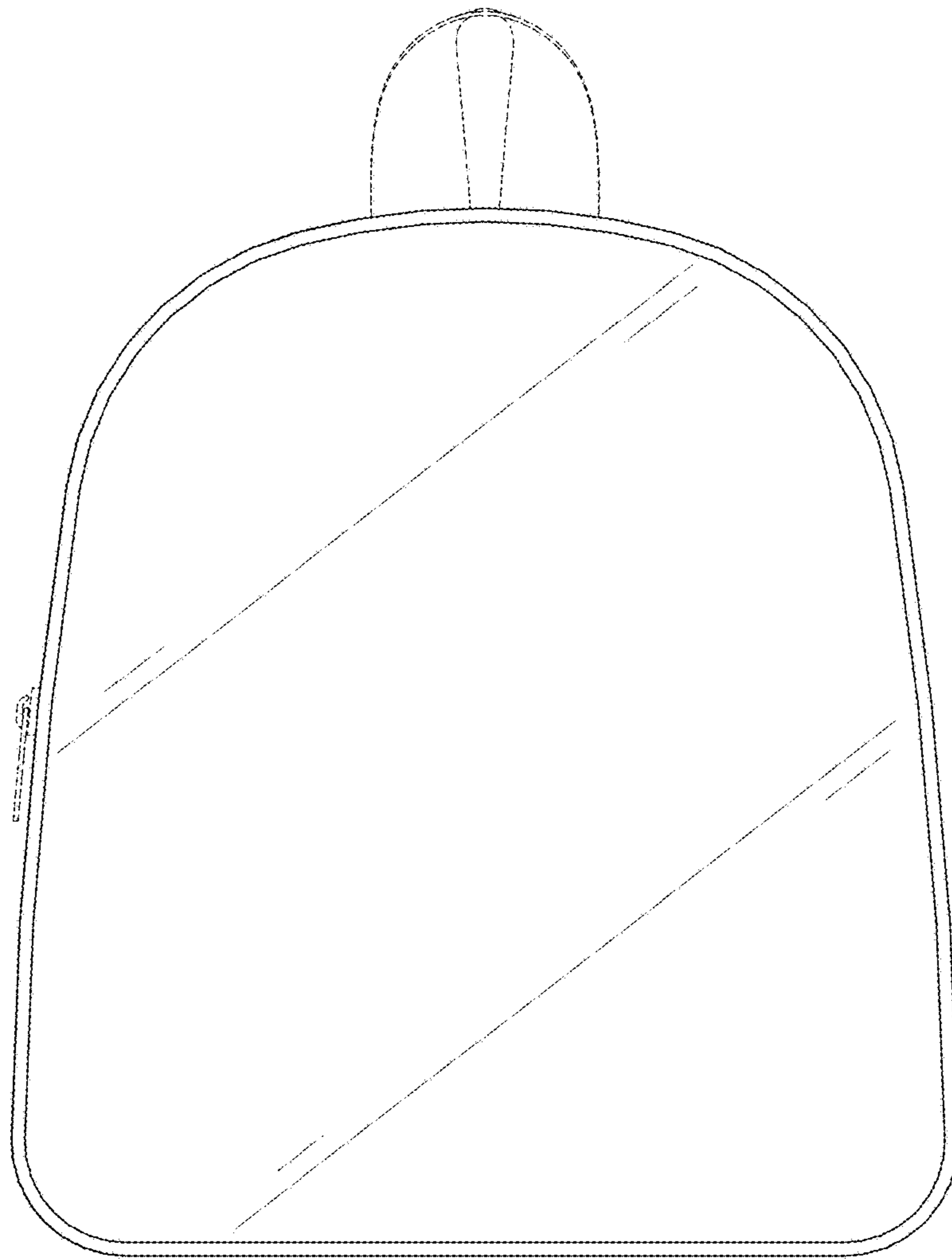


FIG. 3

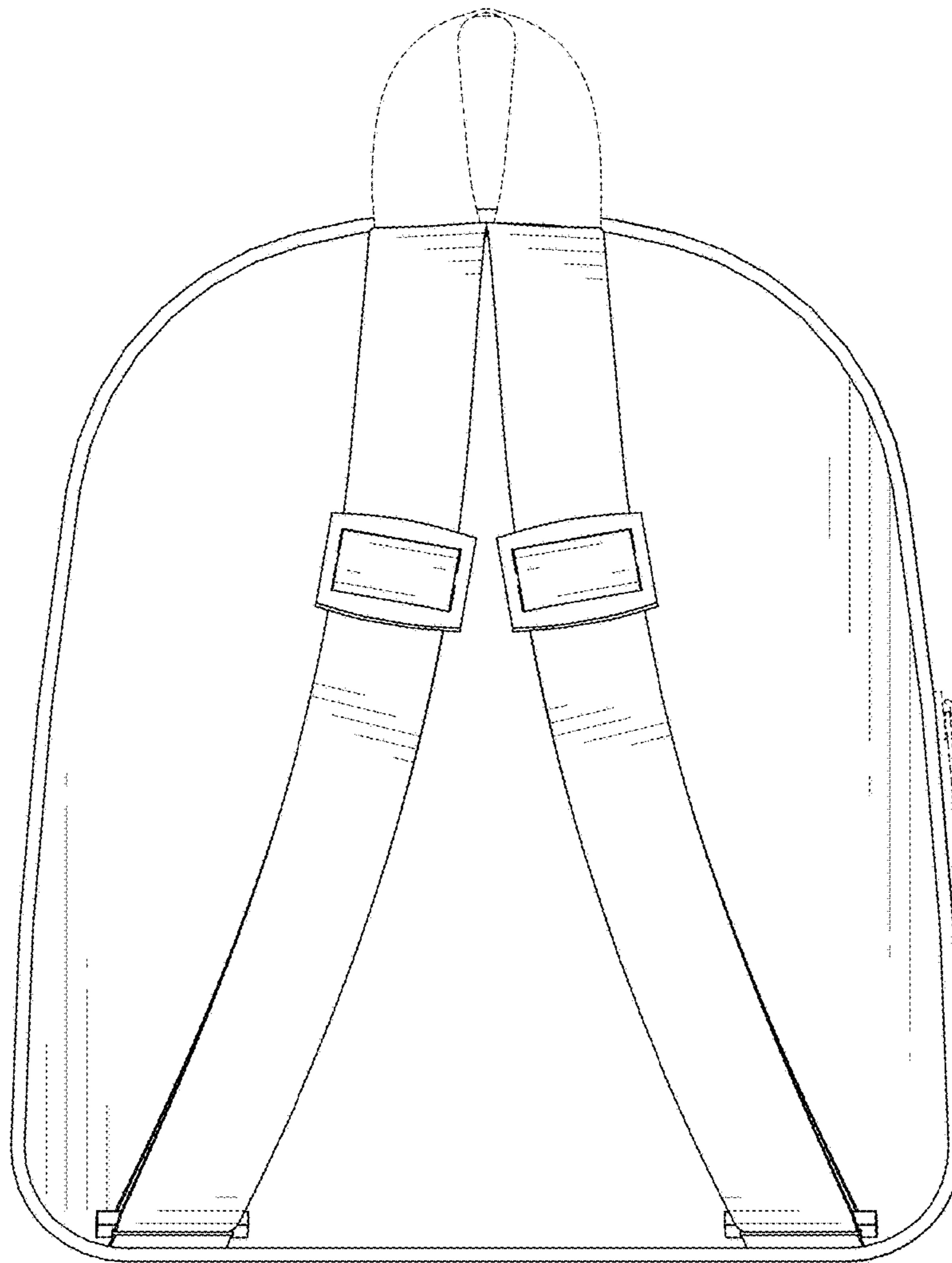


FIG. 4

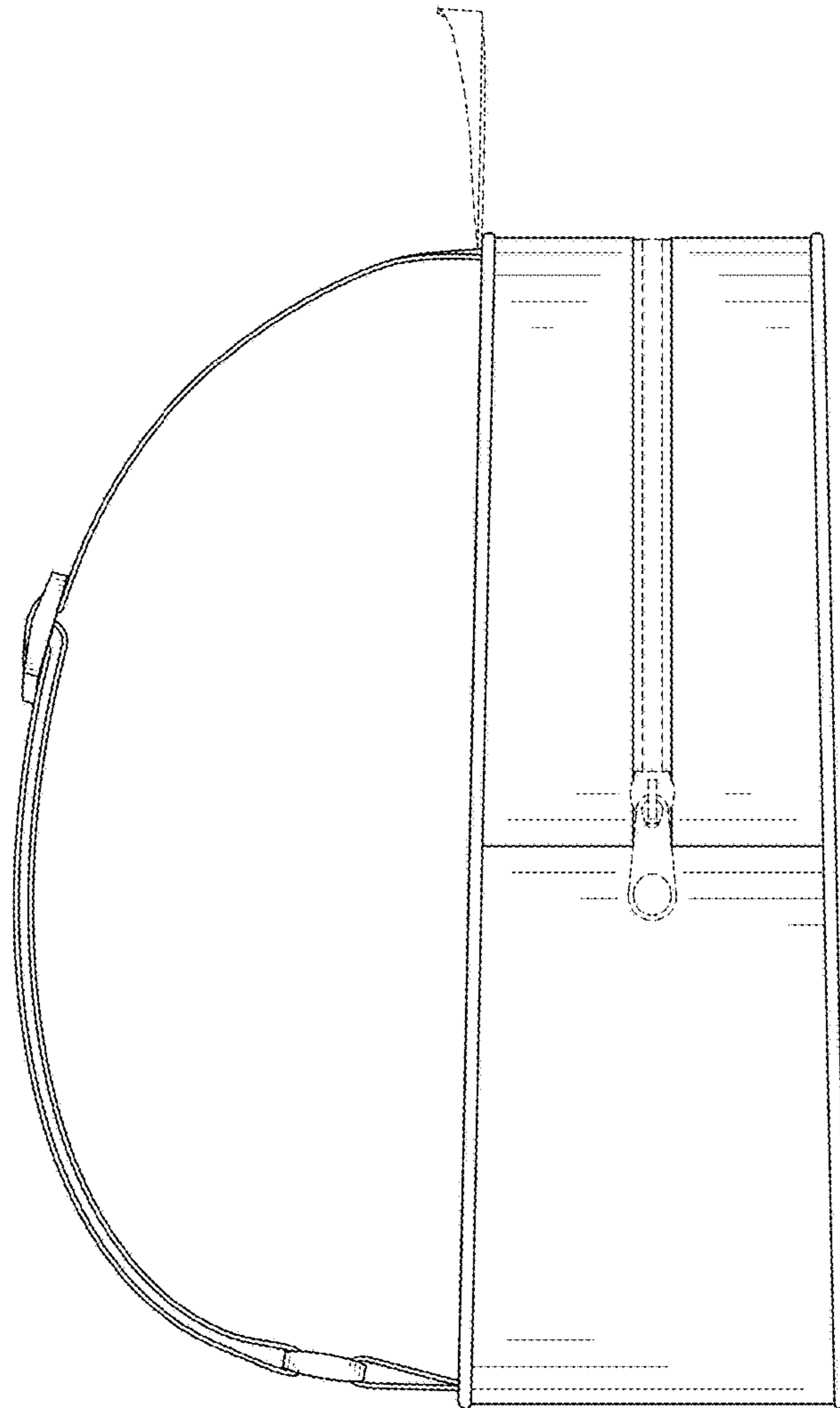


FIG. 5

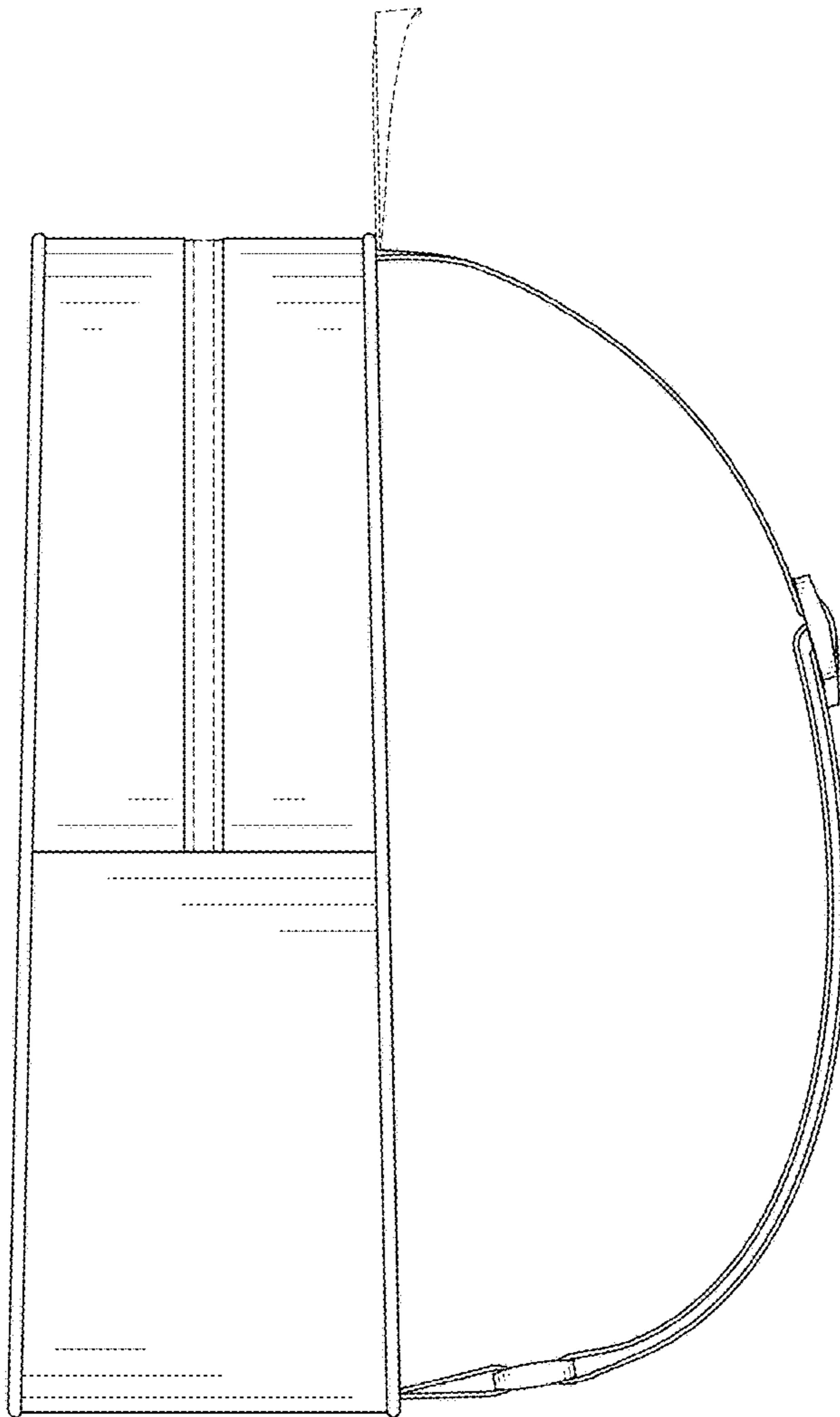


FIG. 6



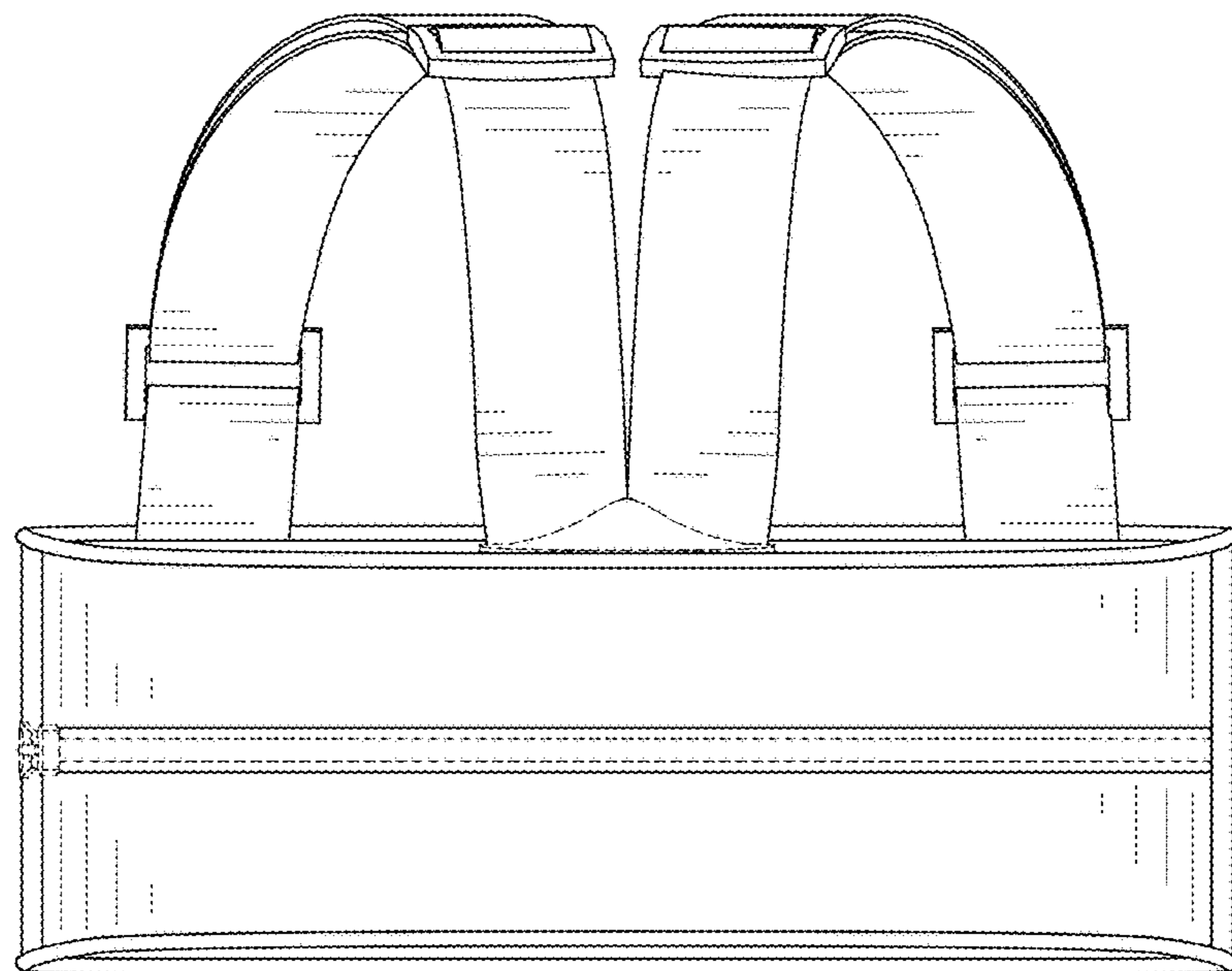


FIG. 7

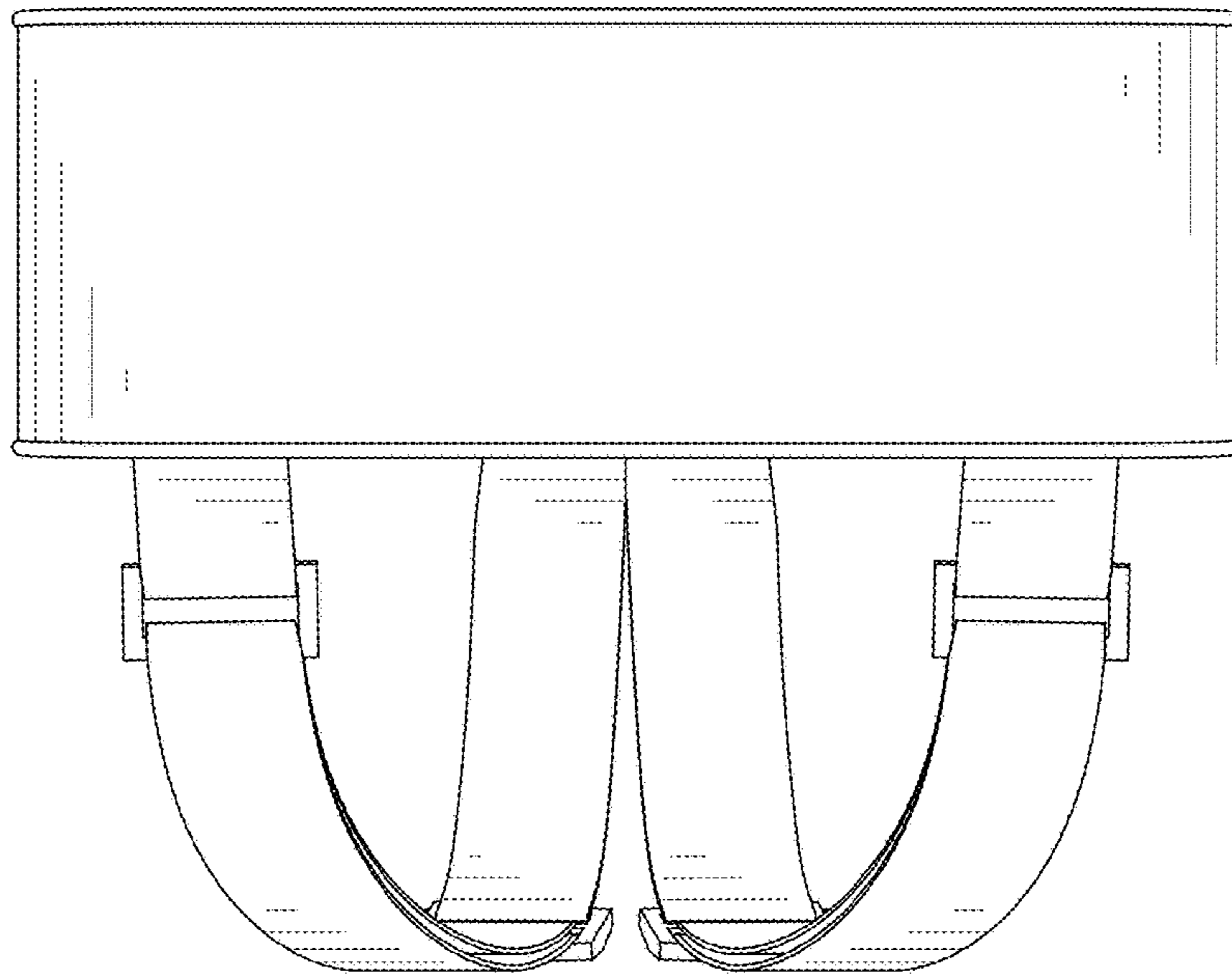


FIG. 8